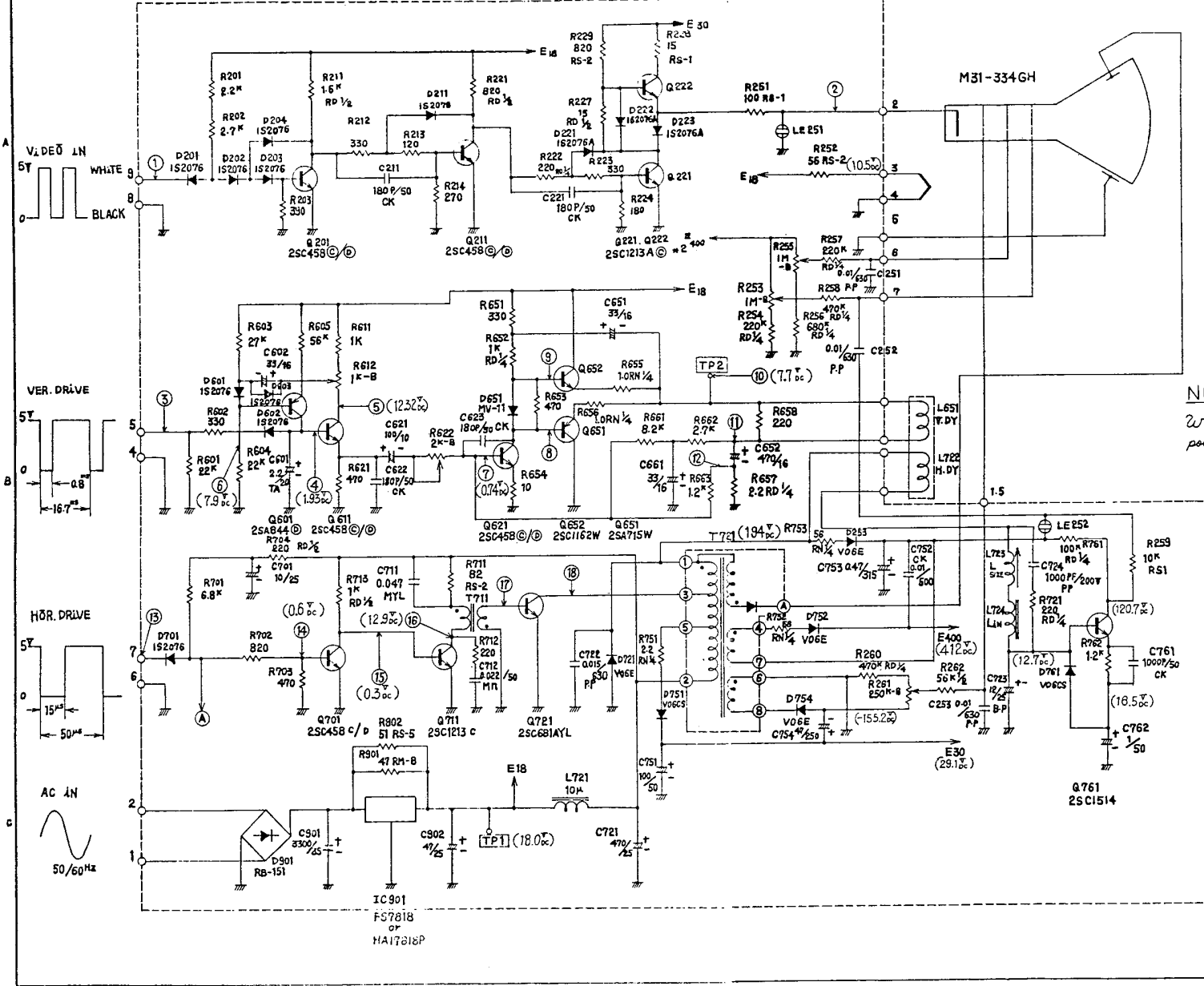


BASIC CIRCUIT DIAGRAM (CDU-B80-CMD12)



| | | | |
|------------------|-----------------|------|---|
| commodore | PCB SCHEMATIC | REV | 1 |
| | 12" CRT DISPLAY | SIZE | B |
| SCALE NONE | SHEET 1 | OF 1 | |

NOTES
 Waveforms are measured at the points indicated with Ⓢ

