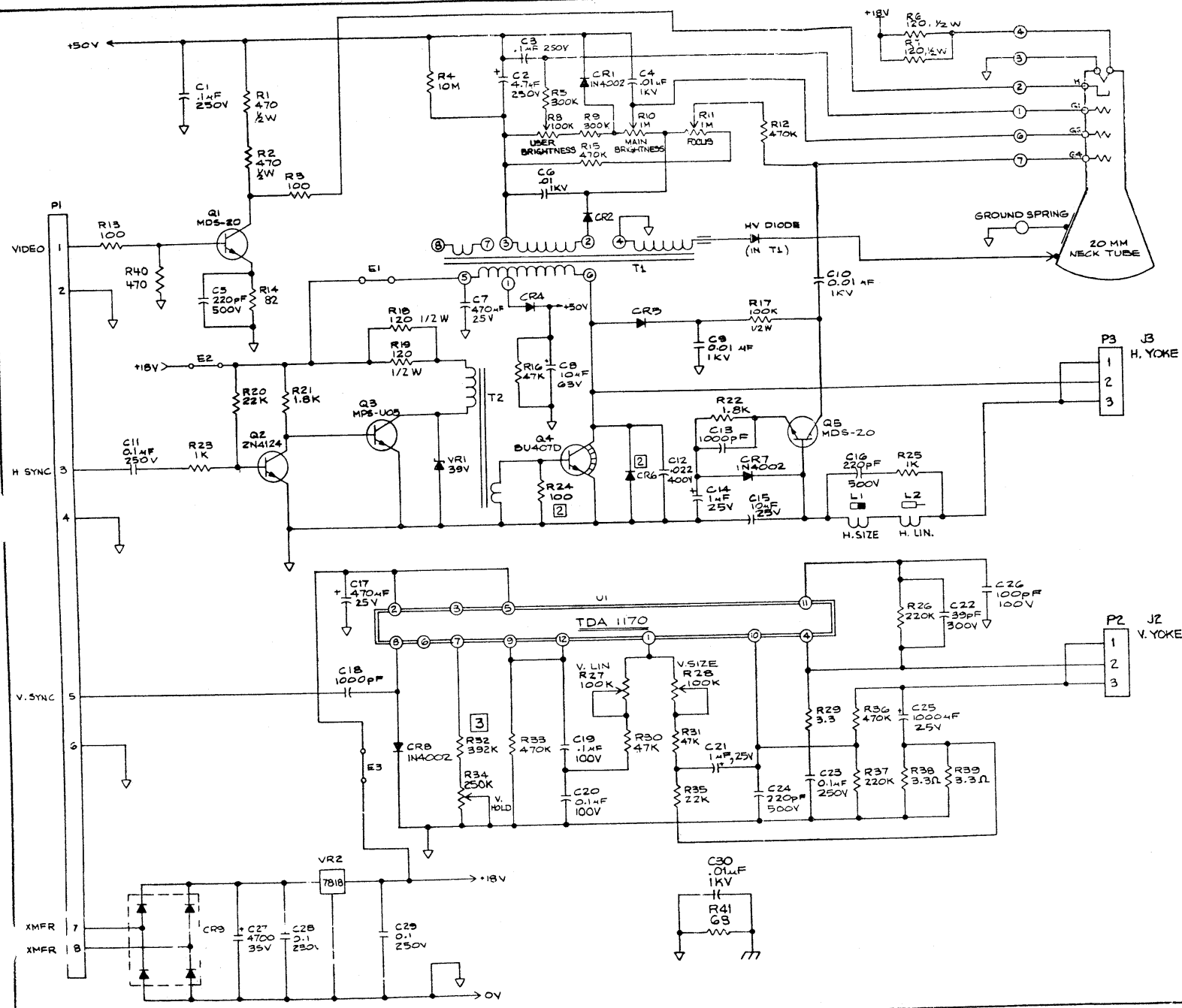


REVISIONS				
LTR	ZONE	DESCRIPTION	DATE	APPROVED
1		ENG RELEASE		
A		PRODUCTION RELEASE	3/1/80	B. PULL
B		REVISED PER ECO # 1624	7-11-80	[Signature]
C		REVISED PER ECO # 1632	7-11-80	[Signature]
D		REV PER ECO 1738	7-11-80	[Signature]
E		REV PER ECO 1752	8-4-80	[Signature]
F		REV PER ECO 1796	8-4-80	[Signature]
G		REV PER ECO 1817	8-4-80	[Signature]



- [3] AS A SUBSTITUTE A 383K OR 402K MAY BE USED FOR R32.
 - [2] ADD R24 & CR6 AS A SUBSTITUTE.
1. ALL RESISTOR VALUES ARE IN OHMS ±5%, ¼-W.
- NOTES; UNLESS OTHERWISE SPECIFIED:

-01 SHOWN		DRAWN BY		DATE
UNLESS OTHERWISE SPECIFIED	TOLERANCES ON ORIGINALS	ENG. 25%	APP. 100%	
MATERIAL	USED ON	NET ASSEMBLY		
PET 8032	8032033			
8016				
commodore			SCHEMATIC	
			DIAGRAM - DISPLAY 12"	
			SIZE	REV
			D 8032034	G
			SCALE	SHEET 1 OF 1