

Monochrome Monitor Tubes and Deflection Units

B | 0 | 0 | K | | D | C | 0 | 2 | | 1 | 9 | 8 | 9 |

Philips Components



PHILIPS

MONOCHROME MONITOR TUBES AND DEFLECTION UNITS

	<i>page</i>
Selection guide	
Monochrome monitor tubes	4
Flat square monochrome monitor tubes	5
Flat monochrome monitor tubes	6
Deflection units for monochrome monitor tubes	6
Recommended combinations for monochrome monitor tubes	8
General	
List of symbols	11
General operational recommendations	13
General data on monochrome monitor tubes	19
Type designation	27
Resolution characteristics for the new generation mark 2 gun	29
New generation mark 2 gun	33
Reference line gauges	43
Bases	45
Device specifications	
Monochrome monitor tubes	47
Deflection units for monochrome monitor tubes	337

SELECTION GUIDE

MONOCHROME MONITOR TUBES

face diagonal	type	deflection angle	useful screen diagonal mm	neck diameter mm	max. overall length mm	V _f /I _f V/mA	V _a kV	V _{g2} V	resolution (approx.) (number of lines)	page
24 cm (9 in)	M24-306	90°	222.5	20	227	12/130	12	400	1300	49
	M24-308									
	M24-310									
	M24-328									
24 cm (9 in)	M24-322	90°	222.5	20	227	12/75	12	400	1300	63
	M24-326									
	M24-330									
	M24-514W									
31 cm (12 in)	M31-340	90°	295	20	277	12/130	12	400	1300	135
	M31-342									
	M31-344									
	M31-346									
	M31-348									
	M31-362									
	M31-364									
	M31-366									
31 cm (12 in)	M31-336	90°	292	20	280	12/130	12	400	1300	121
	M31-338									
	M31-350									
	M31-354									
34 cm (14 in)	M31-380	90°	295	20	277	12/75	12	400	1300	151
	M31-382									
	M32EAA									
	M32EBF									
34 cm (14 in)	M32EAB	90°	322	20	287	12/130	14	400	1300	201
	M32EAK									

face diagonal	type	deflection angle	useful screen diagonal mm	neck diameter mm	max. overall length mm	V _f /I _f V/mA	V _a kV	V _{g2} V	resolution (approx.) (number of lines)	page
38 cm (15 in)	M38-328	110°	352	28.6	279	6.3/240	17	400	1500	285
	M38-330									
	M38-334									
	M38-336									
	M38-338									
M38-342										
44 cm (17 in)	M38-346	110°	352	28.6	279	12/130	17	400	1500	301
	M38-348									
50 cm (20 in)	M41EAA	114°	413	28.6	302	6.3/240	20	400	1500	313
	M47EAA	114°	473	28.6	330	6.3/240	20	400	1400	325

FLAT SQUARE MONOCHROME MONITOR TUBES

31 cm (12 in)	M29EAA	90°	294	20	275	12/130	12	400	1300	97
	M29EAB									
36 cm (15 in)	M29ECA	90°	294	20	275	12/75	12	400	1300	109
	M29ECB									
	M36ECJ	110°	363	28.6	276	6.3/240	17	400	1500	273

FLAT MONOCHROME MONITOR TUBES

face diagonal	type	deflection angle	useful screen diagonal mm	neck diameter mm	max. overall length mm	V _f /I _f V/mA	V _a kV	V _{g2} V	resolution (approx.) (number of lines)	page
34 cm (14 in)	M32EBJ	90°	320	20	282	12/130	14	400	1300	225
	M32EBL		320	20	282	12/130	14	400	1300	261
	M32ECB	90°	320	20	282	12/75	14	400	1300	237
	M32EBM	90°	320	20	282	12/130	14	400	1300	249
	M32EBN		320	20	282	12/130	14	400	1300	249

DEFLECTION UNITS FOR MONOCHROME MONITOR TUBES

tube face diagonal	type	deflection angle	tube neck diameter mm	line coils				field coils				sensitivity		page
				inductance μH	resistance Ω	inductance mH	resistance Ω	at EHT kV	line A(p-p)	field A(p-p)	raster scan current			
												inductance μH	resistance Ω	
31 cm (12 in) landscape	AT1039/03	110°	28.6	228.5*	0.41*	9.18*	10.2*	17	7.34	1.03	355			
36 cm (15 in) portrait	AT1039/20**	110°	28.6	233*	0.38*	8.80*	10.0*	17	5.66	1.32	379			
36 cm (15 in) landscape	AT1039/21**	110°	28.6	205*	0.35*	9.50*	10.4*	17	7.64	0.95	379			
38 cm (15 in) portrait	AT1039/00	110°	28.6	225*	0.39*	9.18*	10.2*	17	5.60	1.15	347			
38 cm (15 in) landscape	AT1039/01 AT1039/05	110° 110°	28.6 28.6	206* 107.5*	0.38* 0.18*	9.60* 9.50*	10.5* 10.4*	17 17	7.55 10.50	0.90 0.95	347 363			

tube face diagonal	type	deflection angle	tube neck diameter	line coils		field coils		sensitivity		page	
				inductance μH	resistance Ω	inductance mH	resistance Ω	at EHT kV	line A(p-p)		raster scan current field A(p-p)
41/47 cm (17/20 in) portrait	AT1039/08	110°	28.6	230*	0.39*	9.30*	10.4*	20	6.27	1.39	371
41/47 cm (17/20 in) landscape	AT1039/09	110°	28.6	213*	0.37*	9.50*	10.5*	20	8.16	1.08	371
	AT1039/39	110°	28.6	111*	0.18*	9.50*	10.4*	17.5	11.00	1.04	387
41/47 cm (17/20 in) high frequency landscape	AT1037/01	110°	28.6	72	0.15	12.2	13.5	17.5	13.10	0.87	339

* Coils can be connected in series or parallel. The indicated values apply to parallel-connected line coils, and series connected field coils.
** For flat square application.

RECOMMENDED COMBINATIONS FOR MONOCHROME
DATA GRAPHIC DISPLAYS

Design designation	C64, C64-FS	C64, C64-FS	C64-LITZE
Deflection angle	110°	110°	110°
Format	landscape	portrait	landscape
Tube			
12-inch	M31-326	—	—
15-inch	M38-328	M38-328	—
15-inch FS	M36ECJ	M36ECJ	—
17-inch	M41EAA	M41EAA	M41EAA
20-inch	M47EAA	M47EAA	M47EAA
Deflection unit			
12-inch	AT1039/03	—	—
15-inch	AT1039/01	AT1039/00	—
15-inch FS	AT1039/21	AT1039/20	—
17-inch	AT1030/09	AT1039/08	AT1037/01
20-inch	AT1039/09	AT1039/08	AT1037/01
Line output transformer	AT2077/84*	AT2077/84*	AT2077/84*
Linearity control	AT4042/33A	AT4042/33A	AT4042/33A
Line driver transformer	AT4043/64	AT4043/64	AT4043/64
Shift transformer	AT4043/29	AT4043/29	AT4043/29
Width control	AT4044/35	AT4044/35	AT4044/35
Characters per line	100 - 132	100 - 132	100 - 132
Supply voltage (V)	30 - 120	30 - 120	30 - 120
EHT (kV)	17 - 20	17	18
Line frequency (kHz)	15 - 50	15 - 70	15 - 70

* EHT cable, catalogue number 3122 137 63370, to be ordered separately.

GENERAL

LIST OF SYMBOLS

Symbols denoting electrodes/elements and electrode/element connections

f	Heater
k	Cathode
g	Grid: Grids are distinguished by means of an additional numeral; the electrode nearest to the cathode having the lowest number.
a	Anode
m	External conductive coating
m ¹	Rimband or tension band (T-band)
ℓ	Fluorescent screen
i.c.	Tube pin which must not be connected externally
n.c.	Tube pin which may be connected externally

Symbols denoting voltages

Unless otherwise stated, the reference point for electrode voltages is the cathode.

V	Symbol for voltage, followed by a subscript denoting the relevant electrode/element
V _f	Heater voltage
V _(p-p)	Peak-to-peak value of a voltage
V _p	Peak value of a voltage
V _{GR}	Grid 1 voltage for visual extinction of focused raster (grid drive service)
V _{KR}	Cathode voltage for visual extinction of focused raster (cathode drive service)

Symbols denoting currents

I	Symbol for current followed by a subscript denoting the relevant electrode
I _f	Heater current (r.m.s. value)

Note: The symbols quoted represent the average value of the current, unless otherwise stated.

Symbols denoting powers

P _ℓ	Dissipation of the fluorescent screen
P _g	Grid dissipation

Symbols denoting capacitances

See IEC publication 100

Symbols denoting resistances and impedances

R	Symbol for resistance followed by a subscript for the relevant electrode pair. When only one subscript is given the second electrode is the cathode.
Z	Symbol for impedance followed by a subscript for the relevant electrode pair. When only one subscript is given the second electrode is the cathode.

Symbols denoting various quantities

L	Luminance
f	Frequency
H	Magnetic field strength

GENERAL OPERATIONAL RECOMMENDATIONS

INTRODUCTION

Equipment design should be based on the characteristics as stated in the data sheets. Where deviations from these general recommendations are permissible or necessary, statements to that effect will be made.

If applications are considered which are not referred to in the data sheets of the relevant tube type extra care should be taken with circuit design to prevent the tube being overloaded due to unfavourable operating conditions.

SPREAD IN TUBE CHARACTERISTICS

The spread in tube characteristics is the difference between maximum and minimum values. Values not qualified as maximum or minimum are nominal ones. It is evident that average or nominal values, as well as spread figures, may differ according to the number of tubes of a certain type that are being checked. No guarantee is given for values of characteristics in settings substantially differing from those specified in the data sheets.

SPREAD AND VARIATION IN OPERATING CONDITIONS

The operating conditions of a tube are subject to spread and/or variation.

Spread in an operating condition is a **permanent** deviation from an average condition due to, e.g., component value deviations. The average condition is found from such a number individual cases taken at random that an increase of the number will have a negligible influence.

Variation in an operating condition is **non-permanent** (occurs as a function of time), e.g., due to supply voltage fluctuations. The average value is calculated over a period such that a prolongation of that period will have negligible influence.

LIMITING VALUES

Limiting values are in accordance with the applicable rating system as defined by IEC publication 134. Reference may be made to one of the following 3 rating systems.

Absolute maximum rating system. Absolute maximum ratings are limiting values of operating and environmental conditions applicable to any electronic device of a specified type as defined by its published data, and should not be exceeded under the worst probable conditions.

These values are chosen by the device manufacturer to provide acceptable serviceability of the device, taking no responsibility for equipment variations, environmental variations, and the effects of changes in operating conditions due to variations in the characteristics of the device under consideration and of all other electronic devices in the equipment.

The equipment manufacturer should design so that, initially and throughout life, no absolute maximum value for the intended service is exceeded with any device under the worst probable operating conditions with respect to supply voltage variation, equipment components spread and variation, equipment control adjustment, load variations, signal variation, environmental conditions, and spread or variations in characteristics of the device under consideration and of all other electronic devices in the equipment.

Design-maximum rating system. Design-maximum ratings are limiting values of operating and environmental conditions applicable to a bogey electronic device* of a specified type as defined by its published data, and should not be exceeded under the worst probable conditions.

These values are chosen by the device manufacturer to provide acceptable serviceability of the device, taking responsibility for the effects of changes in operating conditions due to variations in the characteristics of the electronic device under consideration.

The equipment manufacturer should design so that, initially and throughout life, no design-maximum value for the intended service is exceeded with a bogey device under the worst probable operating conditions with respect to supply-voltage variation, equipment component variation, variation in characteristics of all other devices in the equipment, equipment control adjustment, load variation, signal variation and environmental conditions.

Design-centre rating system. Design-centre ratings are limiting values of operating and environmental conditions applicable to a bogey electronic device* of a specified type as defined by its published data, and should not be exceeded under average conditions.

These values are chosen by the device manufacturer to provide acceptable serviceability of the device in average applications, taking responsibility for normal changes in operating conditions due to rated supply-voltage variation, equipment component spread and variation, equipment control adjustment, load variation, signal variation, environmental conditions, and variations or spread in the characteristics of all electronic devices.

The equipment manufacturer should design so that, initially, no design-centre value for the intended service is exceeded with a bogey electronic device* in equipment operating at the stated normal supply voltage.

If the tube data specify limiting values according to more than one rating system the circuit has to be designed so that none of these limiting values is exceeded under the relevant conditions.

In addition to the limiting values given in the individual data sheets the directives in the following paragraphs should be observed.

HEATER SUPPLY

For maximum cathode life it is recommended that the heater supply be stabilized at the nominal heater voltage, + 0%, -5%. Any deviation from this heater voltage has a detrimental effect on tube performance and life, and should therefore be kept to a minimum. Such deviations may be caused by:

- mains voltage fluctuations;
- spread in the characteristics of components such as transformers, resistors, capacitors, etc.;
- spread in circuit adjustments;
- operational variations.

Supply from mains transformer

The maximum deviation of the heater voltage must not exceed $\pm 10\%$ (Design Maximum Value).

Supply from line output transformer

A deviation from the nominal heater voltage due to spread in component characteristics and adjustments should not exceed $\pm 7,5\%$. Considering all other possible deviations, due to mains voltage variations, beam current variations, VCR-operation, etc., the total spread in heater voltage must not exceed $\pm 10\%$.

* A bogey tube is a tube whose characteristics have the published nominal values for the type. A bogey tube for any particular application can be obtained by considering only those characteristics which are directly related to the application.

Standby (instant-on circuits)

The majority of tubes employ quick-heating cathodes and therefore an instant-on circuit is superfluous. If used, it is recommended to that the heater voltage of the tubes be reduced during standby operation to 75% of the nominal value.

Notes: If series connection of the heater circuit has to be used, and only parallel connection is quoted in the data sheet, please contact your local supplier.

Picture tubes with quick-heating cathodes should not be used in series with receiving tubes.

CATHODE TO HEATER VOLTAGE

The voltage between cathode and heater should be as low as possible and never exceed the limiting values given in the data sheets of the individual tubes. The limiting values relate to that side of the heater where the voltage between cathode and heater is greatest. The voltage between cathode and heater may be d.c., a.c., or a combination of both. Unless otherwise stated, the maximum values quoted indicate the maximum permissible d.c. voltage. If a combination of d.c. and a.c. voltages is applied, the peak value may be twice the rated V_{kf} ; however, unless otherwise stated, this peak value shall never exceed 315 V. Unless otherwise stated, the V_{kf} max. holds for both polarities of the voltage; however, a positive cathode is usually the most favourable in view of insulation during life.

In order to avoid excessive hum the a.c. component of the heater to cathode voltage should be as low as possible and never exceed 20 V r.m.s. (mains frequency). A d.c. connection should always be present between heater and cathode. Unless otherwise specified the maximum resistance should not exceed 1 M Ω ; the maximum impedance at mains frequency should be less than 100 k Ω .

INTERMEDIATE ELECTRODES (between cathode and final accelerator)

In no circumstances should the tube be operated without a d.c. connection between each electrode and the cathode. The total effective impedance between each electrode and the cathode should never exceed the published maximum value. However, no electrode should be connected directly to a high energy source. When such a connection is required, it should be made via a series resistor of not less than 1 k Ω .

CUT-OFF VOLTAGE

Curves showing the limits of the cut-off voltage as a function of grid 2 voltage are generally included in the data. The brightness control should be so dimensioned that it can handle any tube within the limits shown, at the appropriate grid 2 voltage.

The published limits are determined at an ambient illumination level of 10 lux. Because the brightness of a spot is in general greater than that of a raster of the same current, the cut-off voltage determined with the aid of a focused spot will be more negative by about 5 V as compared with that of a focused raster.

FOCUSING ELECTRODE VOLTAGE

Individual tubes will have satisfactory focus over the entire screen at some value within the published range of the focusing voltage.

Due to their flat focus characteristics, black and white picture tubes can generally be operated at a fixed focusing voltage within the published range. Monochrome data graphic display tubes should have adjustable focus.

LUMINESCENT SCREEN

To prevent permanent screen damage, care should be taken:

- not to operate the tube with a stationary picture at high beam currents for extended periods;
- not to operate the tube with a stationary or slowly moving spot except at extremely low beam currents;
- if no e.h.t. bleeder is used, to choose the time constants of the cathode, grid 1, grid 2, and deflection circuits, such that sufficient beam current is maintained to discharge the e.h.t. capacitance before deflection has ceased after equipment has been switched off.

EXTERNAL CONDUCTIVE COATING

The external conductive coating must be connected to the chassis. The capacitance of this coating to the final accelerating electrode may be used to provide smoothing for the e.h.t. supply.

The coating is not a perfect conductor and in order to reduce electromagnetic radiation caused by the line time base and the picture content it may be necessary to make multiple connections to the coating. See also 'Flashover'.

METAL RIMBAND

An appreciable capacitance exists between the metal rimband and the internal conductive coating of the tube; its value is quoted in the individual data sheets. To avoid electric shock, a d.c. connection should be provided between the metal band and the external conductive coating. In receivers where the chassis can be connected directly to the mains there is a risk of electric shock if access is made to the metal band. To reduce the shock to the safe limit, it is suggested that a $2\text{ M}\Omega$ resistor capable of handling the peak voltages be inserted between the metal band and the point of contact with the external conductive coating. This safety arrangement will provide the necessary insulation from the mains but in the event of flashover high voltages will be induced on the metal band. It is therefore recommended that the $2\text{ M}\Omega$ resistor be bypassed by a $4,7\text{ nF}$ capacitor capable of withstanding the peak voltage determined by the voltage divider formed by this capacitor and the capacitance of the metal rimband to the internal conductive coating, and the anode voltage. The $4,7\text{ nF}$ capacitor also serves to improve e.h.t. smoothing by adding the rimband capacitance to the capacitance of the outer conductive coating.

FLASHOVER

High electric field strengths are present between the gun electrodes of picture tubes. Voltages between gun electrodes may reach values of 20 kV over approx. 1 mm . Although the utmost precautions are taken in the design and manufacture of the tubes, there is always a chance that flashover will occur. The resulting transient currents and voltages may be of sufficient magnitude to cause damage to the tube itself and to various components on the chassis. Arcing terminates when the e.h.t. capacitor is discharged. Therefore it is of vital importance to provide protective circuits with spark gaps and series resistors, which should be connected according to Fig. 1. No other connections between the outer conductive coating and the chassis are permissible.

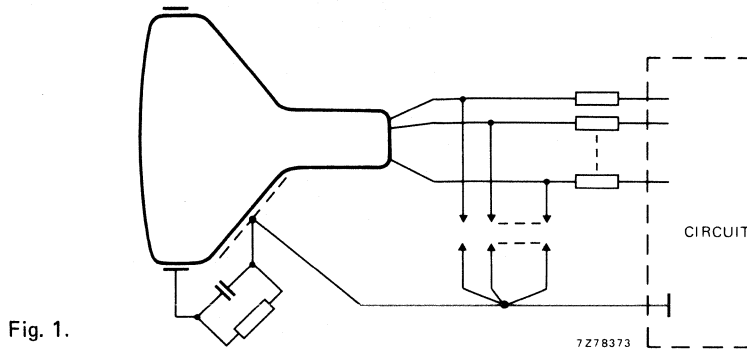


Fig. 1.

IMPLOSION PROTECTION

All picture tubes employ integral implosion protection and must be replaced with a tube of the same type number or recommended replacement to assure continued safety.

HANDLING

Although all picture tubes are provided with integral implosion protection, which meets the intrinsic protection requirements stipulated in the relevant part of IEC 65, care should be taken not to scratch or knock any part of the tube. **Stress on the tube neck must be avoided.**

When lifting a tube from the edge-down position, one hand should be placed around the parabola section of the cone and the other hand should be placed under the rim band (Fig. 2).

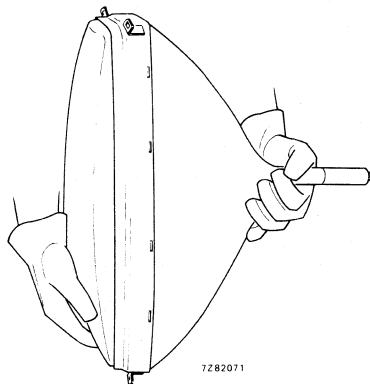


Fig. 2 Lifting picture tube from edge-down position.

When placing a tube face downwards ensure that the screen rests on a soft pad of suitable material, kept free from abrasive substances. When lifting from the face-down position the hand should be placed under the areas of the faceplate close to the mounting lugs at diagonally opposite corners of the faceplate (Fig. 3).

When lifting from the face-up position the hands should be placed under the areas of the cone close to the mounting lugs at diagonally opposite corners of the cone (Fig. 4).

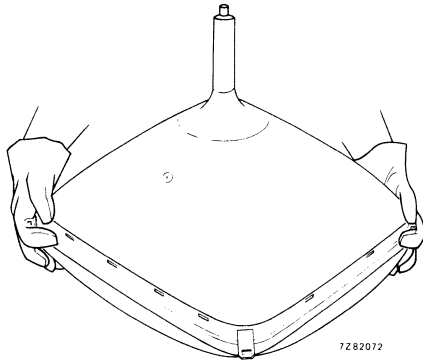


Fig. 3 Lifting picture tube from face-down position.

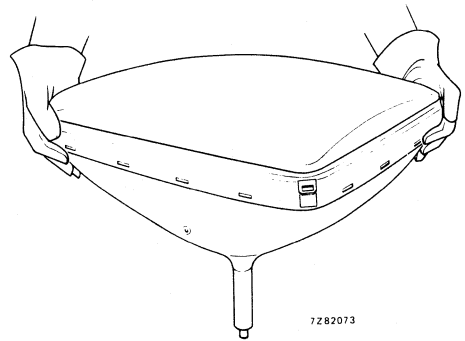


Fig. 4 Lifting tube from face-up position.

In all handling procedures prior to insertion in the receiver cabinet there is a risk of personal injury as a result of severe accidental damage to the tube. It is therefore recommended that protective clothing should be worn, **particularly eye shielding.**

If suspending the tube from the mounting lugs ensure that a **minimum of 2** are used; **UNDER NO CIRCUMSTANCES HANG THE TUBE FROM ONE LUG.**

Remember when replacing or servicing the picture tube that a residual electrical charge may be carried by the anode contact and also the external coating if not earthed. Before removing the tube from the equipment, earth the external coating and short the anode contact to the coating.

PACKING

The packing provides protection against tube damage under normal conditions of shipment or handling. Observe any instructions given on the packing and handle accordingly. The tube or tube/deflection yoke combination should under no circumstances be subjected to accelerations greater than 70 g (700 m/s²).

MOUNTING

Unless otherwise specified on the data sheets for individual tubes there are no restrictions on the position of mounting.

The tube socket should **not** be rigidly mounted but should have flexible leads and be allowed to move freely.

The mass of the socket and additional circuitry should not be more than 150 g. The socket of tubes with a 7-pin miniature base may not be used for mounting components.

It is very desirable that tubes should not be exposed to strong electrostatic and magnetic fields.

DIMENSIONS

In designing the equipment the tolerances given on the dimensional drawings should be considered. Under no circumstances should the equipment be designed around dimensions taken from individual tubes.

REFERENCE LINE

Where a reference line is indicated on the tube outline drawing, it is determined by means of a gauge. Drawings of the gauges are given in this section under "Reference line gauges"

GENERAL DATA ON MONOCHROME DISPLAY TUBES

Glass transmission

Two types of screen glass are available:

- normal tinted glass,
- dark tinted glass, for improved contrast.

The light transmission at the screen centre of both types is shown in the table below.

tube	normal tinted glass	dark tinted glass	
24 cm (9 in), 90°	approx. 52%	approx. 42%	←
29 cm (12 in), 90°*	approx. 42%	approx. 31%	←
31 cm (12 in), 90°; 3 x 4	approx. 46%	approx. 34%	
31 cm (12 in), 90°; 4 x 5	approx. 46%	approx. 34%	←
31 cm (12 in), 110°	approx. 46%	approx. 34%	
34 cm (14 in), 90°	approx. 46%	approx. 34%	←
34 cm (14 in), 90°**	approx. 42%	approx. 31%	←
38 cm (15 in), 110°	approx. 46%	approx. 34%	
38 cm (15 in), 110°*	approx. 42%	approx. 31%	←
41 cm (17 in), 114°	approx. 48%	approx. 32%	
47 cm (20 in), 114°	approx. 46%	approx. 34%	←

Screen surface treatments

Two types of anti-glare treatments are available:

- direct grind, i.e. the screen is ground to an ultrafine finish that minimizes reflection without blurring the image or decreasing resolution,
- direct etch, i.e. the screen is etched to a finish that diffuses specular reflection.

* Flat square high resolution monochrome display tube.

** Flat high resolution monochrome display tube.

Survey of screen phosphors

type	designation	fluorescent colour	phosphorescent colour	persistence*	colour co-ordinates x y	relative brightness (%) with respect to type WW
WW	P4	white	white	medium short	0.265 0.295	100
WS	P104	white	white	medium short	0.285 0.320	approx.
WJ	P115	white	white	medium short	0.315 0.355	approx.
-	P192	white	white	medium	0.328 0.371	approx.
WR	-	white	white	medium short	0.355 0.395	approx.
WD	-	white	white	medium	0.355 0.395	approx.
GH	P31	green	green	medium short	0.265 0.565	approx.
GR	P39	yellowish-green	yellowish-green	long	0.205 0.715	approx.
GW	P42	yellowish-green	yellowish-green	medium	0.238 0.568	approx.
HA	-	yellowish-green	yellowish-green	medium	0.220 0.660	approx.
YK	-	greenish-yellow	greenish-yellow	medium	0.445 0.515	approx.
KC	-	yellow-green	yellow-green	medium short	0.425 0.550	approx.
LA	-	orange	orange	medium	0.554 0.446	approx.
LM	-	orange	orange	medium short	0.547 0.446	approx.

* medium short: 10 to 100 μ s
 medium: 1 to 100 ms
 long: 100 ms to 1 s

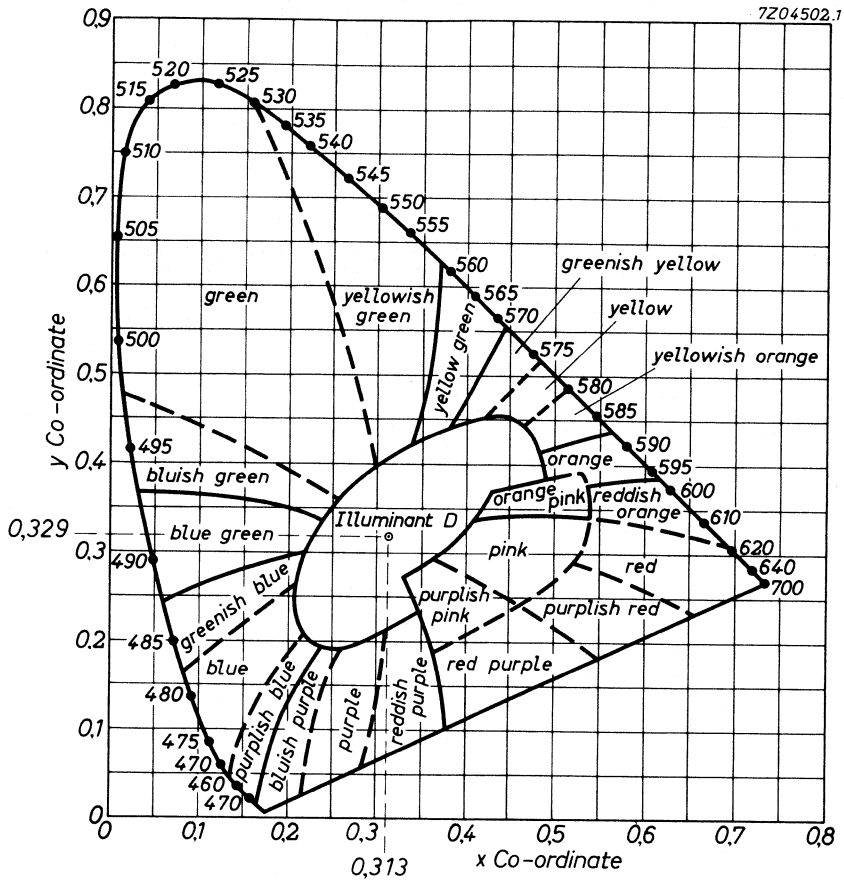
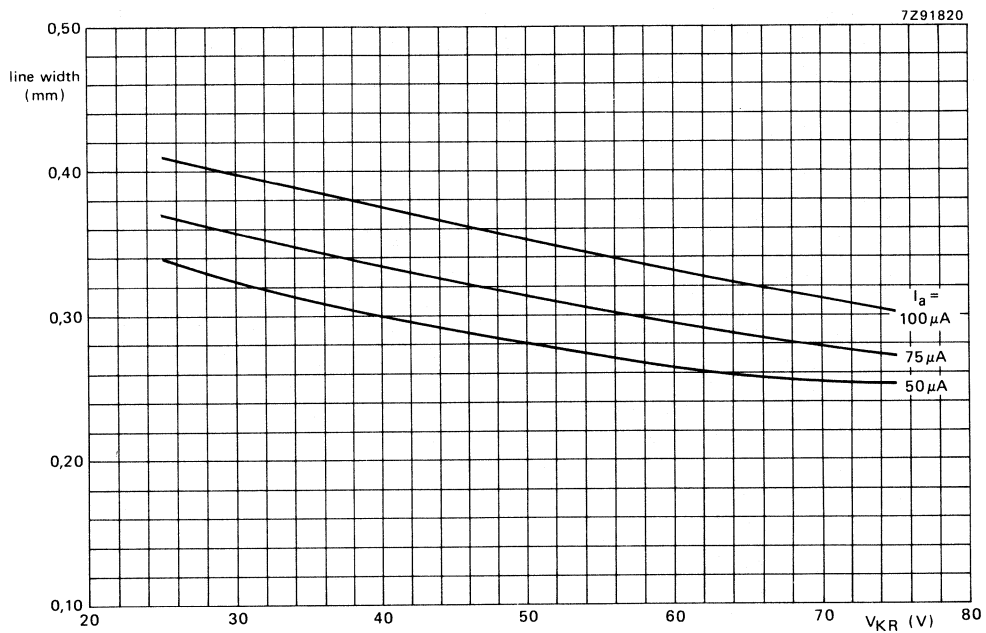


Fig. 1 Kelly chart.

Resolution characteristics

The following graphs (Figs 2 to 9) represent the line width as a function of the cathode cut-off voltage at constant anode current (shrinking raster method), at screen centre for different display tubes.



→ Fig. 2 Tube M24-514W; $V_a = 12$ kV; raster dimensions 168 mm x 126 mm; 292 active lines at 50 Hz repetition frequency.

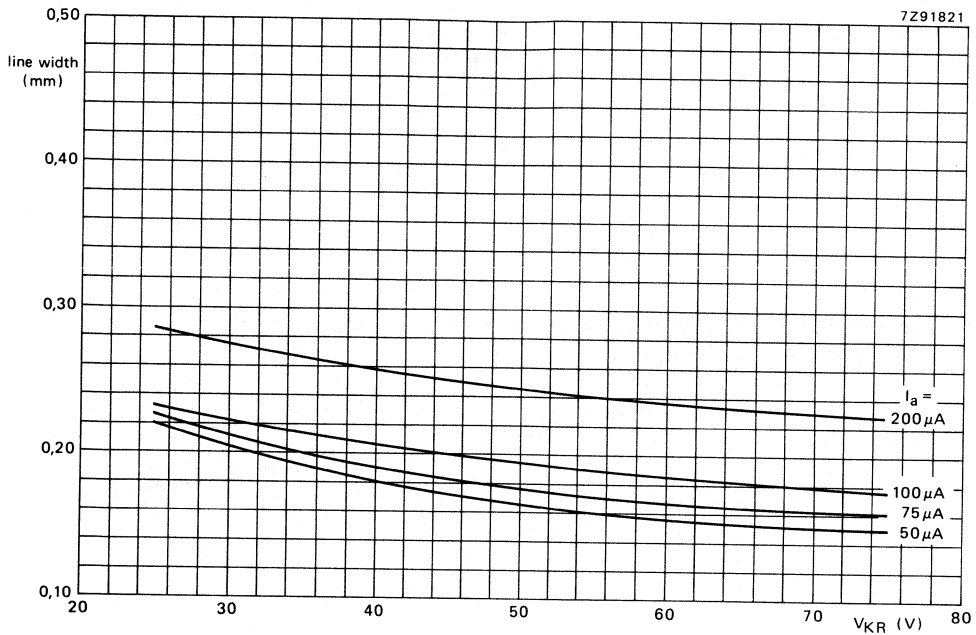


Fig. 3 Tubes M24-306, M24-308, M24-310, M24-328; $V_a = 12$ kV; raster dimensions 168 mm x 126 mm; 292 active lines at 50 Hz repetition frequency.

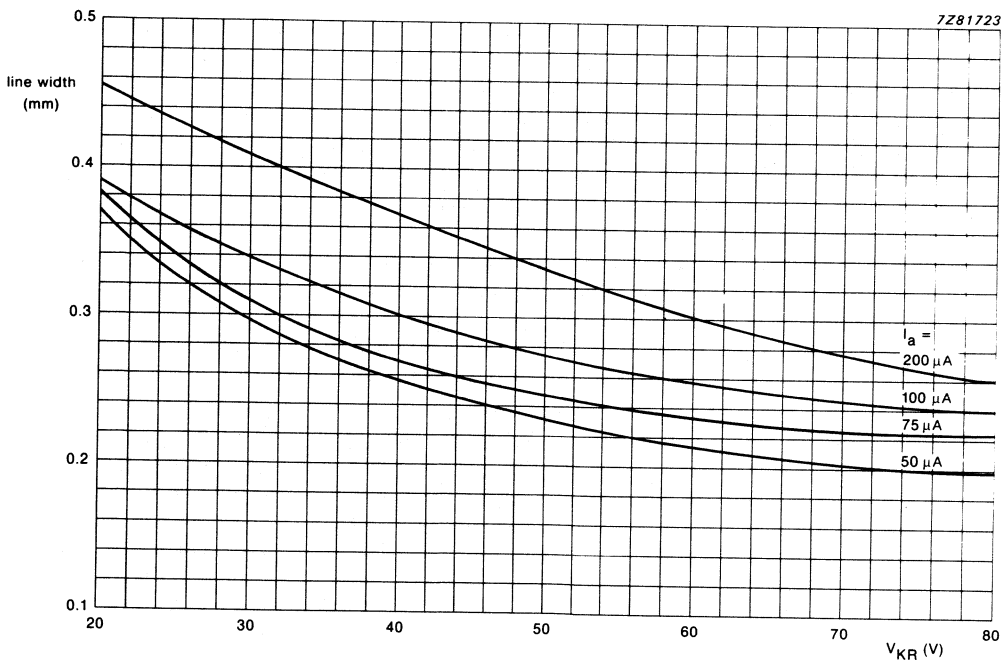


Fig. 4 Tubes M31-336/338/340/342/344/346/348/350; $V_a = 12$ kV; raster dimensions 216 mm x 162 mm; 292 active lines at 50 Hz repetition frequency.

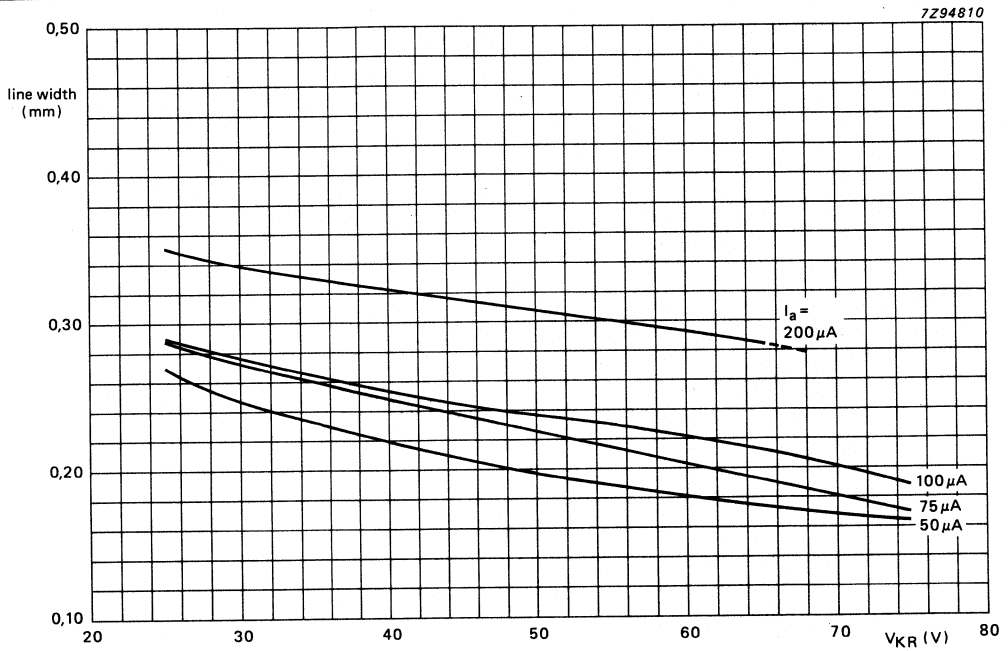


Fig. 5 Tubes M32EAA; $V_a = 14$ kV; raster dimensions 237 mm x 178 mm; 292 active lines at 50 Hz repetition frequency.

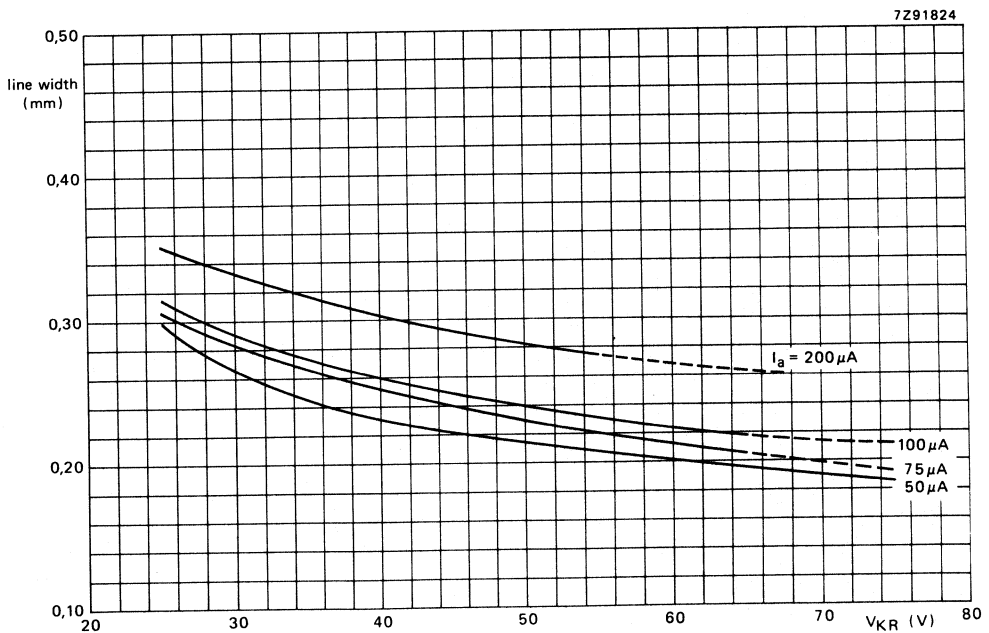


Fig. 6 Tubes M38-320/330/340 series; $V_a = 17$ kV; raster dimensions 259 mm x 194 mm; 292 active lines at 50 Hz repetition frequency.

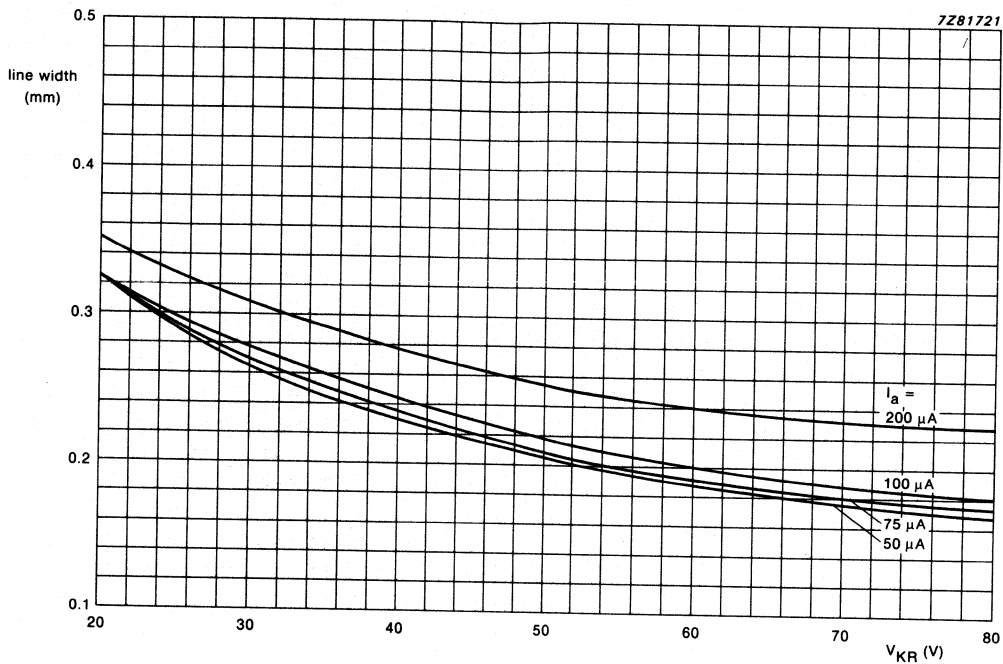


Fig. 7 Tubes M36ECJ; $V_a = 17$ kV; raster dimensions 267 mm x 200 mm; 292 active lines at 50 Hz repetition frequency.

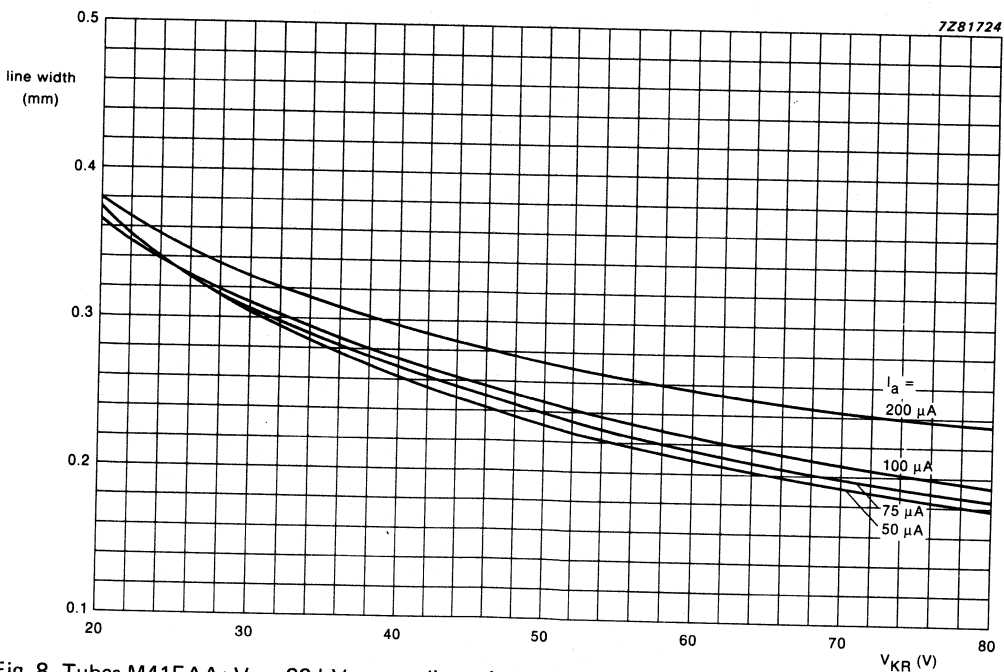


Fig. 8 Tubes M41EAA; $V_a = 20$ kV; raster dimensions 304 mm x 228 mm; 292 active lines at 50 Hz repetition frequency.

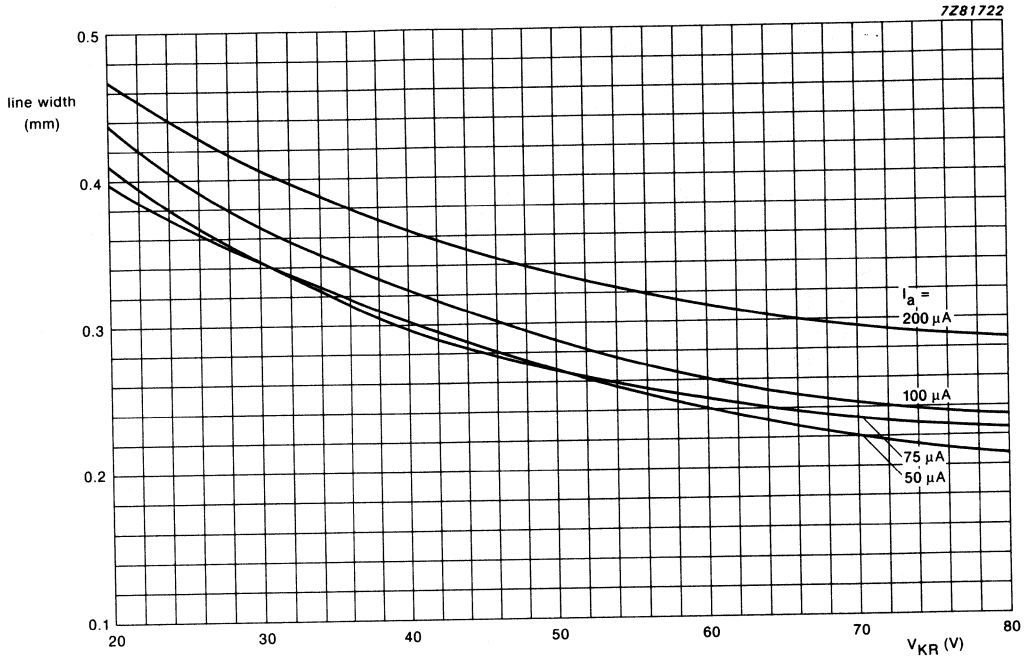


Fig. 9 Tubes M47EAA; $V_a = 20$ kV; raster dimensions 348 mm x 261 mm; 292 active lines at 50 Hz repetition frequency.

TYPE DESIGNATION

Screen glass, screen surface treatment and phosphor are identified by the complete type designation. In the **old system**, used for type numbers M24-306, M31-340, etc., surface treatment and type of screen glass are identified by a type number suffix, as shown in the table below.

Table 1 Type number suffix

surface treatment	screen glass	suffix
normal glare	normal tinted	no
direct grind	normal tinted	/P
direct etch	normal tinted	/E
direct grind	dark tinted	/PD
direct etch	dark tinted	/ED

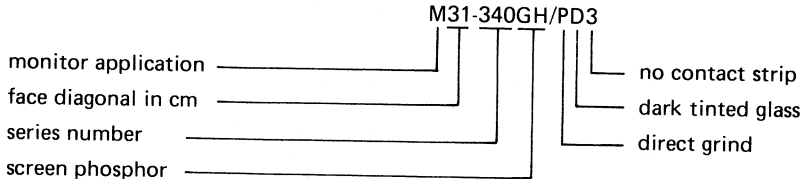
For tubes without contact strip between external coating and mounting hardware the suffix is:/. . 3.

For tubes with an internal surge limiter the suffix is:/. . 4.

For tubes with the new generation mark 2 gun the suffix is:/. . 6.

For tubes with a ring trap base the suffix is:/. . 7.

Example:



In the **new system**, used for type numbers M29EAA, M32EAA, etc., surface treatment and type of screen glass are identified as shown in the example below.

Example:

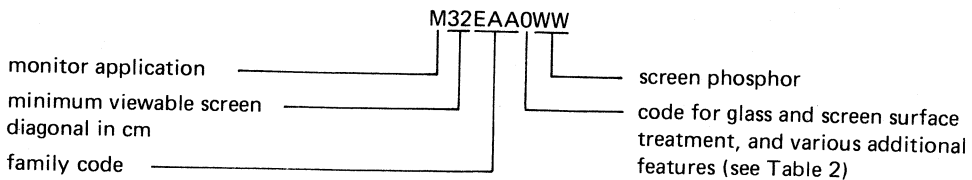


Table 2 Codes for glass and screen surface treatments and various additional features

code	glass		anti-glare			ISL	no contact strip	new generation gun	without anti-crackling coating
	normal tinted	dark tinted	normal glare	direct grind	direct etch				
0	X		X						
1	X			X					
2		X		X					
3		X			X				
5	X		X			X			
6		X		X			X		
7	X			X		X			
8	X				X				
10	X		X					X	
11	X			X				X	
12		X		X				X	
13		X			X			X	
15	X		X			X		X	
16		X		X			X	X	
17	X			X		X		X	
18	X				X			X	
20		X		X		X			
21	X		X			X			X
22		X		X		X		X	
23		X			X		X	X	
24		X			X	X		X	
27		X		X		X		X	X
28		X			X	X		X	

RESOLUTION CHARACTERISTICS FOR THE NEW GENERATION MARK 2 GUN

The following graphs (Figs 1 to 5) represent the line width as a function of the cathode cut-off voltage at a constant anode current (shrinking raster method), at screen centre for different display tubes with the mark 2 gun.

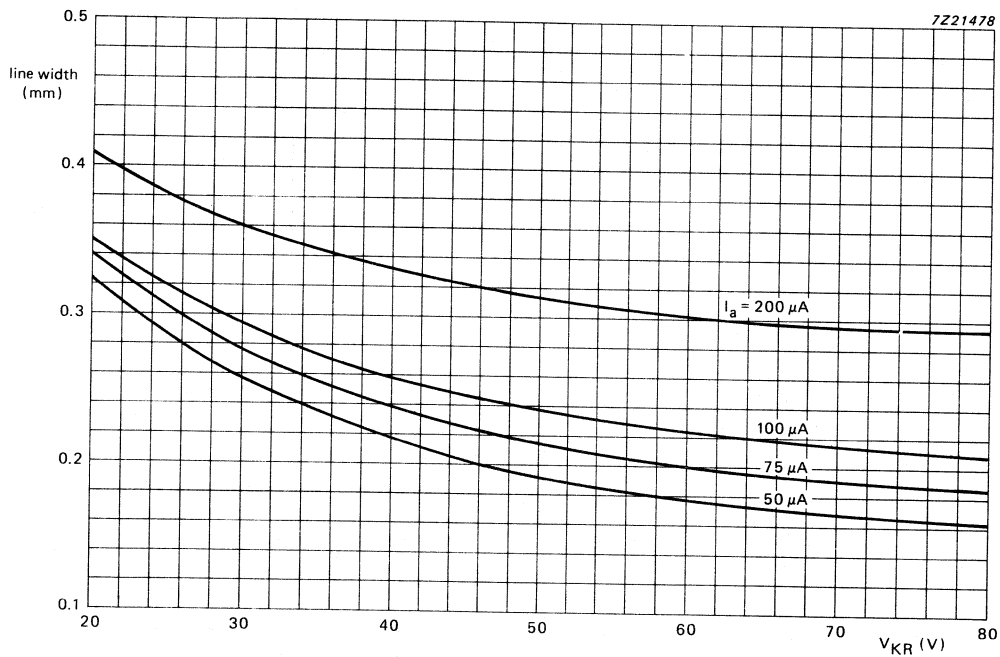


Fig. 1 Mark 2 tubes; 12 inch; 90° deflection angle; $V_a = 12$ kV; raster dimensions 216 mm x 162 mm; 292 active lines at 50 Hz repetition frequency.

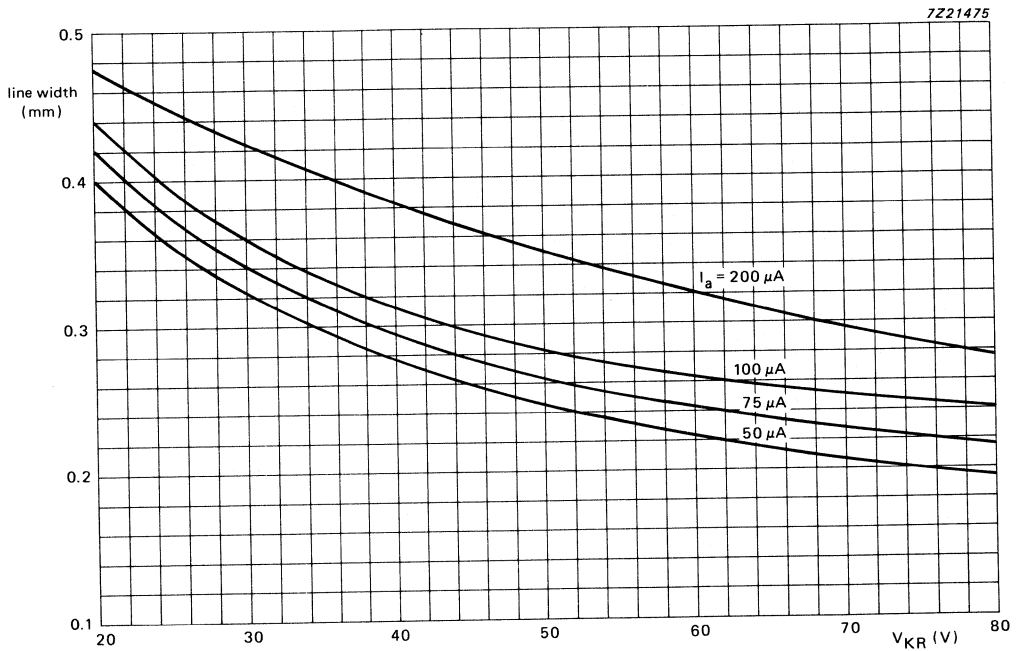


Fig. 2 Mark 2 tubes; 14 inch; 90° deflection angle; $V_a = 14$ kV; raster dimensions 237 mm x 178 mm; 292 active lines at 50 Hz repetition frequency.

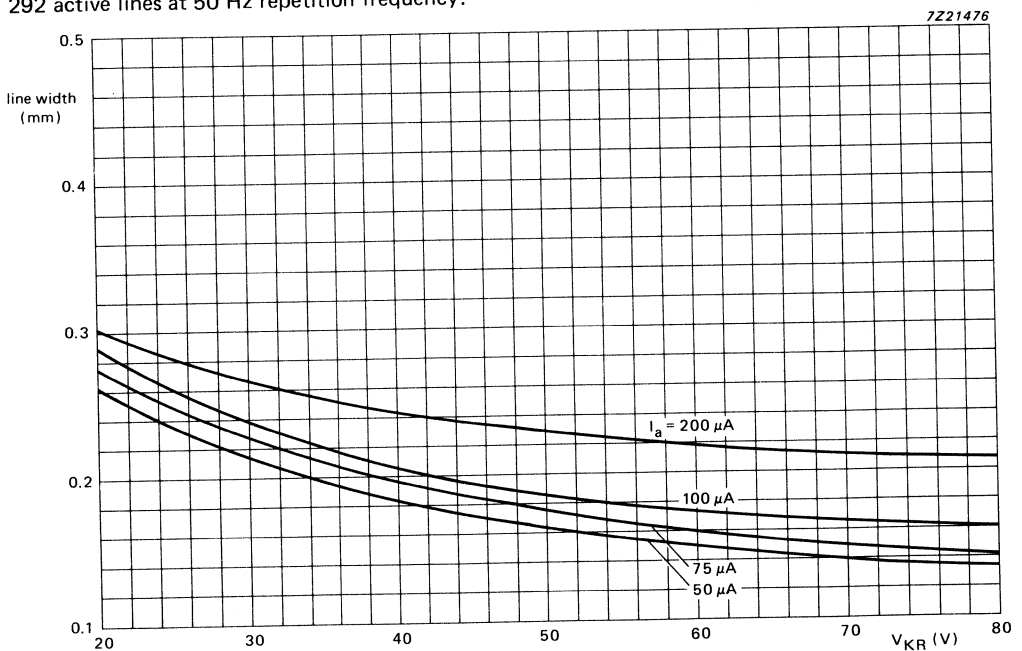


Fig. 3 Mark 2 tubes; 15 inch; 110° deflection angle; $V_a = 17$ kV; raster dimensions 259 mm x 194 mm; 292 active lines at 50 Hz repetition frequency.

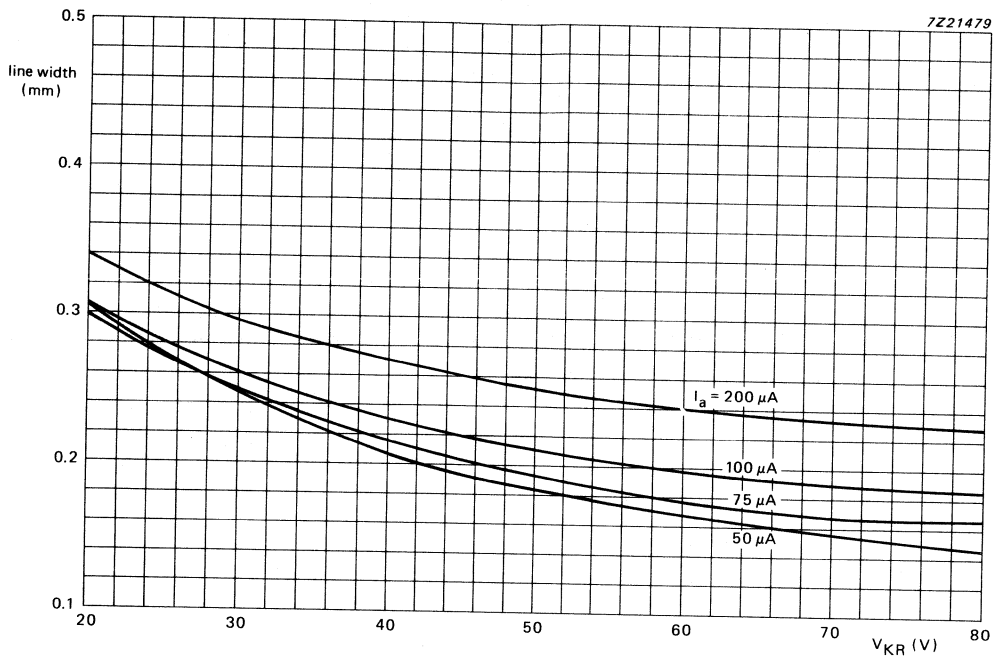


Fig. 4 Mark 2 tubes; 15 inch FLAT SQUARE; 110° deflection angle; $V_a = 17$ kV; raster dimensions 267 mm x 200 mm; 292 active lines at 50 Hz repetition frequency.

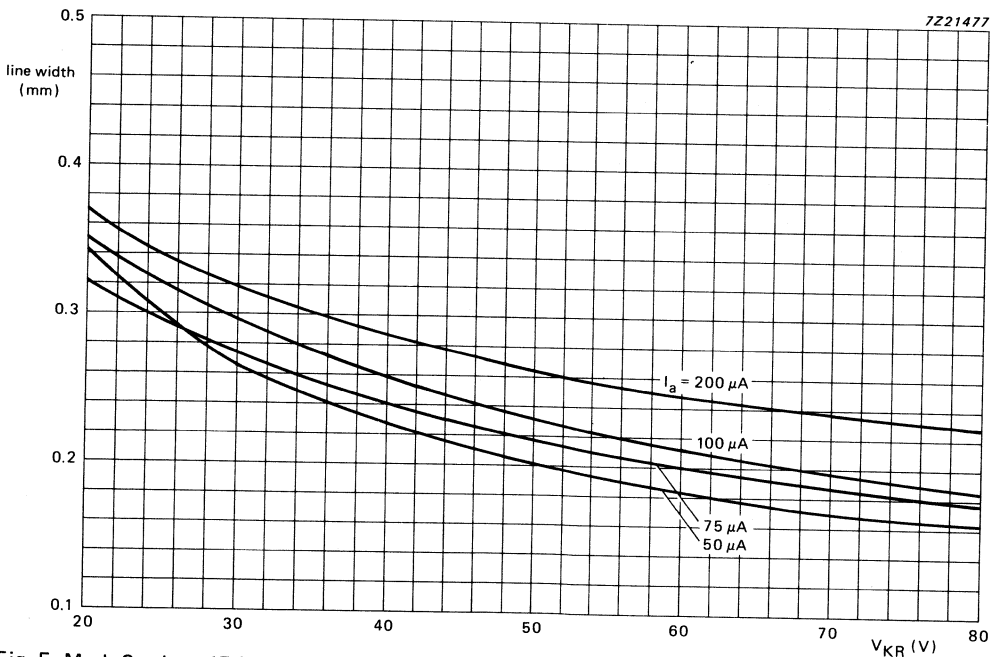


Fig. 5 Mark 2 tubes; 17 inch; 110° deflection angle; $V_a = 20$ kV; raster dimensions 304 mm x 228 mm; 292 active lines at 50 Hz repetition frequency.

NEW GENERATION MARK 2 GUN

- For high resolution monochrome display tubes
- 90° deflection angle
- 24 cm (9 in), 31 cm (12 in), and 34 cm (14 in) tubes
- 20 mm neck diameter
- Optimised resolution for V_{g2} at 550 V

QUICK REFERENCE DATA

Deflection angle	90°
Face diagonal	24 cm (9 in), 31 cm (12 in) and 34 cm (14 in)
Neck diameter	20 mm
Heating	12 V/130 mA
Grid 2 voltage	550 V
Anode voltage	
9 and 12 inch	12 kV
14 inch	14 kV
Resolution	approx. 1400 lines

For the various phosphors, glass transmission, anti-reflective treatments, reinforcement systems and mechanical tube details relating to the above mentioned tubes, see the relevant section of this book.

GENERAL

ELECTRICAL DATA

Focusing method	electrostatic
Deflection method	magnetic
Direct interelectrode capacitances	
cathode to all other electrodes	max. 4 pF
grid 1 to all other electrodes	max. 8 pF
Heater voltage	12 V
Heater current at 12 V	130 mA

RATINGS (absolute maximum system)

Unless otherwise specified, voltage values are positive and measured with respect to Grid 1.

Anode voltage	max. 15 kV
9 inch tube	min. 9.5 kV
12 inch tube	max. 15 kV
	min. 10 kV
14 inch tube	max. 16 kV
	min. 10 kV
Grid 4 (focusing electrode) voltage	-200 to +1000 V
Grid 2 voltage	max. 700 V
	min. 400 V
Anode current	
→ long term average value	max. 100 μ A
peak value	max. 300 μ A
Cathode voltage, positive peak value	max. 400 V
Heater voltage	12 V $\begin{matrix} +5\% \\ -10\% \end{matrix}$ *
Cathode to heater voltage	max. 150 V

* For maximum cathode life it is recommended that the heater supply be regulated at 12 V $\begin{matrix} +0\% \\ -5\% \end{matrix}$.

CIRCUIT DESIGN VALUES

Grid 4 current			
positive	max.	25 μ A	
negative	max.	25 μ A	
Grid 2 current			
positive	max.	5 μ A	
negative	max.	5 μ A	
I-rest		5 μ A	see note 1

MAXIMUM CIRCUIT VALUES

Resistance between cathode and heater	max.	1.0 $M\Omega$
Impedance between cathode and heater	max.	0.1 $M\Omega$
Grid 1 circuit resistance	max.	1.5 $M\Omega$
Grid circuit impedance	max.	0.5 $M\Omega$

TYPICAL OPERATING CONDITIONS

Cathode drive; voltages specified with respect to grid 1

Anode voltage		
9 and 12 inch types	12 kV	
14 inch types	14 kV	
Grid 4 (focusing electrode) voltage	0 to 300 V	see note 2
Grid 2 voltage	550 V	
Cathode cut-off voltage	65 to 105 V	see note 3 ←

Grid drive; voltages specified with respect to cathode

Anode voltage		
9 and 12 inch types	12 kV	
14 inch types	14 kV	
Grid 4 (focusing electrode) voltage	0 to 300 V	see note 2
Grid 2 voltage	550 V	
Grid 1 cut-off voltage	73 to 127 V	see note 3 ←

RESOLUTION

The resolution is approx. 1400 lines. It is measured at the screen centre:

- with shrinking raster method
- at light output = 68.5 cd/m² (20 footlambert), and raster dimensions of 168 mm x 126 mm (9 inch tube), 216 mm x 162 mm (12 inch tube) and 237 mm x 178 mm (14 inch tube)
- at $V_{G2} = 700$ V, and anode voltage (9 and 12 inch types) = 12 kV, (14 inch types) = 14 kV
- with phosphor type W (WW)
- with normal tinted face glass, without anti-glare treatment of screen surface

NOTES

1. Anode current measured at 12 kV (9 and 12 inch types) or 14 kV (14 inch types), 12 V heater voltage with g1, g2 and g4 interconnected to cathode.
2. Measured at screen centre on spot at anode current of 250 μ A (peak), anode voltage of 12 kV for 9 and 12 inch types, 14 kV for 14 inch types and a grid 2 voltage of 550 V.
Dynamic focus (only for optimization): typical correction for a video field of:

H x V = 168 mm x 126 mm (9 inch tube)	} line parabola 100 V, field parabola 100 V
H x V = 216 mm x 162 mm (12 inch tube)	
H x V = 237 mm x 178 mm (14 inch tube)	

3. Visual extinction of focused raster.

For anode current as a function of grid 1 voltage and as a function of cathode voltage, see Figs 1 and 2.

For limits of cut-off voltage as a function of grid 2 voltage, see Figs 3 and 4.

NEW GENERATION MARK 2 GUN

- For high resolution monochrome display tubes
- 110° deflection angle
- 38 cm (15 in), 44 cm (17 in) and 50 cm (20 in) tubes
- 28.6 mm neck diameter
- Optimised resolution for V_{g2} at 550 V

QUICK REFERENCE DATA

Deflection angle	110°
Face diagonal	38 cm (15 in), 44 cm (17 in), 50 cm (20 in)
Neck diameter	28.6 mm
Heating	6.3 V/240 mA
Grid 2 voltage	550 V
Anode voltage	
15 inch	17 kV
17 and 20 inch	20 kV
Resolution 15 and 17 inch types	approx. 1600 lines
20 inch types	approx. 1500 lines

For the various phosphors, glass transmission, anti-reflective treatments, reinforcement systems and mechanical tube details relating to the above mentioned tubes, see the relevant section of this book.

ELECTRICAL DATA

Focusing method	electrostatic
Deflection method	magnetic
Direct interelectrode capacitances	
cathode to all other electrodes	max. 4 pF
grid 1 to all other electrodes	max. 8 pF
Heater voltage	6.3 V
Heater current at 6.3 V	240 mA

RATINGS (absolute maximum system)

Unless otherwise specified, voltage values are positive and measured with respect to Grid 1.

Anode voltage	max. 19 kV
15 inch tube	min. 13 kV
17 inch tube	max. 23 kV
	min. 15 kV
20 inch tube	max. 23 kV
	min. 16 kV
Grid 4 (focusing electrode) voltage	-200 to + 1000 V
Grid 2 voltage	max. 700 V
	min. 400 V
Anode current	
→ long term average value	max. 100 μ A
peak value	max. 300 μ A
Cathode voltage, positive peak value	max. 400 V
Heater voltage	6.3 V ^{+5%} _{-10%} *
Cathode to heater voltage	max. 150 V

* For maximum cathode life it is recommended that the heater supply be regulated at 6.3 V ^{+0%} _{-5%}.

CIRCUIT DESIGN VALUES

Grid 4 current			
positive	max.	25 μ A	
negative	max.	25 μ A	
Grid 2 current			
positive	max.	5 μ A	
negative	max.	5 μ A	
I-rest		5 μ A	see note 1

MAXIMUM CIRCUIT VALUES

Resistance between cathode and heater	max.	1.0 M Ω	
Impedance between cathode and heater	max.	0.1 M Ω	
Grid 1 circuit resistance	max.	1.5 M Ω	
Grid circuit impedance	max.	0.5 M Ω	

TYPICAL OPERATING CONDITIONS

Cathode drive; voltages specified with respect to grid 1

Anode voltage			
15 inch types		17 kV	
17 and 20 inch types		20 kV	
Grid 4 (focusing electrode) voltage		0 to 300 V	see note 2
Grid 2 voltage		550 V	
Cathode cut-off voltage		65 to 105 V	see note 3 ←

Grid drive; voltages specified with respect to cathode

Anode voltage			
12 and 15 inch types		17 kV	
17 and 20 inch types		20 kV	
Grid 4 (focusing electrode) voltage		0 to 300 V	see note 2
Grid 2 voltage		550 V	
Grid 1 cut-off voltage		73 to 127 V	see note 3 ←

RESOLUTION

The resolution is approx. 1600 and 1500 lines respectively. It is measured at the screen centre:

- with shrinking raster method
- at light output = 68.5 cd/m² (20 footlambert), normal tinted face glass and raster dimensions of 259 mm x 194 mm (15 inch tube)
304 mm x 228 mm (17 inch tube), 348 mm x 261 mm (20 inch tube) and dark tinted face glass and raster dimensions of 267 mm x 200 mm (15 inch FS tube)
- at $V_{g2} = 700$ V, and anode voltage of 17 kV for 15 inch type, and 20 kV for 17 and 20 inch types
- with phosphor type W (WW)
- without anti-glare treatment of screen surface

NOTES

1. Anode current measured at 17 kV (15 inch type) or 20 kV (17 and 20 inch types), 6.3 V heater voltage with g1, g2 and g4 interconnected to cathode.
2. Measured at screen centre on spot at anode current of 250 μ A (peak), anode voltage of 17 kV for 15 inch type, 20 kV for 17 and 20 inch types, and a grid 2 voltage of 550 V.
Dynamic focus (only for optimization): typical corrections are listed in the table below:

Table 1 Dynamic focus

tube type	raster scan (mm)	format	line parabola (V)	field parabola (V)
15 inch	259 x 194	landscape	275	100
15 inch	194 x 259	portrait	125	225
15 inch FS	267 x 200	landscape	300	100
15 inch FS	200 x 267	portrait	125	250
17 inch	304 x 228	—	275	100
20 inch	348 x 261	—	275	100

3. Visual extinction of focused raster.

For anode current as a function of grid 1 voltage and as a function of cathode voltage, see Figs. 1 and 2.

For limits of cut-off voltage as a function of grid 2 voltage, see Figs. 3 and 4.

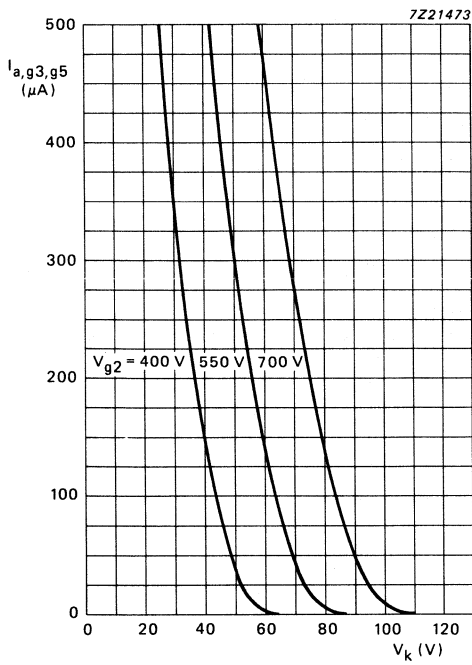


Fig. 1 Anode current as a function of cathode voltage. Cathode drive; $V_{a,g3,g5} = (n)\text{ kV}^*$.

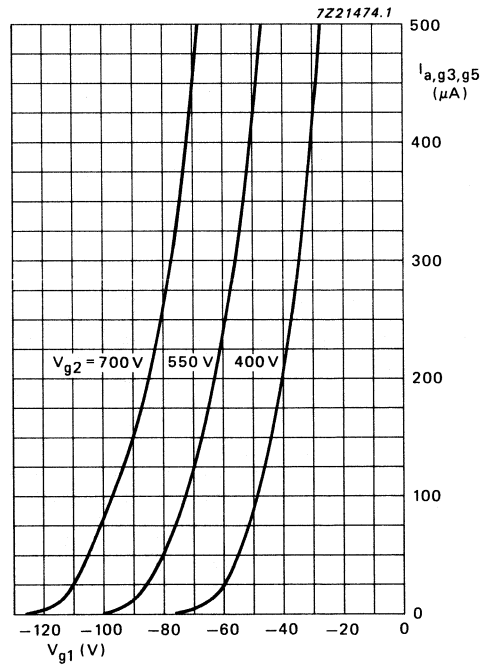


Fig. 2 Anode current as a function of grid 1 voltage. Grid drive; $V_{a,g3,g5} = (n)\text{ kV}^*$.

* (n) = 12 kV for 9 and 12 inch types
 14 kV for 14 inch types
 17 kV for 15 inch (110°) types
 20 kV for 17 and 20 inch types

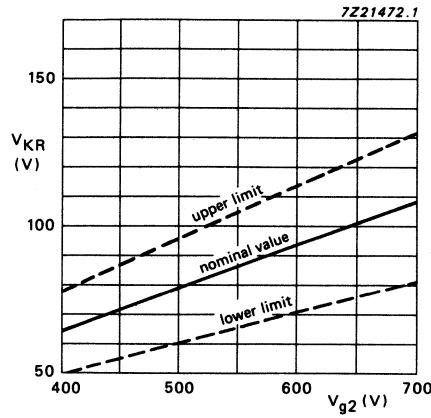


Fig. 3 Limits of cathode cut-off voltage as a function of grid 2 voltage. Cathode drive; $V_{a,g3,g5} = (n) \text{ kV}^*$.

$$\frac{\Delta V_{KR}}{\Delta V_{a,g3,g5}} = 0.15 \times 10^{-3}$$

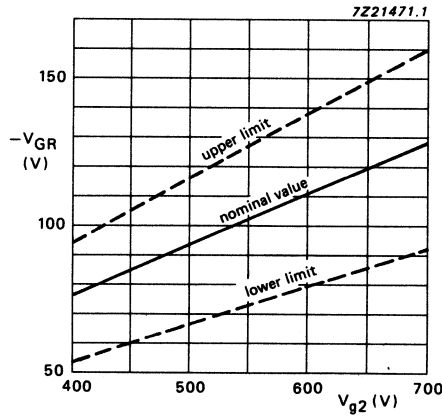


Fig. 4 Limits of grid 1 cut-off voltage as a function of grid 2 voltage. Grid drive; $V_{a,g3,g5} = (n) \text{ kV}^*$.

$$\frac{\Delta V_{GR}}{\Delta V_{a,g3,g5}} = 0.15 \times 10^{-3}$$

* (n) = 12 kV for 9 and 12 inch types
 14 kV for 14 inch types
 17 kV for 15 inch (110°) types
 20 kV for 17 and 20 inch types

REFERENCE LINE GAUGES

REFERENCE LINE GAUGE C (JEDEC 126) (IEC 67-IV-3)

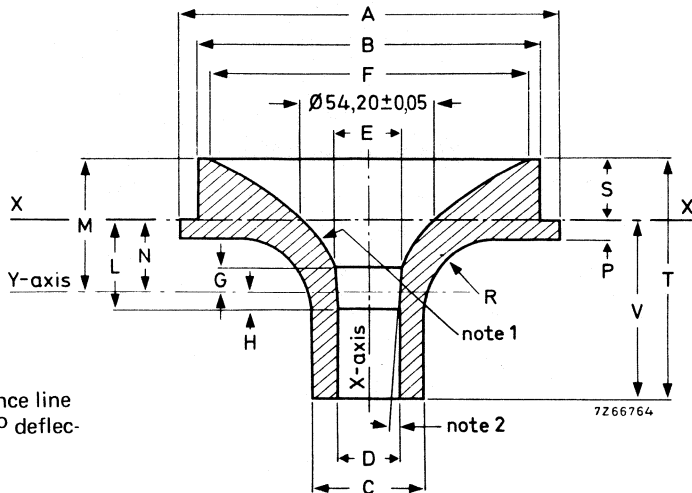


Fig. 1 Reference line gauge for 110° deflection angle.

The millimetre dimensions are derived from the original inch dimensions.

ref.	inches			millimetres			notes
	min.	nom.	max.	min.	nom.	max.	
A	—	5,000	—	—	127,00	—	—
B	—	4,500	—	—	114,30	—	—
C	—	2,000	—	—	50,80	—	—
D	1,168	1,168	1,171	29,668	29,668	29,743	—
E	1,241	1,242	1,243	31,522	31,547	31,572	—
F	4,248	4,250	4,252	107,900	107,950	108,000	—
G	—	0,279	—	—	7,09	—	2
H	—	0,250	—	—	6,35	—	—
L	1,165	1,170	1,175	29,60	29,72	29,84	2
M	—	1,634	—	—	41,50	—	—
N	—	0,920	—	—	23,37	—	1
P	—	0,250	—	—	6,35	—	—
R	—	1,000r	—	—	25,40r	—	—
S	0,712	0,714	0,716	18,085	18,136	18,186	—
T	—	3,214	—	—	81,64	—	—
V	2,490	2,500	2,510	63,25	63,50	63,75	—

Notes

- $y = 0,58 x^2 + 0,576$ inches ($0,0228 x^2 + 14,630$ mm) 'y' values must be held to $\pm 0,002''$ (0,05 mm).
The Y-axis is 0,920'' (23,368 mm) below the X-X' reference plane.
- $4^\circ \pm 30'$ taper between planes G and L.

REFERENCE LINE GAUGE D (EIA G-197)

Dimensions in mm

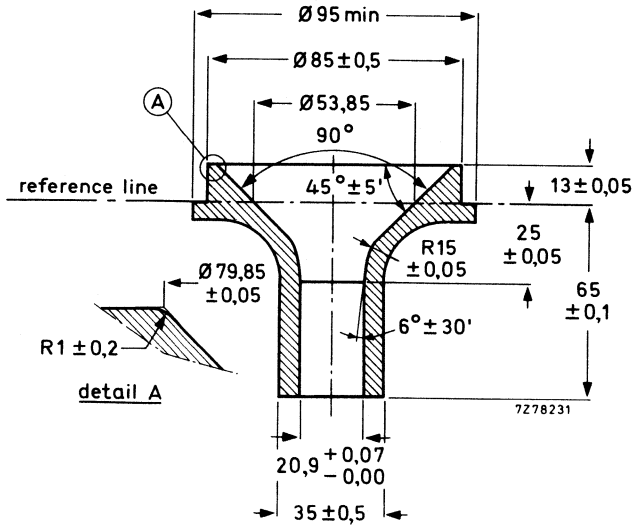


Fig. 2 Reference line gauge for 90° deflection angle.

REFERENCE LINE GAUGE G (JEDEC G148)

Dimensions in mm

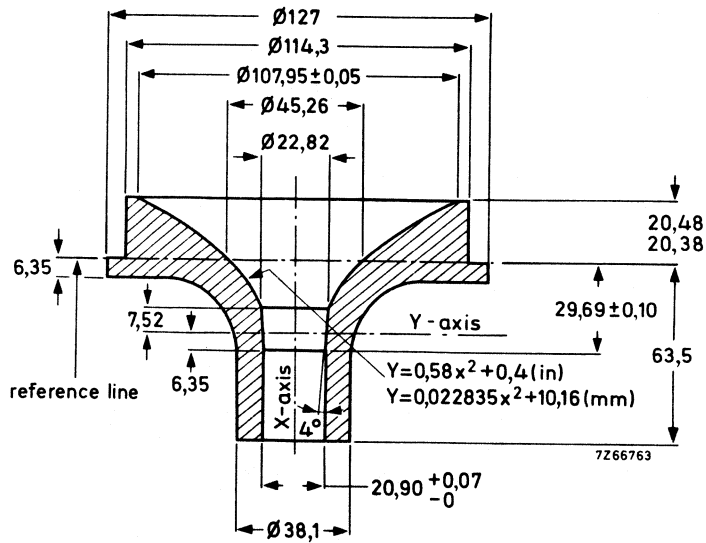


Fig. 3 Reference line gauge for 110° deflection angle.

BASES

SMALL-BUTTON NEO EIGHTAR BASE IEC 67-1-31
JEDEC B7-208

Dimensions in mm

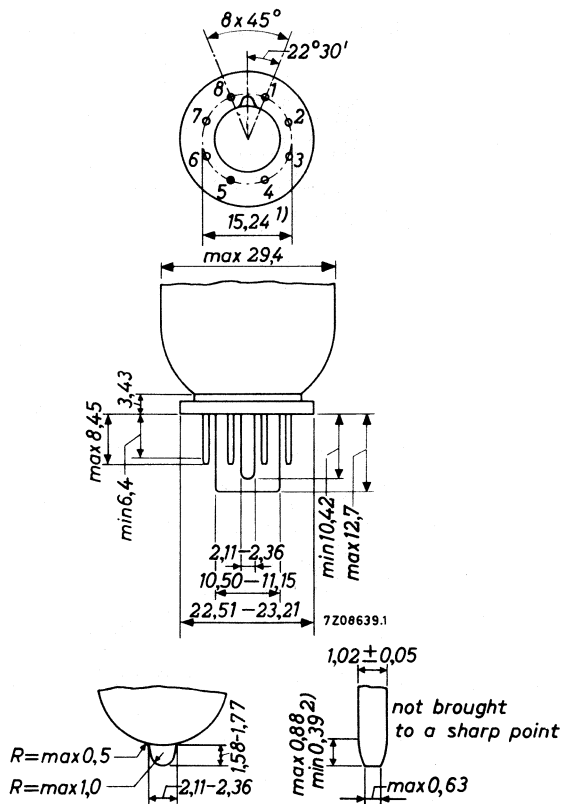


Fig. 1.

Notes

1. Base-pin positions are held to tolerances such that the base will fit a flat-plate gauge having a thickness of $9,53$ and eight equally spaced holes of $1,40 \pm 0,01$ diameter located on a $15,24 \pm 0,01$ diameter circle. The gauge is also provided with a centre hole to provide $0,25$ diametric clearance for the lug and key. Pin fit in the gauge shall be such that the entire length of pins will, without undue force, pass into and disengage from the gauge.
2. This dimension may vary within the limits shown around the periphery of any individual pin.

7-PIN MINIATURE BASE WITH PUMPING STEM

Dimensions in mm

Dimensions of this base are within the JEDEC E7-91 dimensions

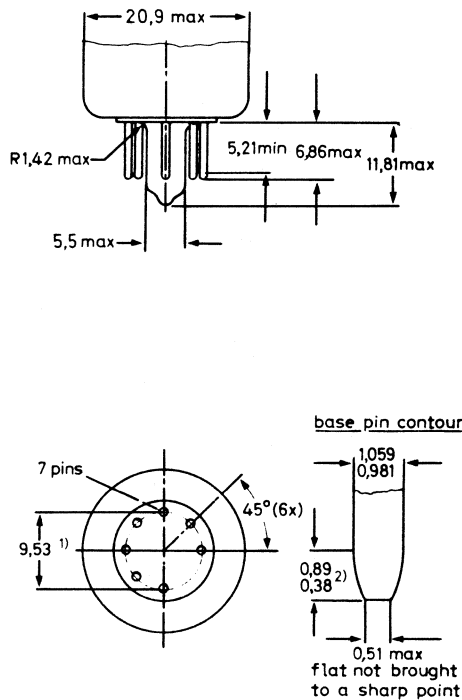


Fig. 2.

Notes

1. Base-pin and pumping stem positions are held to tolerances such that entire length of pins and stem will without undue force pass into and disengage from a flat-plate gauge having a thickness of 6,35 mm and eight holes with diameters of $1,27 \pm 0,013$ mm so located on a $9,525 \pm 0,013$ mm diameter circle that the distance along the chord between any two adjacent hole centres is $3,645 \pm 0,013$ mm and a centre hole of $5,97 + 0,025$ mm being chamfered at the top over 1,52 mm with an angle of 45 degrees.
2. This dimension around the periphery of any individual pin may vary within the limits shown.

MONOCHROME MONITOR TUBES

HIGH RESOLUTION MONOCHROME MONITOR TUBES

- For Data Graphic Displays
- 90° deflection angle
- 24 cm (9 in) face diagonal; rectangular glass
- 20 mm neck diameter
- Integral implosion protection

QUICK REFERENCE DATA

Deflection angle	90°
Face diagonal	24 cm (9 in)
Overall length	max. 227 mm
Neck diameter	20 mm
Heating	12 V/130 mA
Quick heating cathode	with a typical tube a legible picture will appear within 5 s
Grid 2 voltage	400 V
Anode voltage	12 kV
Resolution	approx. 1300 lines

APPLICATION

These high resolution tubes are for alpha-numeric and graphic display applications, such as computer terminals, small business computers, etc.

AVAILABLE VERSIONS

The following versions are available: M24-306, M24-308, M24-310 and M24-328. Differences between the tubes can be found under 'Dimensional data'.

The tubes can be supplied with different phosphors and anti-reflective treatments, see "High resolution monochrome monitor tubes, General".

ELECTRICAL DATA

Focusing method	electrostatic
Deflection method	magnetic
Deflection angles	
diagonal	approx. 90°
horizontal	approx. 82°
vertical	approx. 67°
Direct interelectrode capacitances	
cathode to all other electrodes	max. 4 pF
grid 1 to all other electrodes	max. 7 pF
Capacitance of external conductive coating to anode*	max. 850 pF min. 300 pF
Capacitance of external conductive coating to anode**	max. 750 pF min. 300 pF
Capacitance of anode to implosion protection hardware**	approx. 100 pF
Heater voltage	12 V
Heater current at 12 V	130 mA

OPTICAL DATA

Phosphor type	see "High resolution monochrome monitor tubes, General".
Light transmission at screen centre	
tube with normal tinted face glass	approx. 53%
tube with dark tinted face glass	approx. 42%

RASTER CENTRING

The field intensity perpendicular to the tube axis should be adjustable from 0 to 800 A/m. For optimum overall sharpness it is recommended to centre the raster electrically via the deflection coils.

* Implosion protection hardware connected to external conductive coating.

** Implosion protection hardware not connected to external conductive coating.

MECHANICAL DATA (see also the figures under Dimensions Data)

Overall length	max. 227 mm
Greatest dimensions of tube	
diagonal	248,5 mm
width	216 mm
height	167 mm
Minimum useful screen dimensions (projected)	
diagonal	222,5 mm
horizontal axis	193 mm
vertical axis	145 mm
area	268 cm ²
Implosion protection	T-band
Bulb	EIAJ-JB240AA03 or EIAJ-JB240AA04
Bulb contact designation	IEC 67-III-2, EIA-J1-21
Base designation	EIA E7-91
Basing	7GR
Mass	approx. 1,8 kg

RATINGS (Absolute Maximum System)

Unless otherwise specified voltage values are positive and measured with respect to grid 1.

Anode voltage	max. 15 kV min. 9,5 kV
Grid 4 (focusing electrode) voltage	-200 to + 1000 V
Grid 2 voltage	max. 700 V
Anode current	
long-term average value	max. 130 μ A
peak value	max. 300 μ A
Cathode voltage, positive peak value	max. 400 V
Heater voltage	12 V \pm 10% *
Cathode-to-heater voltage	max. 100 V

* For maximum cathode life it is recommended that the heater supply be regulated at 12 V $\begin{matrix} +0\% \\ -5\% \end{matrix}$.

CIRCUIT DESIGN VALUES

Grid 4 current		
positive	max.	25 μ A
negative	max.	25 μ A
Grid 2 current		
positive	max.	5 μ A
negative	max.	5 μ A

MAXIMUM CIRCUIT VALUES

Resistance between cathode and heater	max.	1,0 $M\Omega$
Impedance between cathode and heater	max.	0,1 $M\Omega$
Grid 1 circuit resistance	max.	1,5 $M\Omega$
Grid 1 circuit impedance	max.	0,5 $M\Omega$

TYPICAL OPERATING CONDITIONS

Cathode drive; voltages specified with respect to grid 1

Anode voltage	12 kV
Grid 4 (focusing electrode) voltage	0 to 300 V*
Grid 2 voltage	400 V
Cathode cut-off voltage	30 to 60 V**

Grid drive; voltages specified with respect to cathode

Anode voltage	12 kV
Grid 4 (focusing electrode) voltage	0 to 300 V*
Grid 2 voltage	400 V
Grid 1 cut-off voltage	34 to 64 V**

RESOLUTION

The resolution is approx. 1300 lines. It is measured at the screen centre:

- with shrinking raster method,
- at light output 68,5 cd/m² (20 foot lambert) and raster dimensions 168 mm x 126 mm,
- at $V_{g2} = 700$ V and anode voltage = 12 kV,
- with phosphor type W (WW),
- with normal tinted face glass, without anti-glare treatment of screen surface.

X-RADIATION CHARACTERISTIC

X-radiation emitted will not exceed 0,5 mR/h throughout the useful life of the tube, when operated within the given ratings.

* Measured at screen centre on spot at anode current = 250 μ A (peak), anode voltage = 12 kV, grid 2 voltage = 400 V.

Dynamic focus (only for optimization): Typical correction for a video field of H x V = 168 mm x 126 mm:
line parabola 200 V;
field parabola 100 V.

** Visual extinction of focused raster.

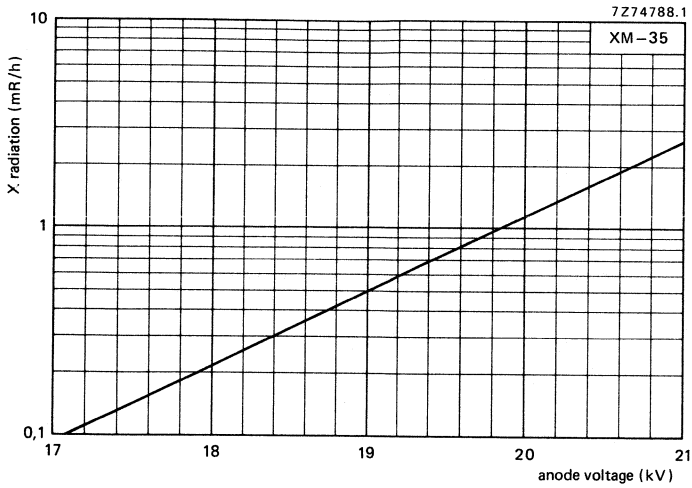


Fig. 1 X-radiation limit curve according to JEDEC94, at a constant anode current of 250 μ A, measured according to TEPAC103A.

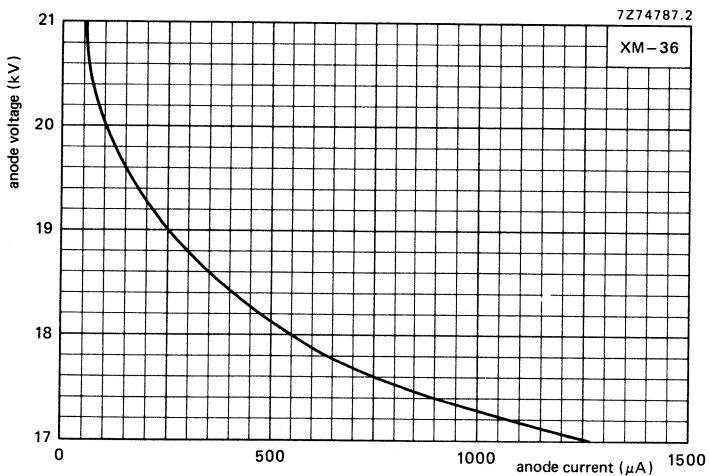


Fig. 2 0,5 mR/h isoexposure-rate limit curve, according to JEDEC94, measured according to TEPAC103A.

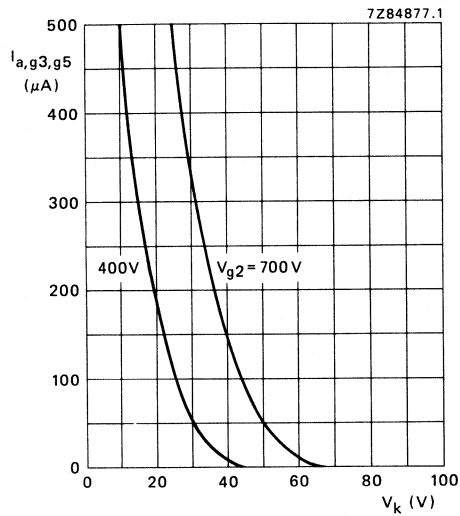


Fig. 3 Anode current as a function of cathode voltage.
Cathode drive; $V_{a,g3,g5} = 12\text{ kV}$.

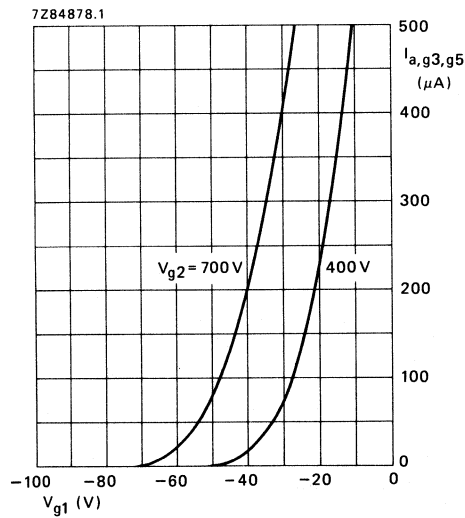


Fig. 4 Anode current as a function of grid 1 voltage.
Grid drive; $V_{a,g3,g5} = 12\text{ kV}$.

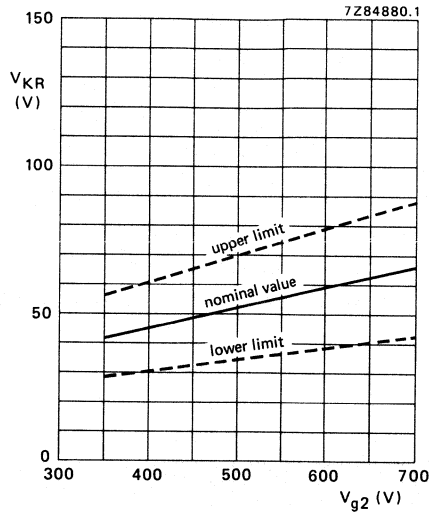


Fig. 5 Limits of cathode cut-off voltage as a function of grid 2 voltage.
Cathode drive; $V_{a,g3,g5} = 12$ kV.

$$\frac{\Delta V_{KR}}{\Delta V_{a,g3,g5}} = 0,9 \times 10^{-3}.$$

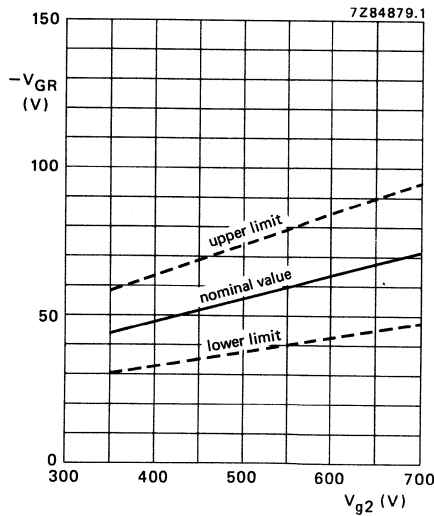
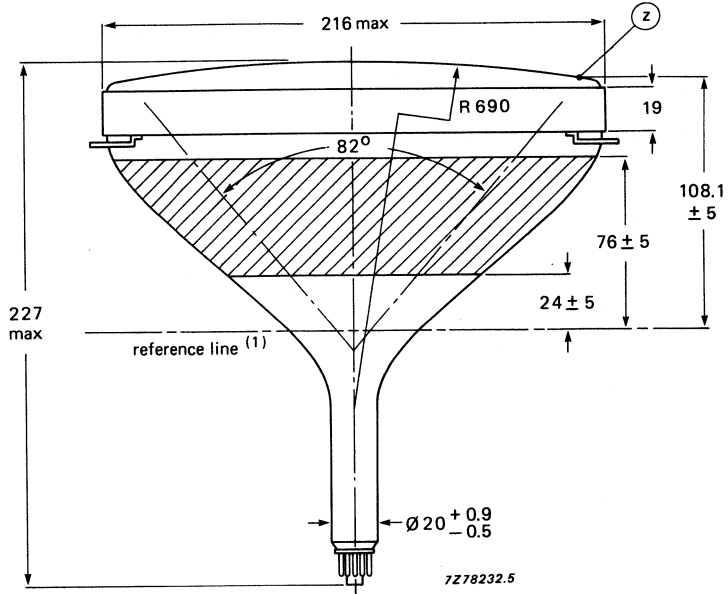


Fig. 6 Limits of grid 1 cut-off voltage as a function of grid 2 voltage.
Grid drive, $V_{a,g3,g5} = 12$ kV.

$$\frac{\Delta V_{GR}}{\Delta V_{a,g3,g5}} = 0,9 \times 10^{-3}.$$

DIMENSIONAL DATA

Dimensions in mm



→ Fig. 7.

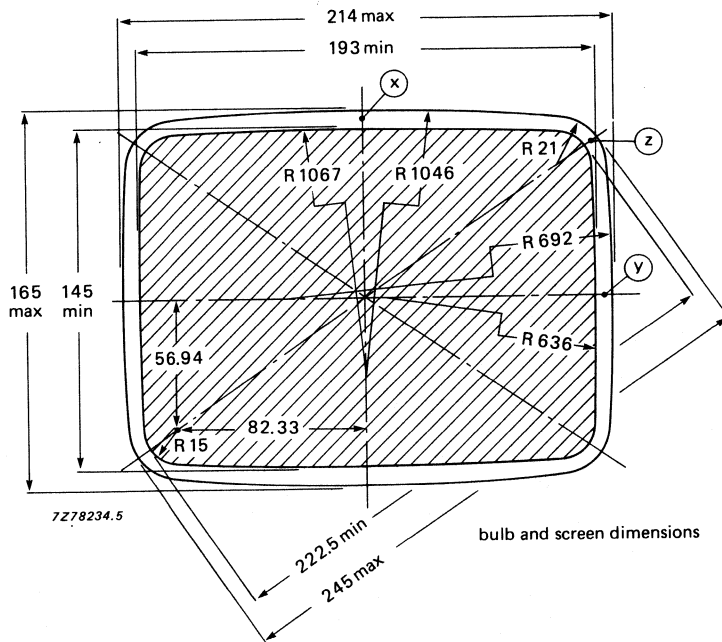


Fig. 8.

(1) The reference line is determined by the plane of the upper edge of reference line gauge D when the gauge is resting on the cone.

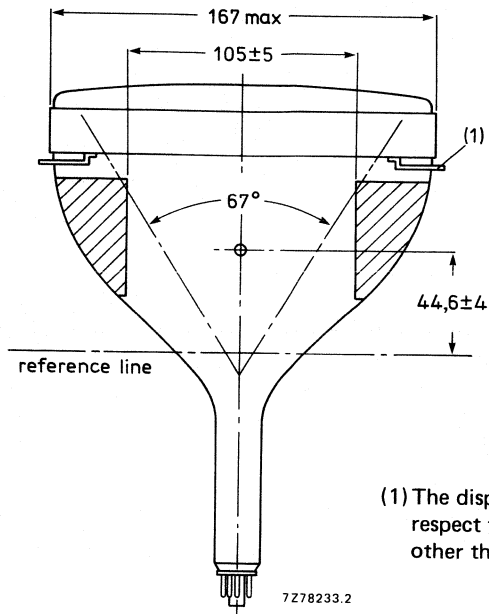


Fig. 9.

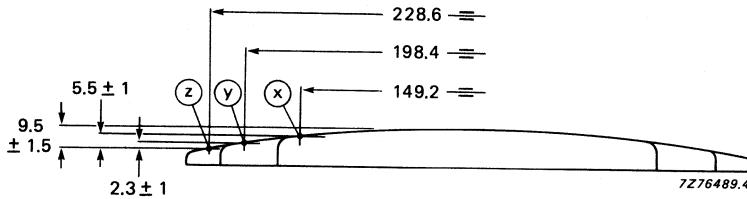


Fig. 10 Screen reference points.

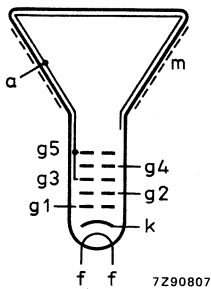


Fig. 11 Electrode configuration.

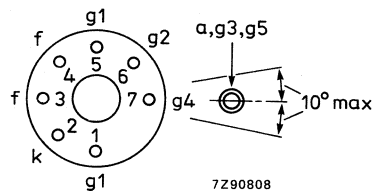


Fig. 12 Pin arrangement.

Front view and lug dimensions of tube M24-306

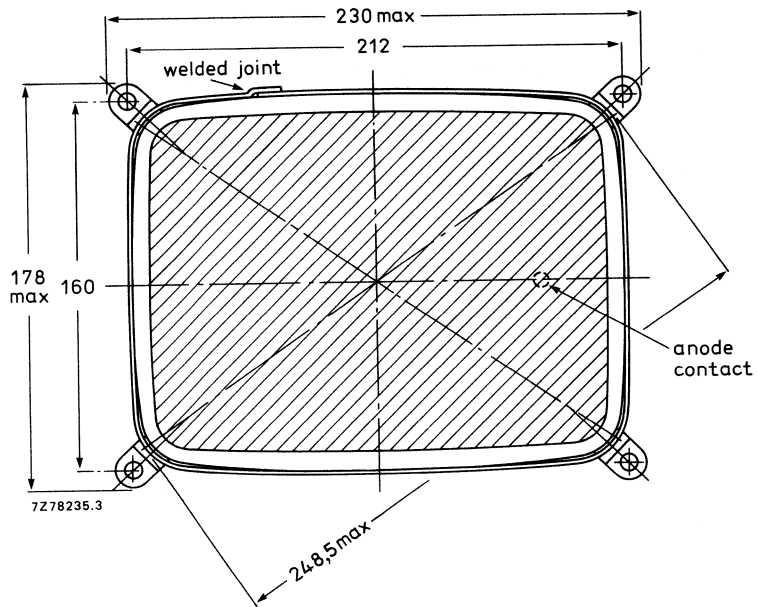


Fig. 13 Tube mounting dimensions; front view.

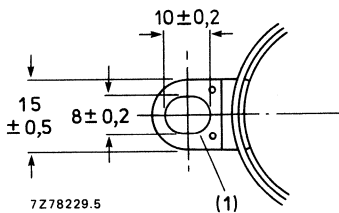


Fig. 14 Lug dimensions.

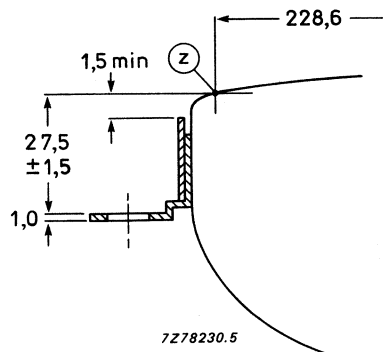


Fig. 15 Lug position.

(1) The position of the mounting screws in the cabinet must be within a circle of 5 mm diameter drawn around the true geometrical positions, i.e. the corners of a rectangle of 212 mm x 160 mm.

Front view and lug dimensions of tube M24-308

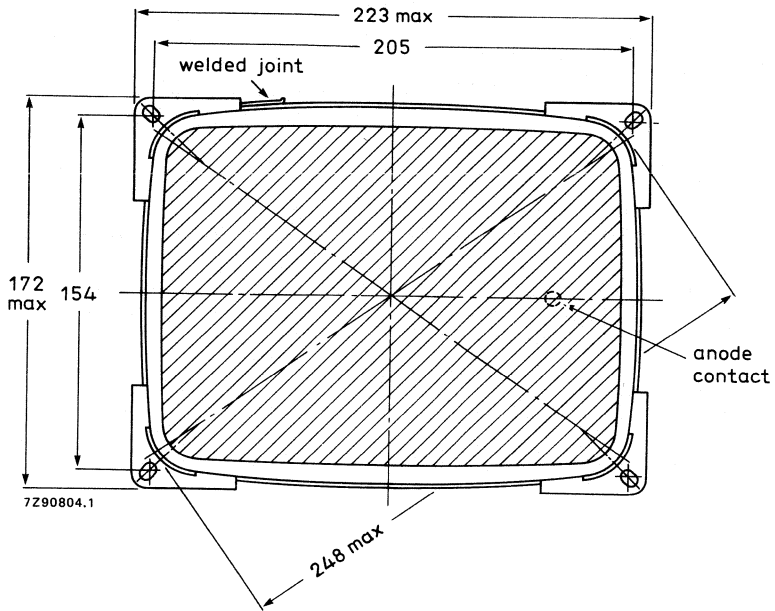


Fig. 16 Tube mounting dimensions; front view.

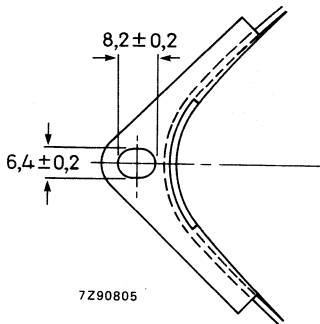


Fig. 17 Lug dimensions.

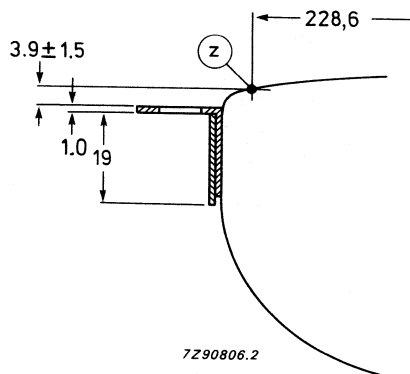


Fig. 18 Lug position.

(1) The position of the mounting screws in the cabinet must be within a circle of 3,4 mm diameter drawn around the true geometrical positions, i.e. the corners of a rectangle of 205 mm x 154 mm.

Front view and lug dimensions of tube M24-310

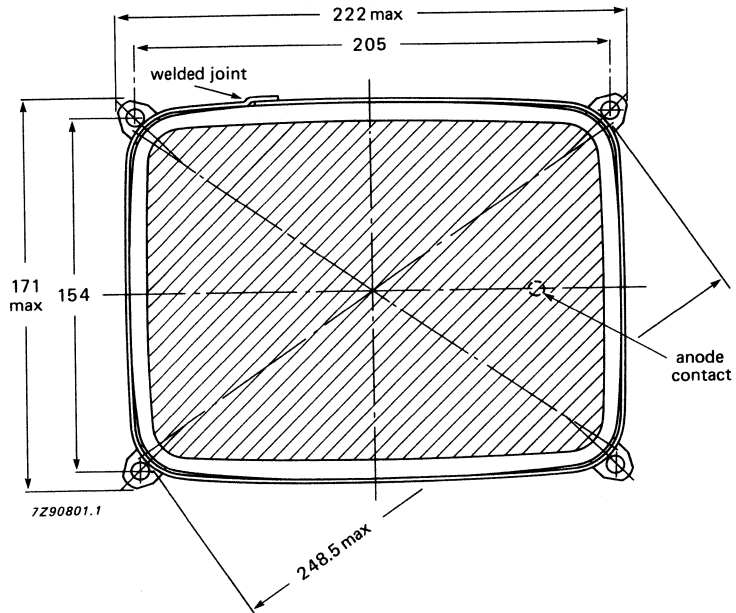


Fig. 19 Tube mounting dimensions; front view.

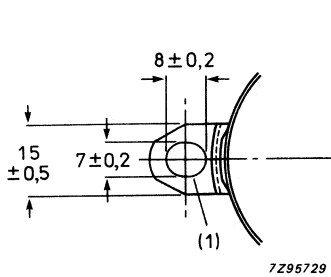


Fig. 20 Lug dimensions:

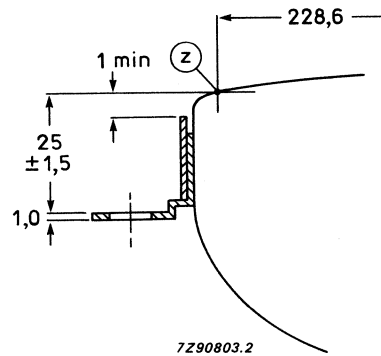


Fig. 21 Lug position.

(1) The position of the mounting screws in the cabinet must be within a circle of 4 mm diameter drawn around the true geometrical positions, i.e. the corners of a rectangle of 205 mm x 154 mm.

Front view and lug dimensions of tube M24-328 *

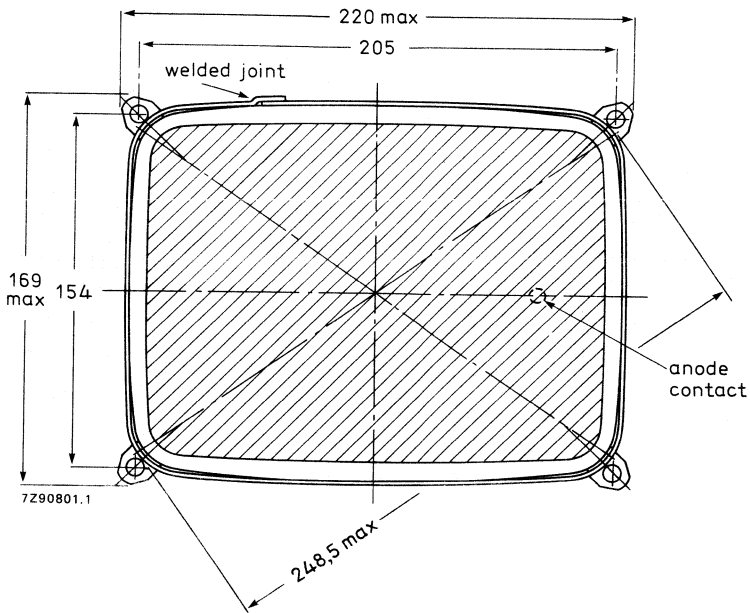


Fig. 22 Tube mounting dimensions; front view.

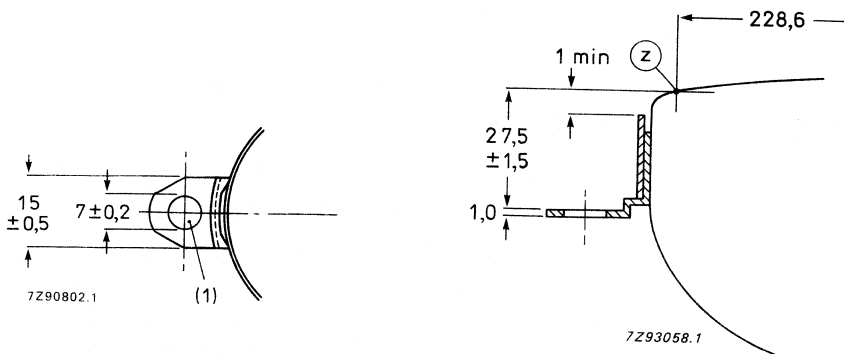


Fig. 23 Lug dimensions.

Fig. 24 Lug position.

(1) The position of the mounting screws in the cabinet must be within a circle of 4 mm diameter drawn around the true geometrical positions, i.e. the corners of a rectangle of 205 mm x 154 mm.

* This tube is still under development; data are provisional.

Maximum cone contour

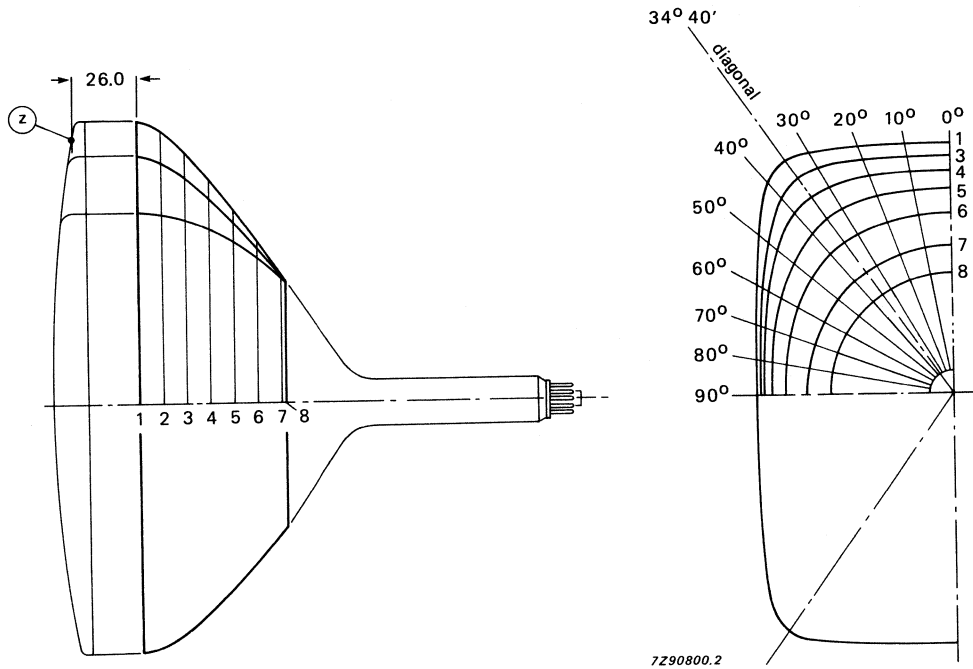


Fig. 25 Cone contour.

Table 1 Cone contour data

section	nom. distance from section 1	max. distance from centre										
		0°	10°	20°	30°	diag.	40°	50°	60°	70°	80°	90°
1	0	108,3	109,8	114,2	121,9	123,9	121,6	106,6	95,6	88,8	85,0	83,8
2	10	105,4	106,8	111,0	117,7	119,4	117,4	104,4	93,9	87,3	83,7	82,5
3	20	98,0	99,2	102,9	107,8	109,2	108,1	99,1	90,0	83,9	80,6	79,5
4	30	88,4	89,4	92,2	95,7	96,6	96,2	91,0	84,2	79,0	76,1	75,1
5	40	78,1	78,9	81,0	83,2	83,8	83,8	81,2	76,8	72,9	70,5	69,7
6	50	66,8	67,4	68,8	70,4	70,9	71,2	70,3	68,1	65,6	63,8	63,2
7	60	54,5	54,9	55,8	56,8	57,2	57,5	57,5	56,8	55,8	54,9	54,5
8	61,2	53,0	53,3	54,2	55,1	55,4	55,7	55,7	55,2	54,3	53,4	53,1

HIGH RESOLUTION MONOCHROME MONITOR TUBES

- For Data Graphic Displays
- 90° deflection angle
- 24 cm (9 in) face diagonal; rectangular glass
- 20 mm neck diameter
- Integral implosion protection

QUICK REFERENCE DATA

Deflection angle	90°
Face diagonal	24 cm (9 in)
Overall length	max. 227 mm
Neck diameter	20 mm
Heating	12 V/75 mA
Grid 2 voltage	400 V
Anode voltage	12 kV
Resolution	approx. 1300 lines

APPLICATION

These high resolution tubes are for alpha numeric and graphic display applications, such as computer terminals, small business computers, etc.

AVAILABLE VERSIONS

The following versions are available: M24-322 and M24-326. Differences between the tubes can be found under 'Dimensional data'.

The tubes can be supplied with different phosphors and anti-reflective treatments, see "High resolution monochrome monitor tubes, General".

ELECTRICAL DATA

Focusing method	electrostatic
Deflection method	magnetic
Deflection angles	
diagonal	approx. 90°
horizontal	approx. 82°
vertical	approx. 67°
Direct interelectrode capacitances	
cathode to all other electrodes	max. 5 pF
grid 1 to all other electrodes	max. 6 pF
Capacitance of external conductive coating to anode*	max. 850 pF min. 300 pF
Capacitance of external conductive coating to anode**	max. 750 pF min. 300 pF
Capacitance of anode to implosion protection hardware**	approx. 100 pF
Heater voltage	12 V
Heater current at 12 V	75 mA

OPTICAL DATA

Phosphor type	see "High resolution monochrome monitor tubes, General"
Light transmission at screen centre	
tube with normal tinted face glass	approx. 53%
tube with dark tinted face glass	approx. 42%

RASTER CENTRING

The field intensity perpendicular to the tube axis should be adjustable from 0 to 800 A/m. For optimum overall sharpness it is recommended to centre the raster electrically via the deflection coils.

* Implosion protection hardware connected to external conductive coating.
** Implosion protection hardware not connected to external conductive coating.

MECHANICAL DATA (see also the figures under Dimensions Data)

Overall length	max. 227 mm
Greatest dimensions of tube	
diagonal	248,5 mm
width	216 mm
height	167 mm
Minimum useful screen dimensions (projected)	
diagonal	222,5 mm
horizontal axis	193 mm
vertical axis	145 mm
area	268 cm ²
Implosion protection	T-band
Bulb	EIAJ-JB240AA03 or EIAJ-JB240AA04
Bulb contact designation	IEC 67-III-2, EIA-J1-21
Base designation	EIA E7-91
Basing	7GR
Mass	approx. 1,8 kg

RATINGS (Absolute Maximum System)

Unless otherwise specified voltage values are positive and measured with respect to grid 1.

Anode voltage	max. 15 kV min. 9,5 kV
Grid 4 (focusing electrode) voltage	-200 to + 1000 V
Grid 2 voltage	max. 700 V
Anode current	
long-term average value	max. 130 μ A
peak value	max. 300 μ A
Cathode voltage, positive peak value	max. 400 V
Heater voltage	12 V \pm 10% *
Cathode-to-heater voltage	max. 100 V

* For maximum cathode life it is recommended that the heater supply be regulated at 12 V $\begin{matrix} +0\% \\ -5\% \end{matrix}$

CIRCUIT DESIGN VALUES

Grid 4 current		
positive	max.	25 μ A
negative	max.	25 μ A
Grid 2 current		
positive	max.	5 μ A
negative	max.	5 μ A

MAXIMUM CIRCUIT VALUES

Resistance between cathode and heater	max.	1,0 $M\Omega$
Impedance between cathode and heater	max.	0,1 $M\Omega$
Grid 1 circuit resistance	max.	1,5 $M\Omega$
Grid 1 circuit impedance	max.	0,5 $M\Omega$

TYPICAL OPERATING CONDITIONS

Cathode drive; voltages specified with respect to grid 1

Anode voltage	12 kV
Grid 4 (focusing electrode) voltage	0 to 300 V*
Grid 2 voltage	400 V
Cathode cut-off voltage	30 to 60 V**

Grid drive; voltages specified with respect to cathode

Anode voltage	12 kV
Grid 4 (focusing electrode) voltage	0 to 300 V*
Grid 2 voltage	400 V
Grid 1 cut-off voltage	34 to 64 V**

RESOLUTION

The resolution is approx. 1300 lines. It is measured at the screen centre:

- with shrinking raster method,
- at light output 68,5 cd/m² (20 foot lambert) and raster dimensions 168 mm x 126 mm,
- at $V_{g2} = 700$ V and anode voltage = 12 kV,
- with phosphor type W (WW),
- with normal tinted face glass, without anti-glare treatment of screen surface.

X-RADIATION CHARACTERISTIC

X-radiation emitted will not exceed 0,5 mR/h throughout the useful life of the tube, when operated within the given ratings.

* Measured at screen centre on spot at anode current = 250 μ A (peak), anode voltage = 12 kV, grid 2 voltage = 400 V.

Dynamic focus (only for optimization): Typical correction for a video field of H x V = 168 mm x 126 mm:
line parabola 200 V;
field parabola 100 V.

** Visual extinction of focused raster.

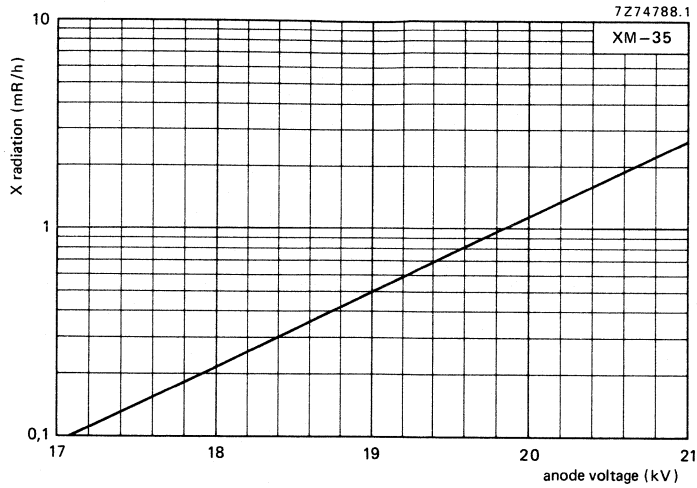


Fig. 1 X-radiation limit curve according to JEDEC94, at a constant anode current of 250 μ A, measured according to TEPAC103A.

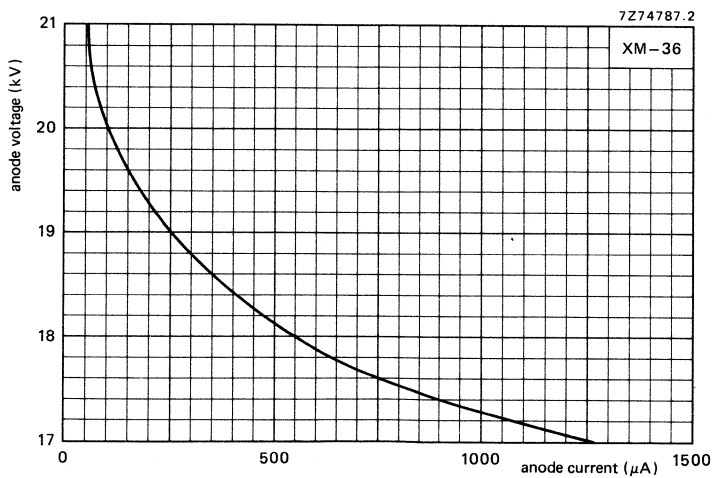


Fig. 2 0,5 mR/h isoexposure-rate limit curve, according to JEDEC94, measured according to TEPAC103A.

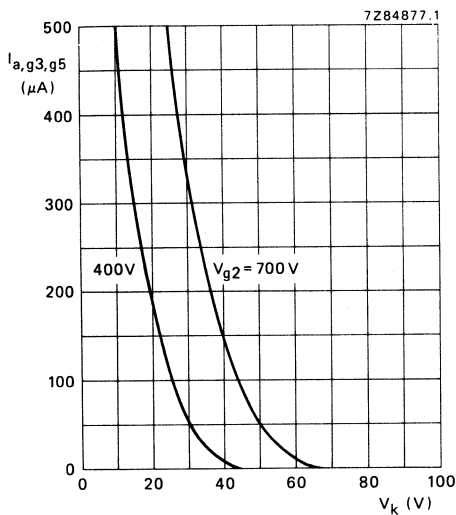


Fig. 3 Anode current as a function of cathode voltage.
Cathode drive; $V_{a,g3,g5} = 12\text{ kV}$.

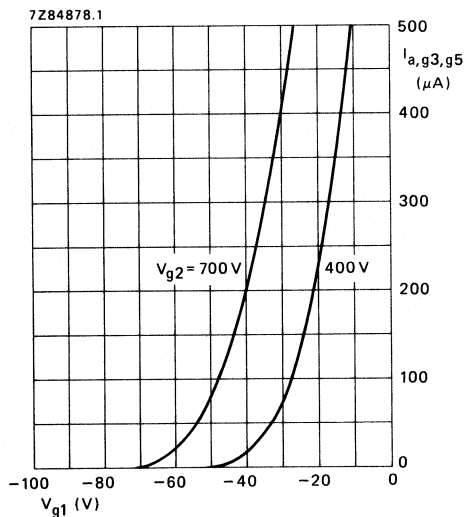


Fig. 4 Anode current as a function of grid 1 voltage.
Grid drive; $V_{a,g3,g5} = 12\text{ kV}$.

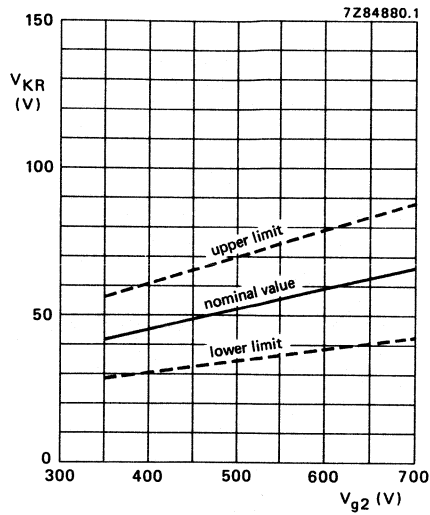


Fig. 5 Limits of cathode cut-off voltage as a function of grid 2 voltage.
Cathode drive; $V_{a,g3,g5} = 12$ kV.

$$\frac{\Delta V_{KR}}{\Delta V_{a,g3,g5}} = 0,9 \times 10^{-3}.$$

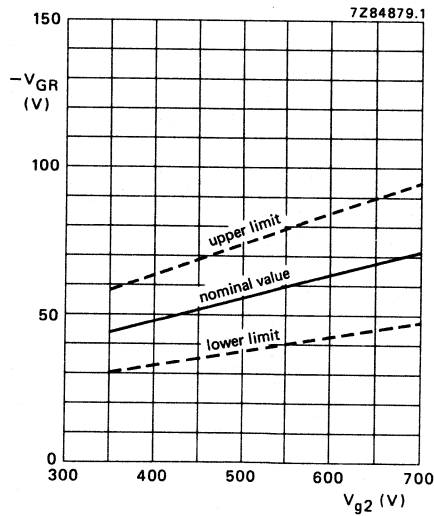


Fig. 6 Limits of grid 1 cut-off voltage as a function of grid 2 voltage.
Grid drive; $V_{a,g3,g5} = 12$ kV.

$$\frac{\Delta V_{KR}}{\Delta V_{a,g3,g5}} = 0,9 \times 10^{-3}.$$

DIMENSIONAL DATA

Dimensions in mm

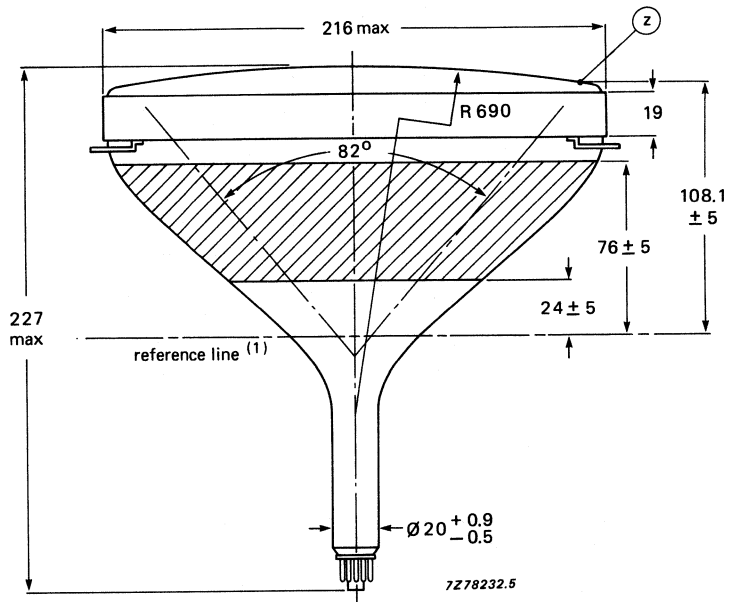


Fig. 7.

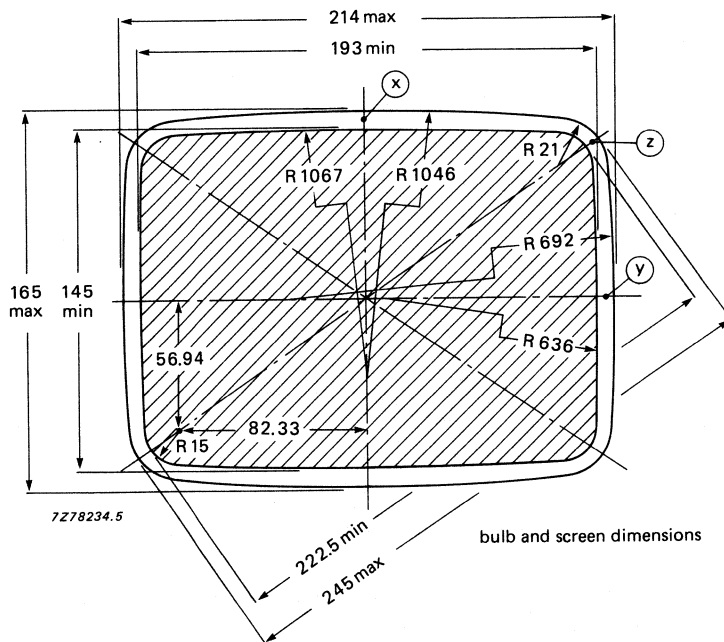
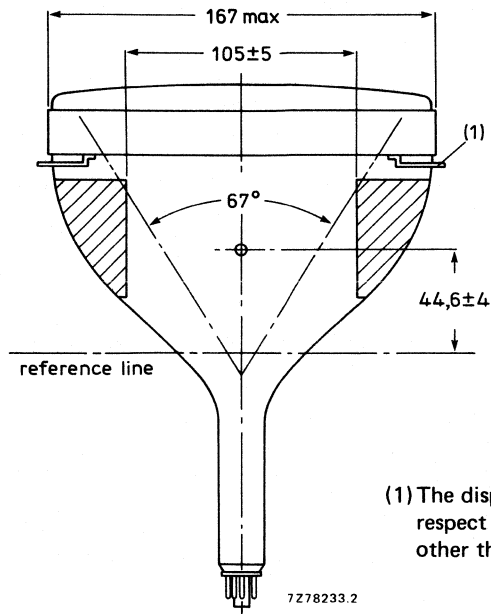


Fig. 8.

(1) The reference line is determined by the plane of the upper edge of reference line gauge D when the gauge is resting on the cone.



(1) The displacement of any lug with respect to the plane through the other three lugs is max. 1,8 mm.

Fig. 9.

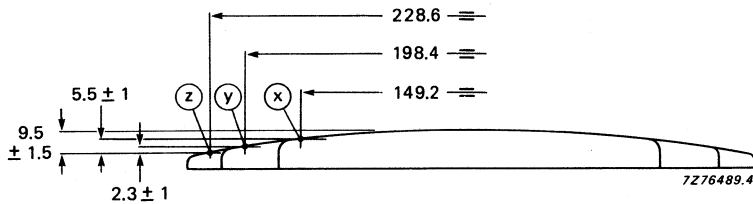


Fig. 10 Screen reference points.

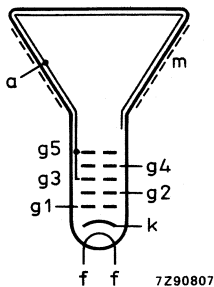


Fig. 11 Electrode configuration.

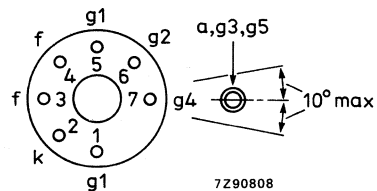


Fig. 12 Pin arrangement.

Front view and lug dimensions of tube M24-322

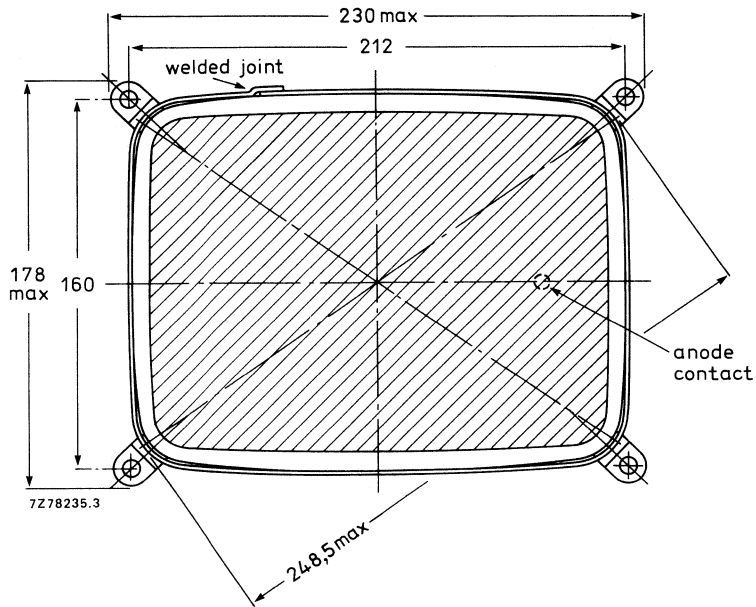


Fig. 13 Tube mounting dimensions; front view.

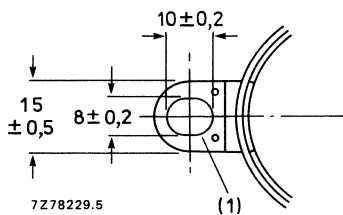


Fig. 14 Lug dimensions.

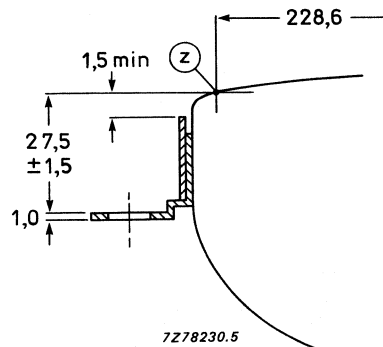


Fig. 15 Lug position.

- (1) The position of the mounting screws in the cabinet must be within a circle of 5 mm diameter drawn around the true geometrical positions, i.e. the corners of a rectangle of 212 mm x 160 mm.

Front view and lug dimensions of tube M24-326

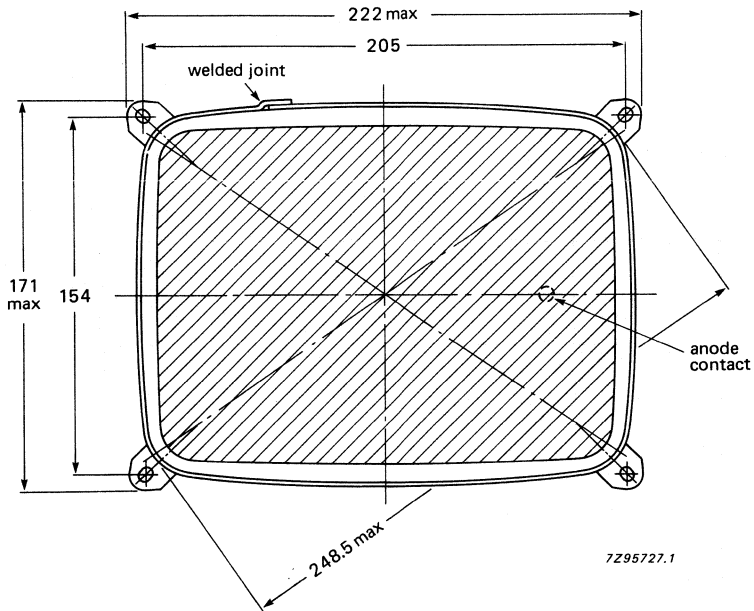


Fig. 16 Tube mounting dimensions; front view.

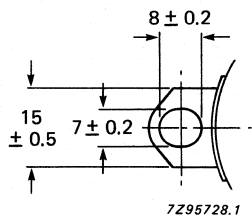


Fig. 17 Lug dimensions.

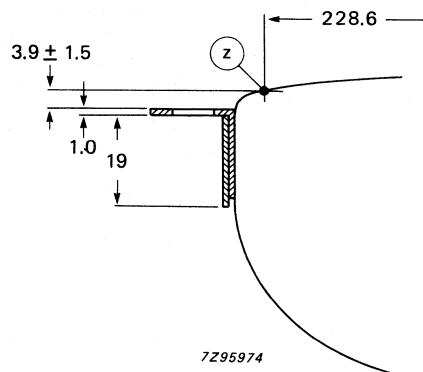


Fig. 18 Lug position.

- (1) The position of the mounting screws in the cabinet must be within a circle of 3,4 mm diameter drawn around the true geometrical positions, i.e. the corners of a rectangle of 205 mm x 154 mm.

Maximum cone contour

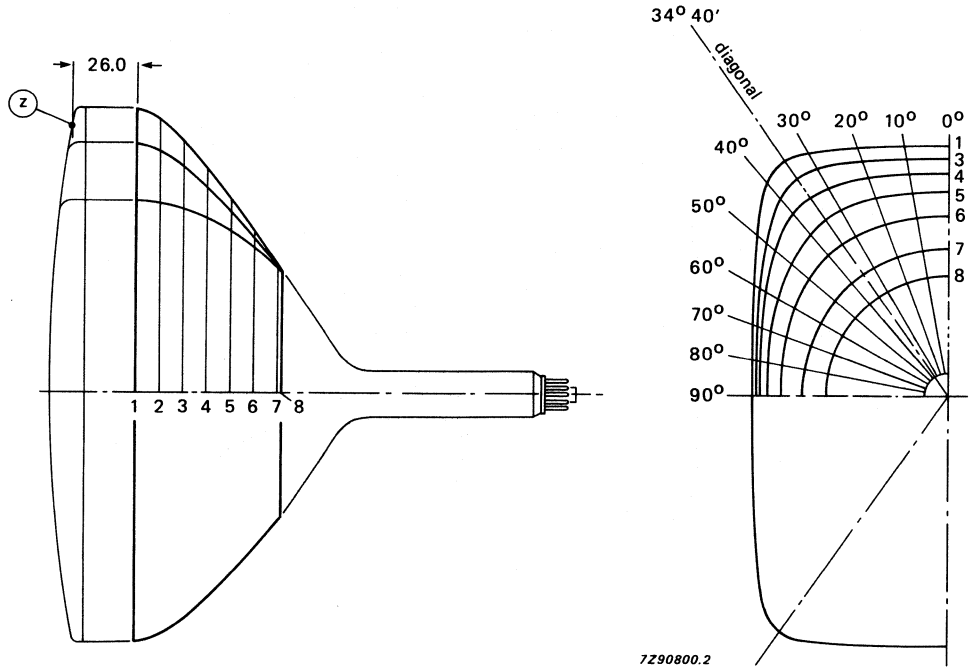


Fig. 19 Cone contour.

Table 1 Cone contour data

section	nom. distance from section 1	max. distance from centre										
		0°	10°	20°	30°	diag.	40°	50°	60°	70°	80°	90°
1	0	108,3	109,8	114,2	121,9	123,9	121,6	106,6	95,6	88,8	85,0	83,8
2	10	105,4	106,8	111,0	117,7	119,4	117,4	104,4	93,9	87,3	83,7	82,5
3	20	98,0	99,2	102,9	107,8	109,2	108,1	99,1	90,0	83,9	80,6	79,5
4	30	88,4	89,4	92,2	95,7	96,6	96,2	91,0	84,2	79,0	76,1	75,1
5	40	78,1	78,9	81,0	83,2	83,8	83,8	81,2	76,8	72,9	70,5	69,7
6	50	66,8	67,4	68,8	70,4	70,9	71,2	70,3	68,1	65,6	63,8	63,2
7	60	54,5	54,9	55,8	56,8	57,2	57,5	57,5	56,8	55,8	54,9	54,5
8	61,2	53,0	53,3	54,2	55,1	55,4	55,7	55,7	55,2	54,3	53,4	53,1

DEVELOPMENT DATA

This data sheet contains advance information and specifications are subject to change without notice.

M24-330

HIGH RESOLUTION MONOCHROME MONITOR TUBE

- For Data Graphic Displays
- 90° deflection angle
- 24 cm (9 in) face diagonal; rectangular glass
- 20 mm neck diameter
- Integral implosion protection

QUICK REFERENCE DATA

Deflection angle	90°
Face diagonal	24 cm (9 in)
Overall length	max. 227 mm
Neck diameter	20 mm
Heating	12 V/75 mA
Quick heating cathode	with a typical tube a legible picture will appear within 5 s
Grid 2 voltage	400 V
Anode voltage	12 kV
Resolution	approx. 1300 lines

APPLICATION

This high resolution tube is for alpha numeric and graphic display applications, such as computer terminals, small business computers, etc.

AVAILABLE VERSIONS

The tube can be supplied with different phosphors and anti-reflective treatments, see "High resolution monochrome monitor tubes, General".

ELECTRICAL DATA

Focusing method	electrostatic
Deflection method	magnetic
Deflection angles	
diagonal	approx. 90°
horizontal	approx. 82°
vertical	approx. 67°
Direct interelectrode capacitances	
cathode to all other electrodes	max. 4 pF
grid 1 to all other electrodes	max. 7 pF
Capacitance of external conductive coating to anode*	max. 850 pF min. 300 pF
Capacitance of external conductive coating to anode**	max. 750 pF min. 300 pF
Capacitance of anode to implosion protection hardware**	approx. 100 pF
Heater voltage	12 V
Heater current at 12 V	75 mA

OPTICAL DATA

Phosphor type	see "High resolution monochrome monitor tubes, General"
Light transmission at screen centre	
tube with normal tinted face glass	approx. 53%
tube with dark tinted face glass	approx. 42%

RASTER CENTRING

The field intensity perpendicular to the tube axis should be adjustable from 0 to 800 A/m. For optimum overall sharpness it is recommended to centre the raster electrically via the deflection coils.

* Implosion protection hardware connected to external conductive coating.

** Implosion protection hardware not connected to external conductive coating.

MECHANICAL DATA (see also the figures under Dimensional Data)

Overall length	max. 227 mm
Greatest dimensions of tube	
diagonal	248,5 mm
width	216 mm
height	167 mm
Minimum useful screen dimensions (projected)	
diagonal	222,5 mm
horizontal axis	193 mm
vertical axis	145 mm
area	268 cm ²
Implosion protection	T-band
Bulb	EIAJ-JB240AA03 or EIAJ-JB240AA04
Bulb contact designation	IEC 67-III-2, EIA-J1-21
Base designation	EIA E7-91
Basing	7GR
Mass	approx. 1,8 kg

RATINGS (Absolute Maximum System)

Unless otherwise specified voltage values are positive and measured with respect to grid 1.

Anode voltage	max. 15 kV min. 9,5 kV
Grid 4 (focusing electrode) voltage	-200 to + 1000 V
Grid 2 voltage	max. 700 V
Anode current	
long-term average value	max. 130 μ A
peak value	max. 300 μ A
Cathode voltage, positive peak value	max. 400 V
Heater voltage	12 V \pm 10% *
Cathode-to-heater voltage	max. 100 V

DEVELOPMENT DATA

* For maximum cathode life it is recommended that the heater supply be regulated at 12 V $\begin{matrix} + 0\% \\ - 5\% \end{matrix}$.

CIRCUIT DESIGN VALUES

Grid 4 current		
positive	max.	25 μ A
negative	max.	25 μ A
Grid 2 current		
positive	max.	5 μ A
negative	max.	5 μ A

MAXIMUM CIRCUIT VALUES

Resistance between cathode and heater	max.	1,0 $M\Omega$
Impedance between cathode and heater	max.	0,1 $M\Omega$
Grid 1 circuit resistance	max.	1,5 $M\Omega$
Grid 1 circuit impedance	max.	0,5 $M\Omega$

TYPICAL OPERATING CONDITIONS

Cathode drive; voltages specified with respect to grid 1

Anode voltage	12 kV
Grid 4 (focusing electrode) voltage	0 to 300 V*
Grid 2 voltage	400 V
Cathode cut-off voltage	30 to 60 V**

Grid drive; voltages specified with respect to cathode

Anode voltage	12 kV
Grid 4 (focusing electrode) voltage	0 to 300 V*
Grid 2 voltage	400 V
Grid 1 cut-off voltage	34 to 64 V**

RESOLUTION

The resolution is approx. 1300 lines. It is measured at the screen centre:

- with shrinking raster method
- at light output 68,5 cd/m² (20 foot lambert) and raster dimensions 168 mm x 126 mm
- at $V_{g2} = 700$ V and anode voltage = 12 kV
- with phosphor type W (WW)
- with normal tinted face glass, without anti-glare treatment of screen surface

X-RADIATION CHARACTERISTICS

X-radiation emitted will not exceed 0,5 mR/h throughout the useful life of the tube, when operated within the given ratings.

* Measured at screen centre on spot at anode current = 250 μ A (peak), anode voltage = 12 kV, grid 2 voltage = 400 V.

Dynamic focus (only for optimization): Typical correction for a video field of H x V = 168 mm x 126 mm:
line parabola 200 V;
field parabola 100 V.

** Visual extinction of focused raster.

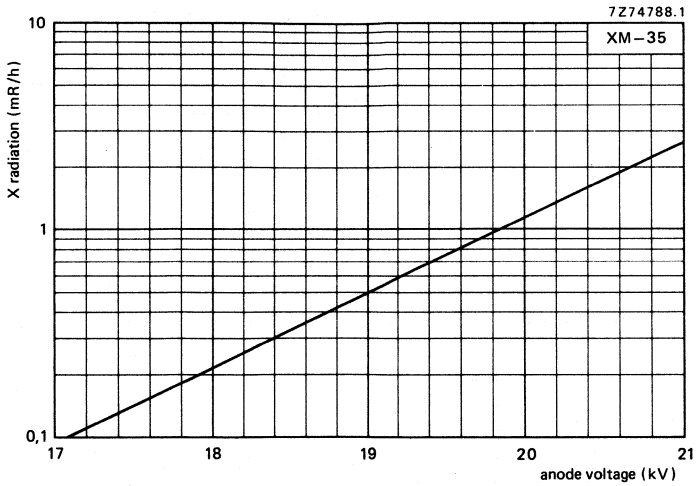


Fig. 1 X-radiation limit curve according to JEDEC94, at a constant anode current of 250 μ A, measured according to TEPAC103A.

DEVELOPMENT DATA

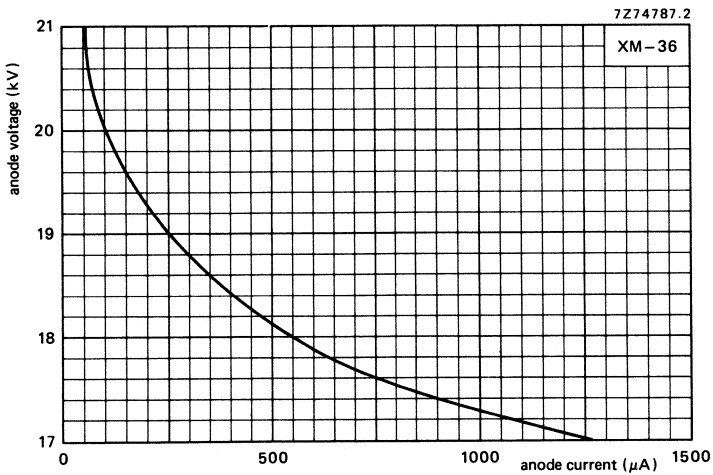


Fig. 2 0,5 mR/h isoexposure-rate limit curve, according to JEDEC94, measured according to TEPAC103A.

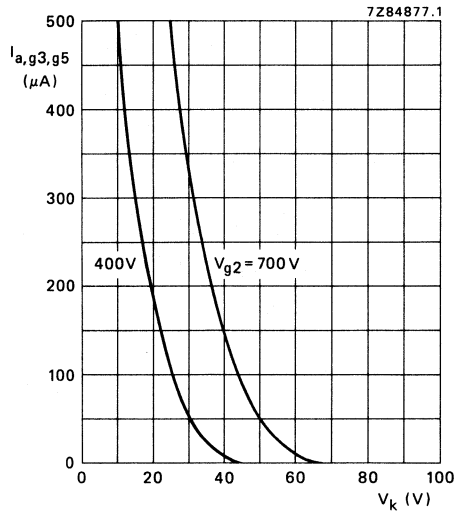


Fig. 3 Anode current as a function of cathode voltage.
Cathode drive; $V_{a,g3,g5} = 12$ kV.

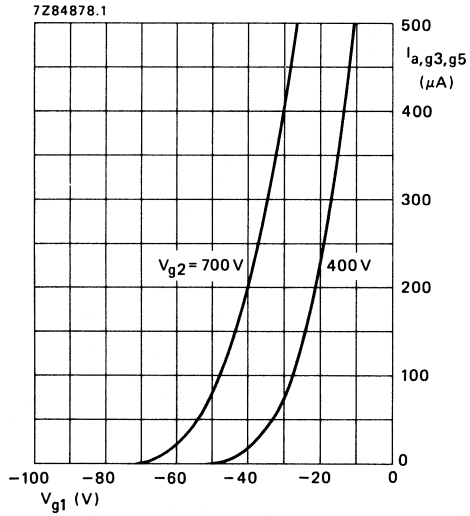


Fig. 4 Anode current as a function of grid 1 voltage.
Grid drive; $V_{a,g3,g5} = 12$ kV.

DEVELOPMENT DATA

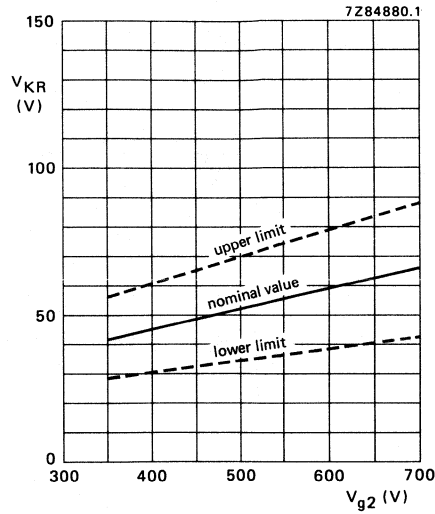


Fig. 5 Limits of cathode cut-off voltage as a function of grid 2 voltage. Cathode drive; $V_{a,g3,g5} = 12$ kV.

$$\frac{\Delta V_{KR}}{\Delta V_{a,g3,g5}} = 0,9 \times 10^{-3}$$

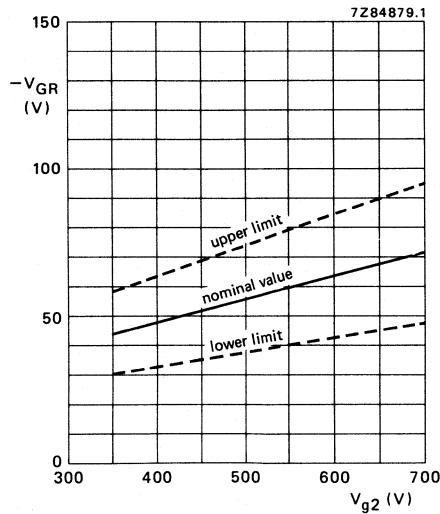


Fig. 6 Limits of grid 1 cut-off voltage as a function of grid 2 voltage. Grid drive; $V_{a,g3,g5} = 12$ kV.

$$\frac{\Delta V_{GR}}{\Delta V_{a,g3,g5}} = 0,9 \times 10^{-3}$$

DIMENSIONAL DATA

Dimensions in mm

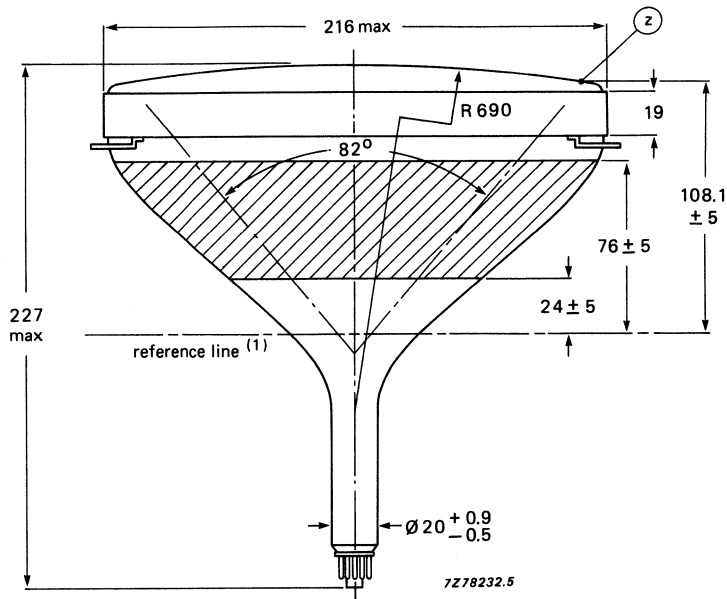


Fig. 7.

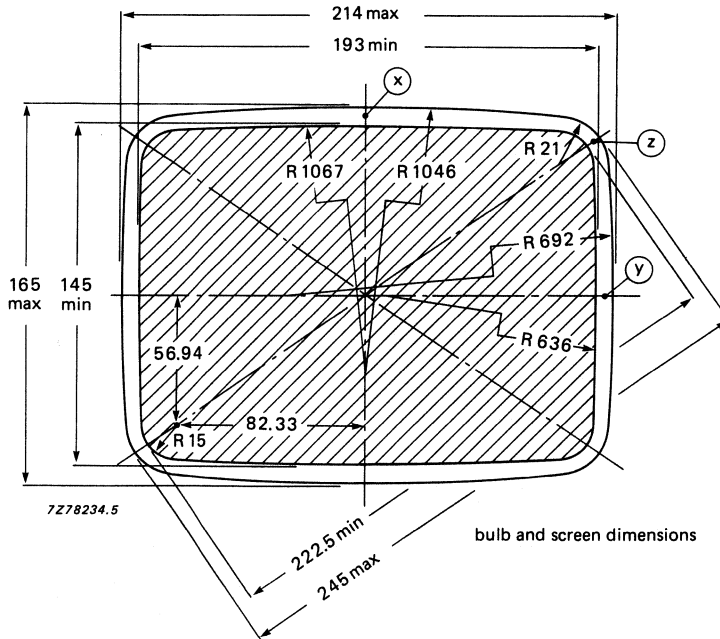
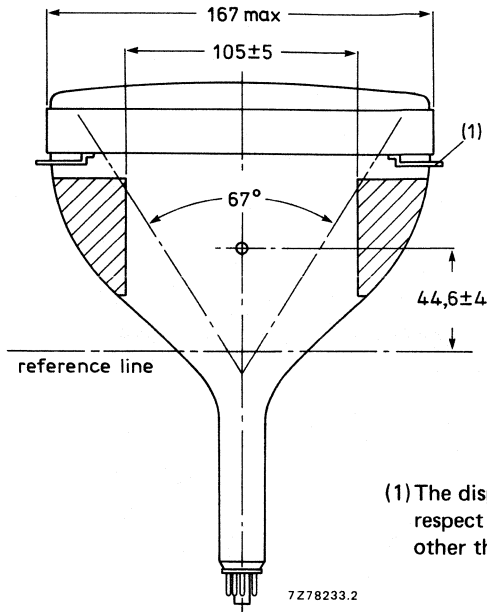


Fig. 8.

(1) The reference line is determined by the plane of the upper edge of reference line gauge D when the gauge is resting on the cone.

DEVELOPMENT DATA



(1) The displacement of any lug with respect to the plane through the other three lugs is max. 1,8 mm.

Fig. 9.

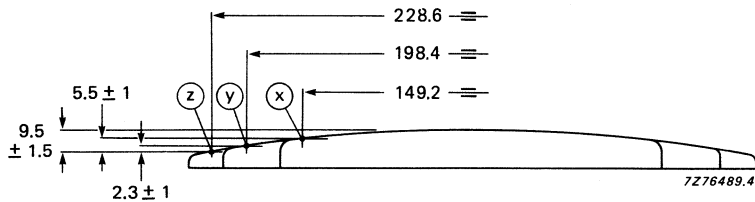


Fig. 10 Screen reference points.

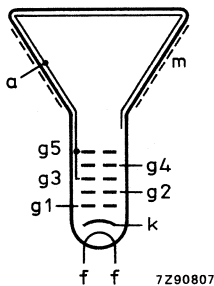


Fig. 11 Electrode configuration.

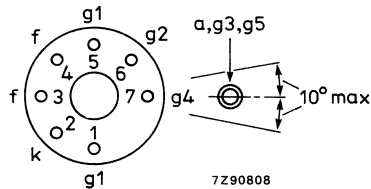


Fig. 12 Pin arrangement; bottom view.

Front view and lug dimensions

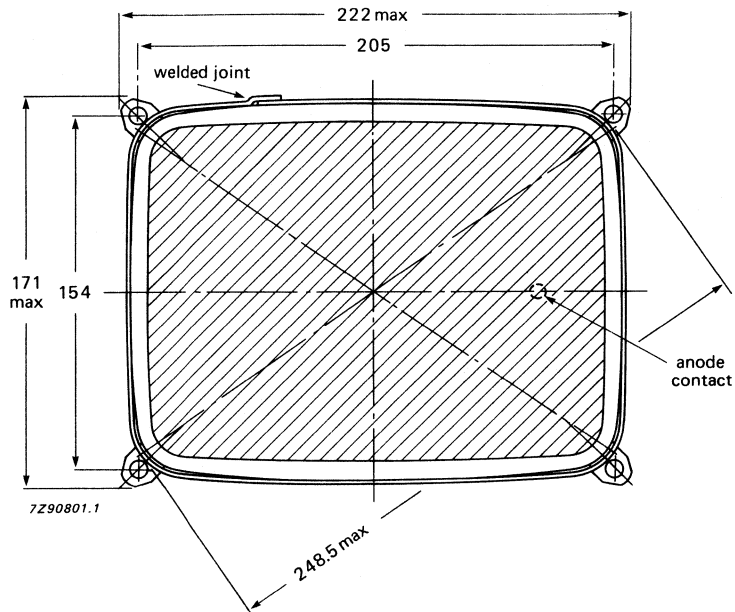


Fig. 13 Tube mounting dimensions; front view.

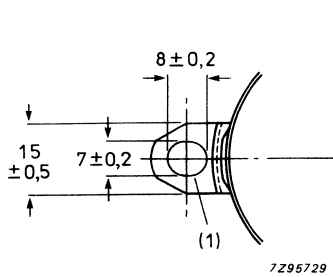


Fig. 14 Lug dimensions.

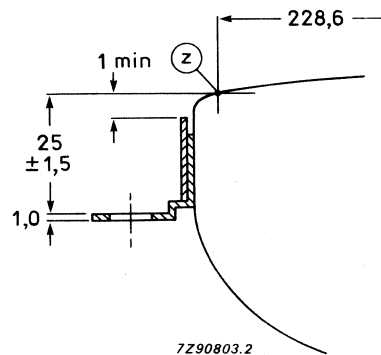


Fig. 15 Lug position.

(1) The position of the mounting screws in the cabinet must be within a circle of 4 mm diameter drawn around the true geometrical positions, i.e. the corners of a rectangle of 205 mm x 154 mm.

Maximum cone contour

DEVELOPMENT DATA

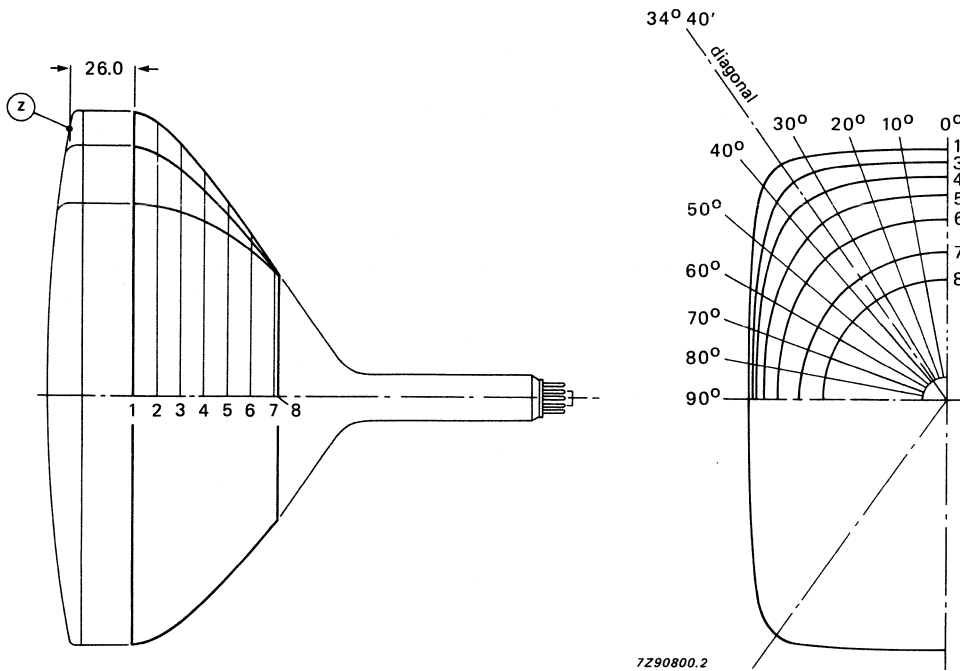


Fig. 16 Cone contour.

Table 1 Cone contour data

section	nom. distance from section 1	max. distance from centre										
		0°	10°	20°	30°	diag.	40°	50°	60°	70°	80°	90°
1	0	108,3	109,8	114,2	121,9	123,9	121,6	106,6	95,6	88,8	85,0	83,8
2	10	105,4	106,8	111,0	117,7	119,4	117,4	104,4	93,9	87,3	83,7	82,5
3	20	98,0	99,2	102,9	107,8	109,2	108,1	99,1	90,0	83,9	80,6	79,5
4	30	88,4	89,4	92,2	95,7	96,6	96,2	91,0	84,2	79,0	76,1	75,1
5	40	78,1	78,9	81,0	83,2	83,8	83,8	81,2	76,8	72,9	70,5	69,7
6	50	66,8	67,4	68,8	70,4	70,9	71,2	70,3	68,1	65,6	63,8	63,2
7	60	54,5	54,9	55,8	56,8	57,2	57,5	57,5	56,8	55,8	54,9	54,5
8	61,2	53,0	53,3	54,2	55,1	55,4	55,7	55,7	55,2	54,3	53,4	53,1

MONOCHROME MONITOR TUBE

- 90° deflection angle
- 24 cm (9 in) face diagonal; rectangular glass
- 20 mm neck diameter
- Integral implosion protection

QUICK REFERENCE DATA

Deflection angle	90°
Face diagonal	24 cm (9 in)
Overall length	max. 227 mm
Neck diameter	20 mm
Heating	11 V/140 mA
Quick heating cathode	with a typical tube a legible picture will appear within 5 s
Grid 2 voltage	130 V
Anode voltage	12 kV
Resolution	approx. 800 lines

APPLICATION

This monitor tube is for alpha numeric and graphic display applications, such as computer terminals, small business computers, etc.

ELECTRICAL DATA

Focusing method	electrostatic
Deflection method	magnetic
Deflection angles	
diagonal	approx. 90°
horizontal	approx. 82°
vertical	approx. 67°
Direct interelectrode capacitances	
cathode to all other electrodes	max. 4 pF
grid 1 to all other electrodes	max. 8 pF
Capacitance of external conductive coating to anode*	max. 850 pF min. 300 pF
Capacitance of external conductive coating to anode**	max. 750 pF min. 300 pF
Capacitance of anode to implosion protection hardware**	approx. 100 pF
Heater voltage	11 V
Heater current at 11 V	140 mA

OPTICAL DATA

Phosphor type	W (P4)
Light transmission at screen centre	approx. 53%

RASTER CENTRING

The field intensity perpendicular to the tube axis should be adjustable from 0 to 800 A/m. For optimum overall sharpness it is recommended to centre the raster electrically via the deflection coils.

* Implosion protection hardware connected to external conductive coating.

** Implosion protection hardware not connected to external conductive coating.

MECHANICAL DATA (see also the figures under Dimensions Data)

Overall length	max. 227 mm
Greatest dimensions of tube	
diagonal	249,5 mm
width	216 mm
height	167 mm
Minimum useful screen dimensions (projected)	
diagonal	222,5 mm
horizontal axis	193 mm
vertical axis	145 mm
area	268 cm ²
Implosion protection	T-band
Bulb	EIAJ-JB240AA03
Bulb contact designation	IEC 67-III-2, EIA-J1-21
Base designation	EIA E7-91
Basing	7GR
Mass	approx. 1,8 kg

RATINGS (Absolute Maximum System)

Unless otherwise specified voltage values are positive and measured with respect to grid 1.

Anode voltage	max. 15 kV min. 9,5 kV
Grid 4 (focusing electrode) voltage	-200 to +500 V
Grid 2 voltage	max. 200 V
Cathode voltage, positive peak value	max. 200 V
Heater voltage	11 V ± 10% *
Cathode-to-heater voltage	max. 100 V

CIRCUIT DESIGN VALUES

Grid 4 current	
positive	max. 25 μA
negative	max. 25 μA
Grid 2 current	
positive	max. 5 μA
negative	max. 5 μA

MAXIMUM CIRCUIT VALUES

Resistance between cathode and heater	max. 1,0 MΩ
Impedance between cathode and heater	max. 0,1 MΩ
Grid 1 circuit resistance	max. 1,5 MΩ
Grid 1 circuit impedance	max. 0,5 MΩ

* For maximum cathode life it is recommended that the heater supply be regulated at 11 V ^{+0%}_{-5%}.

TYPICAL OPERATING CONDITIONS

Cathode drive; voltages specified with respect to grid 1

Anode voltage	12 kV
Grid 4 (focusing electrode) voltage	130 V*
Grid 2 voltage	130 V
Cathode cut-off voltage	45 to 65 V**

RESOLUTION

The resolution is approx. 800 lines. It is measured at the screen centre:

- with shrinking raster method,
- at light output 68,5 cd/m² (20 foot lambert) and raster dimensions 168 mm x 126 mm,
- at V_{g2} = 200 V and anode voltage = 12 kV,
- with phosphor type W (WW)
- with normal tinted face glass, without anti-glare treatment of screen surface.

X-RADIATION CHARACTERISTIC

X-radiation emitted will not exceed 0,5 mR/h throughout the useful life of the tube, when operated within the given ratings.

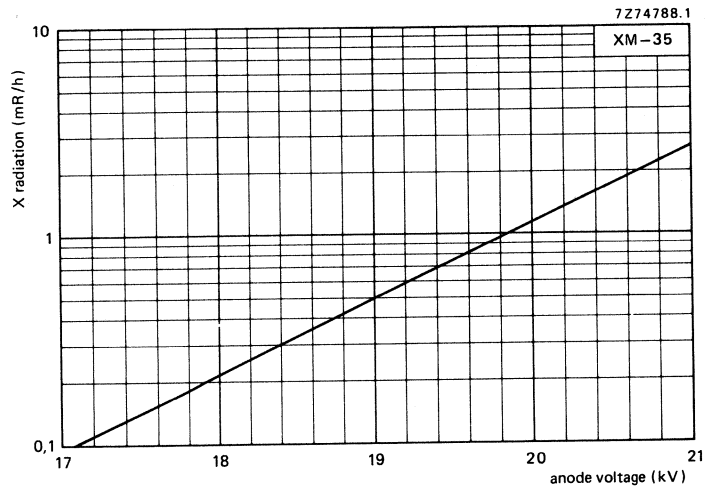


Fig.1 X-radiation limit curve according to JEDEC94, at a constant anode current of 250 μA, measured according TEPAC103A.

- * Measured at screen centre on spot at anode current = 250 μA (peak), anode voltage = 12 kV, grid 2 voltage = 130 V.
Because of the flat focus characteristic it is sufficient to choose a focusing voltage between 0 V and + 130 V. The optimum focus voltage of individual tubes may be between - 150 and + 50 V.
- ** Visual extinction of focused raster.

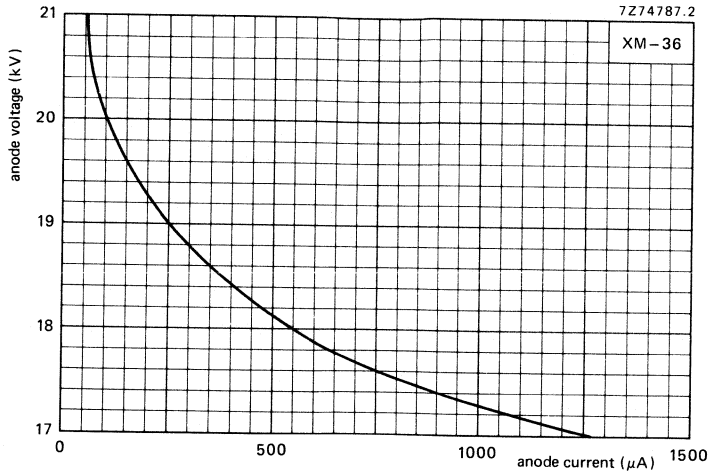


Fig. 2 0,5 mR/h isoexposure-rate limit curve, according to JEDEC94, measured according to TEPAC103A.

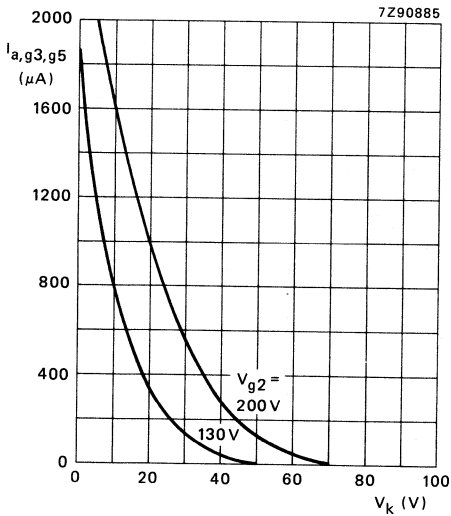


Fig. 3 Anode current as a function of cathode voltage.
Cathode drive; $V_{a,g3,g5} = 12$ kV.

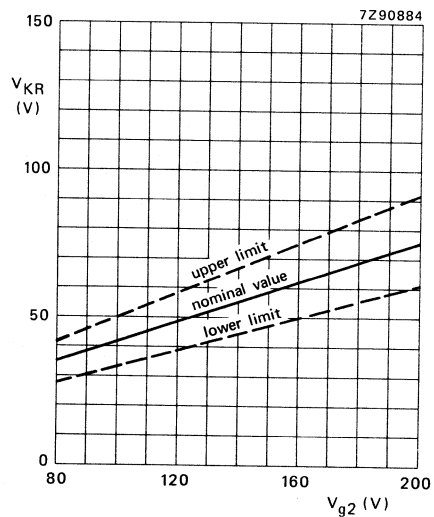
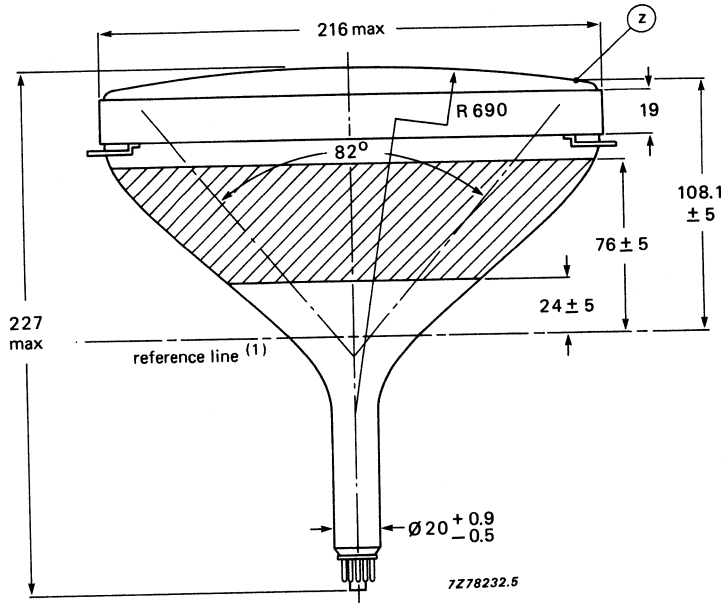


Fig. 4 Limits of cathode cut-off voltage as a function of grid 2 voltage.
Cathode drive; $V_{a,g3,g5} = 12$ kV.

$$\frac{\Delta V_{KR}}{\Delta V_{a,g3,g5}} = 0,3 \times 10^{-3}$$

DIMENSIONAL DATA

Dimensions in mm



→ Fig. 5.

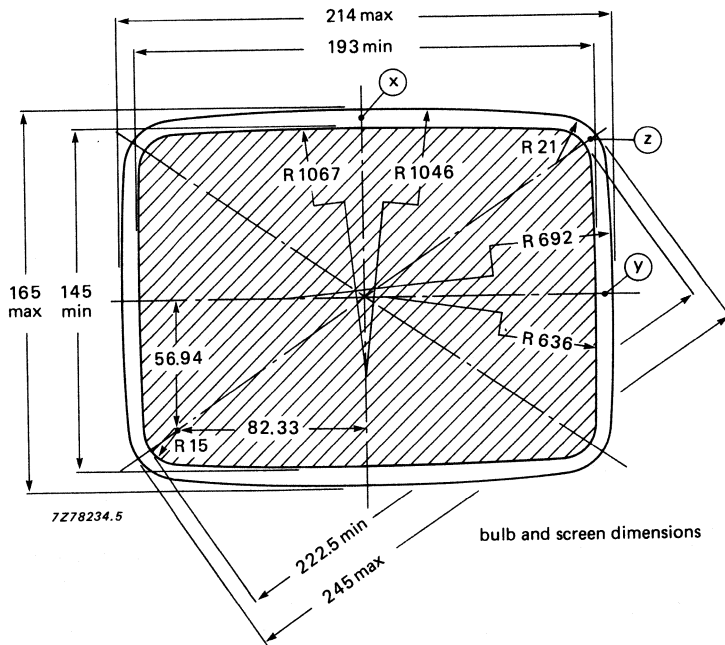


Fig. 6.

(1) The reference line is determined by the plane of the upper edge of reference line gauge D when the gauge is resting on the cone.

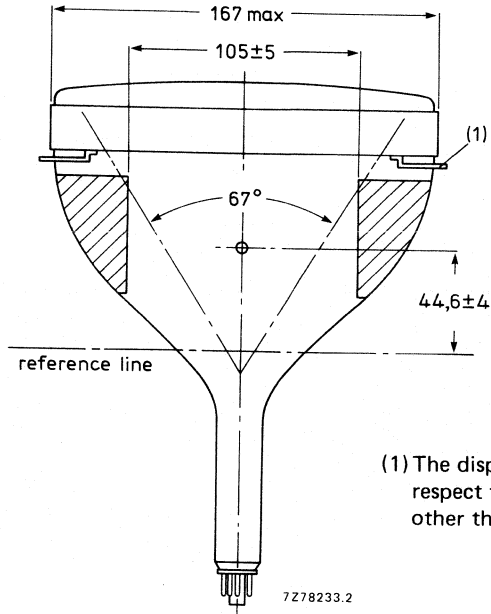


Fig. 7.

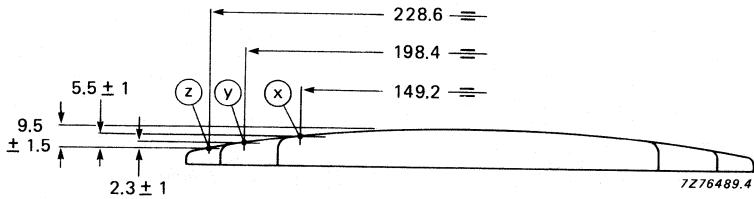


Fig. 8 Screen reference points.

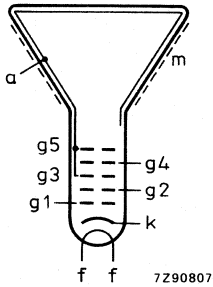


Fig. 9 Electrode configuration.

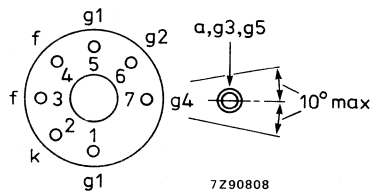


Fig. 10 Pin arrangement.

Front view and lug dimensions of tube

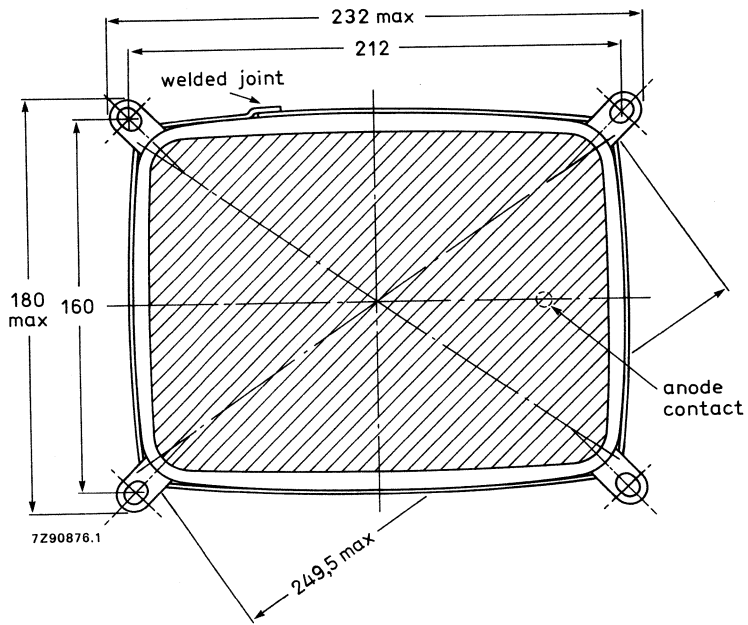


Fig. 11 Tube mounting dimensions; front view.

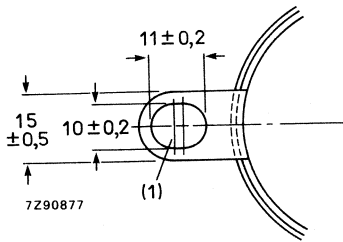


Fig. 12 Lug dimensions.

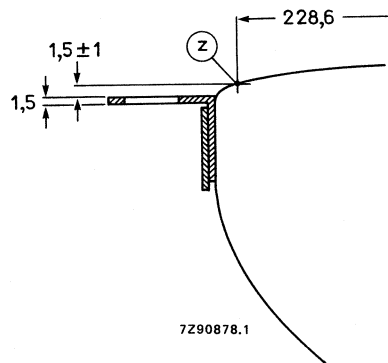


Fig. 13 Lug position.

(1) The position of the mounting screws in the cabinet must be within a circle of 7 mm diameter drawn around the true geometrical positions, i.e. the corners of a rectangle of 212 mm x 160 mm.

Maximum cone contour

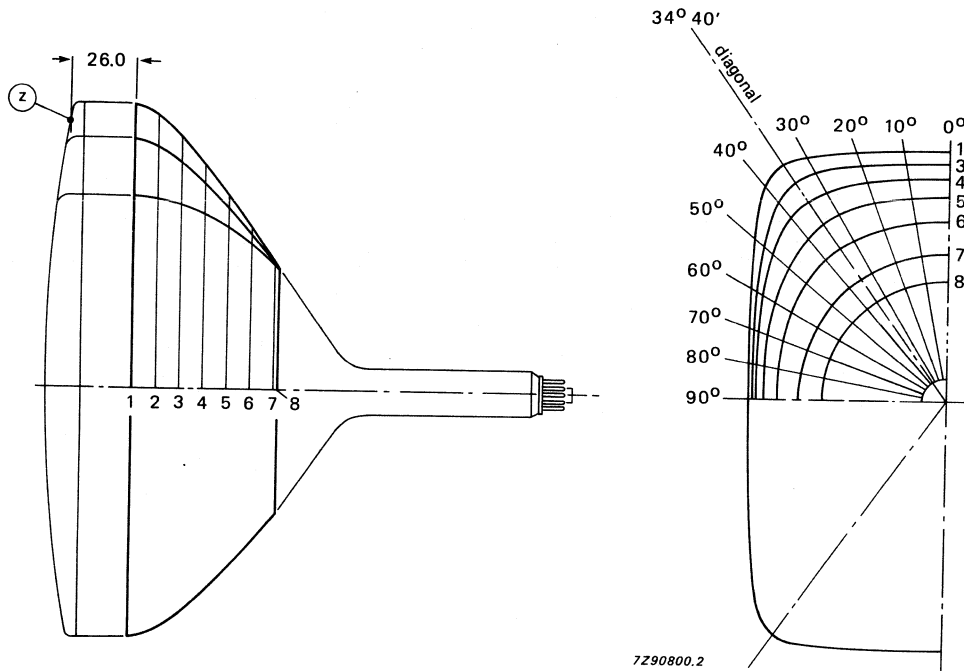


Fig. 14 Cone contour.

Table 1 Cone contour data

section	nom. distance from section 1	max. distance from centre										
		0°	10°	20°	30°	diag.	40°	50°	60°	70°	80°	90°
1	0	108,3	109,8	114,2	121,9	123,9	121,6	106,6	95,6	88,8	85,0	83,8
2	10	105,4	106,8	111,0	117,7	119,4	117,4	104,4	93,9	87,3	83,7	82,5
3	20	98,0	99,2	102,9	107,8	109,2	108,1	99,1	90,0	83,9	80,6	79,5
4	30	88,4	89,4	92,2	95,7	96,6	96,2	91,0	84,2	79,0	76,1	75,1
5	40	78,1	78,9	81,0	83,2	83,8	83,8	81,2	76,8	72,9	70,5	69,7
6	50	66,8	67,4	68,8	70,4	70,9	71,2	70,3	68,1	65,6	63,8	63,2
7	60	54,5	54,9	55,8	56,8	57,2	57,5	57,5	56,8	55,8	54,9	54,5
8	61,2	53,0	53,3	54,2	55,1	55,4	55,7	55,7	55,2	54,3	53,4	53,1

FLAT SQUARE HIGH RESOLUTION MONOCHROME MONITOR TUBES

- For Data Graphic Displays
- 90° deflection angle
- 31 cm (12 in) face diagonal; rectangular glass
- 1200 mm radius of screen curvature
- 20 mm neck diameter
- Integral implosion protection

QUICK REFERENCE DATA

Deflection angle	90°
Face diagonal	31 cm (12 in)
Overall length	max. 275 mm
Neck diameter	20 mm
Heating	12 V/130 mA
Quick heating cathode	with a typical tube a legible picture will appear within 5 s
Grid 2 voltage	400 V
Anode voltage	12 kV
Resolution	approx. 1300 lines

APPLICATION

These high resolution tubes are for alpha numeric and graphic display applications, such as computer terminals, small business computers, etc.

AVAILABLE VERSIONS

The following versions are available: M29EAA and M29EAB.

The tubes can be supplied with different phosphors and anti-reflective treatments, see "High resolution monochrome monitor tubes, General".

Differences between the tubes can be found under 'Dimensional data'.

ELECTRICAL DATA

Focusing method	electrostatic
Deflection method	magnetic
Deflection angles	
diagonal	approx. 90°
horizontal	approx. 79°
vertical	approx. 61°
Interelectrode capacitances	
cathode to all other electrodes	max. 4 pF
grid 1 to all other electrodes	max. 7 pF
Capacitance of external conductive coating to anode*	max. 1250 pF min. 800 pF
Heater voltage	12 V
Heater current at 12 V	130 mA

OPTICAL DATA

Phosphor type	see "High resolution monochrome monitor tubes, General"
Light transmission at screen centre	
tube with normal tinted face glass	approx. 43%
tube with dark tinted face glass	approx. 32%

RASTER CENTRING

The field intensity perpendicular to the tube axis should be adjustable from 0 to 800 A/m. For optimum overall sharpness it is recommended to centre the raster electrically via the deflection coils.

* Implosion protection hardware connected to external conductive coating.

FLAT SQUARE

High resolution monochrome monitor tubes

**M29EAA
M29EAB****MECHANICAL DATA** (see also the figures under Dimensional Data)

Overall length	max. 275 mm
Greatest dimensions of tube	
diagonal	323,5 mm
width	273 mm
height	212,5 mm
Minimum useful screen dimensions (projected)	
diagonal	294 mm
horizontal axis	246 mm
vertical axis	181 mm
area	440 cm ²
Implosion protection	T-band
Bulb	EIAJ-JB320AA03 or EIAJ-JB320AA04
Bulb contact designation	IEC 67-III-2, EIAJ1-21
Base designation	EIA E7-91
Basing	7GR
Mass	approx. 3,5 kg

RATINGS (Absolute Maximum System)

Unless otherwise specified voltage values are positive and measured with respect to grid 1.

Anode voltage	max. 15 kV min. 10 kV
Grid 4 (focusing electrode) voltage	-200 to + 1000 V
Grid 2 voltage	max. 700 V
Anode current	
long-term average value	max. 130 μ A
peak value	max. 300 μ A
Cathode voltage, positive peak value	max. 400 V
Heater voltage	12 V \pm 10%*
Cathode-to-heater voltage	max. 100 V

* For maximum cathode life it is recommended that the heater supply be regulated at 12 V $\begin{matrix} +0\% \\ -5\% \end{matrix}$.

CIRCUIT DESIGN VALUES

Grid 4 current	
positive	max. 25 μ A
negative	max. 25 μ A
Grid 2 current	
positive	max. 5 μ A
negative	max. 5 μ A

MAXIMUM CIRCUIT VALUES

Resistance between cathode and heater	max. 1,0 M Ω
Impedance between cathode and heater	max. 0,1 M Ω
Grid 1 circuit resistance	max. 1,5 M Ω
Grid 1 circuit impedance	max. 0,5 M Ω

TYPICAL OPERATING CONDITIONS

Cathode drive; voltages specified with respect to grid 1

Anode voltage	12 kV
Grid 4 (focusing electrode) voltage	0 to 300 V*
Grid 2 voltage	400 V
Cathode cut-off voltage	30 to 60 V**

Grid drive; voltages specified with respect to cathode

Anode voltage	12 kV
Grid 4 (focusing electrode) voltage	0 to 300 V*
Grid 2 voltage	400 V
Grid 1 cut-off voltage	34 to 64 V**

RESOLUTION

The resolution is approx. 1300 lines. It is measured at the screen centre:

- with shrinking raster method,
- at light output 68,5 cd/m² (20 foot lambert) and raster dimensions 216 mm x 162 mm,
- at $V_{g2} = 700$ V and anode voltage = 12 kV,
- with phosphor type W (WW),
- with normal tinted face glass, without anti-glare treatment of screen surface.

X-RADIATION CHARACTERISTIC

X-radiation emitted will not exceed 0,5 mR/h throughout the useful life of the tube, when operated within the given ratings.

* Measured at screen centre on spot at anode current = 250 μ A (peak), anode voltage = 12 kV, grid 2 voltage = 400 V.

Dynamic focus (only for optimization): Typical correction for a video field of H x V = 216 mm x 162 mm:
line parabola 250 V,
field parabola 0 V.

** Visual extinction of focused raster.

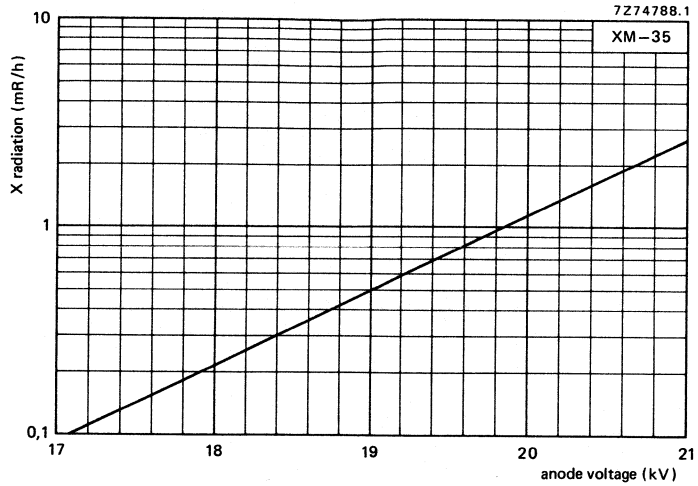


Fig. 1 X-radiation limit curve according to JEDEC 94, at a constant anode current of 250 μ A, measured according to TEPAC103A.

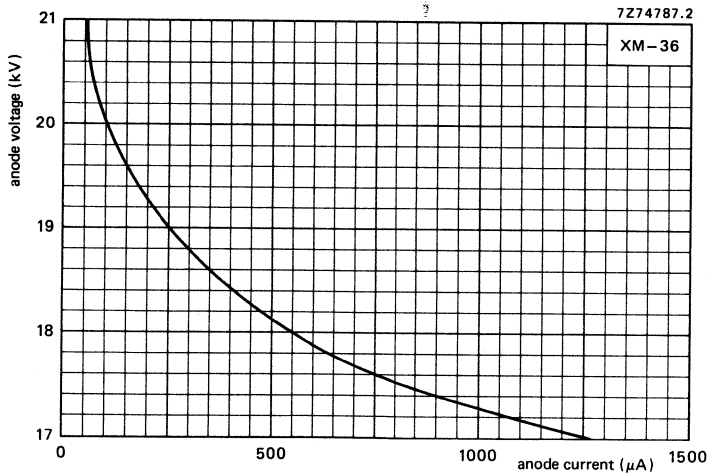


Fig. 2 0,5 mR/h isoexposure-rate limit curve, according to JEDEC 94, measured according to TEPAC103A.

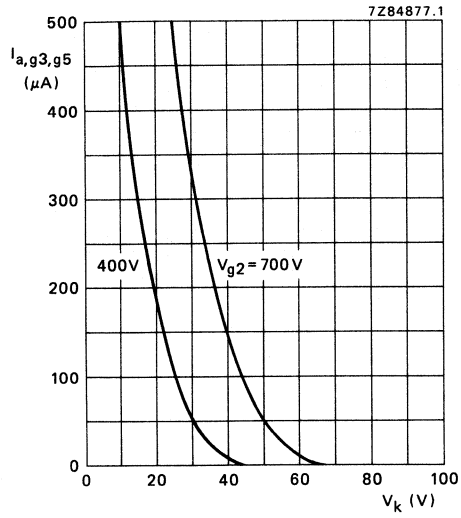


Fig. 3 Anode current as a function of cathode voltage.
Cathode drive; $V_{a,g3,g5} = 12 \text{ kV}$.

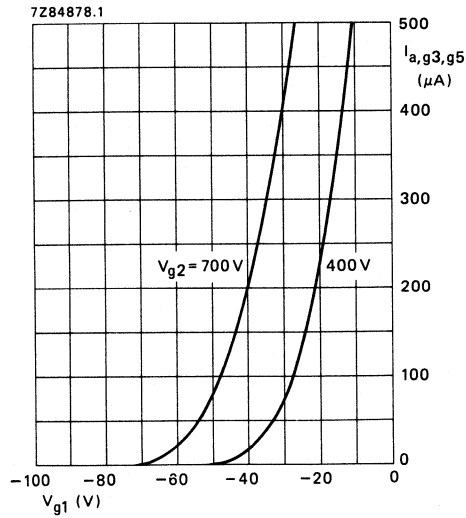


Fig. 4 Anode current as a function of grid 1 voltage.
Grid drive; $V_{a,g3,g5} = 12 \text{ kV}$.

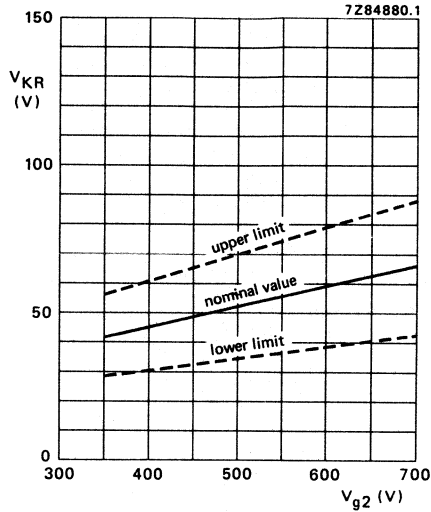


Fig. 5 Limits of cathode raster cut-off voltage as a function of grid 2 voltage.
Cathode drive; $V_{a,g3,g5} = 12$ kV.

$$\frac{\Delta V_{KR}}{\Delta V_{a,g3,g5}} = 0,9 \times 10^{-3}$$

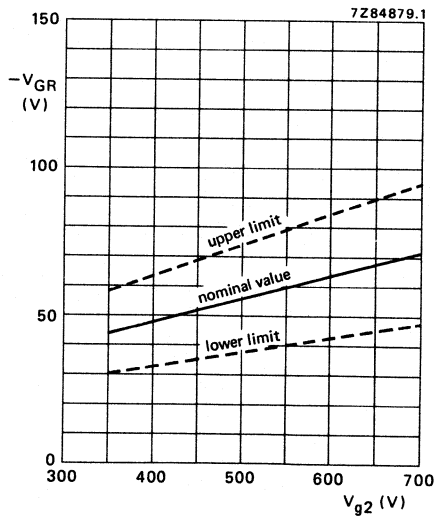
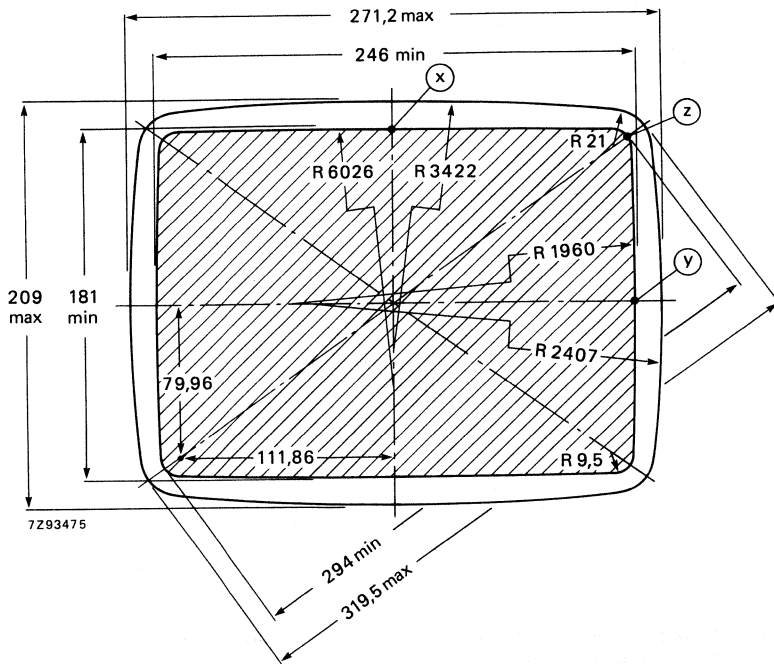
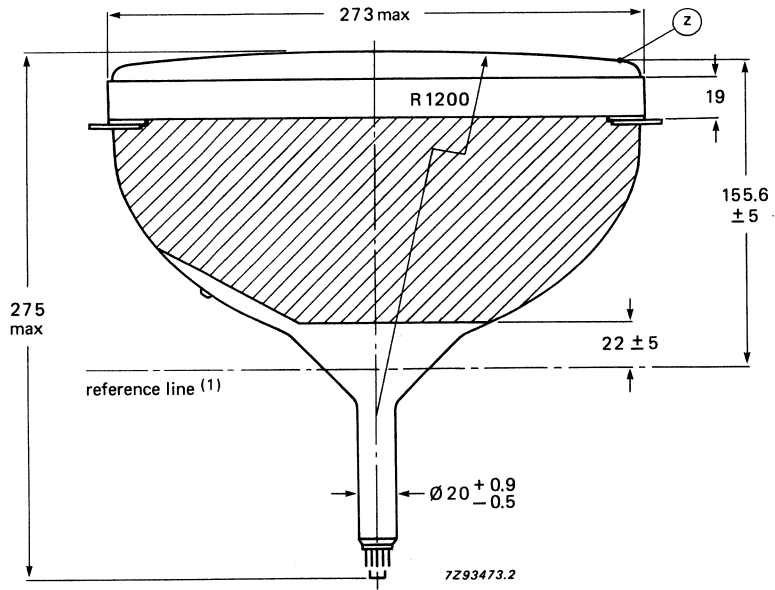


Fig. 6 Limits of grid 1 raster cut-off voltage as a function of grid 2 voltage.
Grid drive; $V_{a,g3,g5} = 12$ kV.

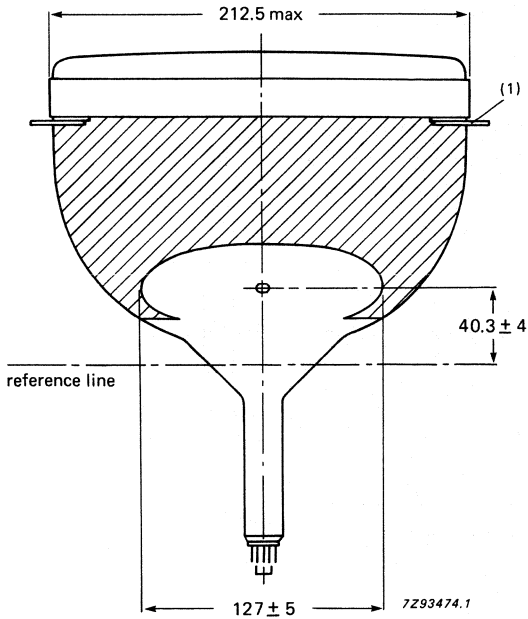
$$\frac{\Delta V_{GR}}{\Delta V_{a,g3,g5}} = 0,9 \times 10^{-3}$$

DIMENSIONAL DATA

Dimensions in mm



(1) The reference line is determined by the plane of the upper edge of reference line gauge D when the gauge is resting on the cone.



(1) The displacement of any lug with respect to the plane through the other three lugs is max. 2 mm.

Fig. 9

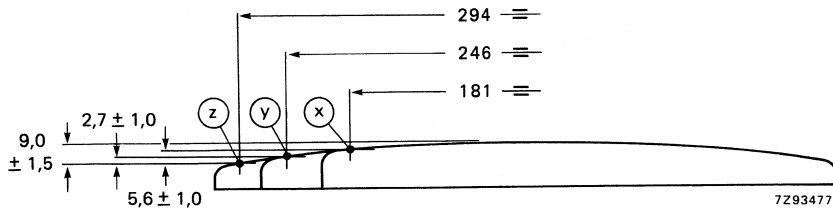


Fig. 10 Screen reference points.

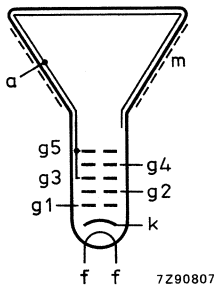


Fig. 11 Electrode configuration.

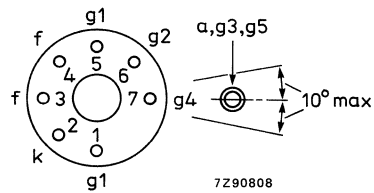


Fig. 12 Pin arrangement.

Front view of tube M29EAA

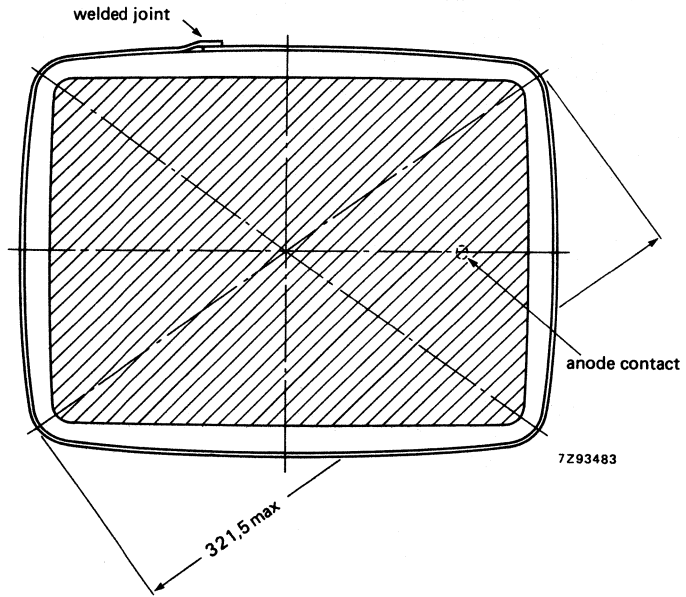


Fig. 13 Tube front view with rimband.

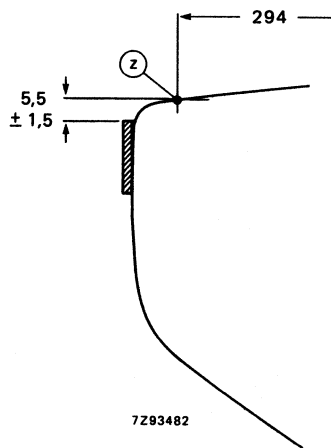


Fig. 14 Rimband position.

Front view and lug dimensions of tube M29EAB *

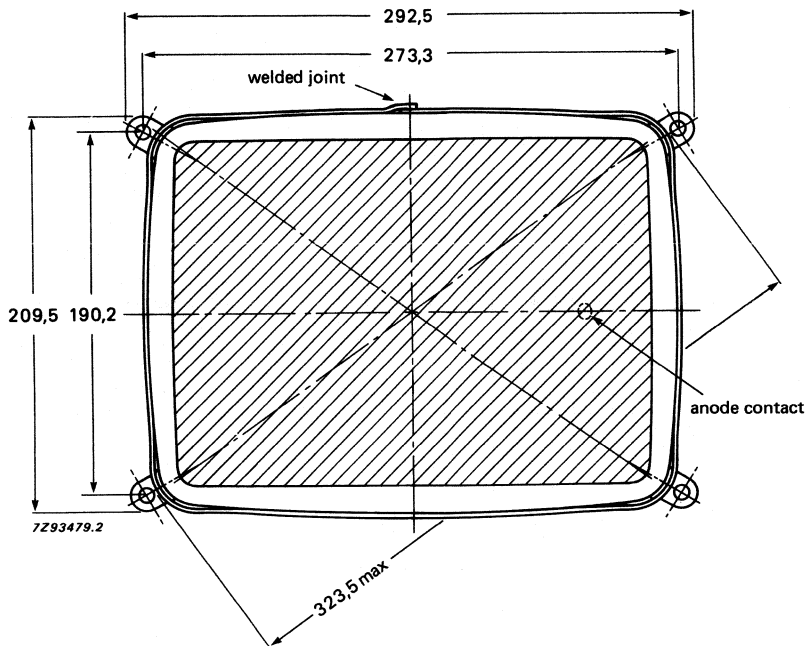


Fig. 15 Tube mounting dimensions; front view.

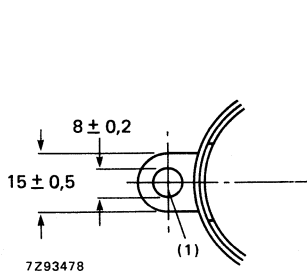


Fig. 16 Lug dimensions.

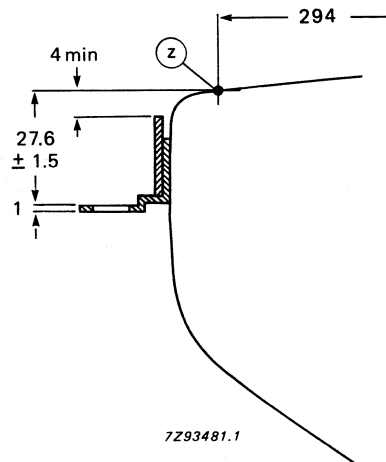


Fig. 17 Lug position.

(1) The mounting screws in the cabinet must be situated inside a circle of 5 mm diameter drawn around the true geometrical positions i.e. at the corners of a rectangle of 273,3 mm x 190,2 mm

* This tube is still under development; data are provisional.

Maximum cone contour

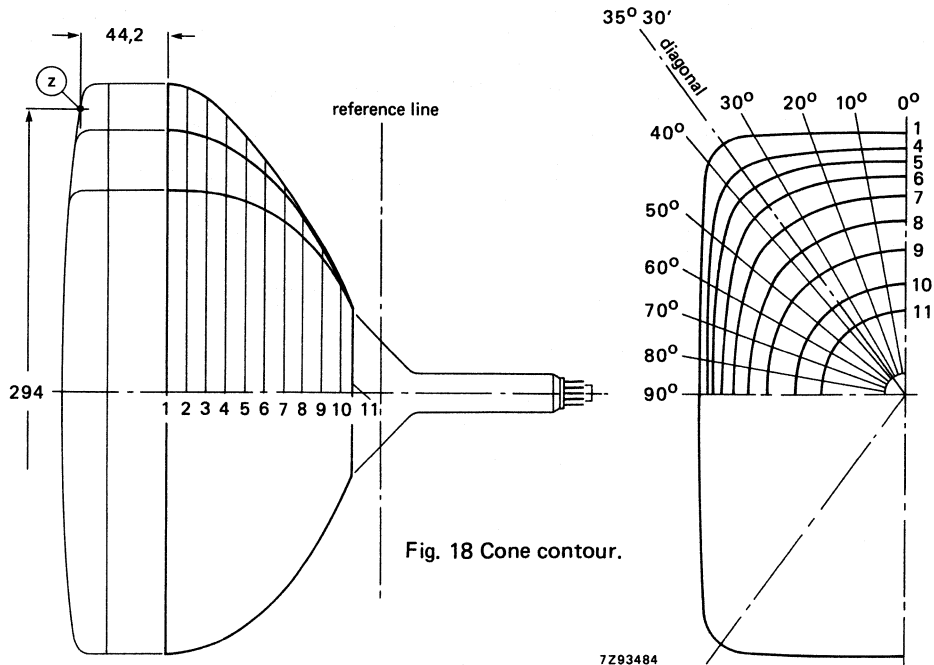


Table 1 Cone contour data

sec- tion	nom. distance from section 1	max. distance from centre										
		0°	10°	20°	30°	diag.	40°	50°	60°	70°	80°	90°
1	0	136,4	138,3	144,5	155,6	160,5	157,5	135,6	120,8	111,8	106,8	105,3
2	10	135,5	137,4	143,5	154,1	158,6	155,8	135,2	120,6	111,6	106,7	105,1
3	20	132,7	134,6	140,4	149,7	153,2	151,1	133,6	119,4	110,6	105,8	104,3
4	30	128,2	129,9	135,0	142,0	144,0	142,3	129,3	116,6	108,4	103,9	102,4
5	40	121,8	123,3	127,3	132,0	132,8	131,5	122,5	112,2	104,8	100,6	99,3
6	50	113,6	114,8	117,7	120,4	120,6	119,5	113,5	105,7	99,5	95,8	94,6
7	60	103,3	104,2	105,9	107,1	106,9	106,1	102,2	96,9	92,2	89,1	88,1
8	70	90,7	91,2	92,1	92,5	92,2	91,7	89,4	86,2	83,1	80,8	80,0
9	80	75,3	75,7	76,3	76,6	76,6	76,5	75,6	74,0	72,3	71,0	70,4
10	90	57,7	57,7	57,7	57,7	57,6	57,6	57,4	57,2	57,0	56,8	56,6
11	96,5	44,7	44,7	44,7	44,7	44,7	44,7	44,7	44,7	44,7	44,7	44,7

FLAT SQUARE HIGH RESOLUTION MONOCHROME MONITOR TUBES

- For Data Graphic Displays
- 90° deflection angle
- 31 cm (12 in) face diagonal; rectangular glass
- 1200 mm radius of screen curvature
- 20 mm neck diameter
- Integral implosion protection

QUICK REFERENCE DATA

Deflection angle	90°
Face diagonal	31 cm (12 in)
Overall length	max. 275 mm
Neck diameter	20 mm
Heating	12 V/75 mA
Grid 2 voltage	400 V
Anode voltage	12 kV
Resolution	approx. 1300 lines

APPLICATION

These high resolution tubes are for alpha numeric and graphic display applications, such as computer terminals, small business computers, etc.

AVAILABLE VERSIONS

The following versions are available: M29ECA and M29ECB.

The tubes can be supplied with different phosphors and anti-reflective treatments, see "High resolution monochrome monitor tubes, General".

Differences between the tubes can be found under 'Dimensional data'.

ELECTRICAL DATA

Focusing method	electrostatic
Deflection method	magnetic
Deflection angles	
diagonal	approx. 90°
horizontal	approx. 79°
vertical	approx. 61°
Interelectrode capacitances	
cathode to all other electrodes	max. 4 pF
grid 1 to all other electrodes	max. 7 pF
Capacitance of external conductive coating to anode*	max. 1250 pF min. 800 pF
Heater voltage	12 V
Heater current at 12 V	75 mA

OPTICAL DATA

Phosphor type	see "High resolution monochrome monitor tubes, General"
Light transmission at screen centre	
tube with normal tinted face glass	approx. 43%
tube with dark tinted face glass	approx. 32%

RASTER CENTRING

The field intensity perpendicular to the tube axis should be adjustable from 0 to 800 A/m. For optimum overall sharpness it is recommended to centre the raster electrically via the deflection coils.

* Implosion protection hardware connected to external conductive coating.

FLAT SQUARE

High resolution monochrome monitor tubes

**M29ECA
M29ECB****MECHANICAL DATA** (see also the figures under Dimensional Data)

Overall length	max. 275 mm
Greatest dimensions of tube	
diagonal	323,5 mm
width	273 mm
height	212,5 mm
Minimum useful screen dimensions (projected)	
diagonal	294 mm
horizontal axis	246 mm
vertical axis	181 mm
area	440 cm ²
Implosion protection	T-band
Bulb	EIAJ-JB320AA03 or EIAJ-JB320AA04
Bulb contact designation	IEC 67-III-2, EIAJ1-21
Base designation	EIA E7-91
Basing	7GR
Mass	approx. 3,5 kg

RATINGS (Absolute Maximum System)

Unless otherwise specified voltage values are positive and measured with respect to grid 1.

Anode voltage	max. 15 kV min. 10 kV
Grid 4 (focusing electrode) voltage	-200 to + 1000 V
Grid 2 voltage	max. 700 V
Anode current	
long-term average value	max. 130 μ A
peak value	max. 300 μ A
Cathode voltage, positive peak value	max. 400 V
Heater voltage	12 V \pm 10%*
Cathode-to-heater voltage	max. 100 V

* For maximum cathode life it is recommended that the heater supply be regulated at 12 V $\begin{matrix} +0\% \\ -5\% \end{matrix}$.

CIRCUIT DESIGN VALUES

Grid 4 current	
positive	max. 25 μ A
negative	max. 25 μ A
Grid 2 current	
positive	max. 5 μ A
negative	max. 5 μ A

MAXIMUM CIRCUIT VALUES

Resistance between cathode and heater	max. 1,0 M Ω
Impedance between cathode and heater	max. 0,1 M Ω
Grid 1 circuit resistance	max. 1,5 M Ω
Grid 1 circuit impedance	max. 0,5 M Ω

TYPICAL OPERATING CONDITIONS

Cathode drive; voltages specified with respect to grid 1

Anode voltage	12 kV
Grid 4 (focusing electrode) voltage	0 to 300 V*
Grid 2 voltage	400 V
Cathode cut-off voltage	30 to 60 V**

Grid drive; voltages specified with respect to cathode

Anode voltage	12 kV
Grid 4 (focusing electrode) voltage	0 to 300 V*
Grid 2 voltage	400 V
Grid 1 cut-off voltage	34 to 64 V**

RESOLUTION

The resolution is approx. 1300 lines. It is measured at the screen centre:

- with shrinking raster method,
- at light output 68,5 cd/m² (20 foot lambert) and raster dimensions 216 mm x 162 mm,
- at $V_{G2} = 700$ V and anode voltage = 12 kV,
- with phosphor type WW,
- with normal tinted face glass, without anti-glare treatment of screen surface.

X-RADIATION CHARACTERISTIC

X-radiation emitted will not exceed 0,5 mR/h throughout the useful life of the tube, when operated within the given ratings.

* Measured at screen centre on spot at anode current = 250 μ A (peak), anode voltage = 12 kV, grid 2 voltage = 400 V.

Dynamic focus (only for optimization): Typical correction for a video field of H x V = 216 mm x 162 mm:
line parabola 250 V,
field parabola 0 V.

** Visual extinction of focused raster.

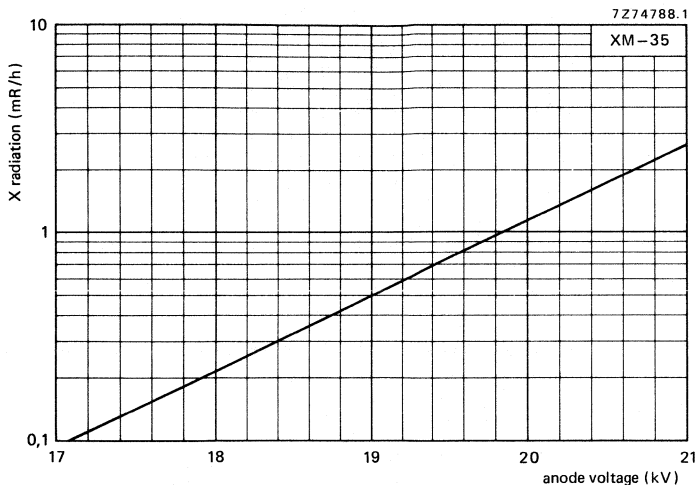


Fig. 1 X-radiation limit curve according to JEDEC 94, at a constant anode current of $250 \mu\text{A}$, measured according to TEPAC103A.

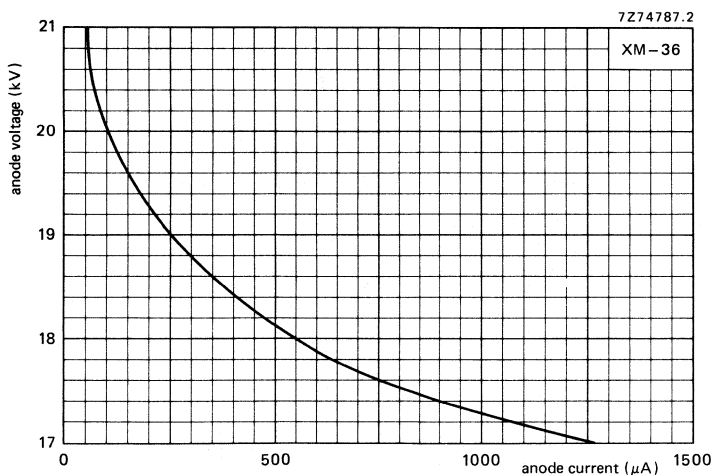


Fig. 2 0,5 mR/h isoexposure-rate limit curve, according to JEDEC 94, measured according to TEPAC103A.

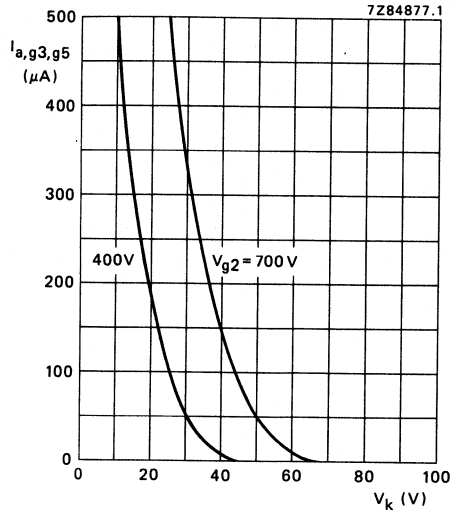


Fig. 3 Anode current as a function of cathode voltage.
Cathode drive; $V_{a,g3,g5} = 12$ kV.

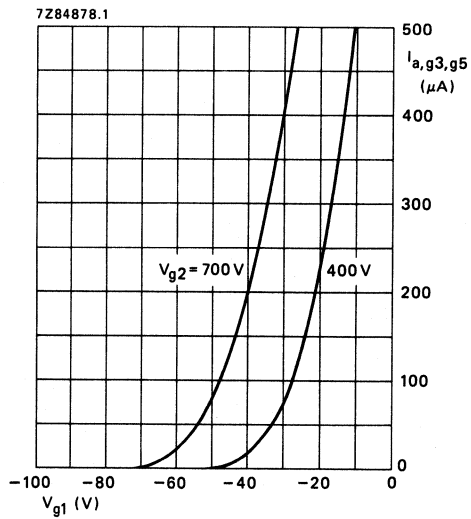


Fig. 4 Anode current as a function of grid 1 voltage.
Grid drive; $V_{a,g3,g5} = 12$ kV.

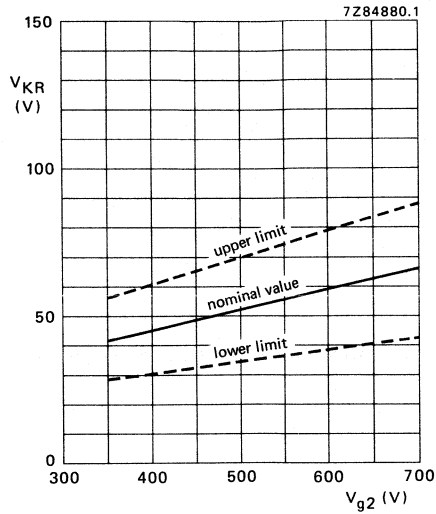


Fig. 5 Limits of cathode raster cut-off voltage as a function of grid 2 voltage.
Cathode drive; $V_{a,g3,g5} = 12$ kV.

$$\frac{\Delta V_{KR}}{\Delta V_{a,g3,g5}} = 0.9 \times 10^{-3}$$

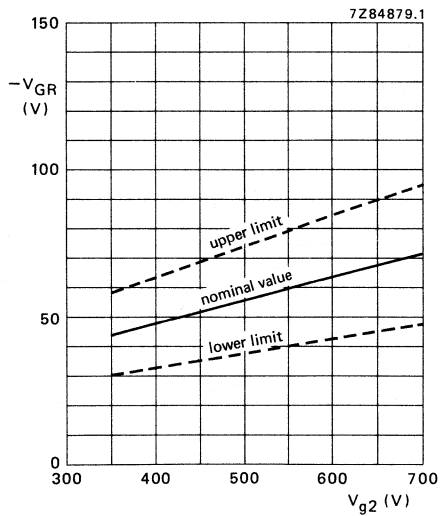
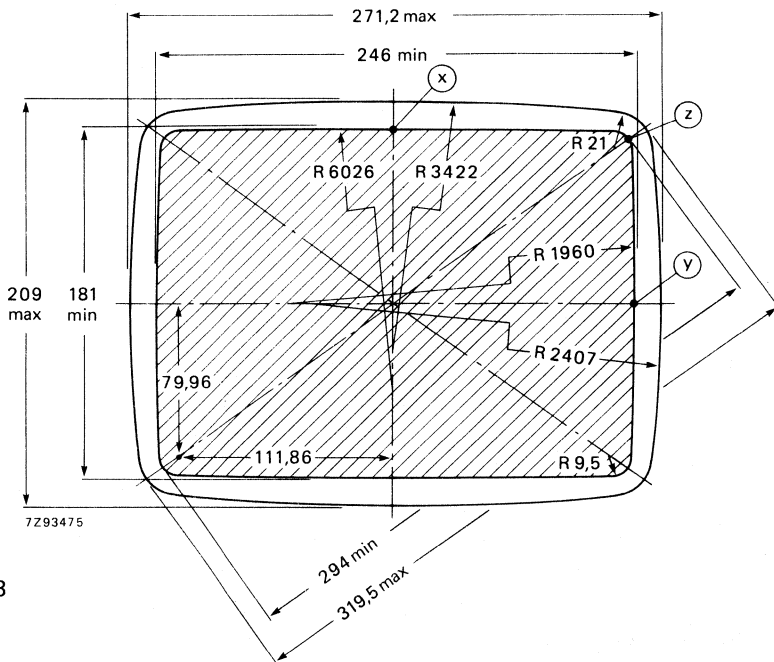
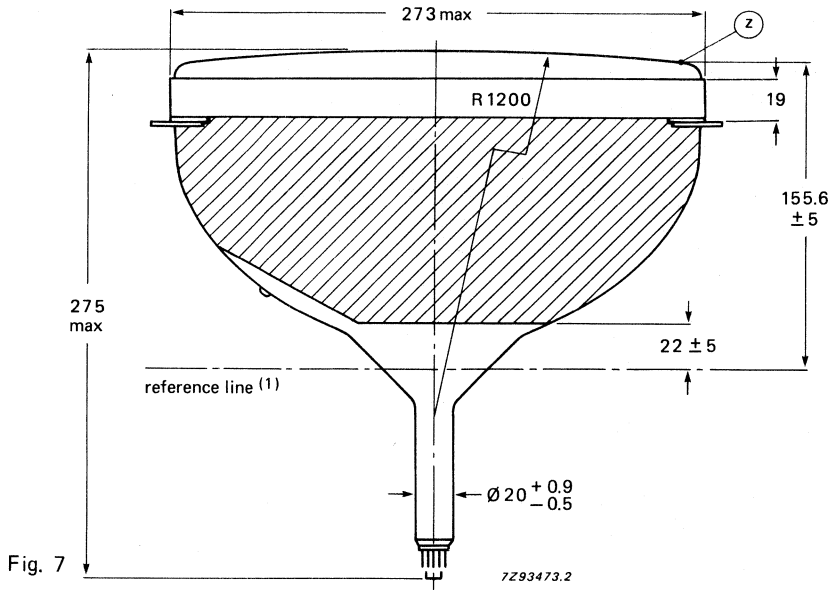


Fig. 6 Limits of grid 1 raster cut-off voltage as a function of grid 2 voltage.
Grid drive; $V_{a,g3,g5} = 12$ kV.

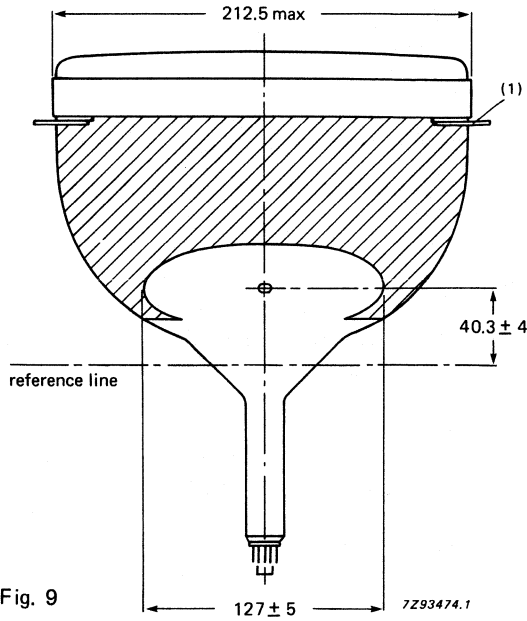
$$\frac{\Delta V_{GR}}{\Delta V_{a,g3,g5}} = 0.9 \times 10^{-3}$$

DIMENSIONAL DATA

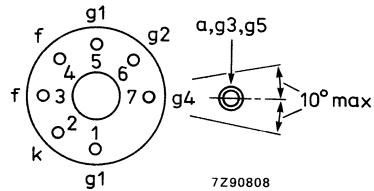
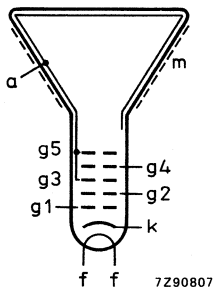
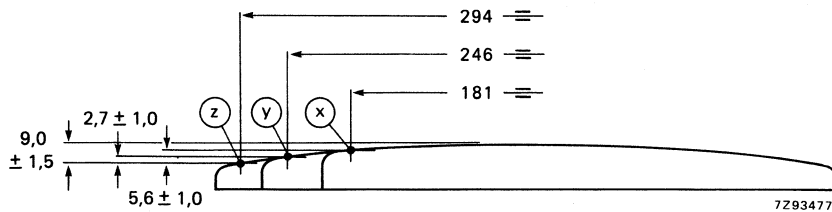
Dimensions in mm



(1) The reference line is determined by the plane of the upper edge of reference line gauge D when the gauge is resting on the cone.



(1) The displacement of any lug with respect to the plane through the other three lugs is max. 2 mm.



Front view of tube M29ECA

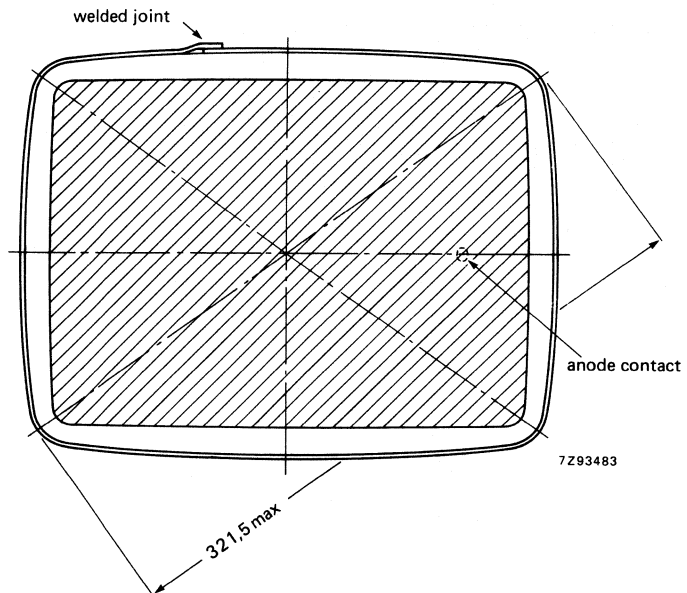


Fig. 13 Tube front view with rimband.

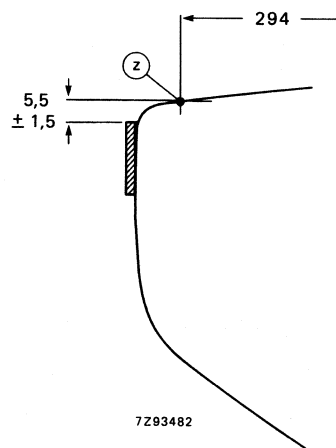


Fig. 14 Rimband position.

Front view and lug dimensions of tube M29ECB

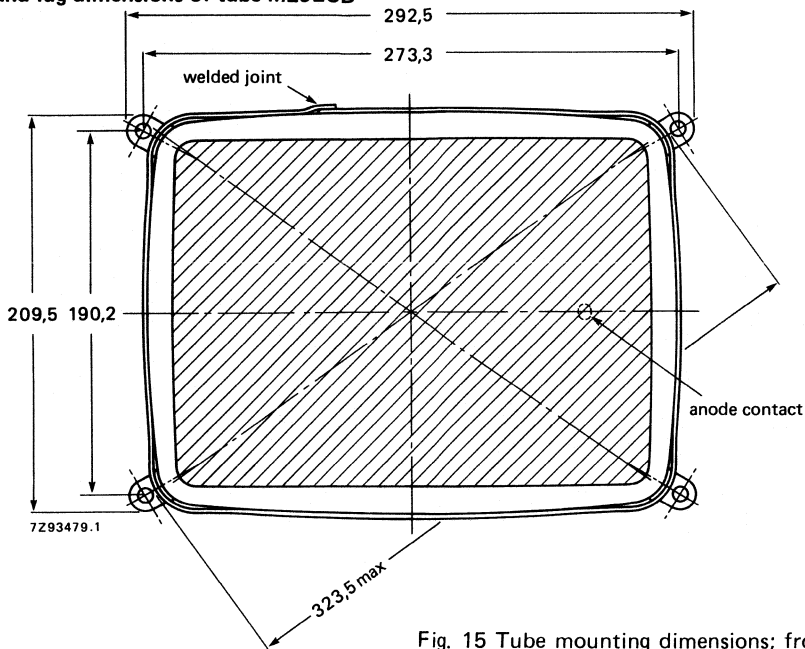


Fig. 15 Tube mounting dimensions; front view.

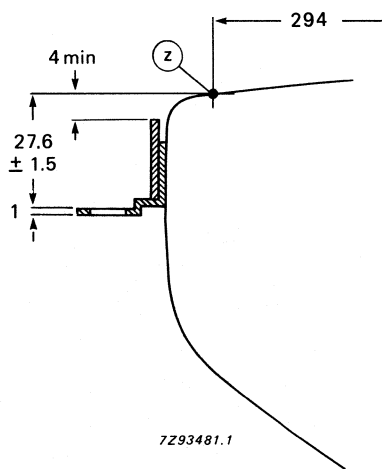


Fig. 16 Lug position.

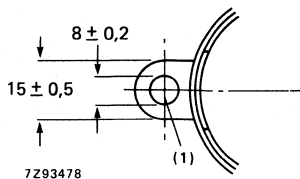


Fig. 17 Lug dimensions.

(1) The mounting screws in the cabinet must be situated inside a circle of 5 mm diameter drawn around the true geometrical positions i.e. at the corners of a rectangle of 273,3 mm x 190,2 mm.

Maximum cone contour

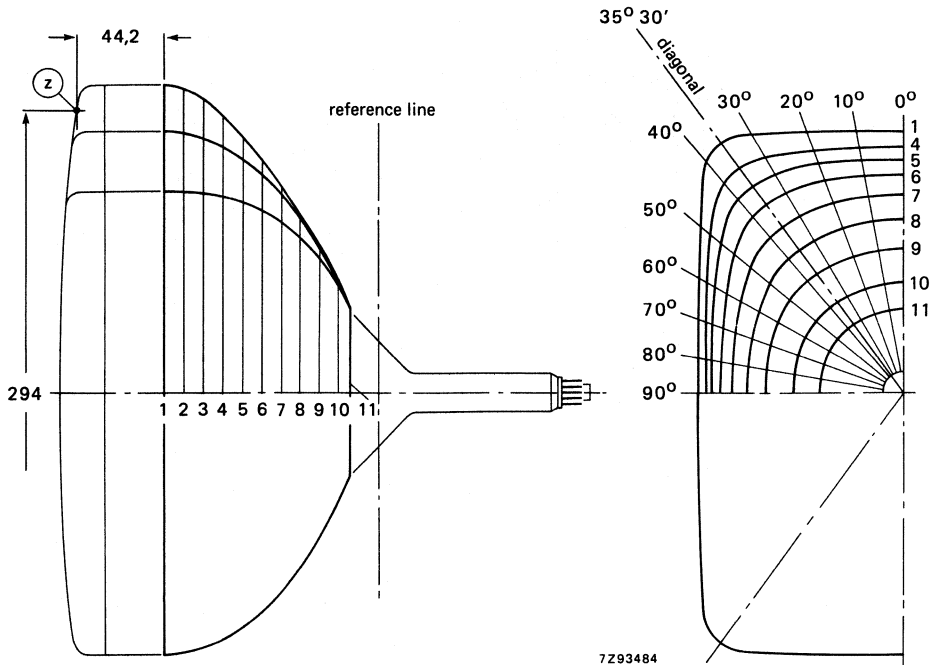


Fig. 18 Cone contour.

Table 1 Cone contour data

sec- tion	nom. distance from section 1	max. distance from centre										
		0°	10°	20°	30°	diag.	40°	50°	60°	70°	80°	90°
1	0	136,4	138,3	144,5	155,6	160,5	157,5	135,6	120,8	111,8	106,8	105,3
2	10	135,5	137,4	143,5	154,1	158,6	155,8	135,2	120,6	111,6	106,7	105,1
3	20	132,7	134,6	140,4	149,7	153,2	151,1	133,6	119,4	110,6	105,8	104,3
4	30	128,2	129,9	135,0	142,0	144,0	142,3	129,3	116,6	108,4	103,9	102,4
5	40	121,8	123,3	127,3	132,0	132,8	131,5	122,5	112,2	104,8	100,6	99,3
6	50	113,6	114,8	117,7	120,4	120,6	119,5	113,5	105,7	99,5	95,8	94,6
7	60	103,3	104,2	105,9	107,1	106,9	106,1	102,2	96,9	92,2	89,1	88,1
8	70	90,7	91,2	92,1	92,5	92,2	91,7	89,4	86,2	83,1	80,8	80,0
9	80	75,3	75,7	76,3	76,6	76,6	76,5	75,6	74,0	72,3	71,0	70,4
10	90	57,7	57,7	57,7	57,7	57,6	57,6	57,4	57,2	57,0	56,8	56,6
11	96,5	44,7	44,7	44,7	44,7	44,7	44,7	44,7	44,7	44,7	44,7	44,7

HIGH RESOLUTION MONOCHROME MONITOR TUBES

- For Data Graphic Displays
- 90° deflection angle
- 31 cm (12 in) face diagonal; rectangular glass
- 4:5 screen aspect ratio
- 510 mm radius of screen curvature
- 20 mm neck diameter
- Integral implosion protection

QUICK REFERENCE DATA

Deflection angle	90°
Face diagonal	31 cm (12 in)
Overall length	max. 280 mm
Neck diameter	20 mm
Heating	12 V/130 mA
Quick heating cathode	with a typical tube a legible picture will appear within 5 s
Grid 2 voltage	400 V
Anode voltage	12 kV
Resolution	approx. 1300 lines

APPLICATION

These high resolution tubes are for alpha-numeric and graphic display applications, such as computer terminals, small business computers, etc.

AVAILABLE VERSIONS

The following versions are available: M31-336, M31-338 and M31-350. Differences between the tubes can be found under 'Dimensional data'.

The tubes can be supplied with different phosphors and anti-reflective treatments, see "High resolution monochrome monitor tubes, General".

ELECTRICAL DATA

Focusing method	electrostatic
Deflection method	magnetic
Deflection angles	
diagonal	approx. 90°
horizontal	approx. 83°
vertical	approx. 65°
Direct interelectrode capacitances	
cathode to all other electrodes	max. 4 pF
grid 1 to all other electrodes	max. 7 pF
Capacitance of external conductive coating to anode*	max. 1050 pF min. 450 pF
Capacitance of external conductive coating to anode**	max. 900 pF min. 450 pF
Capacitance of anode to implosion protection hardware**	approx. 150 pF
Heater voltage	12 V
Heater current at 12 V	130 mA

OPTICAL DATA

Phosphor type	see "High resolution monochrome monitor tubes, General"
Light transmission at screen centre	
tube with normal tinted face glass	approx. 50%
tube with dark tinted face glass	approx. 34%

RASTER CENTRING

The field intensity perpendicular to the tube axis should be adjustable from 0 to 800 A/m. For optimum overall sharpness it is recommended to centre the raster electrically via the deflection coils.

* Implosion protection hardware connected to external conductive coating.

** Implosion protection hardware not connected to external conductive coating.

MECHANICAL DATA (see also the figures under Dimensional Data)

Overall length	max.	280 mm
Greatest dimensions of tube		
diagonal		315 mm
width		279 mm
height		227 mm
Minimum useful screen dimensions (projected)		
diagonal		292 mm
horizontal axis		254 mm
vertical axis		201 mm
area		484 cm ²
Implosion protection		T-band
Bulb		EIAJ-JB310AM03 or EIAJ-JB310AW04
Bulb contact designation		IEC 67-III-2, EIA-J1-21
Base designation		EIA E7-91
Basing		7GR
Mass		approx. 2,9 kg

RATINGS (Absolute Maximum System)

Unless otherwise specified voltage values are positive and measured with respect to grid 1.

Anode voltage	max.	15 kV
	min.	10 kV
Grid 4 (focusing electrode) voltage		-200 to + 1000 V
Grid 2 voltage	max.	700 V
Anode current		
long-term average value	max.	130 μ A
peak value	max.	300 μ A
Cathode voltage, positive peak value	max.	400 V
Heater voltage		12 V \pm 10%*
Cathode-to-heater voltage	max.	100 V

* For maximum cathode life it is recommended that the heater supply be regulated at 12 V $\begin{matrix} +0\% \\ -5\% \end{matrix}$.

CIRCUIT DESIGN VALUES

Grid 4 current		
positive	max.	25 μ A
negative	max.	25 μ A
Grid 2 current		
positive	max.	5 μ A
negative	max.	5 μ A

MAXIMUM CIRCUIT VALUES

Resistance between cathode and heater	max.	1,0 M Ω
Impedance between cathode and heater	max.	0,1 M Ω
Grid 1 circuit resistance	max.	1,5 M Ω
Grid 1 circuit impedance	max.	0,5 M Ω

TYPICAL OPERATING CONDITIONS

Cathode drive; voltages specified with respect to grid 1

Anode voltage	12 kV
Grid 4 (focusing electrode) voltage	0 to 300 V*
Grid 2 voltage	400 V
Cathode cut-off voltage	30 to 60 V**

Grid drive; voltages specified with respect to cathode

Anode voltage	12 kV
Grid 4 (focusing electrode) voltage	0 to 300 V*
Grid 2 voltage	400 V
Grid 1 cut-off voltage	34 to 64 V**

RESOLUTION

The resolution is approx. 1300 lines. It is measured at the screen centre:

- with shrinking raster method,
- at light output 68,5 cd/m² (20 foot lambert) and raster dimensions 216 mm x 162 mm,
- at $V_{g2} = 700$ V and anode voltage = 12 kV,
- with phosphor type W (WW),
- with normal tinted face glass, without anti-glare treatment of screen surface.

X-RADIATION CHARACTERISTIC

X-radiation emitted will not exceed 0,5 mR/h throughout the useful life of the tube, when operated within the given ratings.

* Measured at screen centre on spot at anode current = 250 μ A (peak), anode voltage = 12 kV, grid 2 voltage = 400 V.

Dynamic focus (only for optimization): Typical correction for a video field of H x V = 216 mm x 162 mm:
line parabola 200 V,
field parabola 100 V.

** Visual extinction of focused raster.

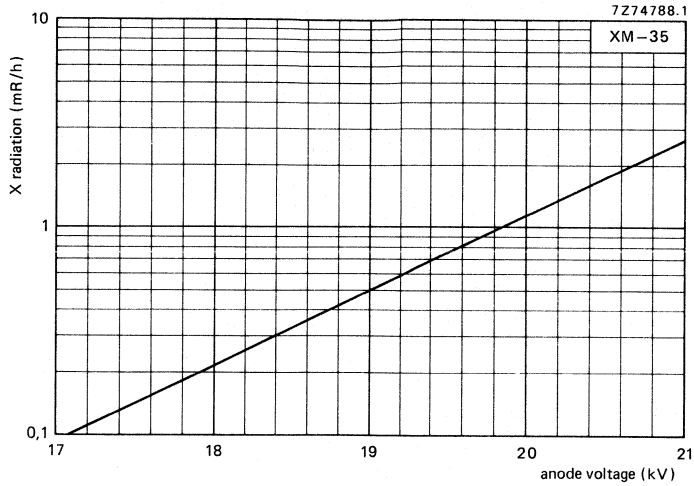


Fig. 1 X-radiation limit curve according to JEDEC94, at a constant anode current of 250 μA , measured according to TEPAC103A.

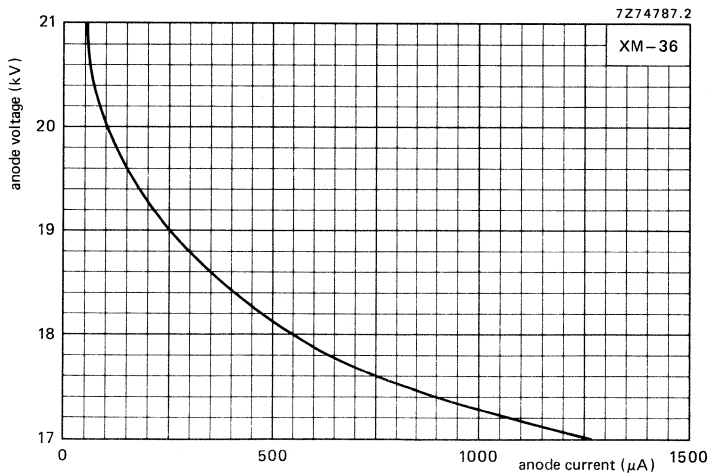


Fig. 2 0,5 mR/h isoexposure-rate limit curve, according to JEDEC94, measured according to TEPAC103A.

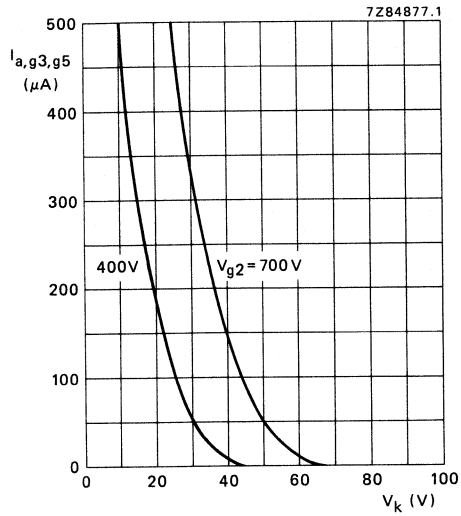


Fig. 3 Anode current as a function of cathode voltage.
Cathode drive; $V_{a,g3,g5} = 12\text{ kV}$.

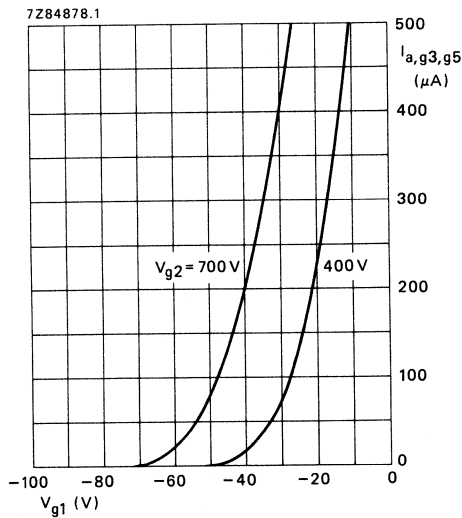


Fig. 4 Anode current as a function of grid 1 voltage.
Grid drive; $V_{a,g3,g5} = 12\text{ kV}$.

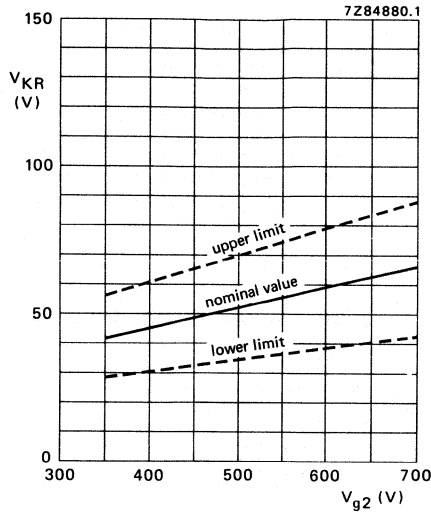


Fig. 5 Limits of cathode cut-off voltage as a function of grid 2 voltage. Cathode drive; $V_{a,g3,g5} = 12$ kV.

$$\frac{\Delta V_{KR}}{\Delta V_{a,g3,g5}} = 0,9 \times 10^{-3}$$

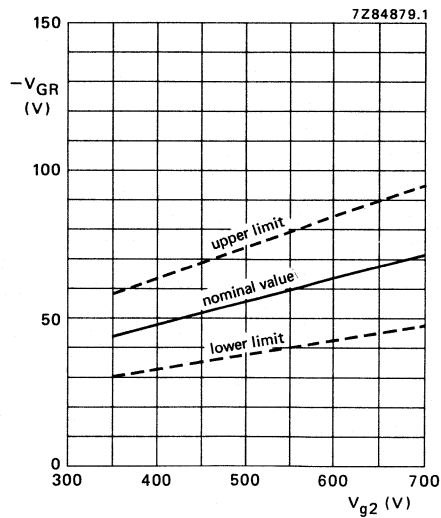


Fig. 6 Limits of grid 1 cut-off voltage as a function of grid 2 voltage. Grid drive; $V_{a,g3,g5} = 12$ kV.

$$\frac{\Delta V_{GR}}{\Delta V_{a,g3,g5}} = 0,9 \times 10^{-3}$$

DIMENSIONAL DATA

Dimensions in mm

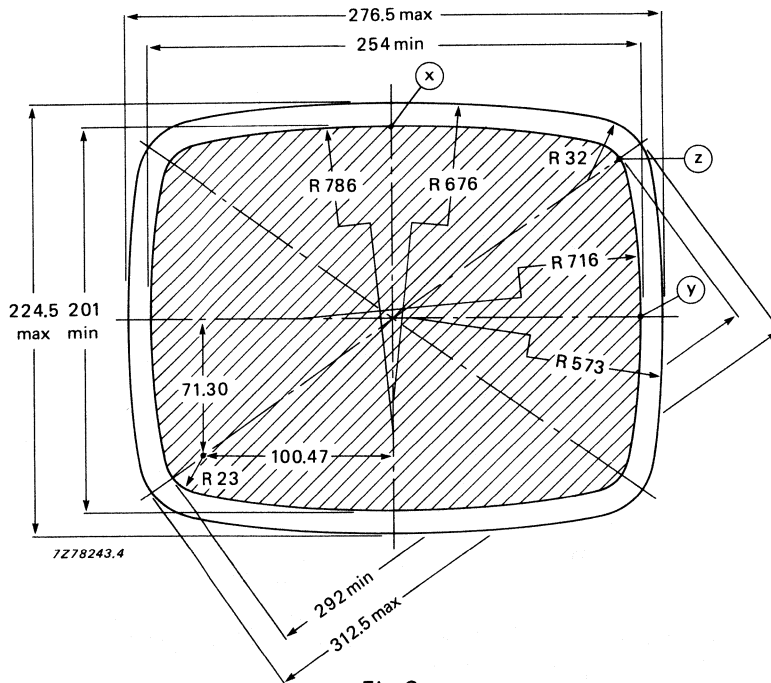
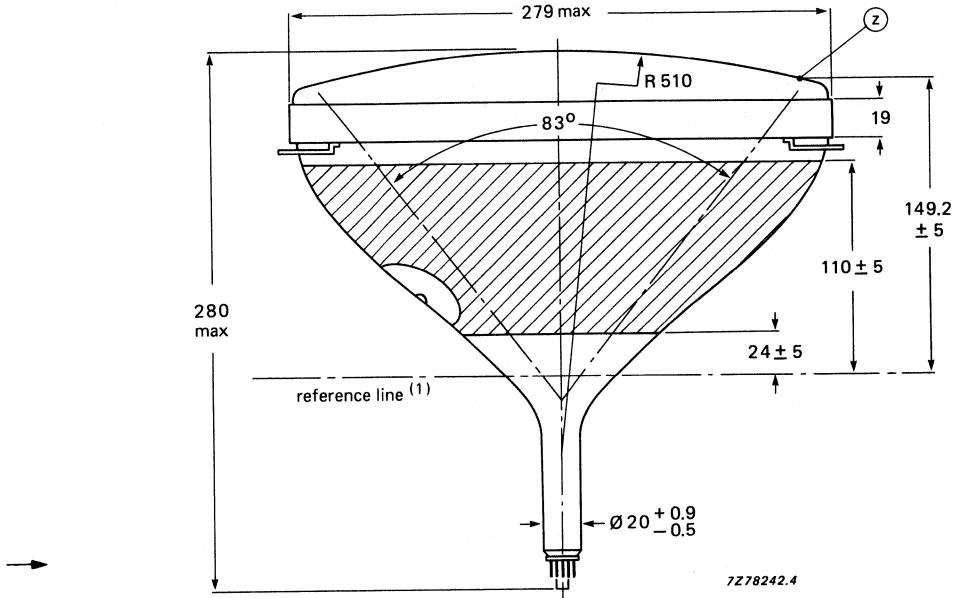
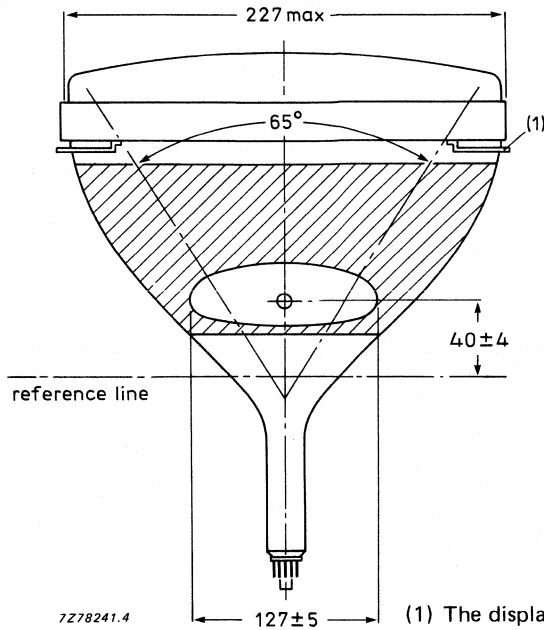


Fig. 8

(1) The reference line is determined by the plane of the upper edge of reference line gauge D when the gauge is resting on the cone.



(1) The displacement of any lug with respect to the plane through the other three lugs is max. 2 mm.

Fig. 9

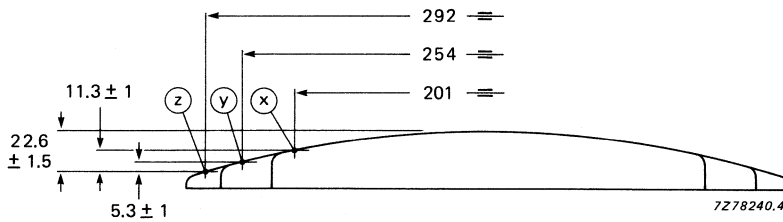


Fig. 10 Screen reference points.

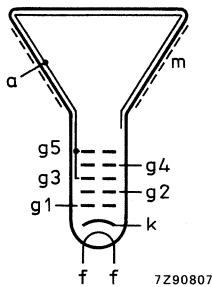


Fig. 11 Electrode configuration

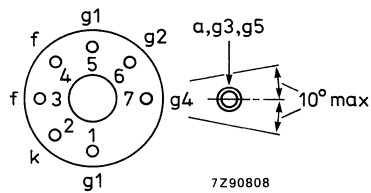


Fig. 12 Pin arrangement.

Front view and lug dimensions of tube M31-336

Dimensions in mm

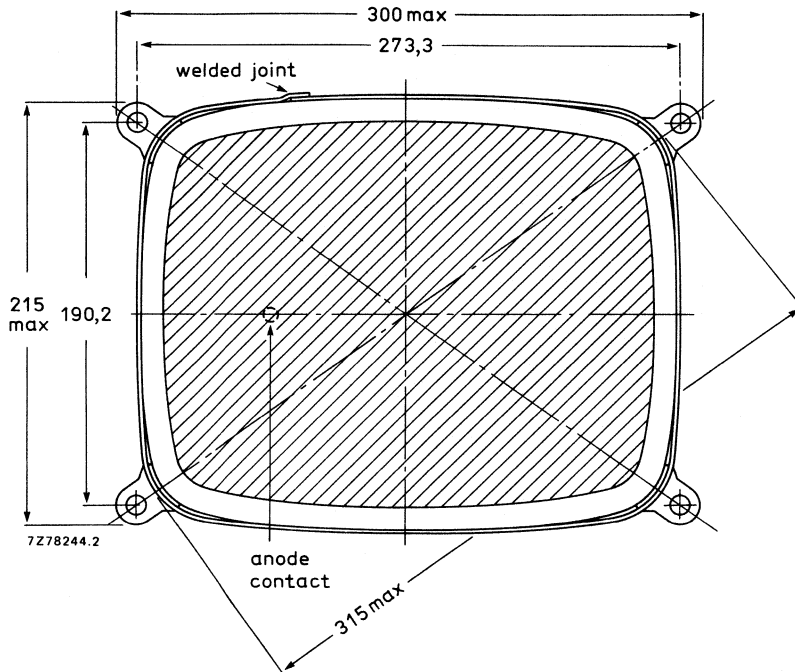


Fig. 13 Tube mounting dimensions; front view

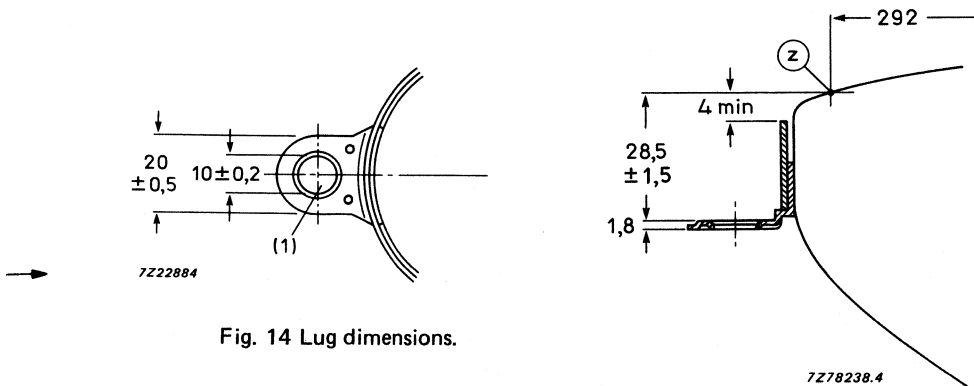


Fig. 14 Lug dimensions.

Fig. 15 Lug position.

(1) The position of the mounting screws in the cabinet must be within a circle of 7 mm diameter drawn around the true geometrical positions, i.e. the corners of a rectangle of 273,3 mm x 190,2 mm.

Front view and lug dimensions of tube M31-338

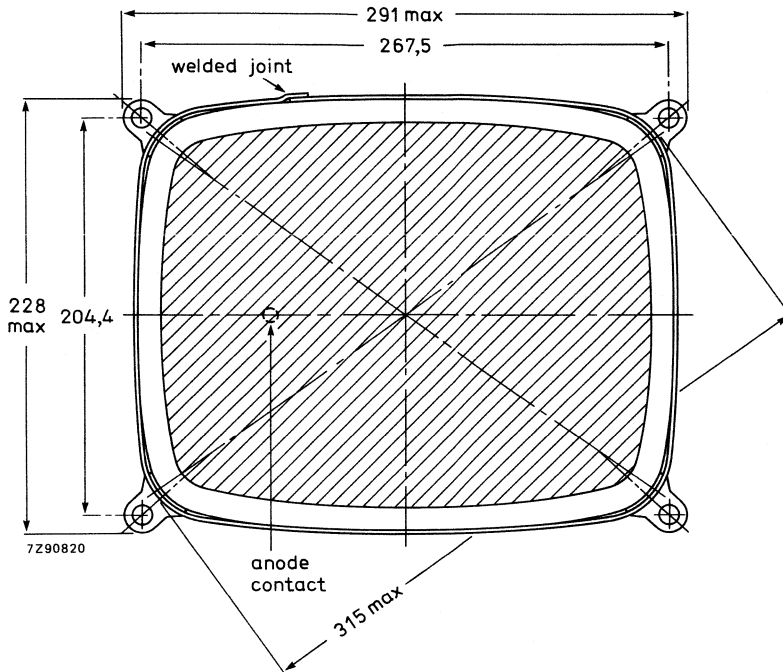


Fig. 16 Tube mounting dimensions; front view

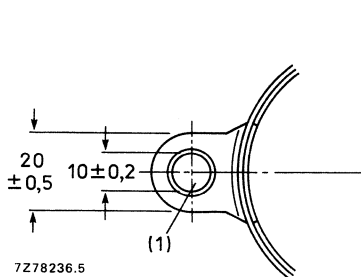


Fig. 17 Lug dimensions.

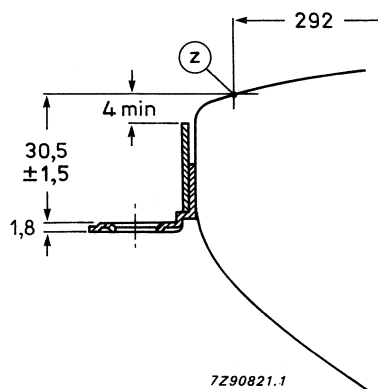


Fig. 18 Lug position.

(1) The position of the mounting screws in the cabinet must be within a circle of 7 mm diameter drawn around the true geometrical positions, i.e. corners of a rectangle of 267,5 mm x 204,4 mm.

Front view of tube M31-350

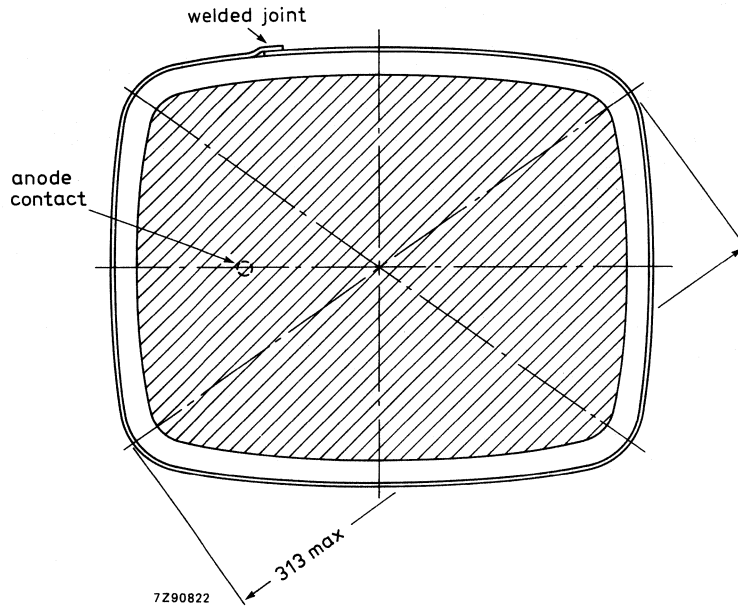


Fig. 19 Tube front view with rimband.

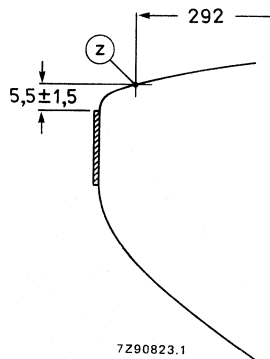


Fig. 20 Rimband position.

Maximum cone contour

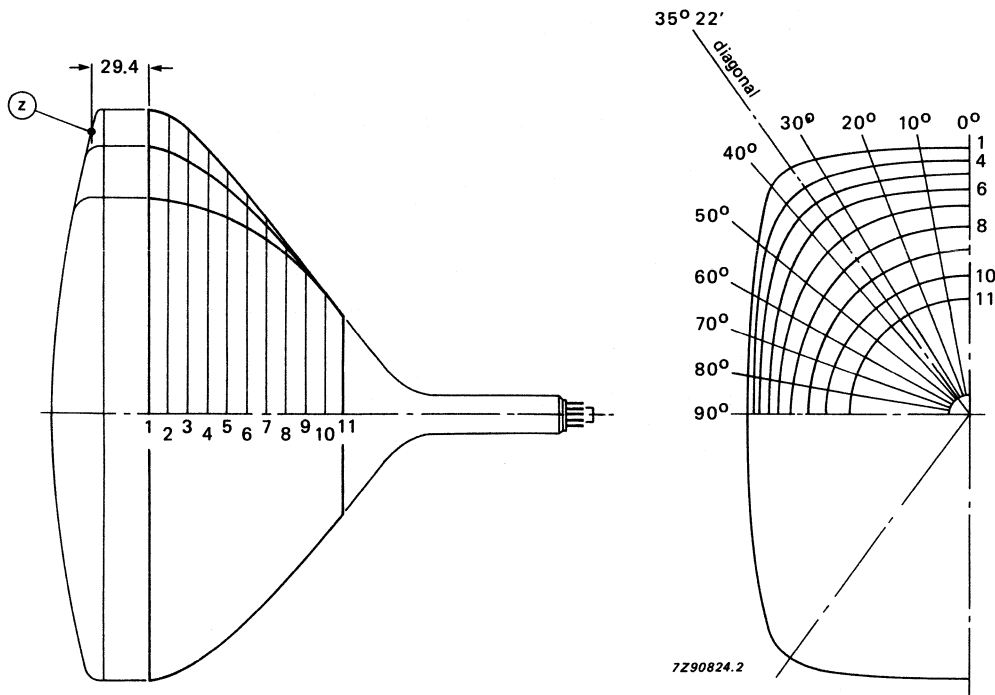


Fig. 21 Cone contour.

Table 1 Cone contour data

sec- tion	nom. distance from section 1	max. distance from centre										
		0°	10°	20°	30°	diag.	40°	50°	60°	70°	80°	90°
1	0	138,3	139,9	145,0	153,9	156,6	154,7	138,9	126,3	118,2	113,7	112,3
2	10	136,5	138,1	143,2	151,5	154,4	152,6	137,5	125,0	116,9	112,4	110,9
3	20	131,8	133,4	138,1	145,1	147,5	146,2	133,8	122,1	114,3	110,0	108,6
4	30	125,2	126,6	130,6	136,0	137,5	136,6	127,9	117,8	110,7	106,6	105,3
5	40	117,0	118,2	121,3	124,8	125,6	125,0	119,6	112,1	106,1	102,5	101,3
6	50	107,9	108,8	111,0	113,1	113,5	113,2	110,2	105,2	100,6	97,6	96,6
7	60	98,1	98,7	100,0	101,1	101,3	101,2	99,8	97,2	94,3	92,0	91,2
8	70	87,7	88,0	88,5	89,0	89,1	89,1	88,8	87,9	86,6	85,5	84,9
9	80	76,6	76,5	76,5	76,6	76,8	76,9	77,1	77,3	77,4	77,3	77,2
10	90	64,6	64,4	64,1	64,1	64,2	64,3	64,8	65,5	66,3	66,9	67,3
11	99	51,1	51,1	51,1	51,1	51,1	51,1	51,1	51,1	51,1	51,1	51,1

HIGH RESOLUTION MONOCHROME MONITOR TUBES

- For Data Graphic Displays
- 90° deflection angle
- 31 cm (12 in) face diagonal; rectangular glass
- 3: 4 screen aspect ratio
- 635 mm radius of screen curvature
- 20 mm neck diameter
- Integral implosion protection

QUICK REFERENCE DATA

Deflection angle	90°
Face diagonal	31 cm (12 in)
Overall length	max. 277 mm
Neck diameter	20 mm
Heating	12 V/130 mA
Quick heating cathode	with a typical tube a legible picture will appear within 5 s
Grid 2 voltage	400 V
Anode voltage	12 kV
Resolution	approx. 1300 lines

APPLICATION

These high resolution tubes are for alpha numeric and graphic display applications, such as computer terminals, small business computers, etc.

AVAILABLE VERSIONS

The following versions are available: M31-340, M31-342, M31-344, M31346 and M31-348.

The tubes can be supplied with different phosphors and anti-reflective treatments, see "High resolution monochrome monitor tubes, General".

Differences between the tubes can be found under 'Dimensional data'.

ELECTRICAL DATA

Focusing method	electrostatic
Deflection method	magnetic
Deflection angles	
diagonal	approx. 90°
horizontal	approx. 78°
vertical	approx. 61°
Interelectrode capacitances	
cathode to all other electrodes	max. 4 pF
grid 1 to all other electrodes	max. 7 pF
Capacitance of external conductive coating to anode*	max. 1200 pF min. 450 pF
Capacitance of external conductive coating to anode**	max. 1050 pF min. 450 pF
Capacitance of anode to implosion protection hardware**	approx. 150 pF
Heater voltage	12 V
Heater current at 12 V	130 mA

OPTICAL DATA

Phosphor type	see "High resolution monochrome monitor tubes, General"
Light transmission at screen centre	
tube with normal tinted face glass	approx. 46%
tube with dark tinted face glass	approx. 34%

RASTER CENTRING

The field intensity perpendicular to the tube axis should be adjustable from 0 to 800 A/m. For optimum overall sharpness it is recommended to centre the raster electrically via the deflection coils.

* Implosion protection hardware connected to external conductive coating.

** Implosion protection hardware not connected to external conductive coating.

MECHANICAL DATA (see also the figures under Dimensional Data)

Overall length	max. 277 mm
Greatest dimensions of tube	
diagonal	321 mm
width	283 mm
height	222 mm
Minimum useful screen dimensions (projected)	
diagonal	295 mm
horizontal axis	257 mm
vertical axis	195 mm
area	478 cm ²
Implosion protection	T-band
Bulb	EIAJ-JB310AP03 or EIAJ-JB310AP04
Bulb contact designation	IEC 67-III-2, EIAJ1-21
Base designation	EIA E7-91
Basing	7GR
Mass	approx. 2,9 kg

RATINGS (Absolute Maximum System)

Unless otherwise specified voltage values are positive and measured with respect to grid 1.

Anode voltage	max. 15 kV min. 10 kV
Grid 4 (focusing electrode) voltage	-200 to + 1000 V
Grid 2 voltage	max. 700 V
Anode current	
long-term average value	max. 130 μ A
peak value	max. 300 μ A
Cathode voltage, positive peak value	max. 400 V
Heater voltage	12 V \pm 10%*
Cathode-to-heater voltage	max. 100 V

* For maximum cathode life it is recommended that the heater supply be regulated at 12 V $\begin{matrix} +0\% \\ -5\% \end{matrix}$.

CIRCUIT DESIGN VALUES

Grid 4 current	
positive	max. 25 μA
negative	max. 25 μA
Grid 2 current	
positive	max. 5 μA
negative	max. 5 μA

MAXIMUM CIRCUIT VALUES

Resistance between cathode and heater	max. 1,0 $\text{M}\Omega$
Impedance between cathode and heater	max. 0,1 $\text{M}\Omega$
Grid 1 circuit resistance	max. 1,5 $\text{M}\Omega$
Grid 1 circuit impedance	max. 0,5 $\text{M}\Omega$

TYPICAL OPERATING CONDITIONS

Cathode drive; voltages specified with respect to grid 1

Anode voltage	12 kV
Grid 4 (focusing electrode) voltage	0 to 300 V*
Grid 2 voltage	400 V
Cathode cut-off voltage	30 to 60 V**

Grid drive; voltages specified with respect to cathode

Anode voltage	12 kV
Grid 4 (focusing electrode) voltage	0 to 300 V*
Grid 2 voltage	400 V
Grid 1 cut-off voltage	34 to 64 V**

RESOLUTION

The resolution is approx. 1300 lines. It is measured at the screen centre:

- with shrinking raster method,
- at light output 68,5 cd/m^2 (20 foot lambert) and raster dimensions 216 x 162 mm,
- at $V_{g2} = 700$ V and anode voltage = 12 kV,
- with phosphor type W (WW),
- with normal tinted face glass, without anti-glare treatment of screen surface.

X-RADIATION CHARACTERISTIC

X-radiation emitted will not exceed 0,5 mR/h throughout the useful life of the tube, when operated within the given ratings.

* Measured at screen centre on spot at anode current = 250 μA (peak), anode voltage = 12 kV, grid 2 voltage = 400 V.

Dynamic focus (only for optimization): Typical correction for a video field of H x V = 216 mm x 162 mm:
line parabola 200 V,
field parabola 100 V.

** Visual extinction of focused raster.

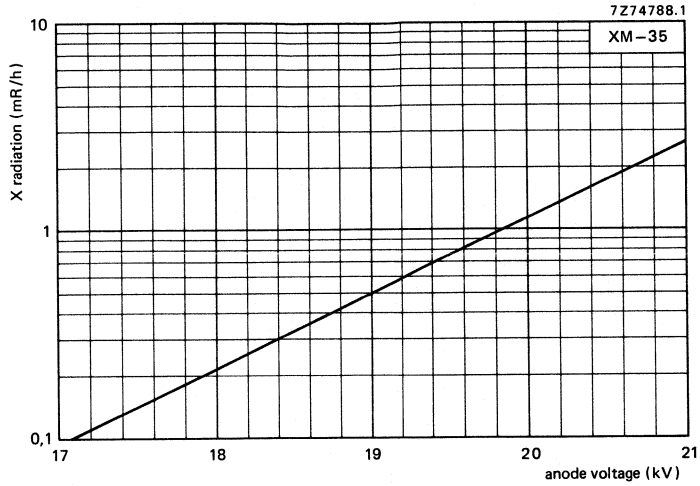


Fig. 1 X-radiation limit curve according to JEDEC94, at a constant anode current of $250 \mu\text{A}$, measured according to TEPAC103A.

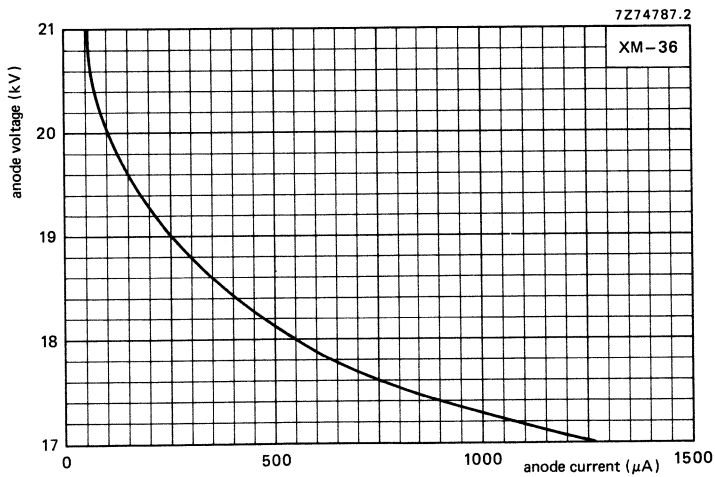


Fig. 2 0,5 mR/h isoexposure-rate limit curve, according to JEDEC94, measured according to TEPAC103A.

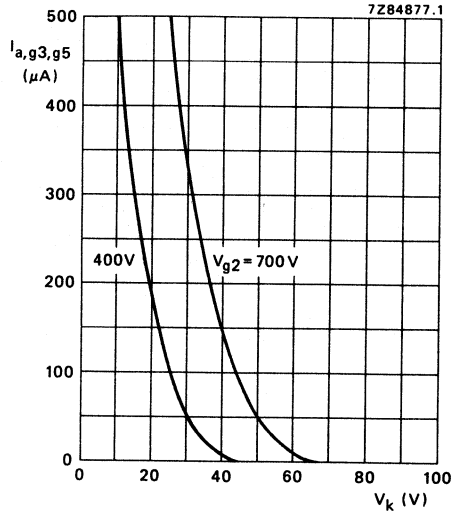


Fig. 3 Anode current as a function of cathode voltage.
Cathode drive; $V_{a,g3,g5} = 12\text{ kV}$.

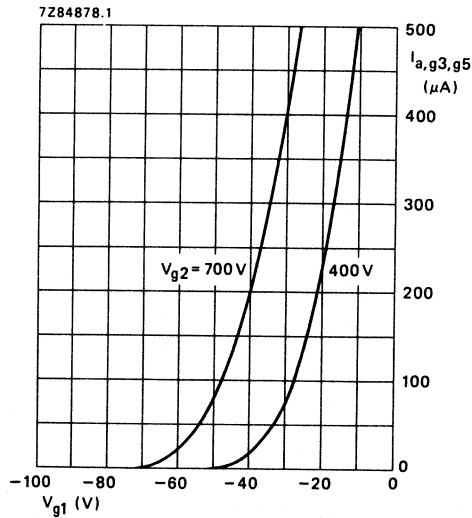


Fig. 4 Anode current as a function of grid 1 voltage.
Grid drive; $V_{a,g3,g5} = 12\text{ kV}$.

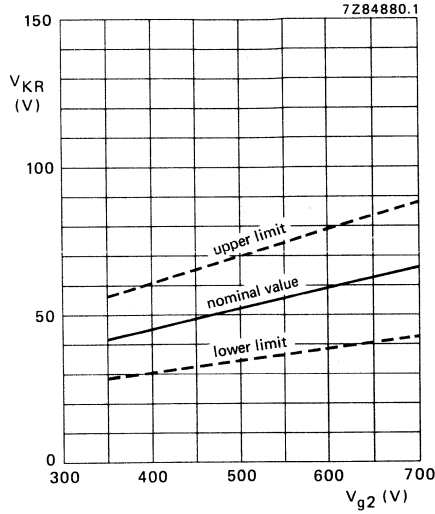


Fig. 5 Limits of cathode cut-off voltage as a function of grid 2 voltage.
Cathode drive; $V_{a,g3,g5} = 12$ kV.

$$\frac{\Delta V_{KR}}{\Delta V_{a,g3,g5}} = 0,9 \times 10^{-3}$$

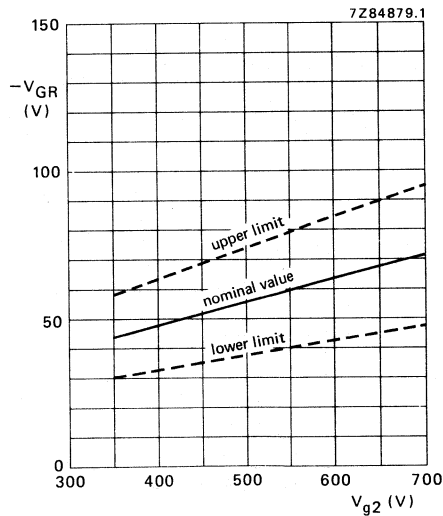


Fig. 6 Limits of grid 1 cut-off voltage as a function of grid 2 voltage.
Grid drive; $V_{a,g3,g5} = 12$ kV.

$$\frac{\Delta V_{GR}}{\Delta V_{a,g3,g5}} = 0,9 \times 10^{-3}$$

DIMENSIONAL DATA

Dimensions in mm

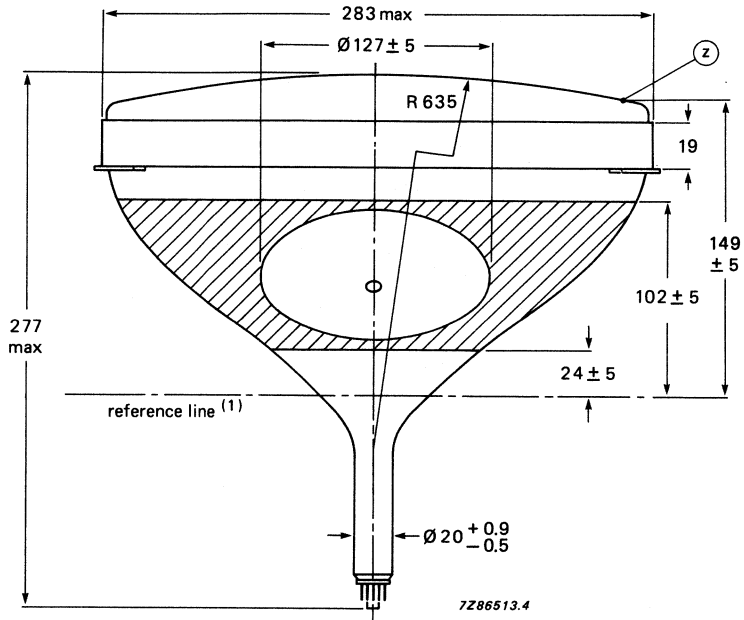


Fig. 7

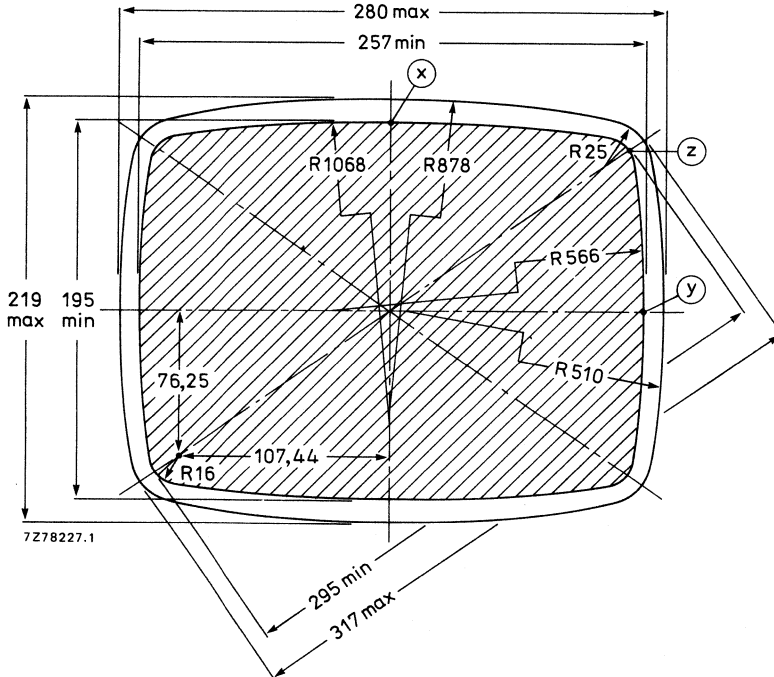


Fig. 8

(1) The reference line is determined by the plane of the upper edge of reference line gauge D when the gauge is resting on the cone.

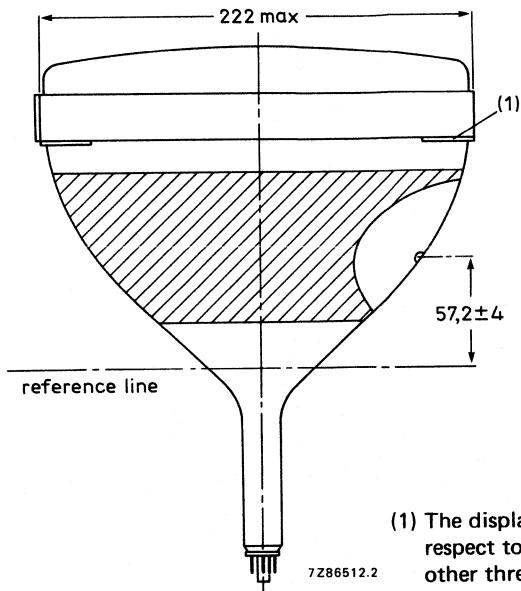


Fig. 9

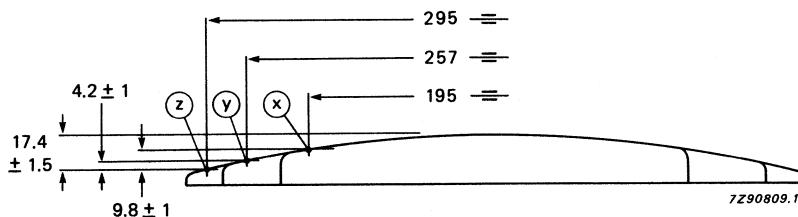


Fig. 10 Screen reference points.

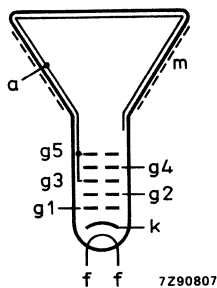


Fig. 11 Electrode configuration.

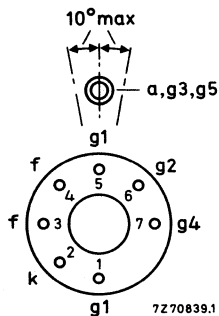


Fig. 12 Pin arrangement.

Front view and lug dimensions of tube M31-340

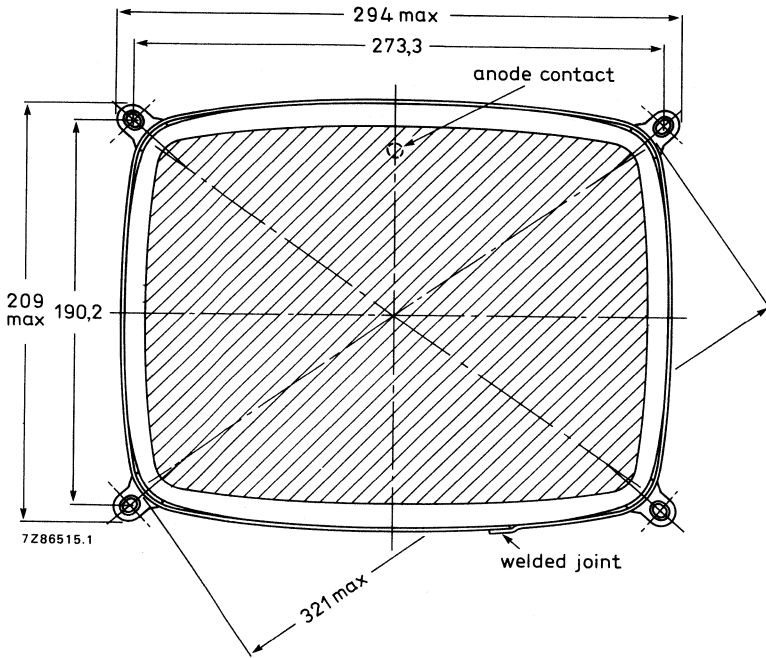


Fig. 13 Tube mounting dimensions; front view.

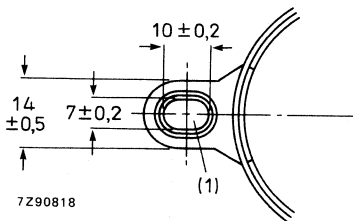


Fig. 14 Lug dimensions.

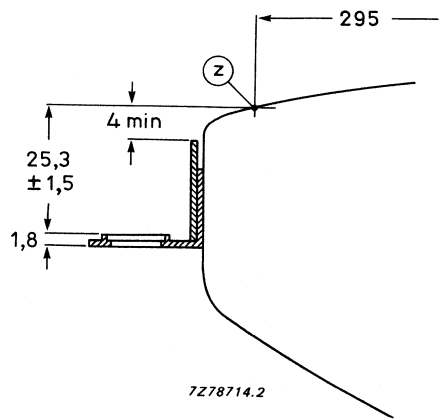


Fig. 15 Lug position.

(1) The mounting screws in the cabinet must be situated inside a circle of 4 mm diameter drawn around the true geometrical positions i.e. at the corners of a rectangle of 273,3 mm x 190,2 mm.

Front view and lug dimensions of tube M31-342

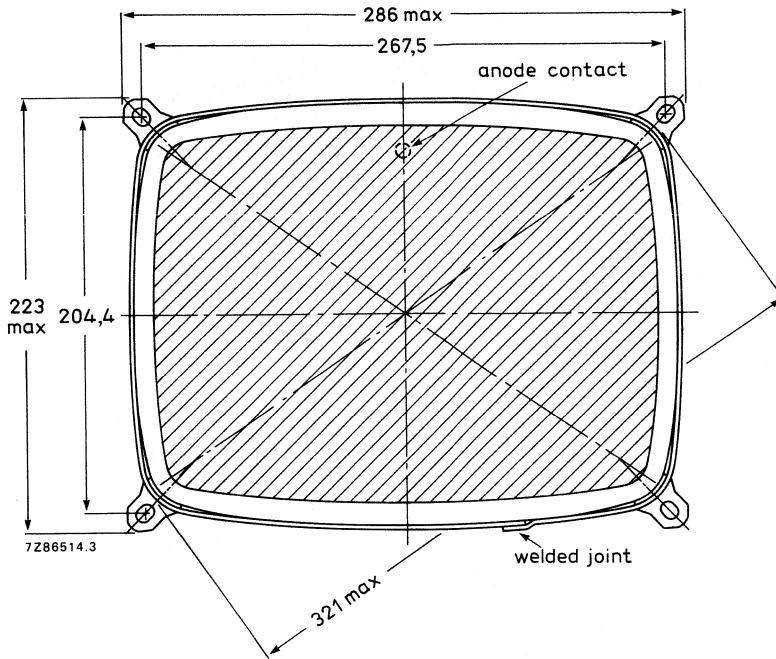


Fig. 16 Tube mounting dimensions; front view.

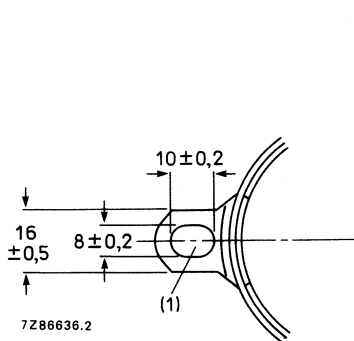


Fig. 17 Lug dimensions.

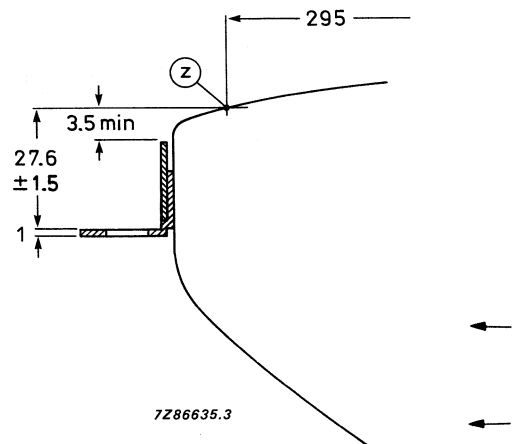


Fig. 18 Lug position.

(1) The mounting screws in the cabinet must be situated inside a circle of 5 mm diameter drawn around the true geometrical positions i.e. at the corners of a rectangle of 267,5 mm x 204,4 mm.

Front view of tube M31-344

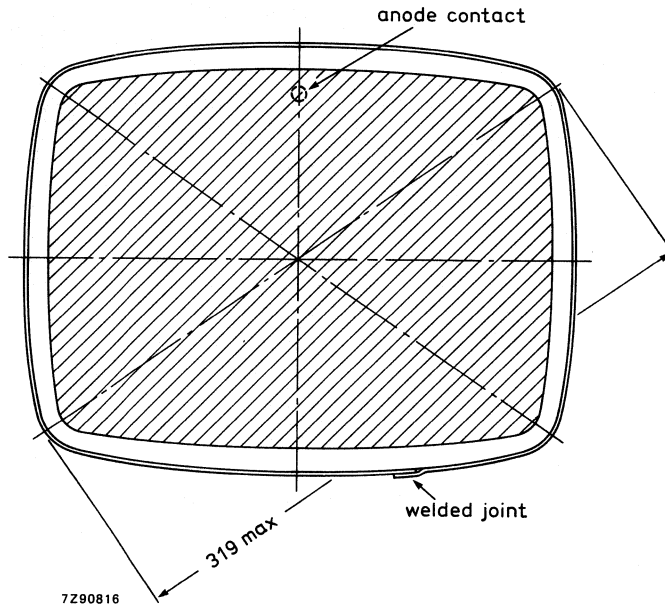


Fig. 19 Tube front view with rimband.

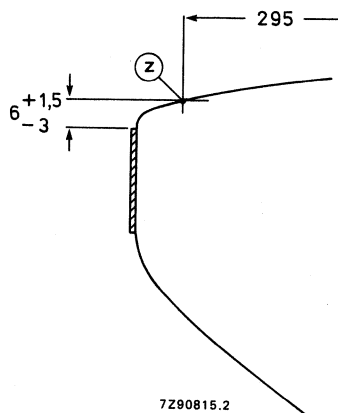


Fig. 20 Rimband position.

Front view and lug dimensions of tube M31-346

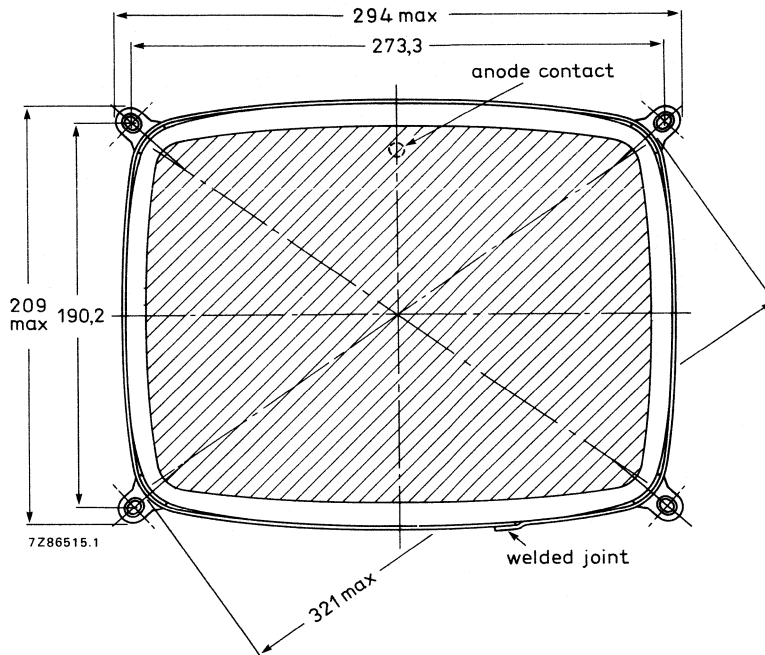


Fig. 21 Tube mounting dimensions; front view.

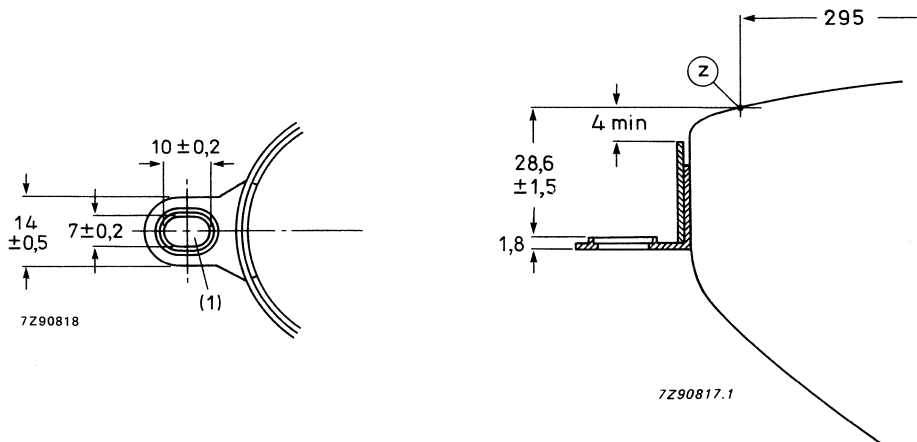


Fig. 22 Lug dimensions.

Fig. 23 Lug position.

(1) The mounting screws in the cabinet must be situated inside a circle of 4 mm diameter drawn around the true geometrical positions i.e. at the corners of a rectangle of 273,3 mm x 190,2 mm.

Front view and lug dimensions of tube M31-348

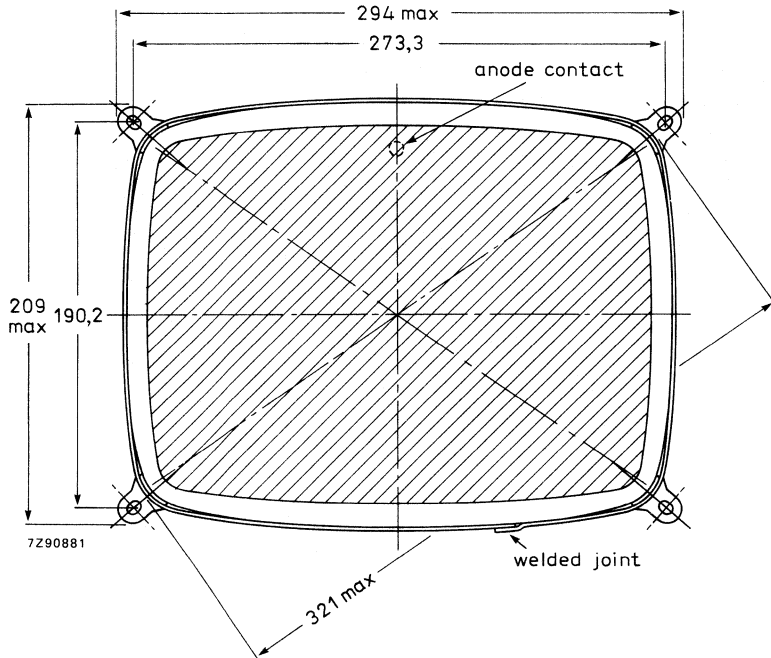


Fig. 24 Tube mounting dimensions; front view.

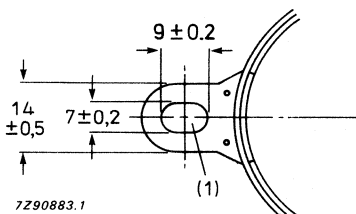


Fig. 25 Lug dimensions.

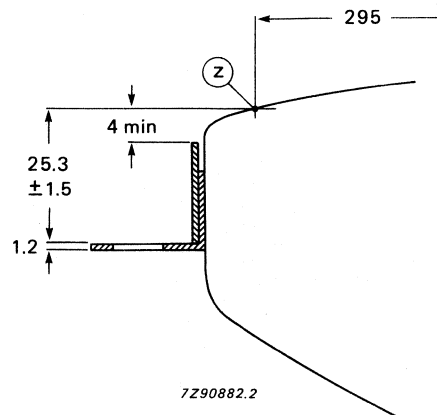


Fig. 26 Lug position.

(1) The mounting screws in the cabinet must be situated inside a circle of 4 mm diameter drawn around the true geometrical positions i.e. at the corners of a rectangle of 273,3 mm x 190,2 mm.

Maximum cone contour

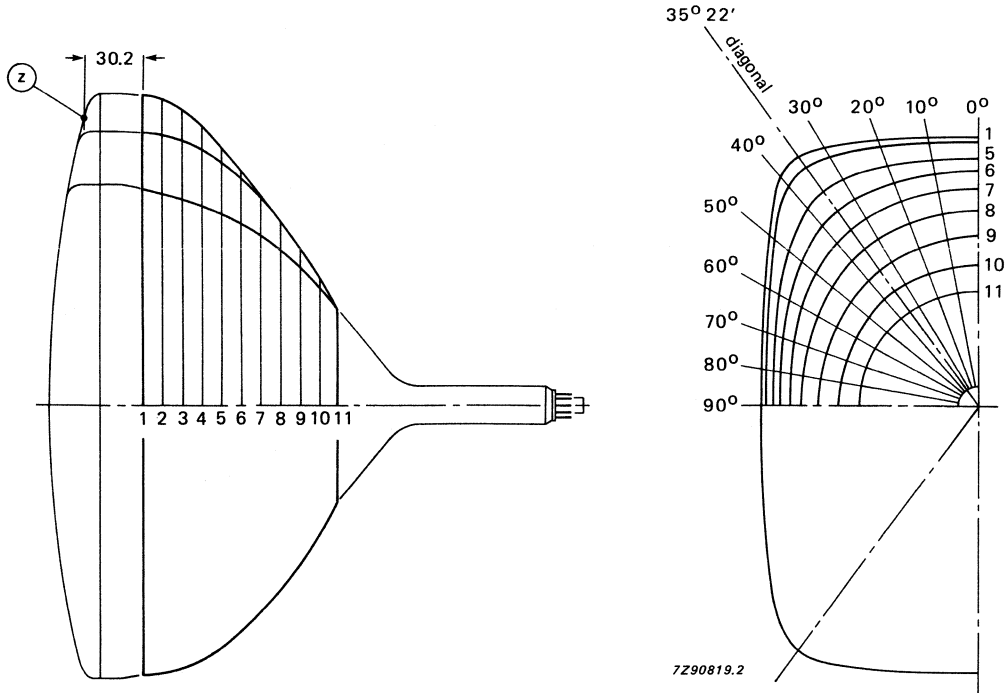


Fig. 27 Cone contour.

Table 1 Cone contour data

sec- tion	nom. distance from section 1	max. distance from centre										
		0°	10°	20°	30°	diag.	40°	50°	60°	70°	80°	90°
1	0	140,6	142,4	147,9	156,8	160,4	156,9	139,3	126,1	117,5	112,7	111,2
2	10	139,8	141,6	147,0	155,5	158,5	154,4	136,8	123,7	115,2	110,5	109,0
3	20	137,8	139,4	144,4	151,9	153,6	149,5	133,0	120,4	112,3	107,8	106,4
4	30	133,5	135,0	139,3	144,8	145,1	141,6	127,7	116,3	108,7	104,5	103,1
5	40	126,9	128,1	131,3	134,2	133,6	130,9	120,7	110,9	104,2	100,4	99,1
6	50	117,9	118,8	120,9	122,1	121,1	119,2	112,1	104,5	98,7	95,3	94,2
7	60	107,2	107,9	109,1	109,3	108,5	107,1	102,3	96,8	92,1	89,1	88,1
8	70	95,5	95,9	96,4	96,0	95,2	94,2	91,2	87,5	84,1	81,8	80,9
9	80	82,4	82,5	82,4	81,8	81,2	80,5	78,7	76,6	74,5	73,0	72,4
10	90	67,5	67,5	67,2	66,6	66,3	65,9	65,0	64,1	63,2	62,5	62,2
11	99	50,3	50,3	50,3	50,3	50,3	50,3	50,3	50,3	50,3	50,3	50,3

HIGH RESOLUTION MONOCHROME MONITOR TUBE

- For Data Graphic Displays
- 90° deflection angle
- 31 cm (12 in) face diagonal; rectangular glass
- 4:5 screen aspect ratio
- 510 mm radius of screen curvature
- 20 mm neck diameter
- Integral implosion protection

QUICK REFERENCE DATA

Deflection angle	90°
Face diagonal	31 cm (12 in)
Overall length	max. 280 mm
Neck diameter	20 mm
Heating	12 V/75 mA
Grid 2 voltage	400 V
Anode voltage	12 kV
Resolution	approx. 1300 lines

APPLICATION

This high resolution tube is for alpha-numeric and graphic display applications, such as computer terminals, small business computers, etc.

The tube can be supplied with different phosphors and anti-reflective treatments, see "High resolution monochrome monitor tubes, General".

ELECTRICAL DATA

Focusing method	electrostatic
Deflection method	magnetic
Deflection angles	
diagonal	approx. 90°
horizontal	approx. 83°
vertical	approx. 65°
Direct interelectrode capacitances	
cathode to all other electrodes	max. 4 pF
grid 1 to all other electrodes	max. 7 pF
Capacitance of external conductive coating to anode*	max. 1050 pF min. 450 pF
Capacitance of external conductive coating to anode**	max. 900 pF min. 450 pF
Capacitance of anode to implosion protection hardware**	approx. 150 pF
Heater voltage	12 V
Heater current at 12 V	75 mA

OPTICAL DATA

Phosphor type	see "High resolution monochrome monitor tubes, General"
Light transmission at screen centre	
tube with normal tinted face glass	approx. 50%
tube with dark tinted face glass	approx. 34%

RASTER CENTRING

The field intensity perpendicular to the tube axis should be adjustable from 0 to 800 A/m. For optimum overall sharpness it is recommended to centre the raster electrically via the deflection coils.

* Implosion protection hardware connected to external conductive coating.

** Implosion protection hardware not connected to external conductive coating.

MECHANICAL DATA (see also the figures under Dimensional Data)

Overall length	max. 280 mm
Greatest dimensions of tube	
diagonal	315 mm
width	279 mm
height	227 mm
Minimum useful screen dimensions (projected)	
diagonal	292 mm
horizontal axis	254 mm
vertical axis	201 mm
area	484 cm ²
Implosion protection	T-band
Bulb	EIAJ-JB310AM03 or EIAJ-JB310AW04
Bulb contact designation	IEC67-III-2, EIAJ1-21
Base designation	EIA E7-91
Basing	7GR
Mass	approx. 2,9 kg

RATINGS (Absolute Maximum System)

Unless otherwise specified voltage values are positive and measured with respect to grid 1.

Anode voltage	max. 15 kV min. 10 kV
Grid 4 (focusing electrode) voltage	-200 to + 1000 V
Grid 2 voltage	max. 700 V
Anode current	
long-term average value	max. 130 μ A
peak value	max. 300 μ A
Cathode voltage, positive peak value	max. 400 V
Heater voltage	12 V \pm 10%*
Cathode-to-heater voltage	max. 100 V

* For maximum cathode life it is recommended that the heater supply be regulated at 12 V $\begin{matrix} +0\% \\ -5\% \end{matrix}$.

CIRCUIT DESIGN VALUES

Grid 4 current		
positive	max.	25 μ A
negative	max.	25 μ A
Grid 2 current		
positive	max.	5 μ A
negative	max.	5 μ A

MAXIMUM CIRCUIT VALUES

Resistance between cathode and heater	max.	1,0 $M\Omega$
Impedance between cathode and heater	max.	0,1 $M\Omega$
Grid 1 circuit resistance	max.	1,5 $M\Omega$
Grid 1 circuit impedance	max.	0,5 $M\Omega$

TYPICAL OPERATING CONDITIONS

Cathode drive; voltages specified with respect to grid 1

Anode voltage	12 kV
Grid 4 (focusing electrode) voltage	0 to 300 V*
Grid 2 voltage	400 V
Cathode cut-off voltage	30 to 60 V**

Grid drive; voltages specified with respect to cathode

Anode voltage	12 kV
Grid 4 (focusing electrode) voltage	0 to 300 V*
Grid 2 voltage	400 V
Grid 1 cut-off voltage	34 to 64 V**

RESOLUTION

The resolution is approx. 1300 lines. It is measured at the screen centre:

- with shrinking raster method,
- at light output 68,5 cd/m² (20 foot lambert) and raster dimensions 216 x 162 mm,
- at $V_{g2} = 700$ V and anode voltage = 12kV,
- with phosphor type W (WW),
- with normal tinted face glass, without anti-glare treatment of screen surface.

X-RADIATION CHARACTERISTIC

X-radiation emitted will not exceed 0,5 mR/h throughout the useful life of the tube, when operated within the given ratings.

* Measured at screen centre on spot at anode current = 250 μ A (peak), anode voltage = 12 kV, grid 2 voltage = 400 V.

Dynamic focus (only for optimization): Typical correction for a video field of H x V = 216 mm x 162 mm:
line parabola 200 V,
field parabola 100 V.

** Visual extinction of focused raster.

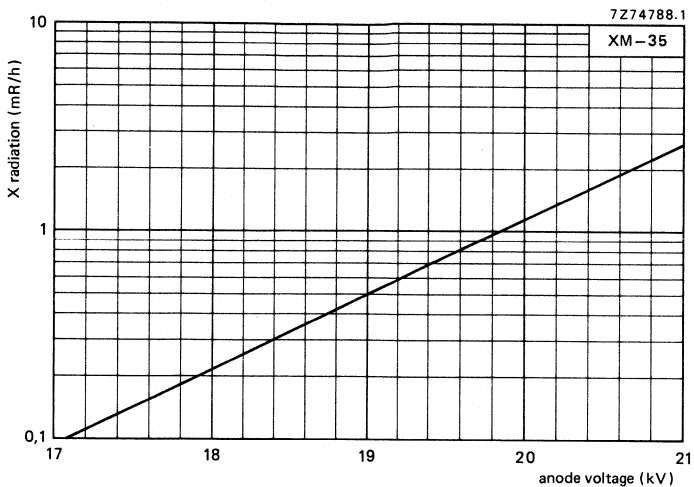


Fig. 1 X-radiation limit curve according to JEDEC94, at a constant anode current of 250 μ A, measured according to TEPAC103A.

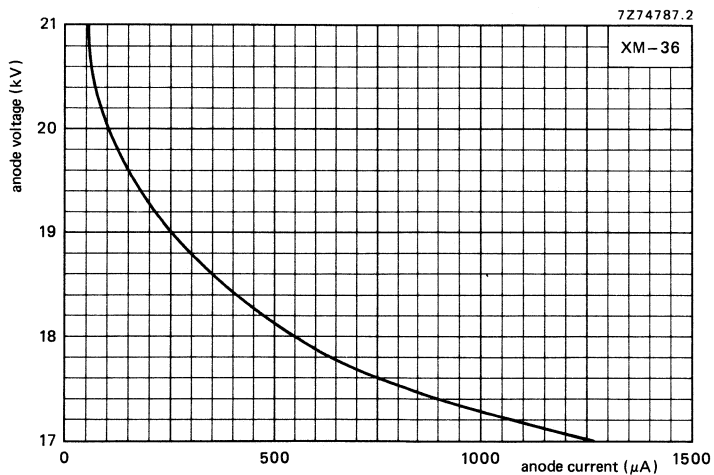


Fig. 2 0,5 mR/h isoexposure-rate limit curve, according to JEDEC94, measured according to TEPAC103A.

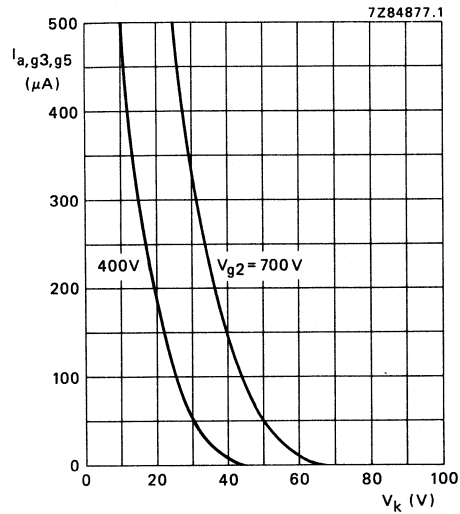


Fig. 3 Anode current as a function of cathode voltage.
Cathode drive; $V_{a,g3,g5} = 12\text{ kV}$.

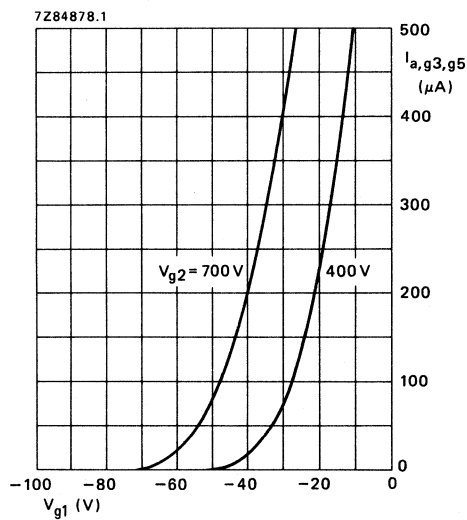


Fig. 4 Anode current as a function of grid 1 voltage.
Grid drive; $V_{a,g3,g5} = 12\text{ kV}$.

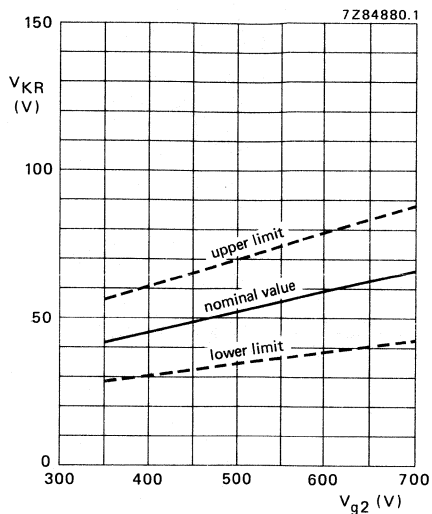


Fig. 5 Limits of cathode cut-off voltage as a function of grid 2 voltage. Cathode drive; $V_{a,g3,g5} = 12 \text{ kV}$.

$$\frac{\Delta V_{KR}}{\Delta V_{a,g3,g5}} = 0,9 \times 10^{-3}.$$

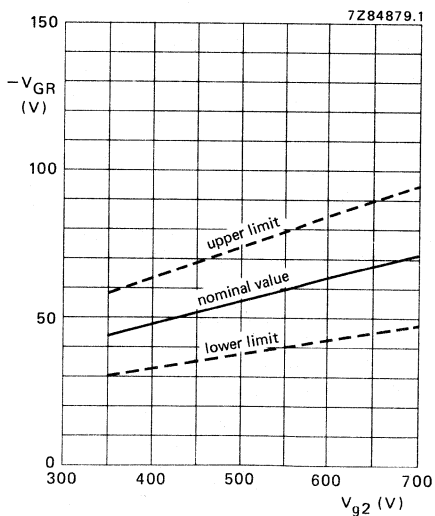


Fig. 6 Limits of grid 1 cut-off voltage as a function of grid 2 voltage. Grid drive; $V_{a,g3,g5} = 12 \text{ kV}$.

$$\frac{\Delta V_{GR}}{\Delta V_{a,g3,g5}} = 0,9 \times 10^{-3}.$$

DIMENSIONAL DATA

Dimensions in mm

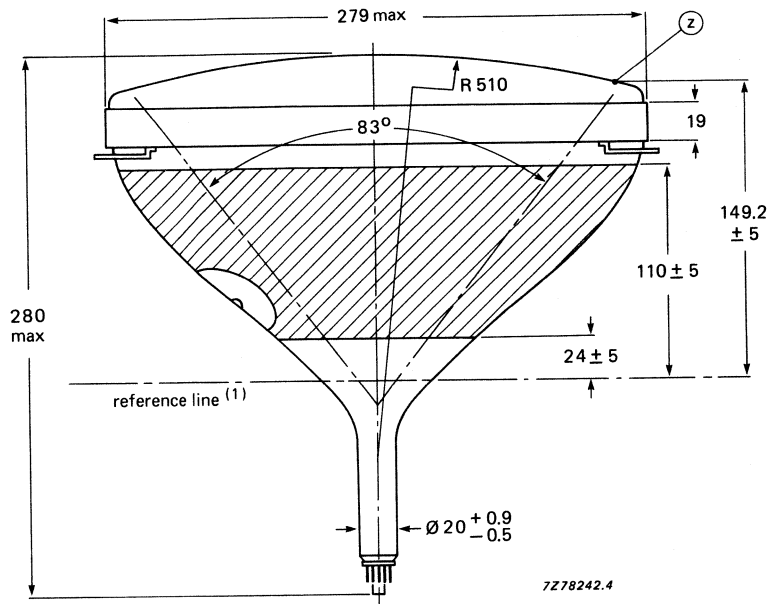


Fig. 7

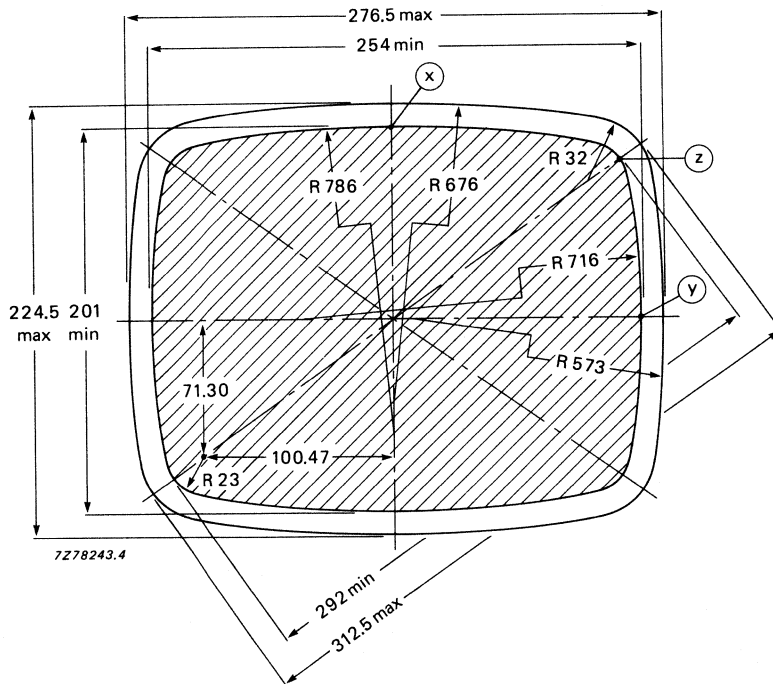
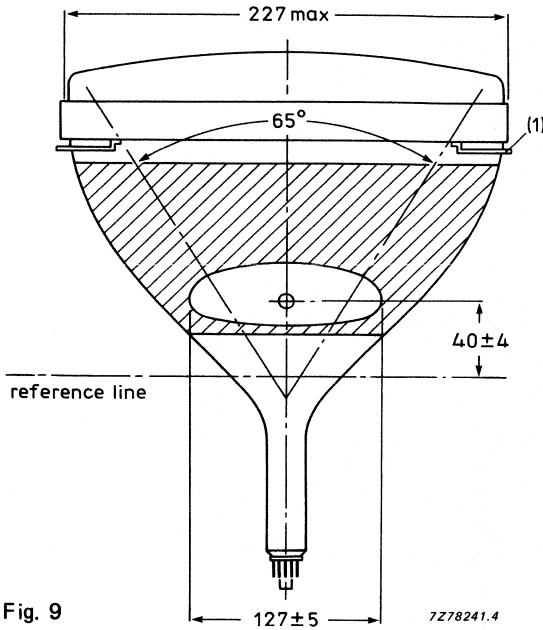


Fig. 8

(1) The reference line is determined by the plane of the upper edge of reference line gauge D when the gauge is resting on the cone.



(1) The displacement of any lug with respect to the plane through the other three lugs is max. 2 mm.

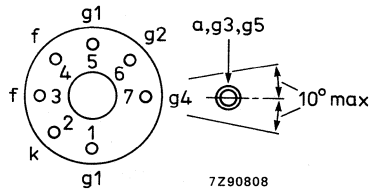
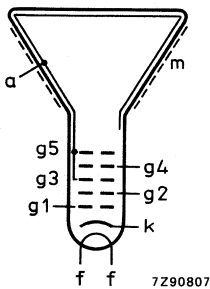
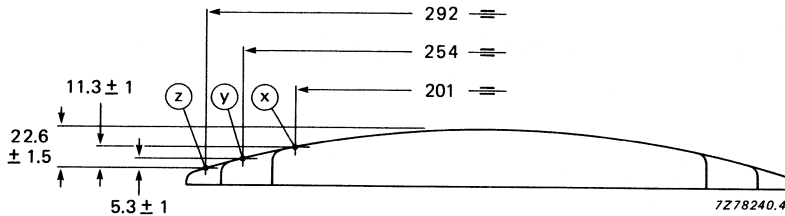


Fig. 11 Electrode configuration.

Fig. 12 Pin arrangement.

Front-view and lug dimensions of tube

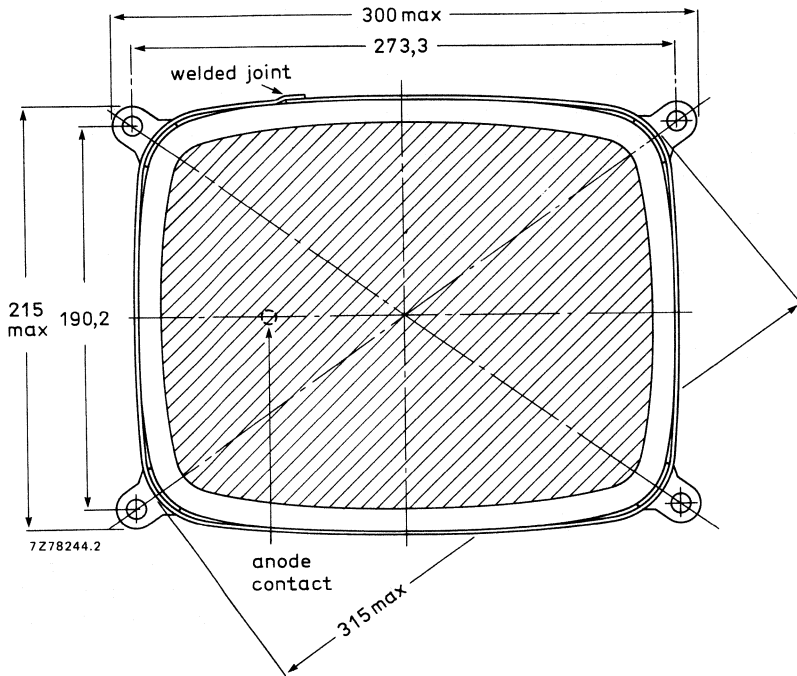


Fig. 13 Tube mounting dimensions; front view.

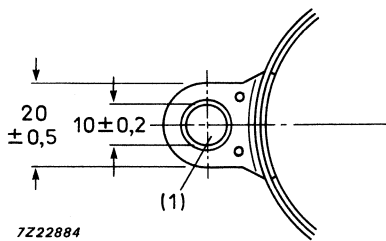


Fig. 14 Lug dimensions.

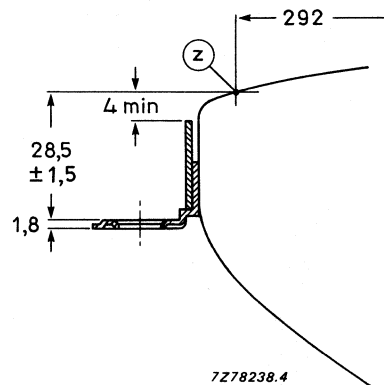


Fig. 15 Lug position.

(1) The position of the mounting screws in the cabinet must be within a circle of 7 mm diameter drawn around the true geometrical positions, i.e. the corners of a rectangle of 273,3 mm x 190,2 mm.

Maximum cone contour

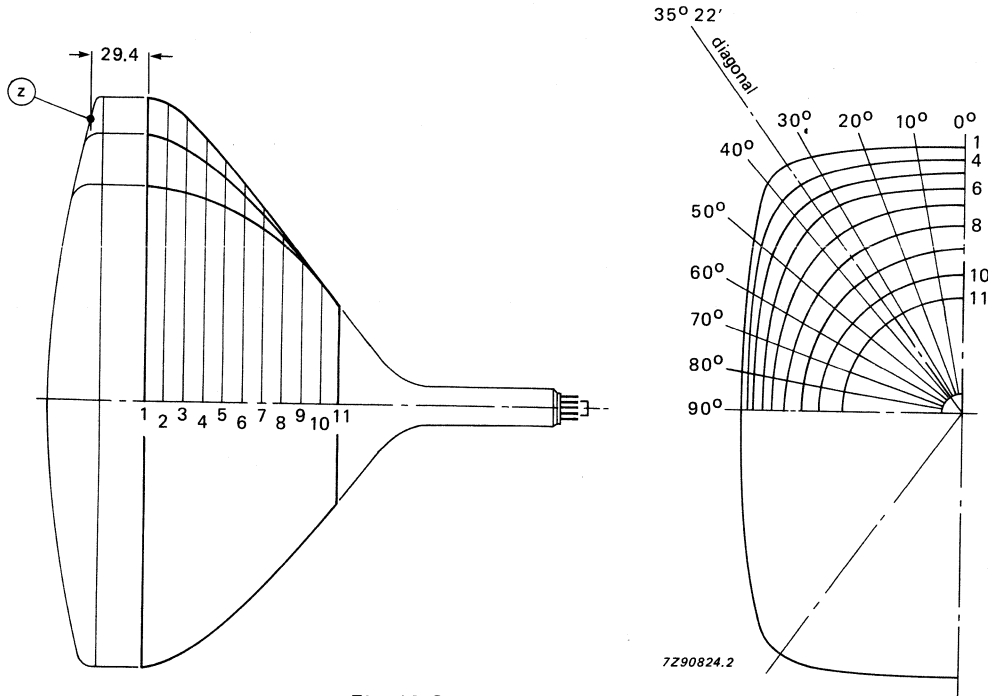


Fig. 16 Cone contour.

Table 1 Cone contour data

sec- tion	nom. distance from section 1	max. distance from centre										
		0°	10°	20°	30°	diag.	40°	50°	60°	70°	80°	90°
1	0	138,3	139,9	145,0	153,9	156,6	154,7	138,9	126,3	118,2	113,7	112,3
2	10	136,5	138,1	143,2	151,5	154,4	152,6	137,5	125,0	116,9	112,4	110,9
3	20	131,8	133,4	138,1	145,1	147,5	146,2	133,8	122,1	114,3	110,0	108,6
4	30	125,2	126,6	130,6	136,0	137,5	136,6	127,9	117,8	110,7	106,6	105,3
5	40	117,0	118,2	121,3	124,8	125,6	125,0	119,6	112,1	106,1	102,5	101,3
6	50	107,9	108,8	111,0	113,1	113,5	113,2	110,2	105,2	100,6	97,6	96,6
7	60	98,1	98,7	100,0	101,1	101,3	101,2	99,8	97,2	94,3	92,0	91,2
8	70	87,7	88,0	88,5	89,0	89,1	89,1	88,8	87,9	86,6	85,5	84,9
9	80	76,6	76,5	76,5	76,6	76,8	76,9	77,1	77,3	77,4	77,3	77,2
10	90	64,6	64,4	64,1	64,1	64,2	64,3	64,8	65,5	66,3	66,9	67,3
11	99	51,1	51,1	51,1	51,1	51,1	51,1	51,1	51,1	51,1	51,1	51,1

HIGH RESOLUTION MONOCHROME MONITOR TUBES

- For Data Graphic Displays
- 90° deflection angle
- 31 cm (12 in) face diagonal; rectangular glass
- 3:4 screen aspect ratio
- 635 mm radius of screen curvature
- 20 mm neck diameter
- Integral implosion protection

QUICK REFERENCE DATA

Deflection angle	90°
Face diagonal	31 cm (12 in)
Overall length	max. 277 mm
Neck diameter	20 mm
Heating	12 V/75 mA
Grid 2 voltage	400 V
Anode voltage	12 kV
Resolution	approx. 1300 lines

APPLICATION

These high resolution tubes are for alpha numeric and graphic display applications, such as computer terminals, small business computers, etc.

AVAILABLE VERSIONS

The following versions are available: M31-362, M31-364 and M31-366.

The tubes can be supplied with different phosphors and anti-reflective treatments, see "High resolution monochrome monitor tubes, General".

Differences between the tubes can be found under 'Dimensional Data'.

ELECTRICAL DATA

Focusing method	electrostatic
Deflection method	magnetic
Deflection angles	
diagonal	approx. 90°
horizontal	approx. 78°
vertical	approx. 61°
Interelectrode capacitances	
cathode to all other electrodes	max. 4 pF
grid 1 to all other electrodes	max. 7 pF
Capacitance of external conductive coating to anode*	max. 1200 pF min. 450 pF
Capacitance of external conductive coating to anode**	max. 1050 pF min. 450 pF
Capacitance of anode to implosion protective hardware**	approx. 150 pF
Heater voltage	12 V
Heater current at 12 V	75 mA

OPTICAL DATA

Phosphor type	see "High resolution monochrome monitor tubes, General"
Light transmission at screen centre	
tube with normal tinted face glass	approx. 46%
tube with dark tinted face glass	approx. 34%

RASTER CENTRING

The field intensity perpendicular to the tube axis should be adjustable from 0 to 800 A/m. For optimum overall sharpness it is recommended to centre the raster electrically via the deflection coils.

* Implosion protection hardware connected to external conductive coating.

** Implosion protection hardware not connected to external conductive coating.

MECHANICAL DATA (See also the figures under Dimensional Data)

Overall length	max. 277 mm
Greatest dimensions of tube	
diagonal	321 mm
width	283 mm
height	222 mm
Minimum useful screen dimensions (projected)	
diagonal	295 mm
horizontal axis	257 mm
vertical axis	195 mm
area	478 cm ²
Implosion protection	T-band
Bulb	EIAJ-JB310AP03 or EIAJ-JB310AP04
Bulb contact designation	IEC 67-III-2, EIA-J1-21
Base designation	EIA E7-91
Basing	7GR
Mass	approx. 2,9 kg

RATINGS (Absolute Maximum System)

Unless otherwise specified voltage values are positive and measured with respect to grid 1.

Anode voltage	max. 15 kV min. 10 kV
Grid 4 (focusing electrode) voltage	-200 to + 1000 V
Grid 2 voltage	max. 700 V
Anode current	
long-term average value	max. 130 μ A
peak value	max. 300 μ A
Cathode voltage, positive peak value	max. 400 V
Heater voltage	12 V \pm 10%*
Cathode-to-heater voltage	max. 100 V

* For maximum cathode life it is recommended that the heater supply be regulated at 12 V $\begin{matrix} +0\% \\ -5\% \end{matrix}$.

CIRCUIT DESIGN VALUES

Grid 4 current		
positive	max.	25 μ A
negative	max.	25 μ A
Grid 2 current		
positive	max.	5 μ A
negative	max.	5 μ A

MAXIMUM CIRCUIT VALUES

Resistance between cathode and heater	max.	1,0 M Ω
Impedance between cathode and heater	max.	0,1 M Ω
Grid 1 circuit resistance	max.	1,5 M Ω
Grid 1 circuit impedance	max.	0,5 M Ω

TYPICAL OPERATING CONDITIONS

Cathode drive; voltages specified with respect to grid 1

Anode voltage	12 kV
Grid 4 (focusing electrode) voltage	0 to 300 V*
Grid 2 voltage	400 V
Cathode cut-off voltage	30 to 60 V**

Grid drive; voltages specified with respect to cathode

Anode voltage	12 kV
Grid 4 (focusing electrode) voltage	0 to 300 V*
Grid 2 voltage	400 V
Grid 1 cut-off voltage	34 to 64 V**

RESOLUTION

The resolution is approx. 1300 lines. It is measured at the screen centre:

- with shrinking raster method,
- at light output 68,5 cd/m² (20 foot lambert) and raster dimensions 216 x 162 mm,
- at $V_{g2} = 700$ V and anode voltage = 12 kV,
- with phosphor type W (WW),
- with normal tinted face glass, without anti-glare treatment of screen surface.

X-RADIATION CHARACTERISTICS

X-radiation emitted will not exceed 0,5 mR/h throughout the useful life of the tube, when operated within the given ratings.

* Measured at screen centre on spot at anode current = 250 μ A (peak), anode voltage = 12 kV, grid 2 voltage = 400 V.

Dynamic focus (only for optimization): Typical correction for a video field of H x V = 216 mm x 162 mm:
line parabola 200 V,
field parabola 100 V.

** Visual extinction of focused raster.

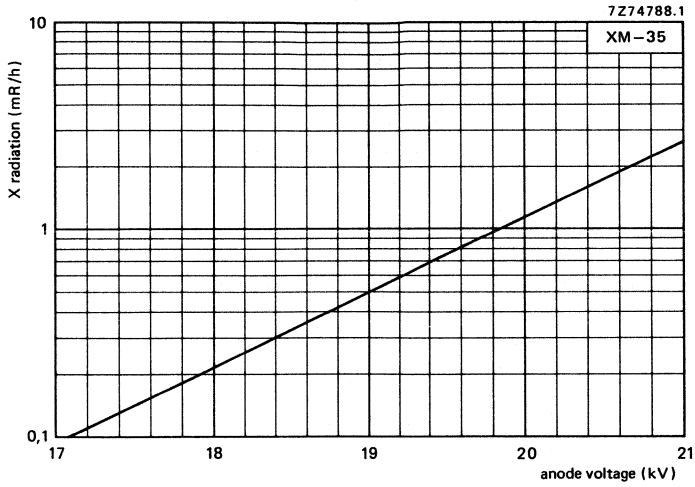


Fig. 1 X-radiation limit curve according to JEDEC 94, at a constant anode current of 250 μ A, measured according to TEPAC103A.

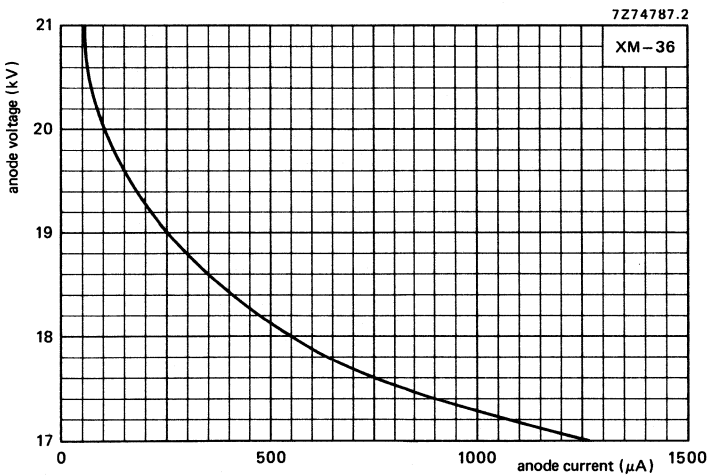


Fig. 2 0,5 mR/h isoexposure-rate limit curve, according to JEDEC94, measured according to TEPAC103A.

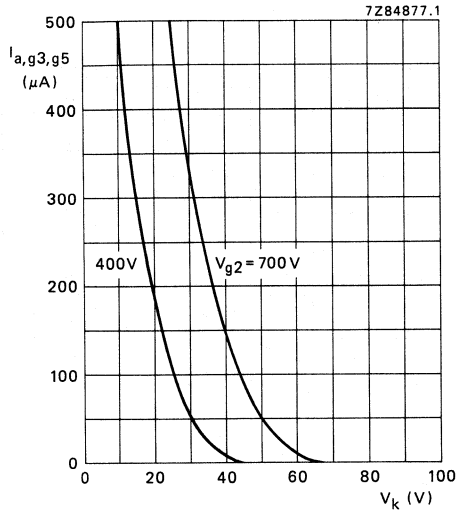


Fig. 3 Anode current as a function of cathode voltage.
Cathode drive; $V_{a,g3,g5} = 12\text{ kV}$.

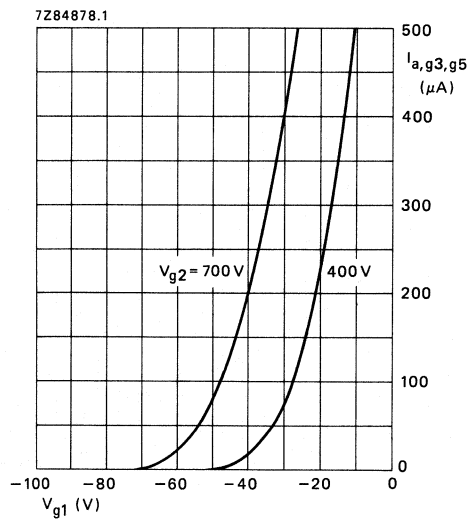


Fig. 4 Anode current as a function of grid 1 voltage.
Grid drive; $V_{a,g3,g5} = 12\text{ kV}$.

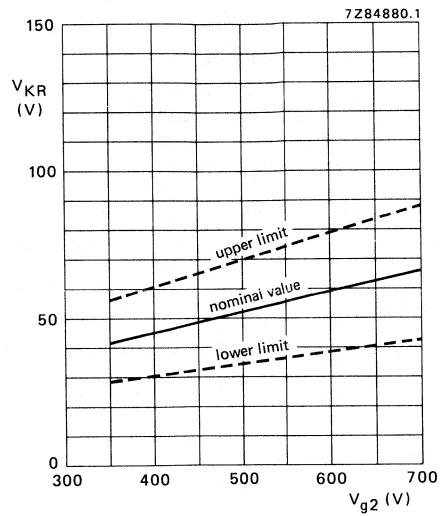


Fig. 5 Limits of cathode cut-off voltage as a function of grid 2 voltage. Cathode drive; $V_{a,g3,g5} = 12$ kV.

$$\frac{\Delta V_{KR}}{\Delta V_{a,g3,g5}} = 0.9 \times 10^{-3}.$$

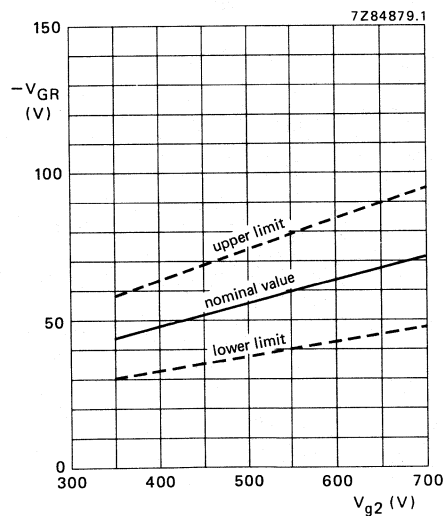
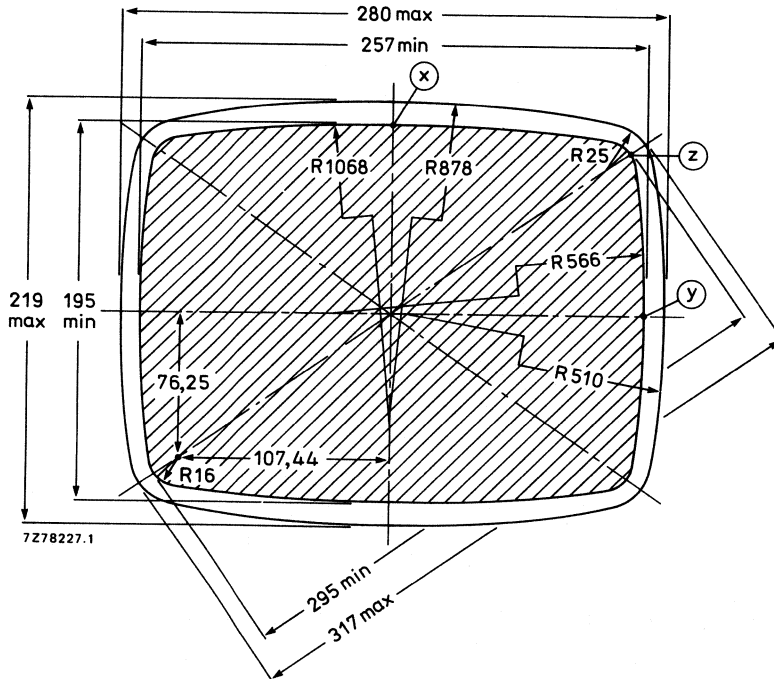
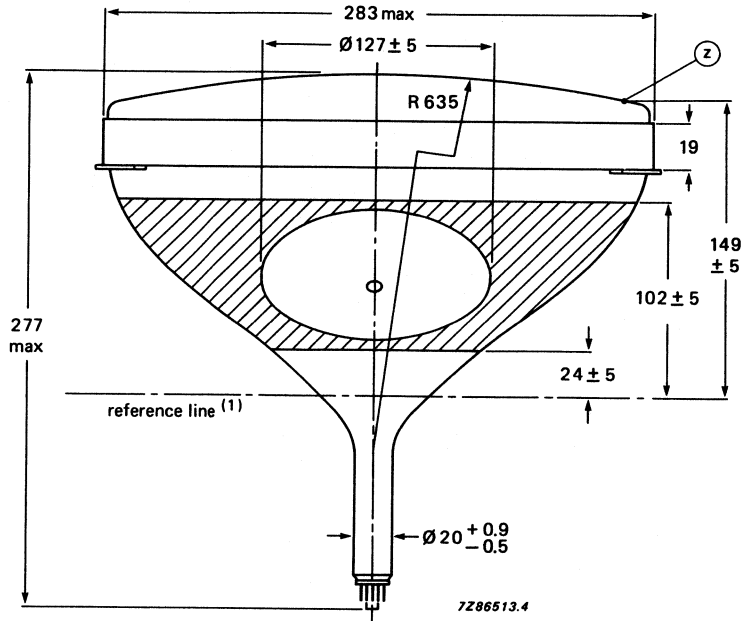


Fig. 6 Limits of grid 1 cut-off voltage as a function of grid 2 voltage. Grid drive; $V_{a,g3,g5} = 12$ kV.

$$\frac{\Delta V_{GR}}{\Delta V_{a,g3,g5}} = 0.9 \times 10^{-3}.$$

DIMENSIONAL DATA

Dimensions in mm



(1) The reference line is determined by the plane of the upper edge of reference line gauge D when the gauge is resting on the cone.

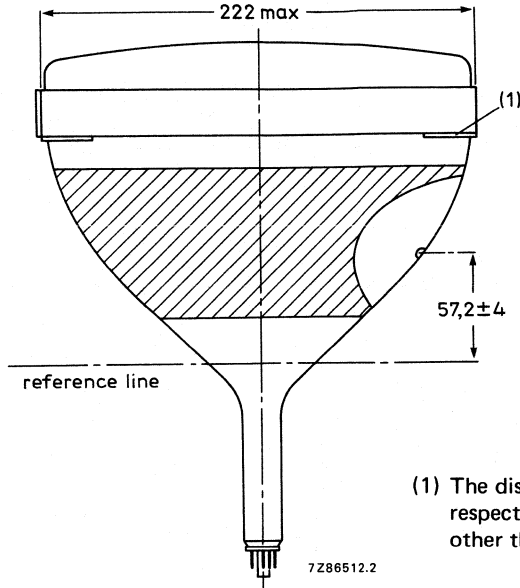


Fig. 9

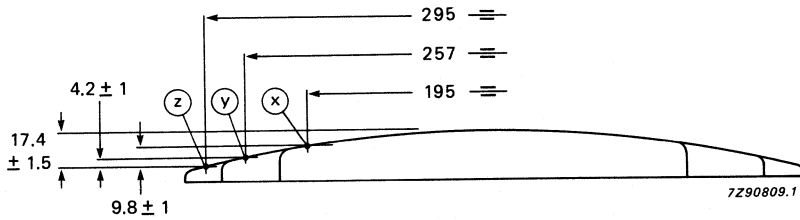


Fig. 10 Screen reference points.

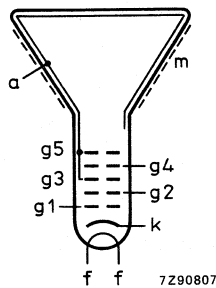


Fig. 11 Electrode configuration.

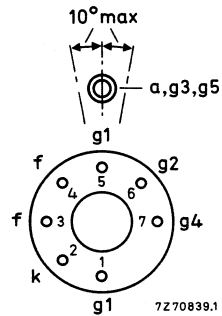


Fig. 12 Pin arrangement.

Front view and lug dimensions of tube M31-362

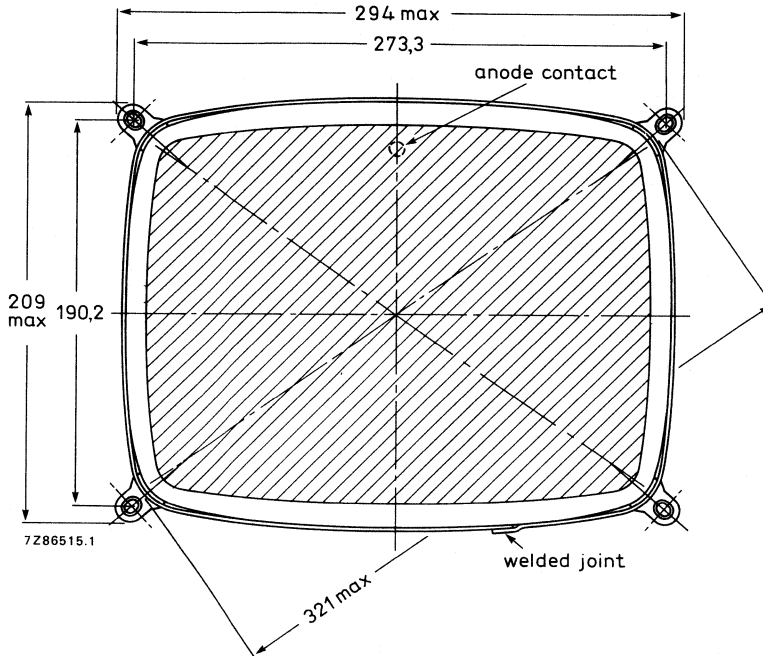


Fig. 13 Tube mounting dimensions; front view.

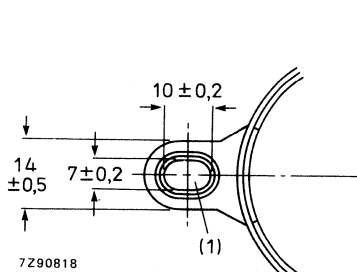


Fig. 14 Lug dimensions.

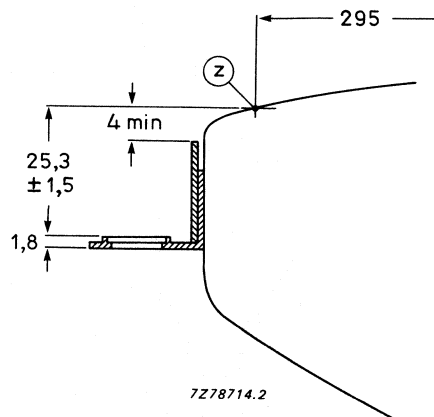


Fig. 15 Lug position.

(1) The mounting screws in the cabinet must be situated inside a circle of 4 mm diameter drawn around the true geometrical positions i.e. at the corners of a rectangle of 273,3 mm x 190,2 mm.

Front view and lug dimensions of tube M31-364

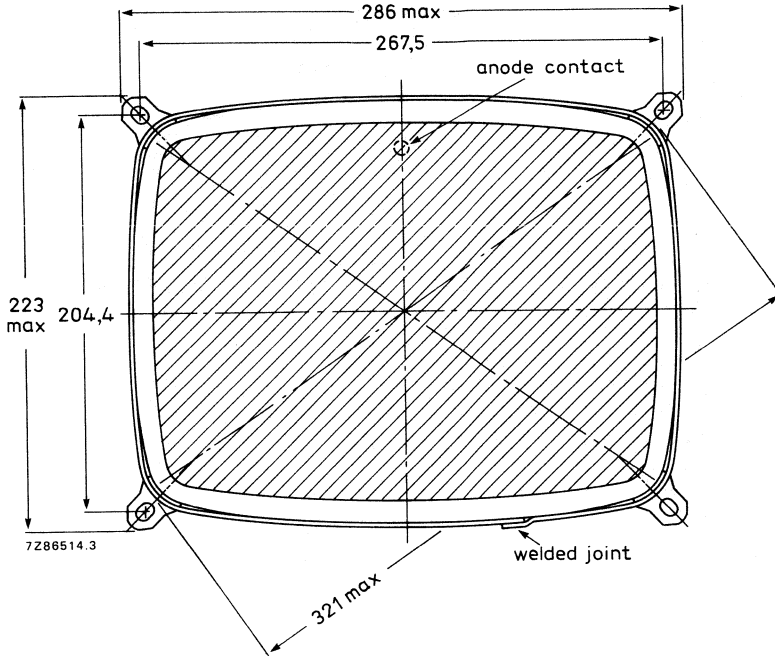


Fig. 16 Tube mounting dimensions; front view.

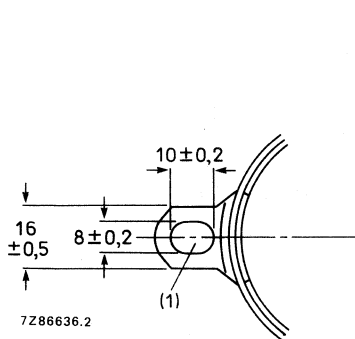


Fig. 17 Lug dimensions.

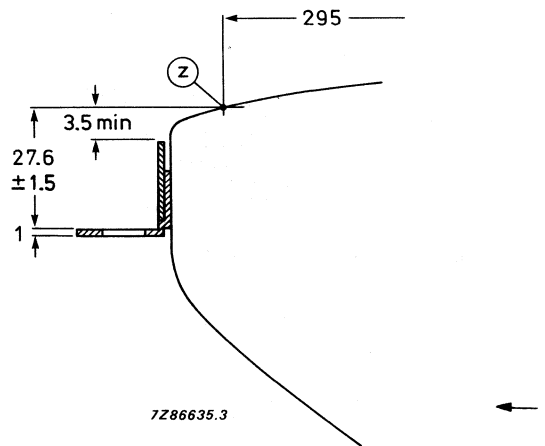


Fig 18 Lug position.

(1) The mounting screws in the cabinet must be situated inside a circle of 5 mm diameter drawn around the true geometrical positions i.e. at the corners of a rectangle of 267,5 mm x 204,4 mm.

Front view and lug dimensions of tube M31-366

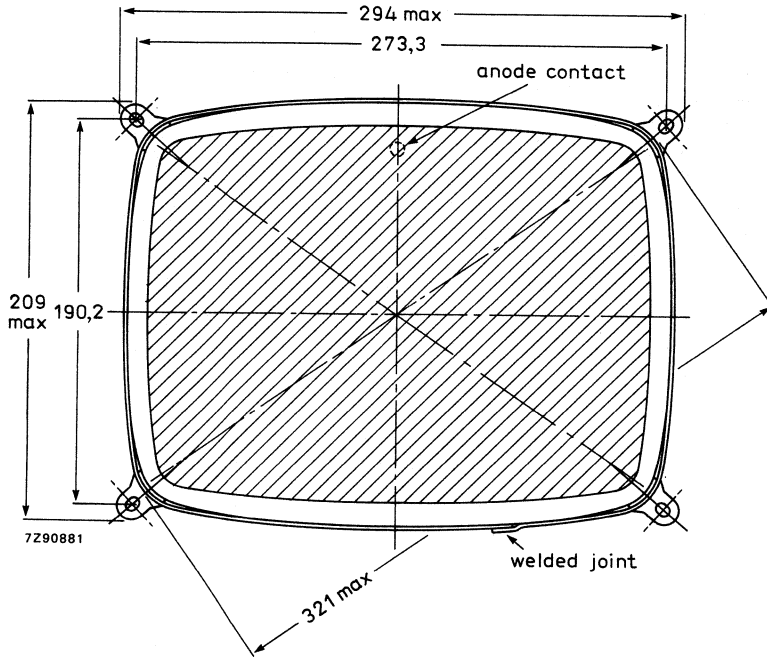


Fig. 19 Tube mounting dimensions; front view.

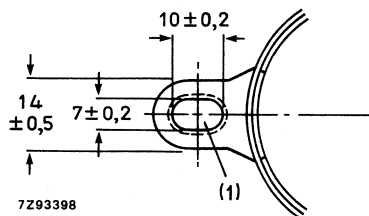


Fig. 20 Lug dimensions.

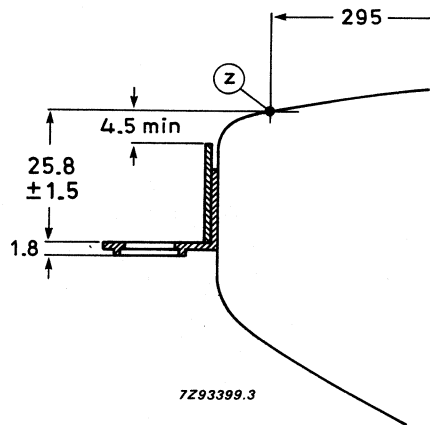


Fig. 21 Lug position.

(1) The mounting screws in the cabinet must be situated inside a circle of 4 mm diameter drawn around the true geometrical positions i.e. at the corners of a rectangle of 273,3 mm x 190,2 mm.

Maximum cone contour

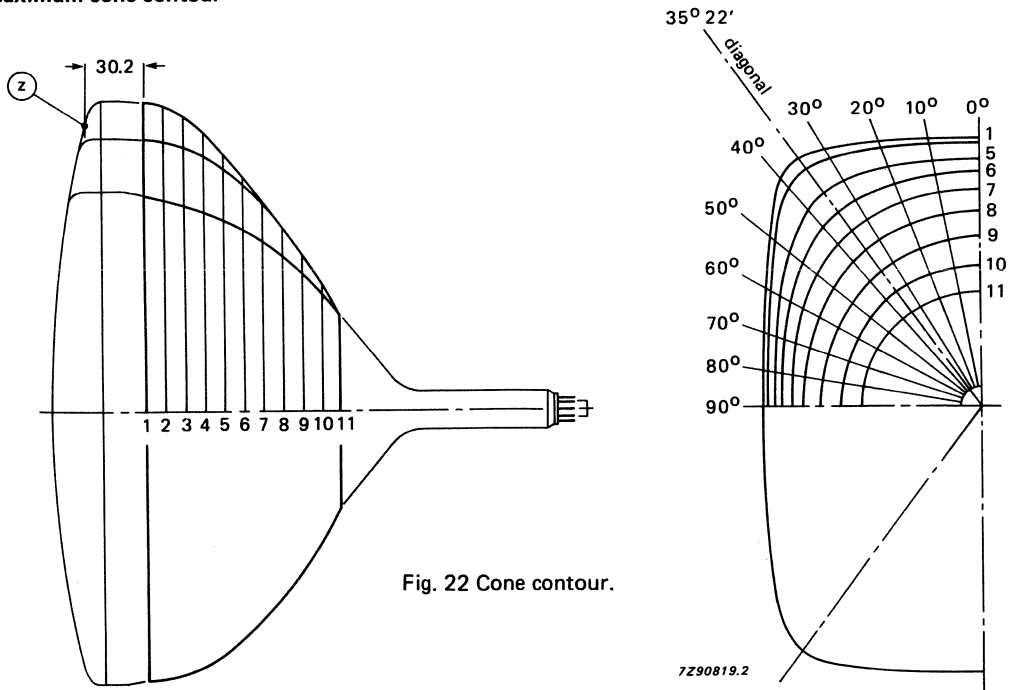


Fig. 22 Cone contour.

Table 1 Cone contour data

sec- tion	nom. distance from section 1	max. distance from centre										
		0°	10°	20°	30°	diag.	40°	50°	60°	70°	80°	90°
1	0	140,6	142,4	147,9	156,8	160,4	156,9	139,3	126,1	117,5	112,7	111,2
2	10	139,8	141,6	147,0	155,5	158,5	154,4	136,8	123,7	115,2	110,5	109,0
3	20	137,8	139,4	144,4	151,9	153,6	149,5	133,0	120,4	112,3	107,8	106,4
4	30	133,5	135,0	139,3	144,8	145,1	141,6	127,7	116,3	108,7	104,5	103,1
5	40	126,9	128,1	131,3	134,2	133,6	130,9	120,7	110,9	104,2	100,4	99,1
6	50	117,9	118,8	120,9	122,1	121,1	119,2	112,1	104,5	98,7	95,3	94,2
7	60	107,2	107,9	109,1	109,3	108,5	107,1	102,3	96,8	92,1	89,1	88,1
8	70	95,5	95,9	96,4	96,0	95,2	94,2	91,2	87,5	84,1	81,8	80,9
9	80	82,4	82,5	82,4	81,8	81,2	80,5	78,7	76,6	74,5	73,0	72,4
10	90	67,5	67,5	67,2	66,6	66,3	65,9	65,0	64,1	63,2	62,5	62,2
11	99	50,3	50,3	50,3	50,3	50,3	50,3	50,3	50,3	50,3	50,3	50,3

HIGH RESOLUTION MONOCHROME MONITOR TUBE

- For Data Graphic Displays
- 90° deflection angle
- 31 cm (12 in) face diagonal; rectangular glass
- 3:4 screen aspect ratio
- 635 mm radius of screen curvature
- 20 mm neck diameter
- Integral implosion protection

QUICK REFERENCE DATA

Deflection angle	90°
Face diagonal	31 cm (12 in)
Overall length	max. 277 mm
Neck diameter	20 mm
Heating	12 V/75 mA
Grid 2 voltage	400 V
Anode voltage	12 kV
Resolution	approx. 1300 lines

APPLICATION

This high resolution tube is for alpha numeric and graphic display applications, such as computer terminals, small business computers, etc.

AVAILABLE VERSIONS

The tube can be supplied with different phosphors and anti-reflective treatments, see "High-resolution monochrome monitor tubes, General".

ELECTRICAL DATA

Focusing method	electrostatic
Deflection method	magnetic
Deflection angles	
diagonal	approx. 90°
horizontal	approx. 78°
vertical	approx. 61°
Interelectrode capacitances	
cathode to all other electrodes	max. 4pF
grid 1 to all other electrodes	max. 7pF
Capacitance of external conductive coating to anode*	max. 1200 pF
	min. 450 pF
Capacitance of external conductive coating to anode**	max. 1050 pF
	min. 450 pF
Capacitance of anode to implosion protective hardware**	approx. 150 pF
Heater voltage	12 V
Heater current at 12 V	75 mA

OPTICAL DATA

Phosphor type	see "High resolution monochrome monitor tubes, General"
Light transmission at screen centre	
tube with normal tinted face glass	approx. 46%
tube with dark tinted face glass	approx. 34%

RASTER CENTRING

The field intensity perpendicular to the tube axis should be adjustable from 0 to 800 A/m. For optimum overall sharpness it is recommended to centre the raster electrically via the deflection coils.

* Implosion protection hardware connected to external conductive coating.

** Implosion protection hardware not connected to external conductive coating.

MECHANICAL DATA (See also the figures under Dimensional Data)

Overall length	max. 277 mm
Greatest dimensions of tube	
diagonal	321 mm
width	283 mm
height	222 mm
Minimum useful screen dimensions (projected)	
diagonal	295 mm
horizontal axis	257 mm
vertical axis	195 mm
area	478 cm ²
Implosion protection	T-band
Bulb	EIAJ-JB310AR03 or EIAJ-JB310AR04
Bulb contact designation	IEC 67-III-2, EIA-J1-21
Base designation	EIA E7-91
Basing	7GR
Mass	approx. 2,9 kg

RATINGS (Absolute Maximum System)

Unless otherwise specified voltage values are positive and measured with respect to grid 1.

Anode voltage	max. 15 kV min. 10 kV
Grid 4 (focusing electrode) voltage	-200 to + 1000 V
Grid 2 voltage	max. 700 V
Anode current	
long-term average value	max. 130 μ A
peak value	max. 300 μ A
Cathode voltage, positive peak value	max. 400 V
Heater voltage	12 V \pm 10%*
Cathode-to-heater voltage	max. 100 V

DEVELOPMENT DATA

* For maximum cathode life it is recommended that the heater supply be regulated at 12 V $\begin{matrix} +0\% \\ -5\% \end{matrix}$.

CIRCUIT DESIGN VALUES

Grid 4 current		
positive	max.	25 μ A
negative	max.	25 μ A
Grid 2 current		
positive	max.	5 μ A
negative	max.	5 μ A

MAXIMUM CIRCUIT VALUES

Resistance between cathode and heater	max.	1,0 M Ω
Impedance between cathode and heater	max.	0,1 M Ω
Grid 1 circuit resistance	max.	1,5 M Ω
Grid 1 circuit impedance	max.	0,5 M Ω

TYPICAL OPERATING CONDITIONS

Cathode drive; voltages specified with respect to grid 1

Anode voltage	12 kV
Grid 4 (focusing electrode) voltage	0 to 300 V*
Grid 2 voltage	400 V
Cathode cut-off voltage	30 to 60 V**

Grid drive; voltages specified with respect to cathode

Anode voltage	12 kV
Grid 4 (focusing electrode) voltage	0 to 300 V**
Grid 2 voltage	400 V
Grid 1 cut-off voltage	34 to 64 V**

RESOLUTION

The resolution is approx. 1300 lines. It is measured at the screen centre:

- with shrinking raster method,
- at light output 68,5 cd/m² (20 foot lambert) and raster dimensions 216 mm x 162 mm,
- at $V_{g2} = 700$ V and anode voltage = 12 kV,
- with phosphor type WW,
- with normal tinted face glass, without anti-glare treatment of screen surface.

X-RADIATION CHARACTERISTIC

X-radiation emitted will not exceed 0,5 mR/h throughout the useful life of the tube, when operated within the given ratings.

* Measured at screen centre on spot at anode current = 250 μ A (peak), anode voltage = 12 kV, grid 2 voltage = 400 V.

Dynamic focus (only for optimization): Typical correction for a video field of H x V = 216 mm x 162 mm:
line parabola 200 V,
field parabola 100 V.

** Visual extinction of focused raster.

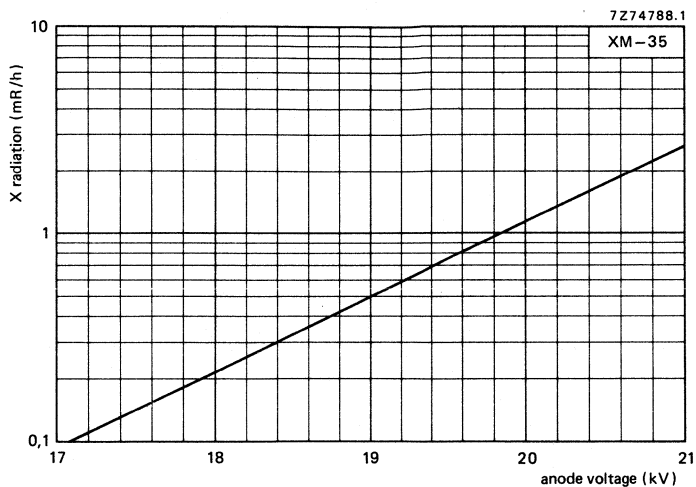


Fig. 1 X-radiation limit curve according to JEDEC 94, at a constant anode current of 250 μ A, measured according to TEPAC103A.

DEVELOPMENT DATA

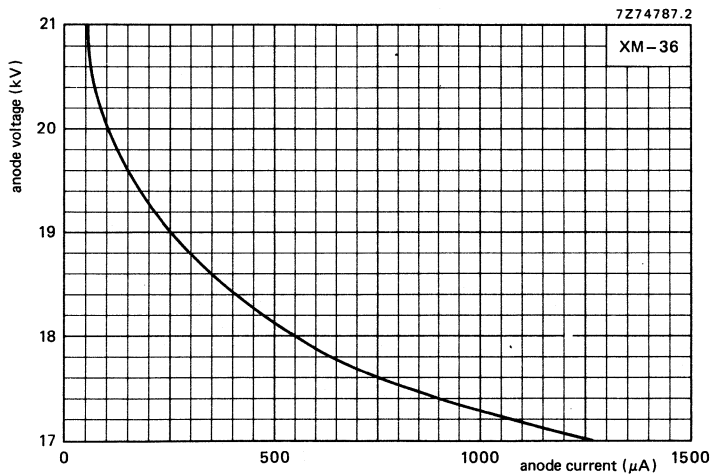


Fig. 2 0,5 mR/h isoexposure-rate limit curve, according to JEDEC94, measured according to TEPAC103A.

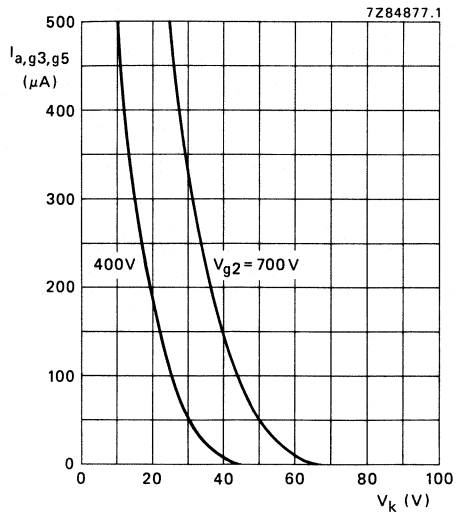


Fig. 3 Anode current as a function of cathode voltage.
Cathode drive; $V_{a,g3,g5} = 12$ kV.

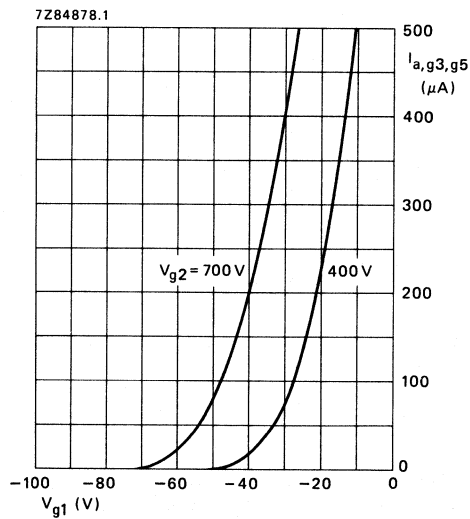


Fig. 4 Anode current as a function of grid 1 voltage.
Grid drive; $V_{a,g3,g5} = 12$ kV.

DEVELOPMENT DATA

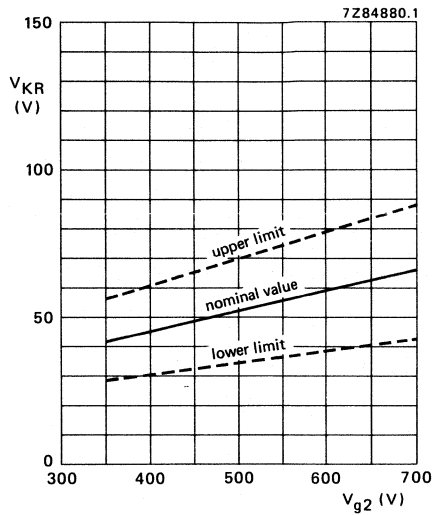


Fig. 5 Limits of cathode cut-off voltage as a function of grid 2 voltage.
Cathode drive; $V_{a,g3,g5} = 12$ kV.

$$\frac{\Delta V_{KR}}{\Delta V_{a,g3,g5}} = 0,9 \times 10^{-3}$$

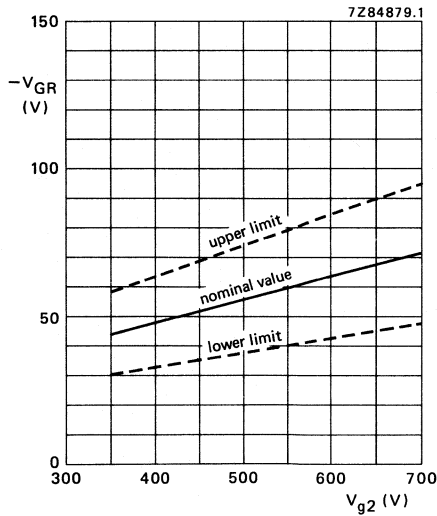


Fig. 6 Limits of grid 1 cut-off voltage as a function of grid 2 voltage.
Grid drive; $V_{a,g3,g5} = 12$ kV.

$$\frac{\Delta V_{GR}}{\Delta V_{a,g3,g5}} = 0,9 \times 10^{-3}$$

DIMENSIONAL DATA

Dimensions in mm

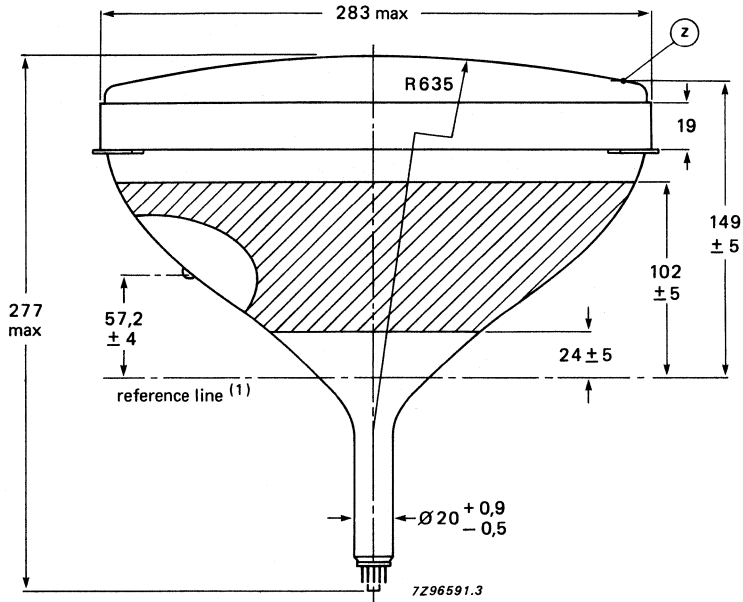


Fig. 7

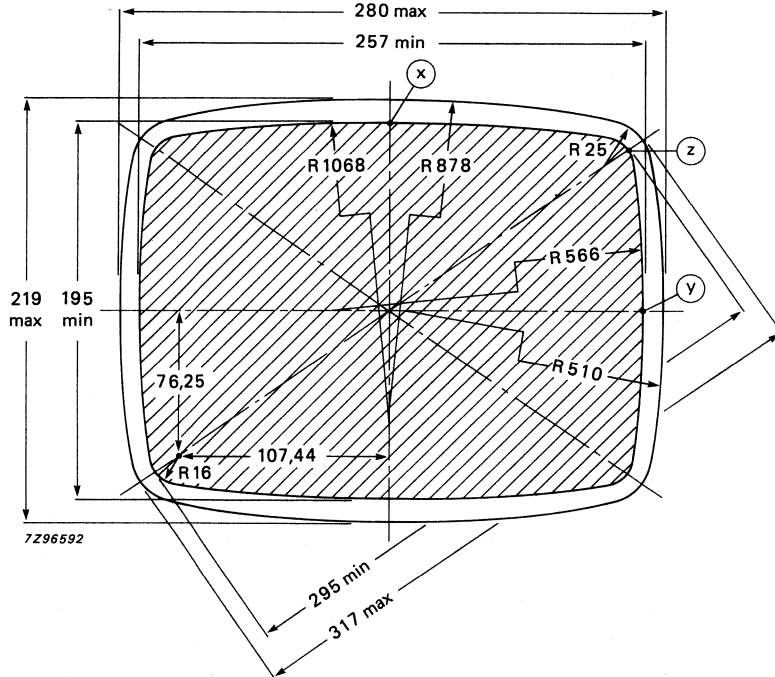


Fig. 8

(1) The reference line is determined by the plane of the upper edge of reference line gauge D when the gauge is resting on the cone.

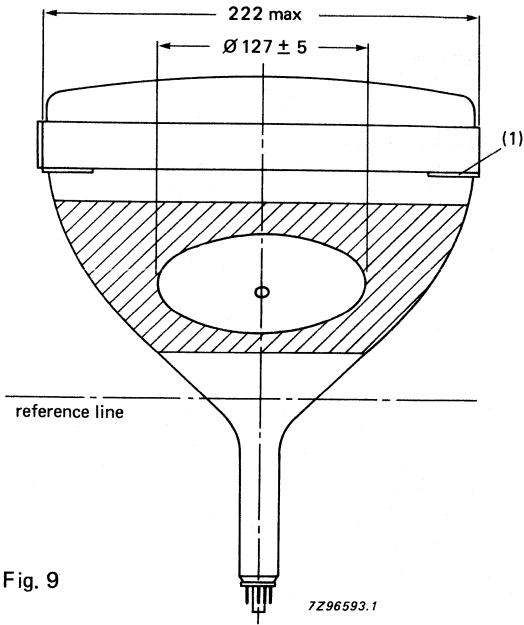


Fig. 9

(1) The displacement of any lug with respect to the plane through the other three lugs is max. 2 mm.

DEVELOPMENT DATA

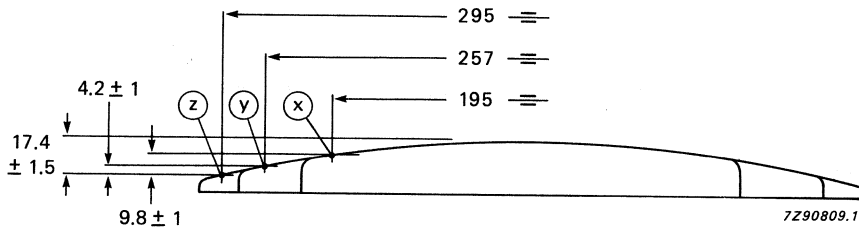


Fig. 10 Screen reference points.

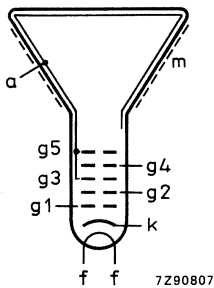


Fig. 11 Electrode configuration.

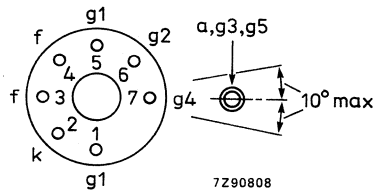


Fig. 12 Pin arrangement.

Front view and lug dimensions

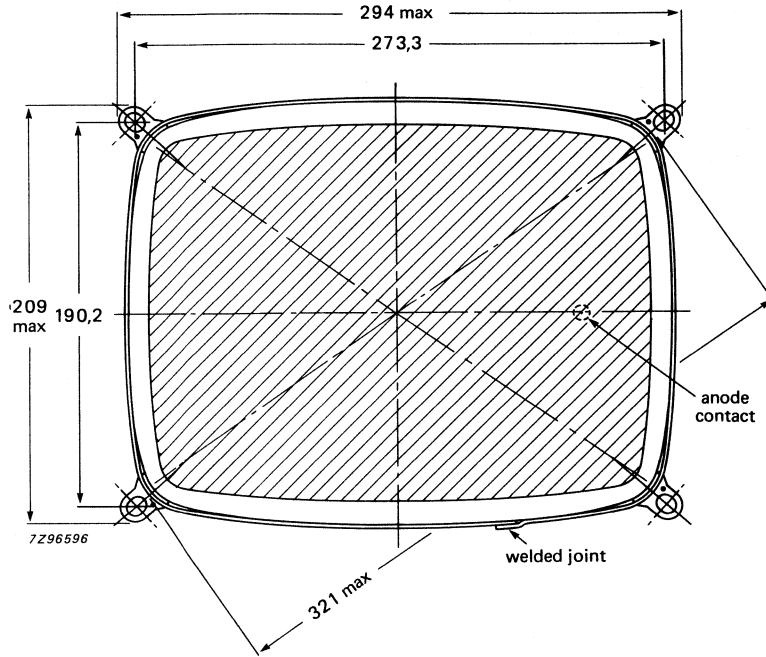


Fig. 13 Tube mounting dimensions; front view.

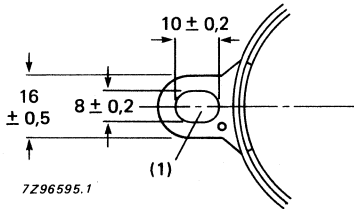


Fig. 14 Lug dimensions.

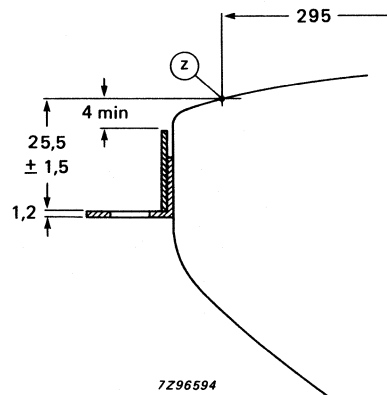


Fig. 15 Lug position.

(1) The mounting screws in the cabinet must be situated inside a circle of 5 mm diameter drawn around the true geometrical positions i.e. at the corners of a rectangle of 273,3 mm x 190,2 mm.

Maximum cone contour

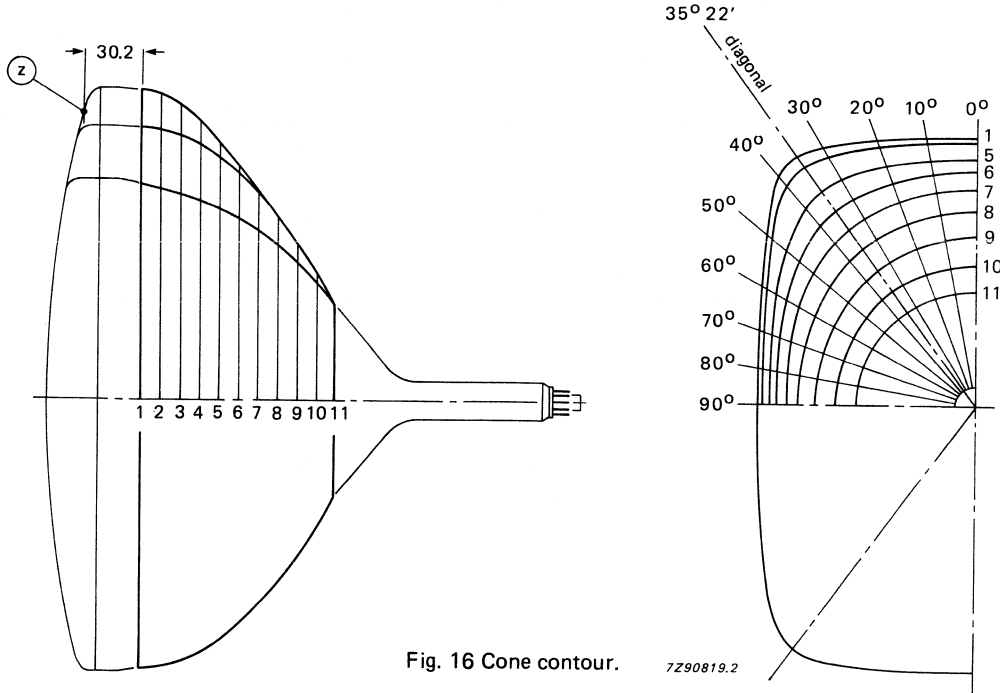


Fig. 16 Cone contour.

7Z90819.2

DEVELOPMENT DATA

Table 1 Cone contour data

sec- tion	nom. distance from section 1	max. distance from centre										
		0°	10°	20°	30°	diag.	40°	50°	60°	70°	80°	90°
1	0	140,6	142,4	147,9	156,8	160,4	156,9	139,3	126,1	117,5	112,7	111,2
2	10	139,8	141,6	147,0	155,5	158,5	154,4	136,8	123,7	115,2	110,5	109,0
3	20	137,8	139,4	144,4	151,9	153,6	149,5	133,0	120,4	112,3	107,8	106,4
4	30	133,5	135,0	139,3	144,8	145,1	141,6	127,7	116,3	108,7	104,5	103,1
5	40	126,9	128,1	131,3	134,2	133,6	130,9	120,7	110,9	104,2	100,4	99,1
6	50	117,9	118,8	120,9	122,1	121,1	119,2	112,1	104,5	98,7	95,3	94,2
7	60	107,2	107,9	109,1	109,3	108,5	107,1	102,3	96,8	92,1	89,1	88,1
8	70	95,5	95,9	96,4	96,0	95,2	94,2	91,2	87,5	84,1	81,8	80,9
9	80	82,4	82,5	82,4	81,8	81,2	80,5	78,7	76,6	74,5	73,0	72,4
10	90	67,5	67,5	67,2	66,6	66,3	65,9	65,0	64,1	63,2	62,5	62,2
11	99	50,3	50,3	50,3	50,3	50,3	50,3	50,3	50,3	50,3	50,3	50,3

DEVELOPMENT DATA

This data sheet contains advance information and specifications are subject to change without notice.

M31-382

HIGH RESOLUTION MONOCHROME MONITOR TUBE

- For Data Graphic Displays
- 90° deflection angle
- 31 cm (12 in) face diagonal; rectangular glass
- 3:4 screen aspect ratio
- 635 mm radius of screen curvature
- 20 mm neck diameter
- Integral implosion protection

QUICK REFERENCE DATA

Deflection angle	90°
Face diagonal	31 cm (12 in)
Overall length	max. 277 mm
Neck diameter	20 mm
Heating	12 V/75 mA
Grid 2 voltage	400 V
Anode voltage	12 kV
Resolution	approx. 1300 lines

APPLICATION

This high resolution tube is for alphanumeric and graphic display applications, such as computer terminals, small business computers, etc.

AVAILABLE VERSIONS

The tube can be supplied with different phosphors and anti-reflective treatments, see "High resolution monochrome monitor tubes, General".

ELECTRICAL DATA

Focusing method	electrostatic
Deflection method	magnetic
Deflection angles	
diagonal	approx. 90°
horizontal	approx. 78°
vertical	approx. 61°
Interelectrode capacitances	
cathode to all other electrodes	max. 4 pF
grid 1 to all other electrodes	max. 7 pF
Capacitance of external conductive coating to anode*	max. 1200 pF
	min. 450 pF
Capacitance of external conductive coating to anode**	max. 1050 pF
	min. 450 pF
Capacitance of anode to implosion protective hardware**	approx. 150 pF
Heater voltage	12 V
Heater current at 12 V	75 mA

OPTICAL DATA

Phosphor type	see "High resolution monochrome monitor tubes, General"
Light transmission at screen centre	
tube with normal tinted face glass	approx. 46%
tube with dark tinted face glass	approx. 34%

RASTER CENTRING

The field intensity perpendicular to the tube axis should be adjustable from 0 to 800 A/m. For optimum overall sharpness it is recommended to centre the raster electrically via the deflection coils.

* Implosion protection hardware connected to external conductive coating.

** Implosion protection hardware not connected to external conductive coating.

MECHANICAL DATA (See also the figures under Dimensional Data)

Overall length	max. 277 mm
Greatest dimensions of tube	
diagonal	321 mm
width	283 mm
height	222 mm
Minimum useful screen dimensions (projected)	
diagonal	295 mm
horizontal axis	257 mm
vertical axis	195 mm
area	478 cm ²
Implosion protection	T-band
Bulb	EIAJ-JB310AP03 or EIAJ-JB310AP04
Bulb contact designation	IEC 67-III-2, EIA-J1-21
Base designation	EIA E7-91
Basing	7GR
Mass	approx. 2,9 kg

RATINGS (Absolute Maximum System)

Unless otherwise specified voltage values are positive and measured with respect to grid 1.

Anode voltage	max. 15 kV min. 10 kV
Grid 4 (focusing electrode) voltage	-200 to +1000 V
Grid 2 voltage	max. 700 V
Anode current	
long-term average value	max. 130 μ A
peak value	max. 300 μ A
Cathode voltage, positive peak value	max. 400 V
Heater voltage	12 V \pm 10%*
Cathode-to-heater voltage	max. 100 V

DEVELOPMENT DATA

* For maximum cathode life it is recommended that the heater supply be regulated at 12 V $\begin{matrix} +0\% \\ -5\% \end{matrix}$.

CIRCUIT DESIGN VALUES

Grid 4 current		
positive	max.	25 μ A
negative	max.	25 μ A
Grid 2 current		
positive	max.	5 μ A
negative	max.	5 μ A

MAXIMUM CIRCUIT VALUES

Resistance between cathode and heater	max.	1,0 M Ω
Impedance between cathode and heater	max.	0,1 M Ω
Grid 1 circuit resistance	max.	1,5 M Ω
Grid 1 circuit impedance	max.	0,5 M Ω

TYPICAL OPERATING CONDITIONS

Cathode drive; voltages specified with respect to grid 1

Anode voltage	12 kV
Grid 4 (focusing electrode) voltage	0 to 300 V*
Grid 2 voltage	400 V
Cathode cut-off voltage	30 to 60 V**

Grid drive; voltages specified with respect to cathode

Anode voltage	12 kV
Grid 4 (focusing electrode) voltage	0 to 300 V*
Grid 2 voltage	400 V
Grid 1 cut-off voltage	34 to 64 V**

RESOLUTION

The resolution is approx. 1300 lines. It is measured at the screen centre:

- with shrinking raster method,
- at light output 68,5 cd/m² (20 foot lambert) and raster dimensions 216 mm x 162 mm,
- at $V_{g2} = 700$ V and anode voltage = 12 kV,
- with phosphor type WW,
- with normal tinted face glass, without anti-glare treatment of screen surface.

X-RADIATION CHARACTERISTIC

X-radiation emitted will not exceed 0,5 mR/h throughout the useful life of the tube, when operated within the given ratings.

* Measured at screen centre on spot at anode current = 250 μ A (peak), anode voltage = 12 kV, grid 2 voltage = 400 V.

Dynamic focus (only for optimization): Typical correction for a video field of H x V = 216 mm x 162 mm:
line parabola 200 V,
field parabola 100 V.

** Visual extinction of focused raster.

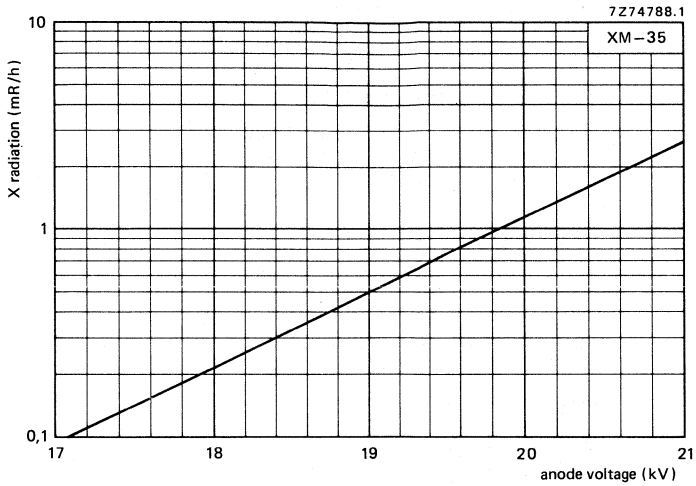


Fig. 1 X-radiation limit curve according to JEDEC 94, at a constant anode current of 250 μ A, measured according to TEPAC103A.

DEVELOPMENT DATA

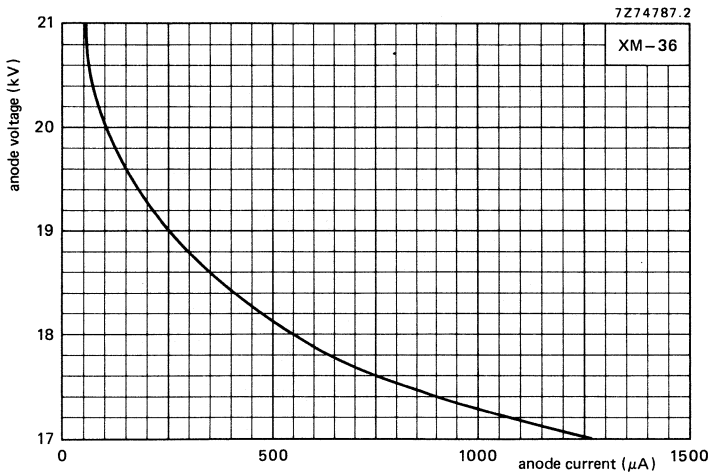


Fig. 2 0,5 mR/h isoexposure-rate limit curve, according to JEDEC94, measured according to TEPAC103A.

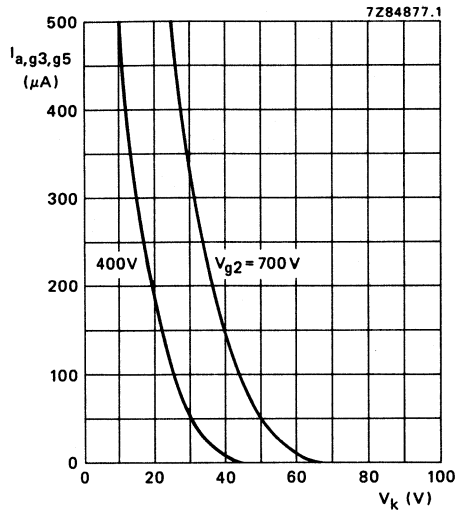


Fig. 3 Anode current as a function of cathode voltage.
Cathode drive; $V_{a,g3,g5} = 12$ kV.

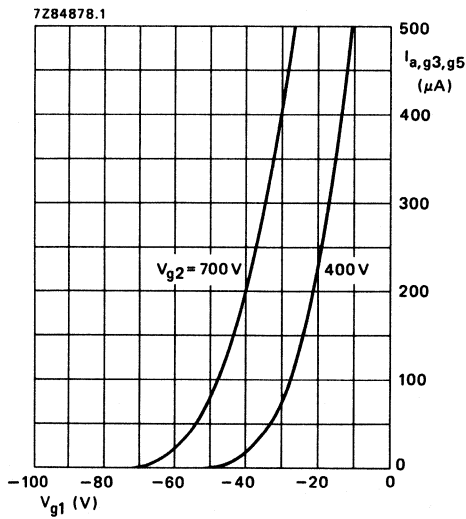


Fig. 4 Anode current as a function of grid 1 voltage.
Grid drive; $V_{a,g3,g5} = 12$ kV.

DEVELOPMENT DATA

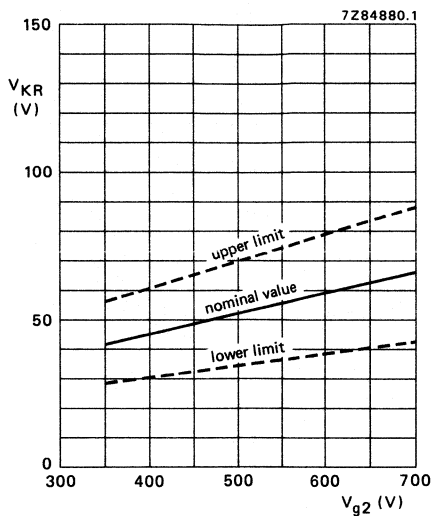


Fig. 5 Limits of cathode cut-off voltage as a function of grid 2 voltage. Cathode drive; $V_{a,g3,g5} = 12 \text{ kV}$.

$$\frac{\Delta V_{KR}}{\Delta V_{a,g3,g5}} = 0,9 \times 10^{-3}$$

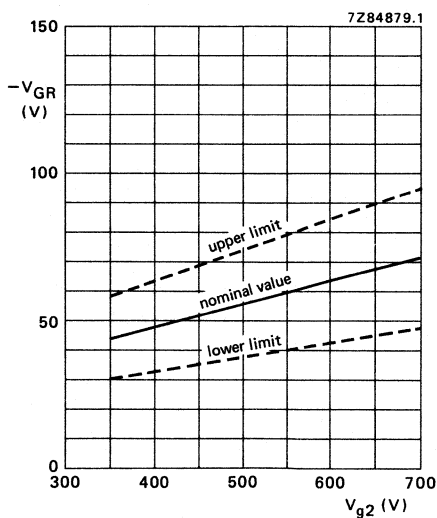


Fig. 6 Limits of grid 1 cut-off voltage as a function of grid 2 voltage. Grid drive; $V_{a,g3,g5} = 12 \text{ kV}$.

$$\frac{\Delta V_{GR}}{\Delta V_{a,g3,g5}} = 0,9 \times 10^{-3}$$

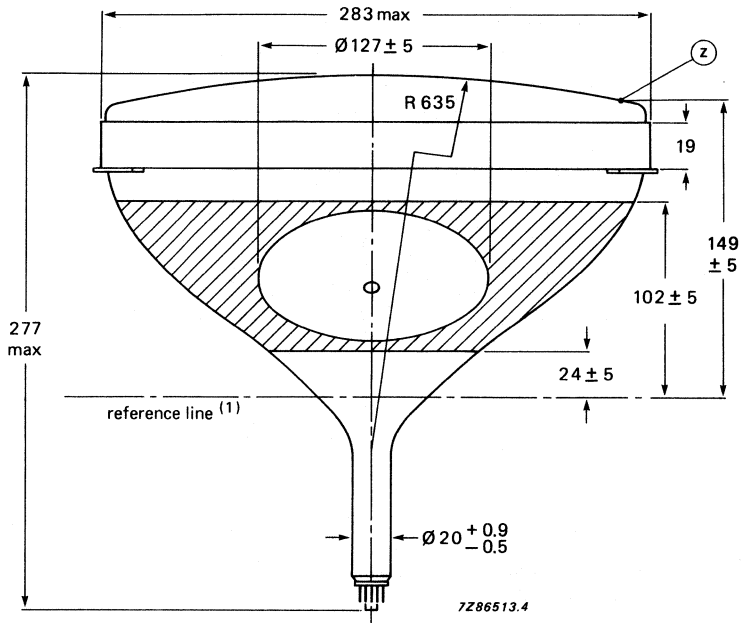


Fig. 7

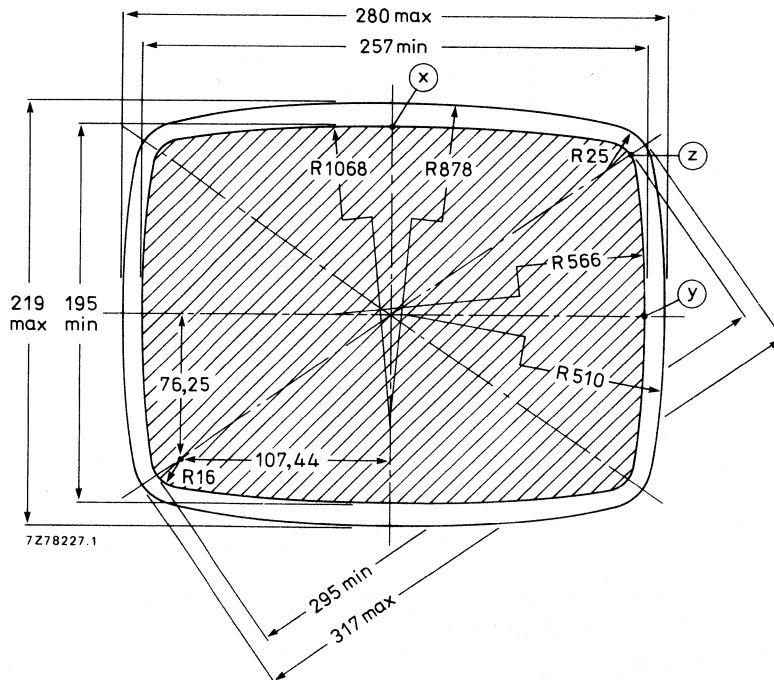


Fig. 8

(1) The reference line is determined by the plane of the upper edge of reference line gauge D when the gauge is resting on the cone.

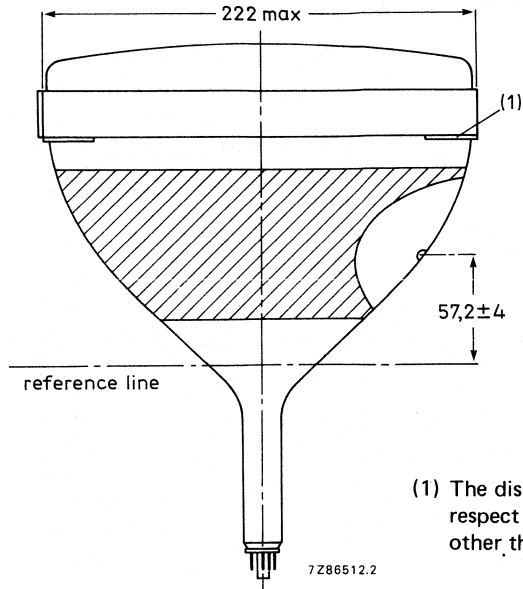


Fig. 9

DEVELOPMENT DATA

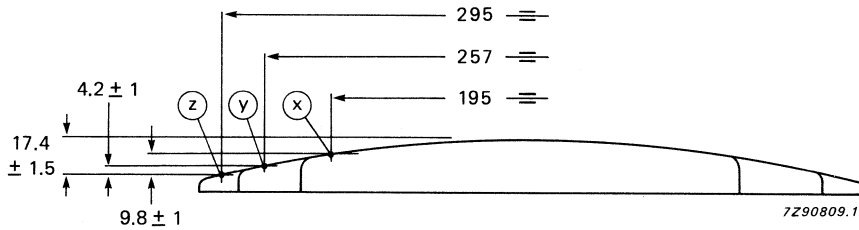


Fig. 10 Screen reference points.

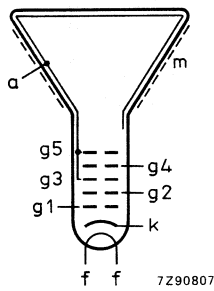


Fig. 11 Electrode configuration.

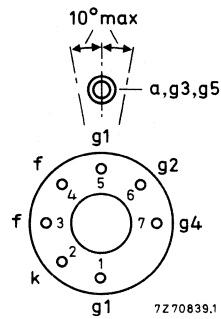


Fig. 12 Pin arrangement.

Front view and lug dimensions of tube

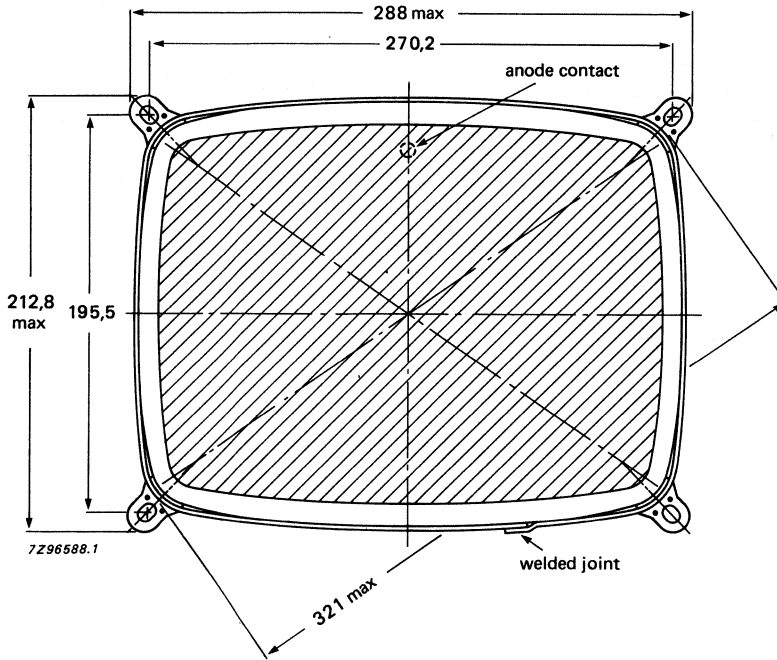


Fig. 13 Tube mounting dimensions; front view.

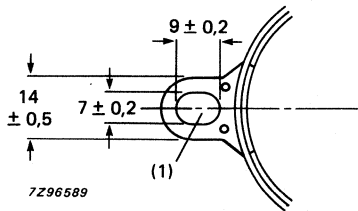


Fig. 14 Lug dimensions.

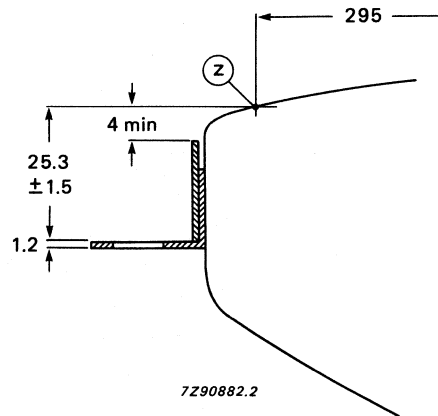


Fig. 15 Lug positior..

(1) The mounting screws in the cabinet must be situated inside a circle of 4 mm diameter drawn around the true geometrical positions i.e. at the corners of a rectangle of 270,2 mm x 195,5 mm.

Maximum cone contour

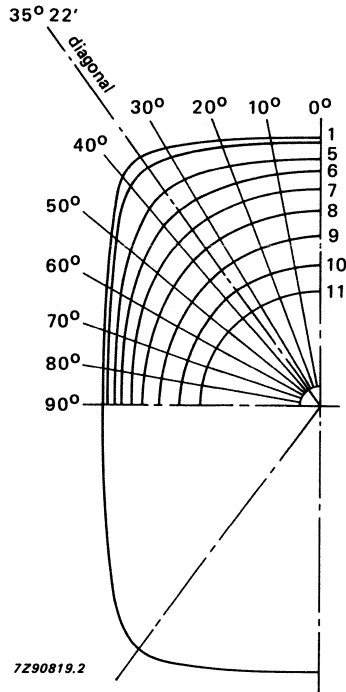
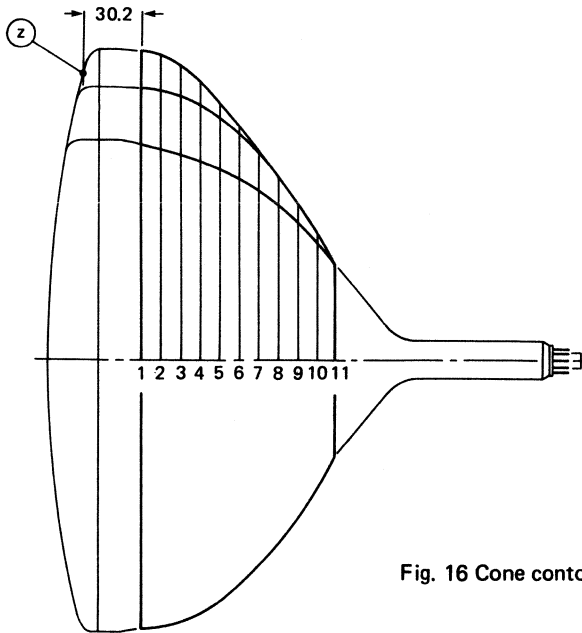


Fig. 16 Cone contour.

7290819.2

DEVELOPMENT DATA

Table 1 Cone contour data

sec- tion	nom. distance from section 1	max. distance from centre										
		0°	10°	20°	30°	diag.	40°	50°	60°	70°	80°	90°
1	0	140,6	142,4	147,9	156,8	160,4	156,9	139,3	126,1	117,5	112,7	111,2
2	10	139,8	141,6	147,0	155,5	158,5	154,4	136,8	123,7	115,2	110,5	109,0
3	20	137,8	139,4	144,4	151,9	153,6	149,5	133,0	120,4	112,3	107,8	106,4
4	30	133,5	135,0	139,3	144,8	145,1	141,6	127,7	116,3	108,7	104,5	103,1
5	40	126,9	128,1	131,3	134,2	133,6	130,9	120,7	110,9	104,2	100,4	99,1
6	50	117,9	118,8	120,9	122,1	121,1	119,2	112,1	104,5	98,7	95,3	94,2
7	60	107,2	107,9	109,1	109,3	108,5	107,1	102,3	96,8	92,1	89,1	88,1
8	70	95,5	95,9	96,4	96,0	95,2	94,2	91,2	87,5	84,1	81,8	80,9
9	80	82,4	82,5	82,4	81,8	81,2	80,5	78,7	76,6	74,5	73,0	72,4
10	90	67,5	67,5	67,2	66,6	66,3	65,9	65,0	64,1	63,2	62,5	62,2
11	99	50,3	50,3	50,3	50,3	50,3	50,3	50,3	50,3	50,3	50,3	50,3

HIGH RESOLUTION MONOCHROME MONITOR TUBES

- For Data Graphic Displays
- 90° deflection angle
- 34 cm (14 in) face diagonal; rectangular glass
- 20 mm neck diameter
- Integral implosion protection

QUICK REFERENCE DATA

Deflection angle	90°
Face diagonal	34 cm (14 in)
Overall length	max. 287 mm
Neck diameter	20 mm
Heating	12 V/130 mA
Quick heating cathode	with a typical tube a legible picture will appear within 5 s
Grid 2 voltage	400 V
Anode voltage	14 kV
Resolution	approx. 1300 lines

APPLICATION

This high resolution tube is for alphanumeric and graphic display applications, such as computer terminals, small business computers, etc.

AVAILABLE VERSIONS

The following versions are available: M32EAA and M32EBF.

The tubes can be supplied with different phosphors and anti-reflective treatments, see "High resolution monochrome monitor tubes, General".

Differences between the tubes can be found under 'Dimensional data'.

ELECTRICAL DATA

Focusing method electrostatic
Deflection method magnetic

Deflection angles
diagonal approx. 90°
horizontal approx. 82°
vertical approx. 67°

Interelectrode capacitances
cathode to all other electrodes max. 4 pF
grid 1 to all other electrodes max. 7 pF

→ Capacitance of external conductive coating to anode* max. 1400 pF
→ min. 800 pF

Capacitance of external conductive coating to anode** max. 1050 pF
min. 450 pF

Capacitance of anode to implosion protection hardware** approx. 150 pF

Heater voltage 12 V

Heater current at 12 V 130 mA

OPTICAL DATA

Phosphor type see "High resolution mono-chrome monitor tubes, General"

Light transmission at screen centre
tube with normal tinted face glass approx. 48%
tube with dark tinted face glass approx. 34%

RASTER CENTRING

The field intensity perpendicular to the tube axis should be adjustable from 0 to 800 A/m. For optimum overall sharpness it is recommended to centre the raster electrically via the deflection coils.

* Implosion protection hardware connected to external conductive coating.

** Implosion protection hardware not connected to external conductive coating.

MECHANICAL DATA (see also the figures under Dimensional Data)

Overall length	max. 287 mm
Greatest dimensions of tube	
diagonal	350 mm
width	298 mm
height	240 mm
Minimum useful screen dimensions (projected)	
diagonal	322 mm
horizontal axis	270 mm
vertical axis	210 mm
area	554 cm ²
Implosion protection	T-band/rimband
Bulb	EIAJ-JB340AB03 or EIAJ-JB340AD04
Bulb contact designation	IEC 67-III-2, EIAJ1-21
Base designation	EIA-E7-91
Basing	7GR
Mass	approx. 3,6 kg

RATINGS (Absolute Maximum System)

Unless otherwise specified voltage values are positive and measured with respect to grid 1.

Anode voltage	max. 16 kV min. 10 kV
Grid 4 (focusing electrode) voltage	-200 to + 1000 V
Grid 2 voltage	max. 700 V
Anode current	
long-term average value	max. 130 μ A
peak value	max. 300 μ A
Cathode voltage, positive peak value	max. 400 V
Heater voltage	12 V \pm 10%*
Cathode-to-heater voltage	max. 100 V

* For maximum cathode life it is recommended that the heater supply be regulated at 12 V $\begin{matrix} +0\% \\ -5\% \end{matrix}$.

CIRCUIT DESIGN VALUES

Grid 4 current		
positive	max.	25 μ A
negative	max.	25 μ A
Grid 2 current		
positive	max.	5 μ A
negative	max.	5 μ A

MAXIMUM CIRCUIT VALUES

Resistance between cathode and heater	max.	1 M Ω
Impedance between cathode and heater	max.	0,1 M Ω
Grid 1 circuit resistance	max.	1,5 M Ω
Grid 1 circuit impedance	max.	0,5 M Ω

TYPICAL OPERATING CONDITIONS

Cathode drive; voltages specified with respect to grid 1

Anode voltage	14 kV
Grid 4 (focusing electrode) voltage	0 to 300 V*
Grid 2 voltage	400 V
Cathode cut-off voltage	32 to 64 V**

Grid drive; voltages specified with respect to cathode

Anode voltage	14 kV
Grid 4 (focusing electrode) voltage	0 to 300 V*
Grid 2 voltage	400 V
Grid 1 cut-off voltage	35 to 70 V**

RESOLUTION

The resolution is approx. 1300 lines. It is measured at the screen centre:

- with shrinking raster method,
- at light output 68,5 cd/m² (20 foot lambert) and raster dimensions 237 mm x 178 mm,
- at $V_{g2} = 700$ V and anode voltage = 14 kV,
- with phosphor type WW,
- with normal tinted face glass, without anti-glare treatment of screen surface.

X-RADIATION CHARACTERISTIC

X-radiation emitted will not exceed 0,5 mR/h throughout the useful life of the tube, when operated within the given ratings.

* Measured at screen centre on spot at anode current = 250 μ A (peak), anode voltage = 14 kV, grid 2 voltage = 400 V.

Dynamic focus (only for optimization): Typical correction for a video field of H x V = 237 mm x 178 mm:
line parabola 200 V,
field parabola 100 V.

** Visual extinction of focused raster.

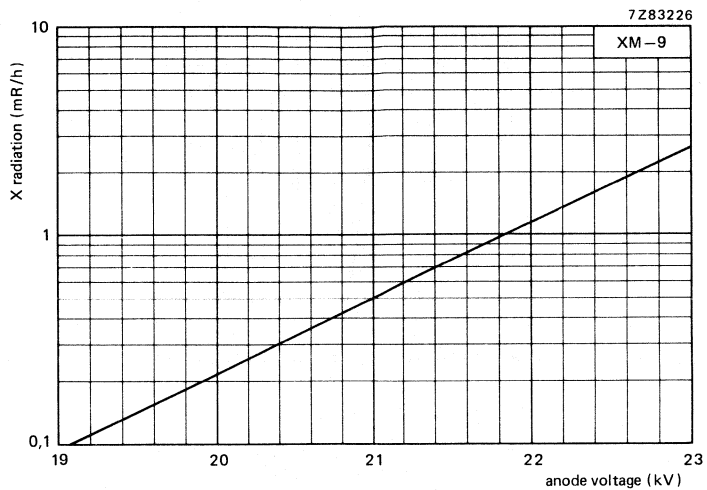


Fig. 1 X-radiation limit curve according to JEDEC94, at a constant anode current of 250 μ A, measured according to TEPAC103A.

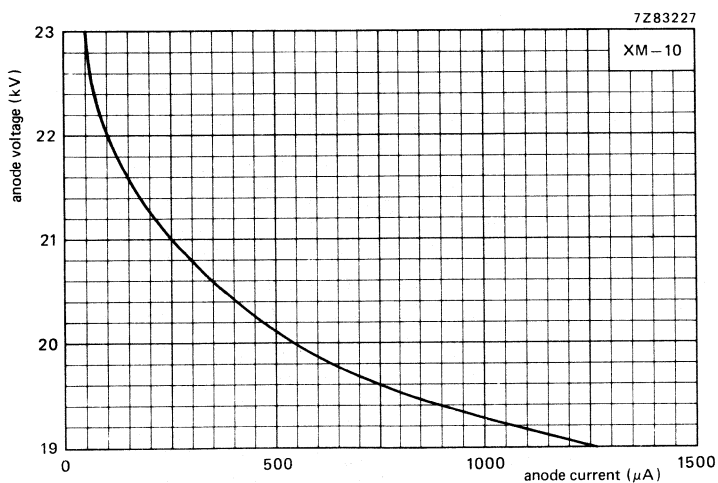


Fig. 2 0,5 mR/h isosexposure-rate limit curve, according to JEDEC94, measured according to TEPAC103A.

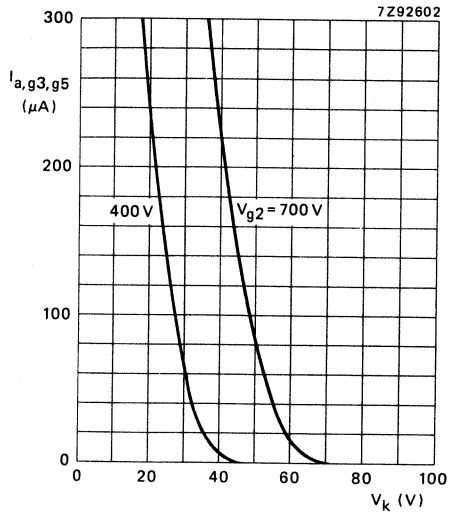


Fig. 3 Anode current as a function of cathode voltage.
Cathode drive; $V_{a,g3,g5} = 14\text{ kV}$.

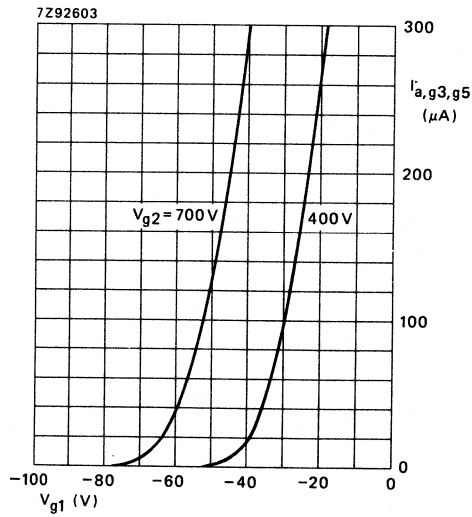


Fig. 4 Anode current as a function of grid 1 voltage.
Grid drive; $V_{a,g3,g5} = 14\text{ kV}$.

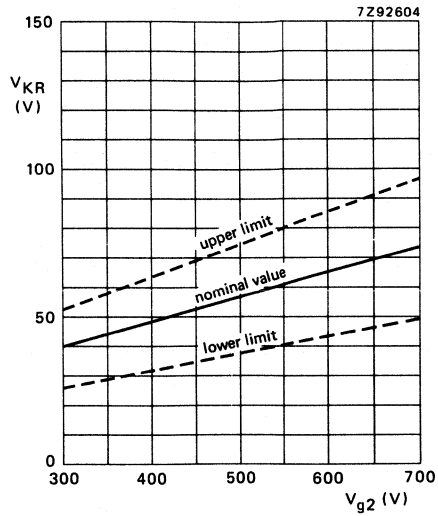


Fig. 5 Limits of cathode cut-off voltage as a function of grid 2 voltage. Cathode drive; $V_{a,g3,g5} = 14$ kV.

$$\frac{\Delta V_{KR}}{\Delta V_{a,g3,g5}} = 0,9 \times 10^{-3}$$

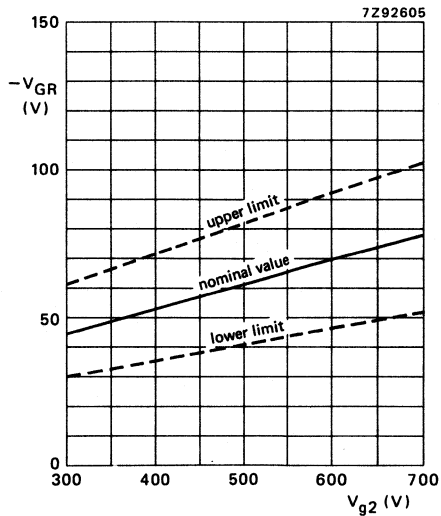


Fig. 6 Limits of grid 1 cut-off voltage as a function of grid 2 voltage. Grid drive; $V_{a,g3,g5} = 14$ kV.

$$\frac{\Delta V_{GR}}{\Delta V_{a,g3,g5}} = 0,9 \times 10^{-3}$$

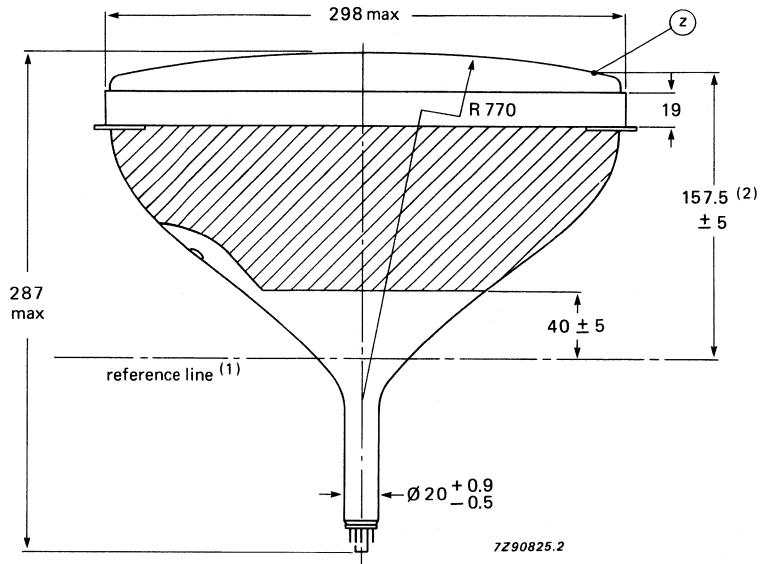


Fig. 7

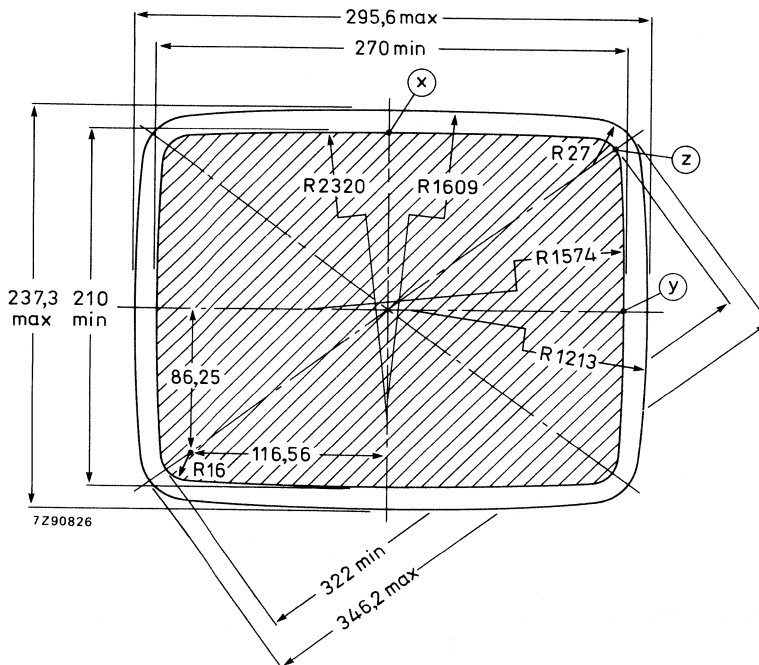


Fig. 8

- (1) The reference line is determined by the plane of the upper edge of reference line gauge D when the gauge is resting on the cone.
 (2) If NEG type, this value changes to; $159,6 \pm 5$.

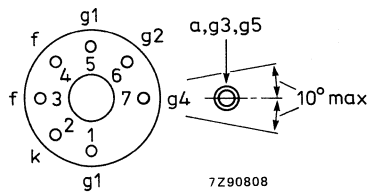
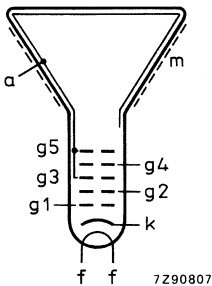
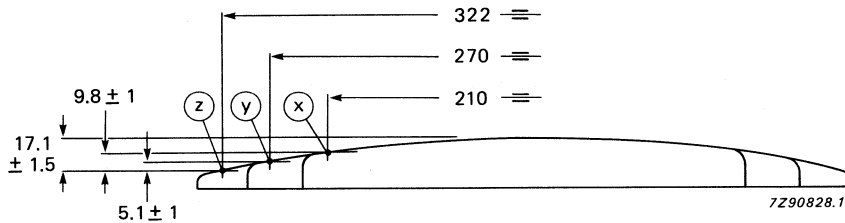
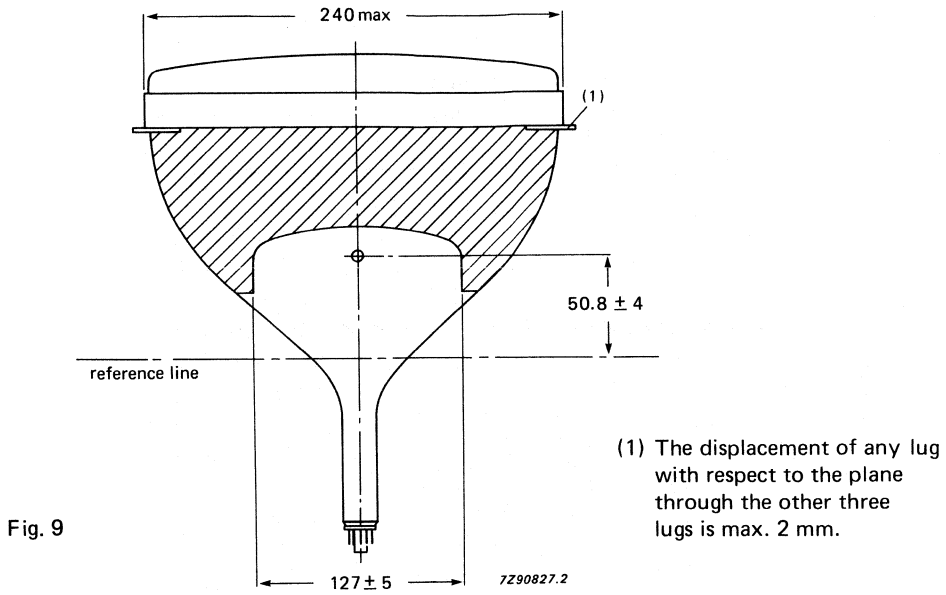


Fig. 11 Electrode configuration.

Fig. 12 Pin arrangement.

Front view and lug dimensions of tube M32EAA

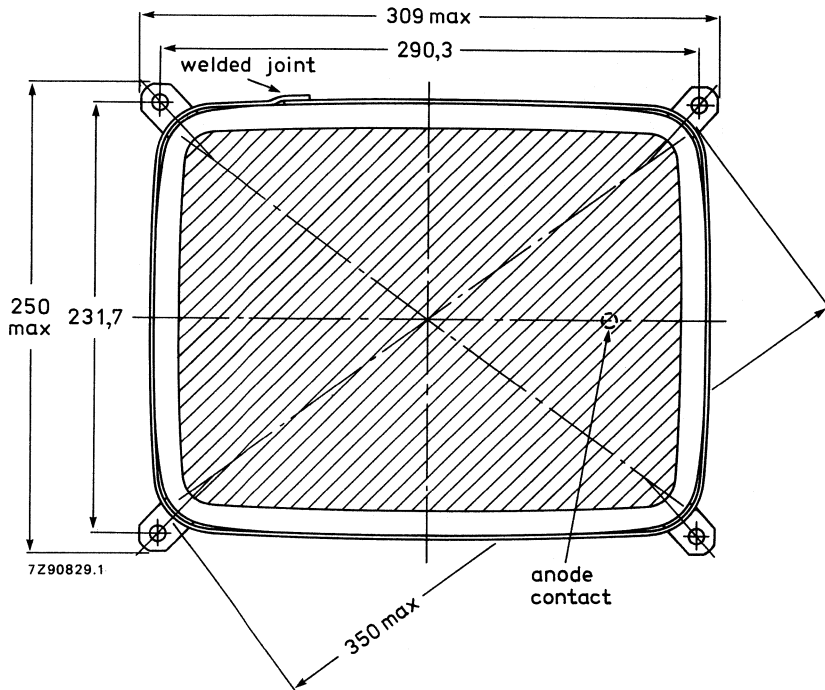


Fig. 13 Tube mounting dimensions; front view.

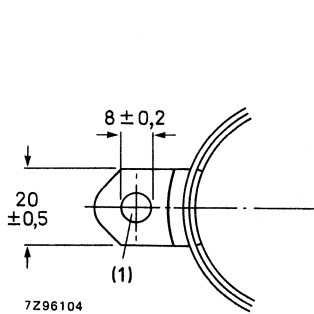


Fig. 14 Lug dimensions.

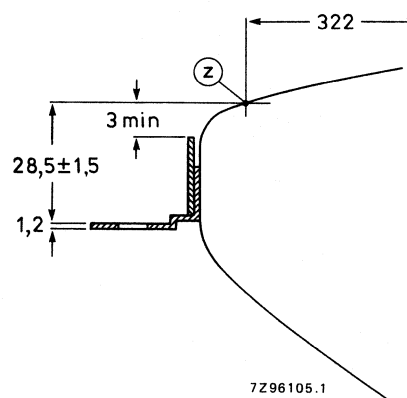


Fig. 15 Lug position.

(1) The mounting screws in the cabinet must be situated inside a circle of 4 mm diameter drawn around the true geometrical positions i.e. at the corners of a rectangle of 290,3 mm x 231,7 mm.

Front view and lug dimensions of tube M32EBF *

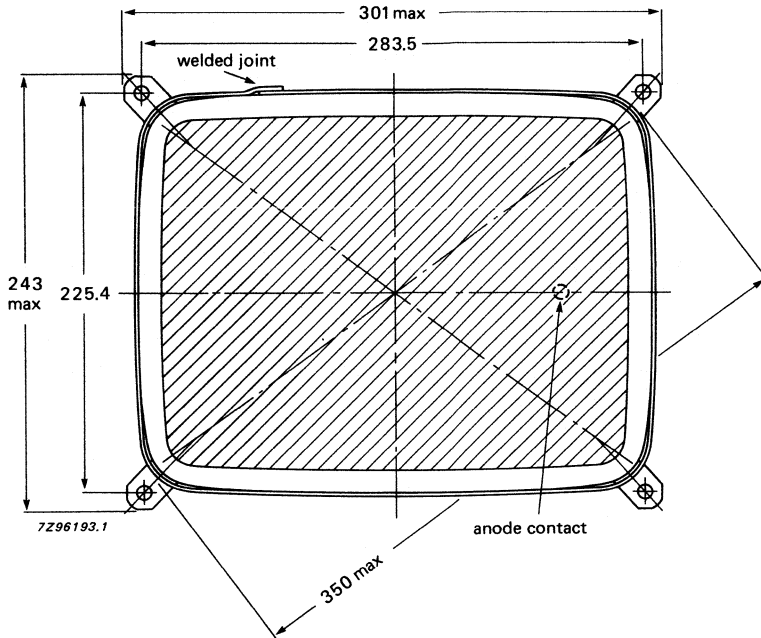


Fig. 16 Tube mounting dimensions; front view.

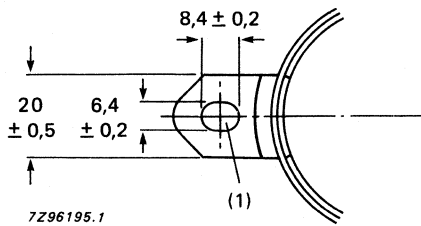


Fig. 17 Lug dimensions.

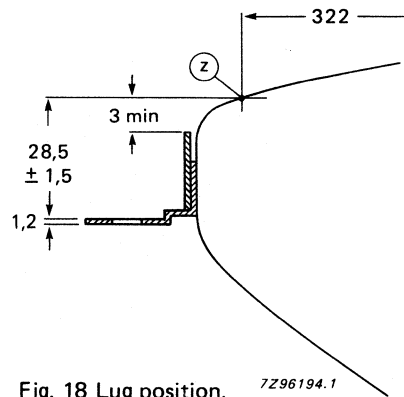


Fig. 18 Lug position.

(1) The mounting screws in the cabinet must be situated inside a circle of 3,4 mm diameter drawn around the true geometrical positions i.e. at the corners of a rectangle of 283,5 mm x 225,4 mm.

* This tube is still under development; data are provisional.

Maximum cone contour

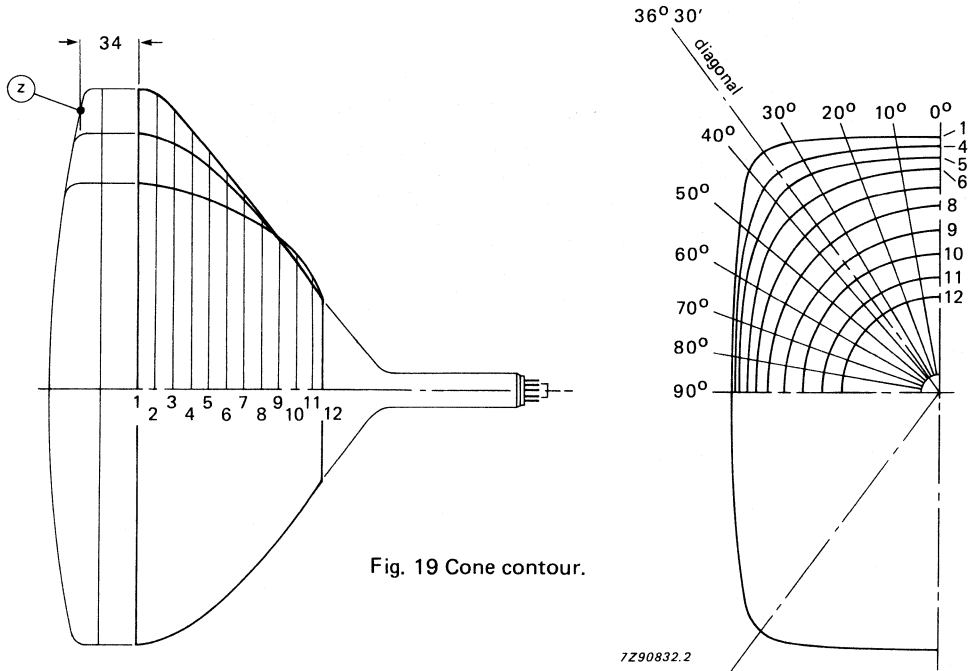


Fig. 19 Cone contour.

Table 1 Cone contour data

sec- tion	nom. distance from section 1	max. distance from centre										
		0°	10°	20°	30°	diag.	40°	50°	60°	70°	80°	90°
1	0	148,0	150,1	156,5	167,9	173,6	172,0	152,3	136,3	126,5	121,1	119,4
2	10	146,1	148,2	154,6	165,4	171,0	169,6	150,9	135,2	125,4	120,1	118,4
3	20	142,4	144,3	150,1	158,4	161,6	160,4	146,3	132,0	122,8	117,7	116,1
4	30	136,7	138,4	143,1	148,8	150,2	149,2	139,4	127,6	119,2	114,5	113,0
5	40	128,9	130,3	133,9	137,6	138,3	137,6	131,2	122,2	115,0	110,7	109,3
6	50	119,5	120,6	123,2	125,7	126,2	125,8	122,0	115,8	110,0	106,3	105,1
7	60	109,2	110,1	111,8	113,5	113,9	113,8	111,9	108,1	104,1	101,1	100,1
8	70	98,7	99,2	100,2	101,2	101,5	101,6	100,9	99,1	96,8	94,9	94,1
9	80	87,6	87,7	88,1	88,6	88,9	89,0	89,0	88,6	87,8	86,9	86,4
10	90	75,5	75,4	75,4	75,6	75,7	75,8	76,1	76,3	76,3	76,2	76,1
11	100	62,0	62,0	61,8	61,8	61,8	61,9	62,0	62,2	62,4	62,5	62,5
12	105,7	51,5	51,5	51,5	51,5	51,5	51,5	51,5	51,5	51,5	51,5	51,5

HIGH RESOLUTION MONOCHROME MONITOR TUBES

- For Data Graphic Displays
- 90° deflection angle
- 34 cm (14 in) face diagonal; rectangular glass
- 20 mm neck diameter
- Integral implosion protection

QUICK REFERENCE DATA

Deflection angle	90°
Face diagonal	34 cm (14 in)
Overall length	max. 287 mm
Neck diameter	20 mm
Heating	12 V/75 mA
Grid 2 voltage	400 V
Anode voltage	14 kV
Resolution	approx. 1300 lines

APPLICATION

These high resolution tubes are for alphanumeric and graphic display applications, such as computer terminals, small business computers, etc.

AVAILABLE VERSIONS

The following versions are available: M32EAB and M32EAK.

The tubes can be supplied with different phosphors and anti-reflective treatments, see "High resolution monochrome monitor tubes, General".

Differences between the tubes can be found under 'Dimensional Data'.

ELECTRICAL DATA

Focusing method	electrostatic
Deflection method	magnetic
Deflection angles	
diagonal	approx. 90°
horizontal	approx. 82°
vertical	approx. 67°
Interelectrode capacitances	
cathode to all other electrodes	max. 4 pF
grid 1 to all other electrodes	max. 7 pF
→ Capacitance of external conductive coating to anode*	max. 1400 pF min. 800 pF
→ Capacitance of external conductive coating to anode**	max. 1050 pF min. 450 pF
Capacitance of anode to implosion protection hardware**	approx. 150 pF
Heater voltage	12 V
Heater current at 12 V	75 mA

OPTICAL DATA

Phosphor type	see "High resolution mono-chrome monitor tubes, General"
Light transmission at screen centre	
tube with normal tinted face glass	approx. 48%
tube with dark tinted face glass	approx. 34%

RASTER CENTRING

The field intensity perpendicular to the tube axis should be adjustable from 0 to 800 A/m. For optimum overall sharpness it is recommended to centre the raster electrically via the deflection coils.

* Implosion protection hardware connected to external conductive coating.

** Implosion protection hardware not connected to external conductive coating.

MECHANICAL DATA (see also the figures under Dimensional Data)

Overall length	max. 287 mm
Greatest dimensions of tube	
diagonal	350 mm
width	298 mm
height	240 mm
Minimum useful screen dimensions (projected)	
diagonal	322 mm
horizontal axis	270 mm
vertical axis	210 mm
area	554 cm ²
Implosion protection	T-band/rimband
Bulb	EIAJ-JB340AB03 or EIAJ-JB340AD04
Bulb contact designation	IEC 67-III-2, EIAJ1-21
Base designation	EIA-E7-91
Basing	7GR
Mass	approx. 3,6 kg

RATINGS (Absolute Maximum System)

Unless otherwise specified voltage values are positive and measured with respect to grid 1.

Anode voltage	max. 16 kV min. 10 kV
Grid 4 (focusing electrode) voltage	-200 to +1000 V
Grid 2 voltage	max. 700 V
Anode current	
long-term average value	max. 130 μ A
peak value	max. 300 μ A
Cathode voltage, positive peak value	max. 400 V
Heater voltage	12 V \pm 10%*
Cathode-to-heater voltage	max. 100 V

* For maximum cathode life it is recommended that the heater supply be regulated at 12 V $\begin{matrix} +0\% \\ -5\% \end{matrix}$.

CIRCUIT DESIGN VALUES

Grid 4 current	
positive	max. 25 μ A
negative	max. 25 μ A
Grid 2 current	
positive	max. 5 μ A
negative	max. 5 μ A

MAXIMUM CIRCUIT VALUES

Resistance between cathode and heater	max. 1 M Ω
Impedance between cathode and heater	max. 0,1 M Ω
Grid 1 circuit resistance	max. 1,5 M Ω
Grid 1 circuit impedance	max. 0,5 M Ω

TYPICAL OPERATING CONDITIONS

Cathode drive; voltages specified with respect to grid 1

Anode voltage	14 kV
Grid 4 (focusing electrode) voltage	0 to 300 V*
Grid 2 voltage	400 V
Cathode cut-off voltage	32 to 64 V**

Grid drive; voltages specified with respect to cathode

Anode voltage	14 kV
Grid 4 (focusing electrode) voltage	0 to 300 V*
Grid 2 voltage	400 V
Grid 1 cut-off voltage	35 to 70 V**

RESOLUTION

The resolution is approx. 1300 lines. It is measured at the screen centre:

- with shrinking raster method,
- at light output 68,5 cd/m² (20 foot lambert) and raster dimensions 237 mm x 178 mm,
- at $V_{g2} = 700$ V and anode voltage = 14 kV,
- with phosphor type WW,
- with normal tinted face glass, without anti-glare treatment of screen surface.

X-RADIATION CHARACTERISTIC

X-radiation emitted will not exceed 0,5 mR/h throughout the useful life of the tube, when operated within the given ratings.

* Measured at screen centre on spot at anode current = 250 μ A (peak), anode voltage = 14 kV, grid 2 voltage = 400 V.

Dynamic focus (only for optimization): Typical correction for a video field of H x V = 237 mm x 178 mm:
line parabola 200 V,
field parabola 100 V.

** Visual extinction of focused raster.

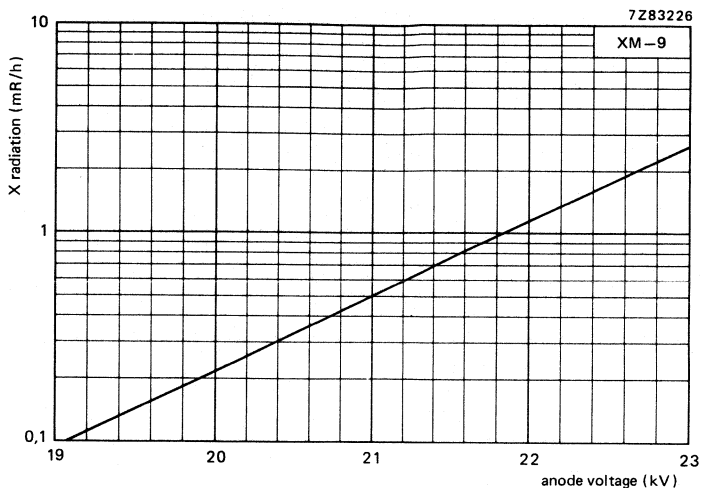


Fig. 1 X-radiation limit curve according to JEDEC94, at a constant anode current of 250 μ A, measured according to TEPAC103A.

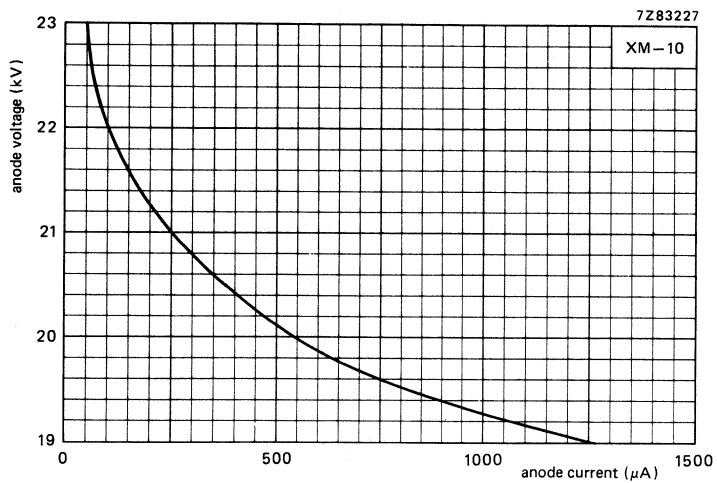


Fig. 2 0,5 mR/h isoexposure-rate limit curve, according to JEDEC94, measured according to TEPAC103A.

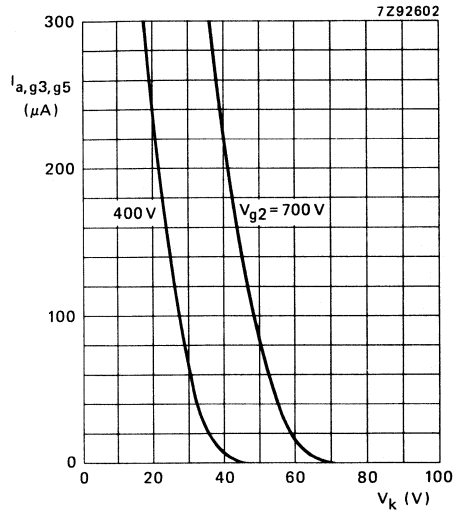


Fig. 3 Anode current as a function of cathode voltage.
Cathode drive; $V_{a,g3,g5} = 14$ kV.

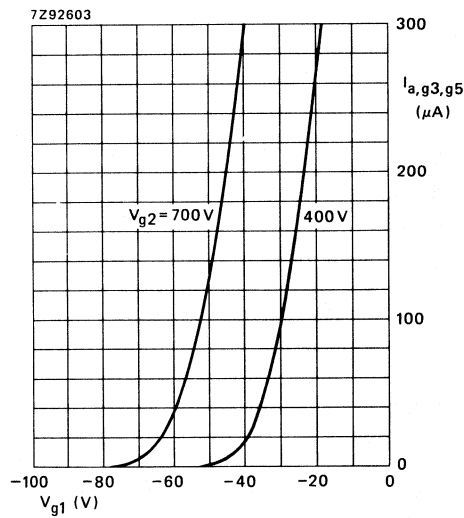


Fig. 4 Anode current as a function of grid 1 voltage.
Grid drive; $V_{a,g3,g5} = 14$ kV.

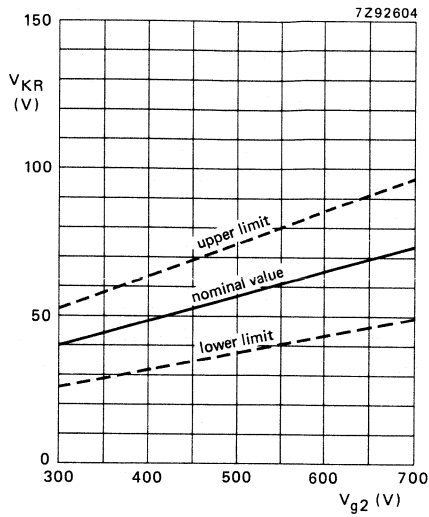


Fig. 5 Limits of cathode cut-off voltage as a function of grid 2 voltage.
Cathode drive; $V_{a,g3,g5} = 14 \text{ kV}$.

$$\frac{\Delta V_{KR}}{\Delta V_{a,g3,g5}} = 0,9 \times 10^{-3}$$

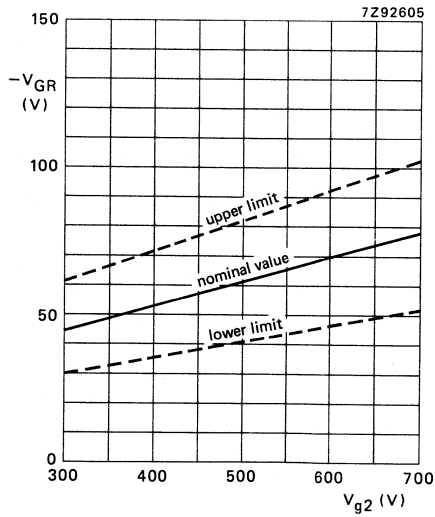
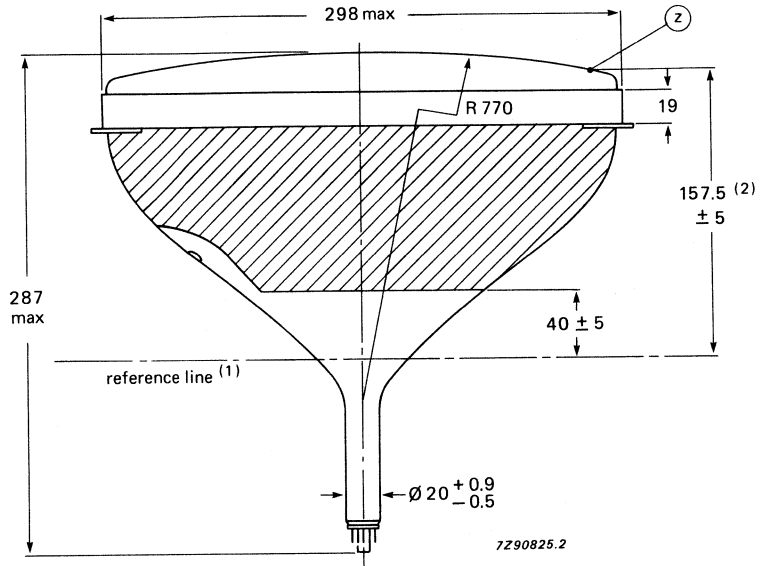


Fig. 6 Limits of grid 1 cut-off voltage as a function of grid 2 voltage.
Grid drive; $V_{a,g3,g5} = 14 \text{ kV}$.

$$\frac{\Delta V_{GR}}{\Delta V_{a,g3,g5}} = 0,9 \times 10^{-3}$$

DIMENSIONAL DATA

Dimensions in mm



→ Fig. 7

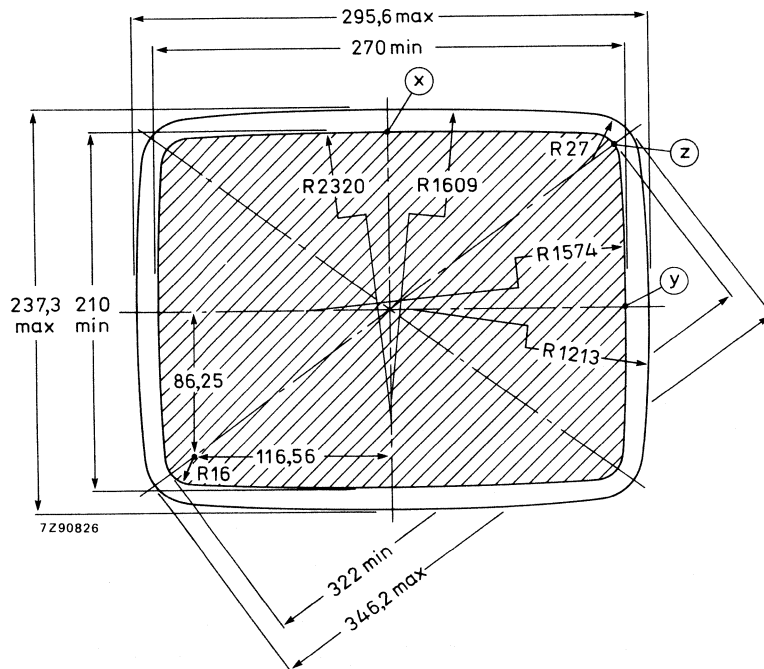


Fig. 8

(1) The reference line is determined by the plane of the upper edge of reference line gauge D when the gauge is resting on the cone.

(2) If NEG type, this value changes to; $159,6 \pm 5$.

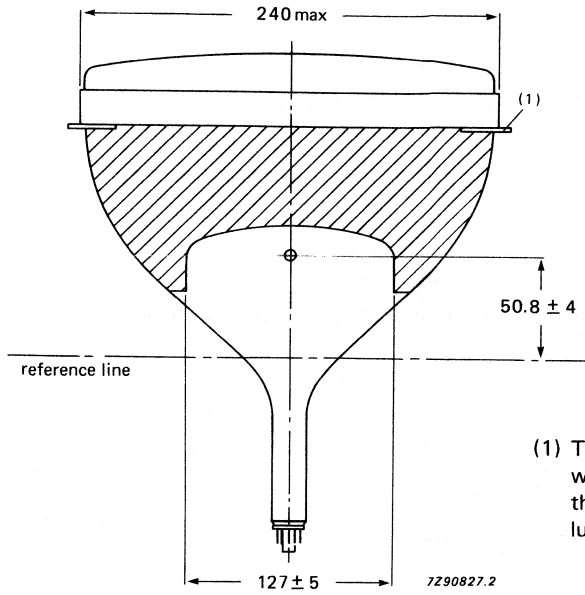


Fig. 9

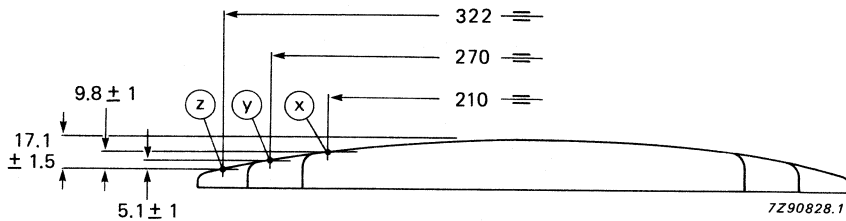


Fig. 10 Screen reference points.

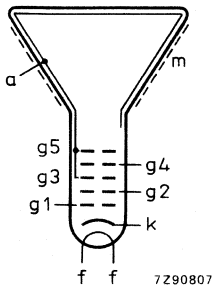


Fig. 11 Electrode configuration.

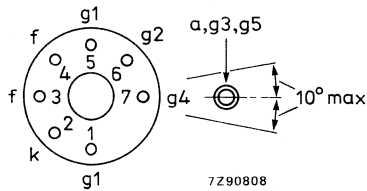


Fig. 12 Pin arrangement.

Front view of tube M32EAB

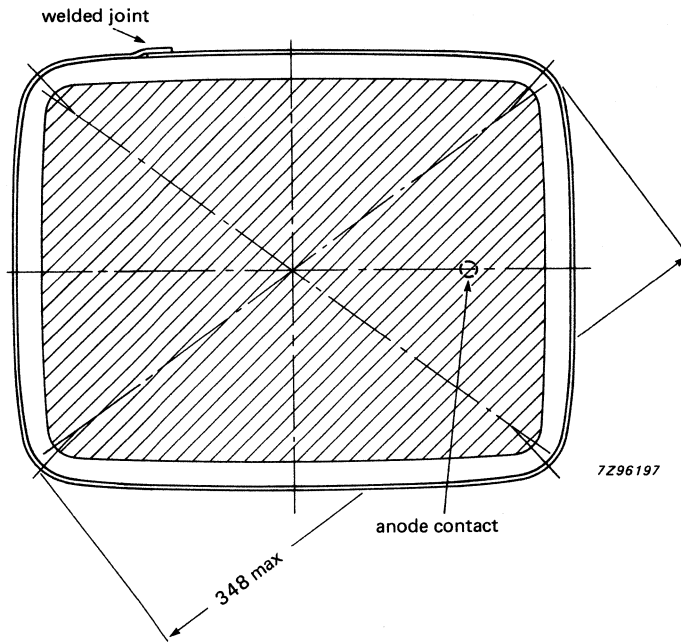


Fig. 13 Tube front view with rimband.

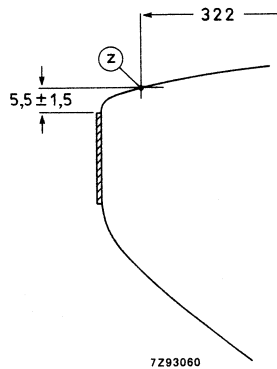


Fig. 14 Rimband position.

Front view and lug dimensions of tube M32EAK

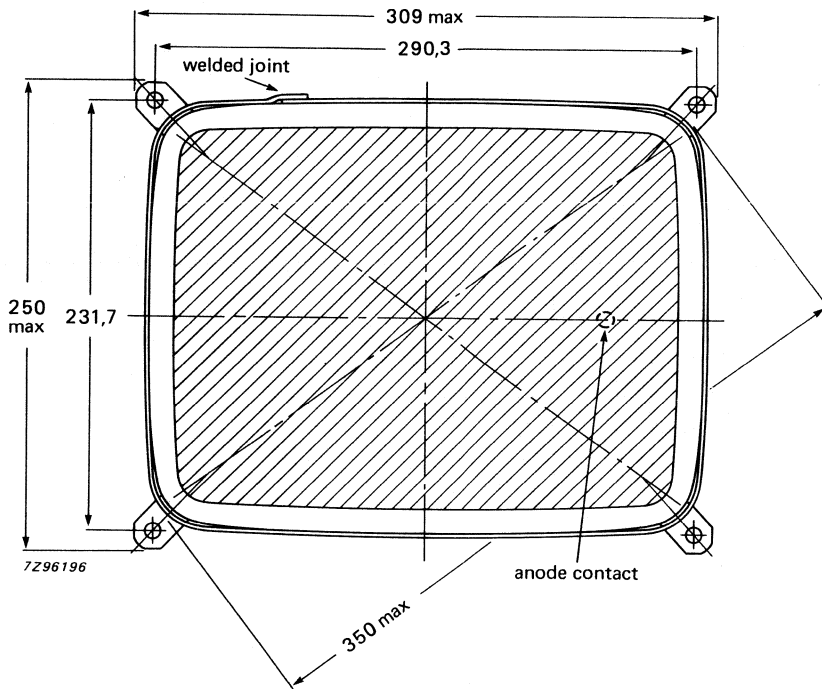


Fig. 15 Tube mounting dimensions; front view.

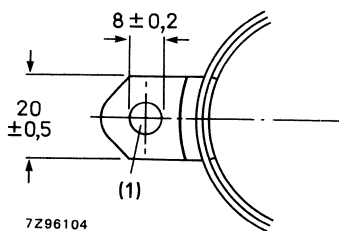


Fig. 16 Lug dimensions.

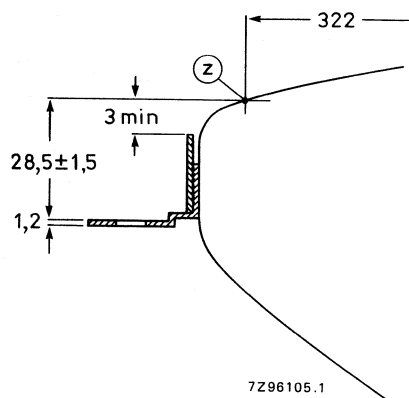


Fig. 17 Lug position.

(1) The mounting screws in the cabinet must be situated inside a circle of 5 mm diameter drawn around the true geometrical positions i.e. at the corners of a rectangle of 290,3 mm x 231,7 mm.

Maximum cone contour

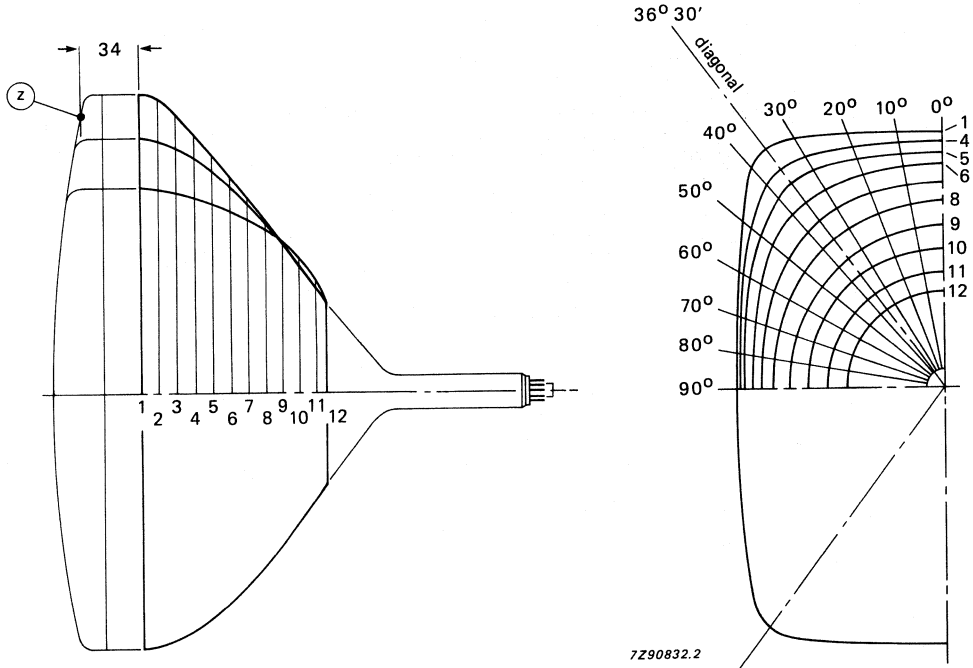


Fig. 18 Cone contour.

Table 1 Cone contour data

sec- tion	nom. distance from section 1	max. distance from centre										
		0°	10°	20°	30°	diag.	40°	50°	60°	70°	80°	90°
1	0	148,0	150,1	156,5	167,9	173,6	172,0	152,3	136,3	126,5	121,1	119,4
2	10	146,1	148,2	154,6	165,4	171,0	169,6	150,9	135,2	125,4	120,1	118,4
3	20	142,4	144,3	150,1	158,4	161,6	160,4	146,3	132,0	122,8	117,7	116,1
4	30	136,7	138,4	143,1	148,8	150,2	149,2	139,4	127,6	119,2	114,5	113,0
5	40	128,9	130,3	133,9	137,6	138,3	137,6	131,2	122,2	115,0	110,7	109,3
6	50	119,5	120,6	123,2	125,7	126,2	125,8	122,0	115,8	110,0	106,3	105,1
7	60	109,2	110,1	111,8	113,5	113,9	113,8	111,9	108,1	104,1	101,1	100,1
8	70	98,7	99,2	100,2	101,2	101,5	101,6	100,9	99,1	96,8	94,9	94,1
9	80	87,6	87,7	88,1	88,6	88,9	89,0	89,0	88,6	87,8	86,9	86,4
10	90	75,5	75,4	75,4	75,6	75,7	75,8	76,1	76,3	76,3	76,2	76,1
11	100	62,0	62,0	61,8	61,8	61,8	61,9	62,0	62,2	62,4	62,5	62,5
12	105,7	51,5	51,5	51,5	51,5	51,5	51,5	51,5	51,5	51,5	51,5	51,5

FLAT HIGH RESOLUTION MONOCHROME MONITOR TUBES

- For Data Graphic Displays
- 90° deflection angle
- 34 cm (14 in) face diagonal; rectangular glass
- 1520 mm radius of screen curvature
- 20 mm neck diameter
- Integral implosion protection

QUICK REFERENCE DATA

Deflection angle	90°
Face diagonal	34 cm (14 in)
Overall length	max. 282 mm
Neck diameter	20 mm
Heating	12 V/130 mA
Quick heating cathode	with a typical tube a legible picture will appear within 5 s
Grid 2 voltage	400 V
Anode voltage	14 kV
Resolution	approx. 1300 lines

APPLICATION

This high resolution tube is for alpha-numeric and graphic display applications, such as computer terminals, small business computers, etc.

AVAILABLE VERSIONS

The following versions are available: M32EBJ and M32EBL.

The tubes can be supplied with different phosphors and anti-reflective treatments, see "High resolution monochrome monitor tubes, General".

Differences between the tubes can be found under 'Dimensional data'.

ELECTRICAL DATA

Focusing method	electrostatic
Deflection method	magnetic
Deflection angles	
diagonal	approx. 90°
horizontal	approx. 79°
vertical	approx. 65°
Interelectrode capacitances	
cathode to all other electrodes	max. 4 pF
grid 1 to all other electrodes	max. 7 pF
→ Capacitance of external conductive coating to anode*	max. 1400 pF min. 800 pF
→ Capacitance of external conductive coating to anode**	max. 1050 pF min. 450 pF
Capacitance of anode to implosion protection hardware**	approx. 150 pF
Heater voltage	12 V
Heater current at 12 V	130 mA

OPTICAL DATA

Phosphor type	see "High resolution mono-chrome monitor tubes, General"
Light transmission at screen centre	
tube with normal tinted face glass	approx. 42%
tube with dark tinted face glass	approx. 30%

RASTER CENTRING

The field intensity perpendicular to the tube axis should be adjustable from 0 to 800 A/m. For optimum overall sharpness it is recommended to centre the raster electrically via the deflection coils.

* Implosion protection hardware connected to external conductive coating.

** Implosion protection hardware not connected to external conductive coating.

MECHANICAL DATA (see also the figures under Dimensional Data)

Overall length	max. 282 mm
Greatest dimensions of tube	
diagonal	348,5 mm
width	298 mm
height	240 mm
Minimum useful screen dimensions (projected)	
diagonal	320 mm
horizontal axis	269 mm
vertical axis	210 mm
area	554 cm ²
Implosion protection	T-band/rimband
Bulb	EIAJ-JB340AH03 or EIAJ-JB340AH04
Bulb contact designation	IEC 67-III-2, EIAJ1-21
Base designation	EIA-E7-91
Basing	7GR
Mass	approx. 3,9 kg

RATINGS (Absolute Maximum System)

Unless otherwise specified voltage values are positive and measured with respect to grid 1.

Anode voltage	max. 16 kV min. 10 kV
Grid 4 (focusing electrode) voltage	-200 to + 1000 V
Grid 2 voltage	max. 700 V
Anode current	
long-term average value	max. 130 μ A
peak value	max. 300 μ A
Cathode voltage, positive peak value	max. 400 V
Heater voltage	12 V \pm 10%*
Cathode-to-heater voltage	max. 100 V

* For maximum cathode life it is recommended that the heater supply be regulated at 12 V $\begin{matrix} +0\% \\ -5\% \end{matrix}$.

CIRCUIT DESIGN VALUES

Grid 4 current	
positive	max. 25 μ A
negative	max. 25 μ A
Grid 2 current	
positive	max. 5 μ A
negative	max. 5 μ A

MAXIMUM CIRCUIT VALUES

Resistance between cathode and heater	max. 1 Ω
Impedance between cathode and heater	max. 0,1 Ω
Grid 1 circuit resistance	max. 1,5 Ω
Grid 1 circuit impedance	max. 0,5 Ω

TYPICAL OPERATING CONDITIONS

Cathode drive; voltages specified with respect to grid 1

Anode voltage	14 kV
Grid 4 (focusing electrode) voltage	0 to 300 V*
Grid 2 voltage	400 V
Cathode cut-off voltage	32 to 64 V**

Grid drive; voltages specified with respect to cathode

Anode voltage	14 kV
Grid 4 (focusing electrode) voltage	0 to 300 V*
Grid 2 voltage	400 V
Grid 1 cut-off voltage	35 to 70 V**

RESOLUTION

The resolution is approx. 1300 lines. It is measured at the screen centre:

- with shrinking raster method,
- at light output 68,5 cd/m² (20 foot lambert) and raster dimensions 237 mm x 178 mm,
- at $V_{g2} = 700$ V and anode voltage = 14 kV,
- with phosphor type WW,
- with normal tinted face glass, without anti-glare treatment of screen surface.

X-RADIATION CHARACTERISTIC

X-radiation emitted will not exceed 0,5 mR/h throughout the useful life of the tube, when operated within the given ratings.

* Measured at screen centre on spot at anode current = 250 μ A (peak), anode voltage = 14 kV, grid 2 voltage = 400 V.

Dynamic focus (only for optimization): Typical correction for a video field of H x V = 237 mm x 178 mm:
line parabola 200 V,
field parabola 100 V.

** Visual extinction of focused raster.

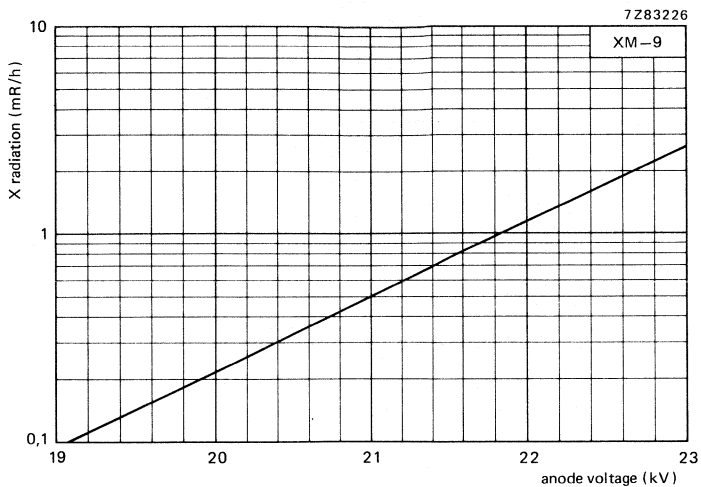


Fig.1 X-radiation limit curve according to JEDEC94, at a constant anode current of 250 μ A, measured according to TEPAC103A.

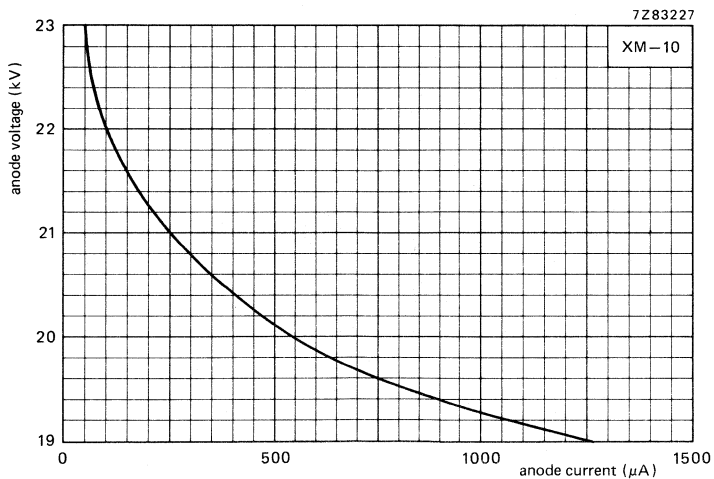


Fig.2 0,5 mR/h isoexposure-rate limit curve, according to JEDEC94, measured according to TEPAC103A.

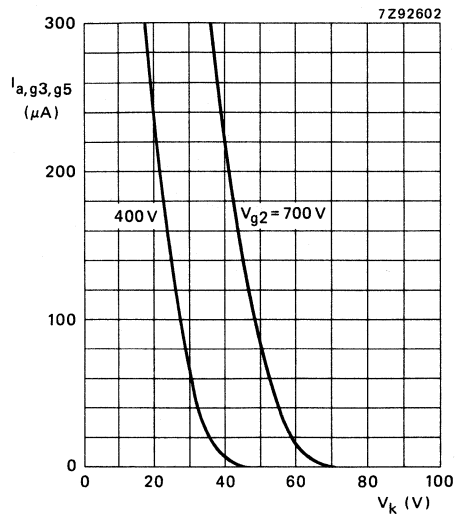


Fig.3 Anode current as a function of cathode voltage.
Cathode drive; $V_{a,g3,g5} = 14$ kV.

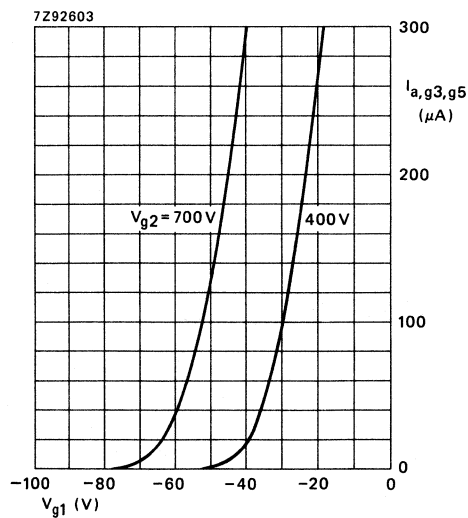


Fig.4 Anode current as a function of grid 1 voltage.
Grid drive; $V_{a,g3,g5} = 14$ kV.

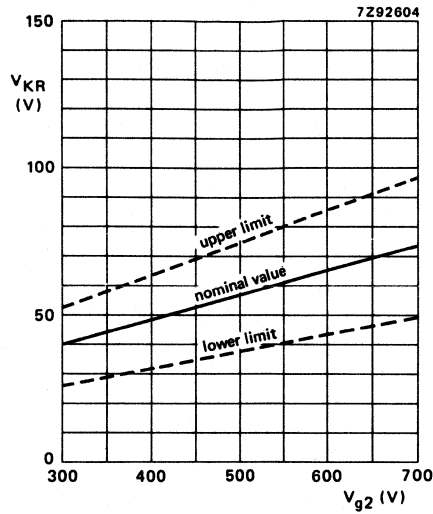


Fig.5 Limits of cathode cut-off voltage as a function of grid 2 voltage.
Cathode drive; $V_{a,g3,g5} = 14$ kV.

$$\frac{\Delta V_{KR}}{\Delta V_{a,g3,g5}} = 0,9 \times 10^{-3}$$

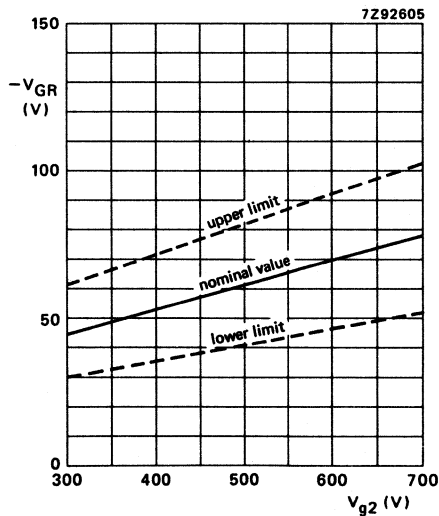
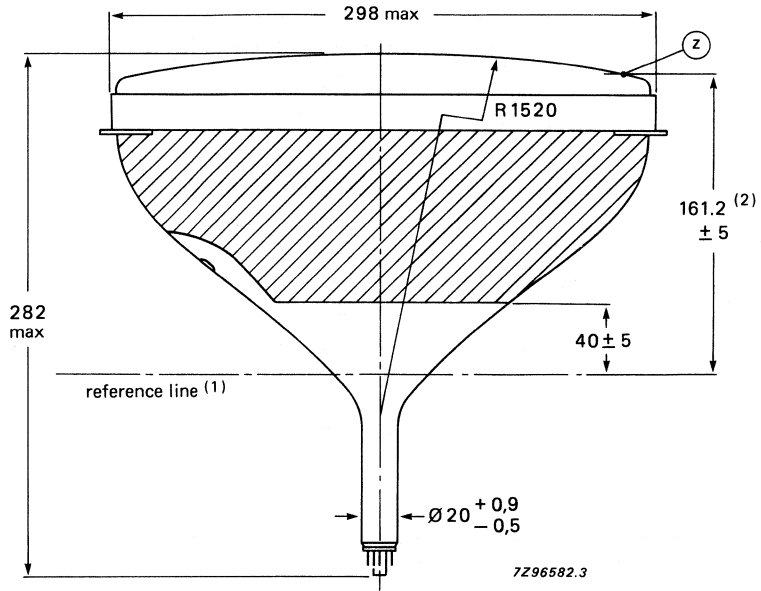


Fig.6 Limits of grid 1 cut-off voltage as a function of grid 2 voltage.
Grid drive; $V_{a,g3,g5} = 14$ kV.

$$\frac{\Delta V_{GR}}{\Delta V_{a,g3,g5}} = 0,9 \times 10^{-3}$$

DIMENSIONAL DATA

Dimensions in mm



→ Fig. 7.

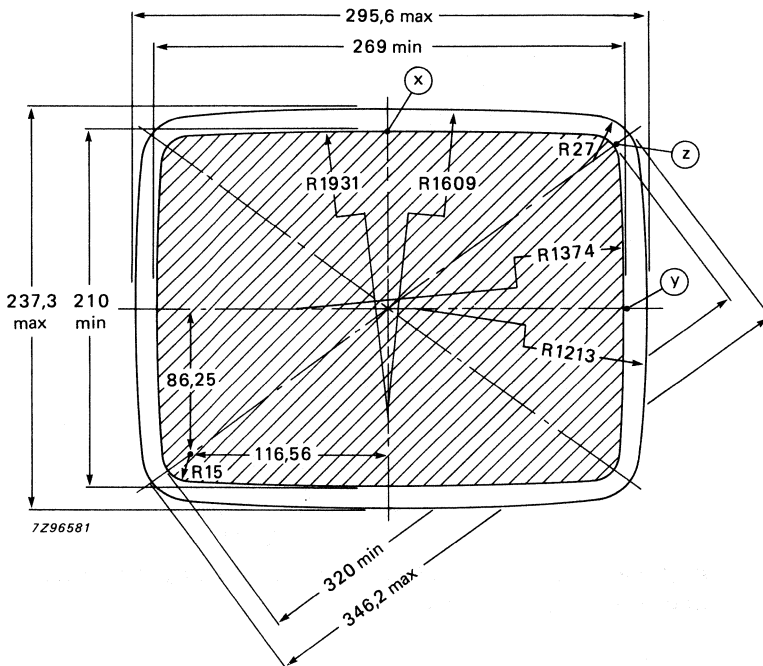


Fig. 8.

(1) The reference line is determined by the plane of the upper edge of reference line gauge D when the gauge is resting on the cone.

(2) If NEG type, this value changes to 162.9 ± 5.

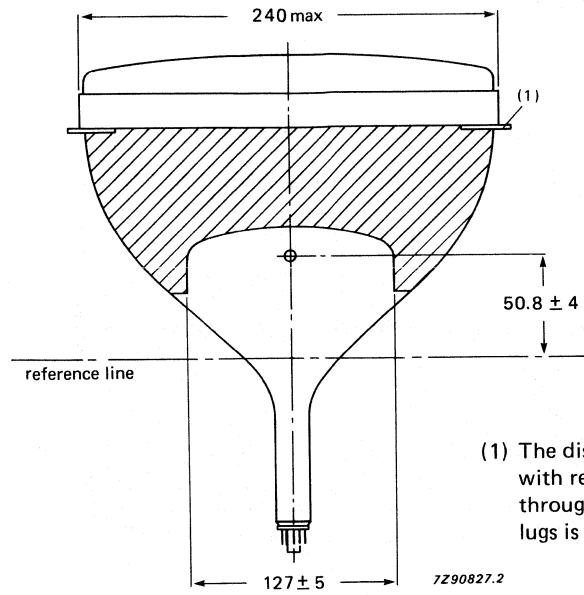


Fig.9.

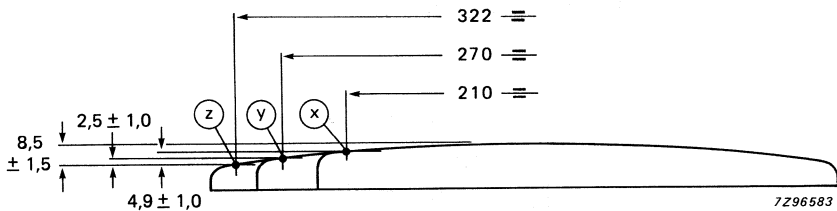
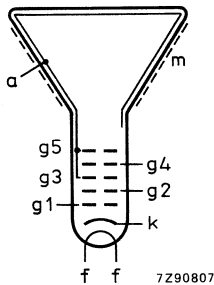
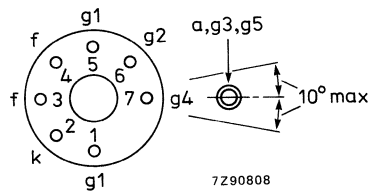


Fig.10 Screen reference points.



7290807

Fig.11 Electrode configuration.



7290808

Fig.12 Pin arrangement.

Front view of tube M32EBJ

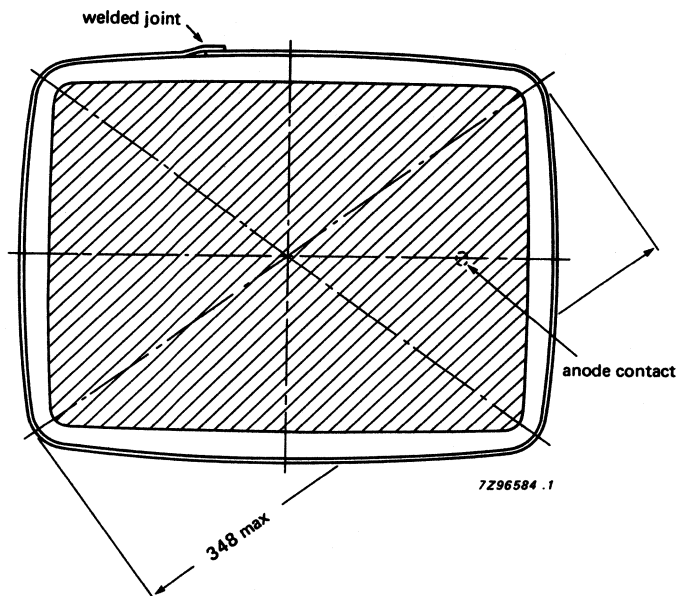


Fig.13 Tube mounting dimensions; front view.

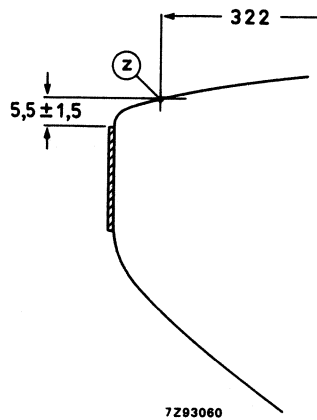


Fig.14 Lug position.

Front view and lug dimensions of tube M32EBL

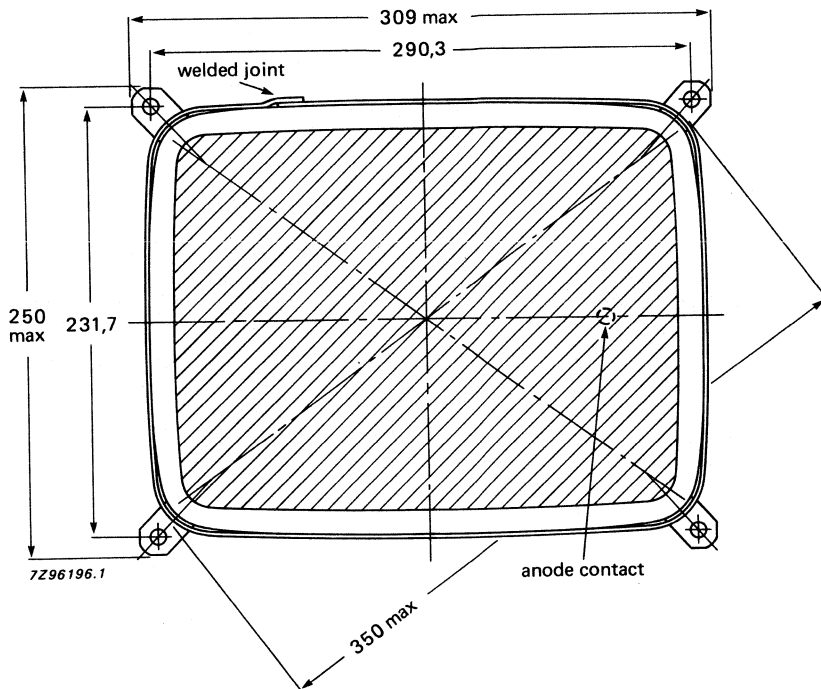


Fig.15 Tube mounting dimensions; front view.

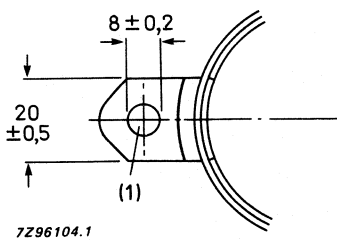


Fig.16 Lug dimensions.

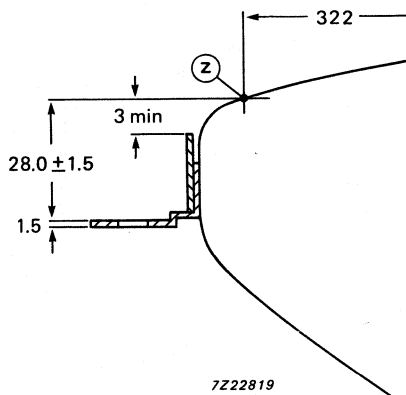


Fig.17 Lug position.

(1) The mounting screws in the cabinet must be situated inside a circle of 5 mm diameter drawn around the true geometrical positions i.e. at the corners of a rectangle of 290,3 mm x 231,7 mm.

Maximum cone contour

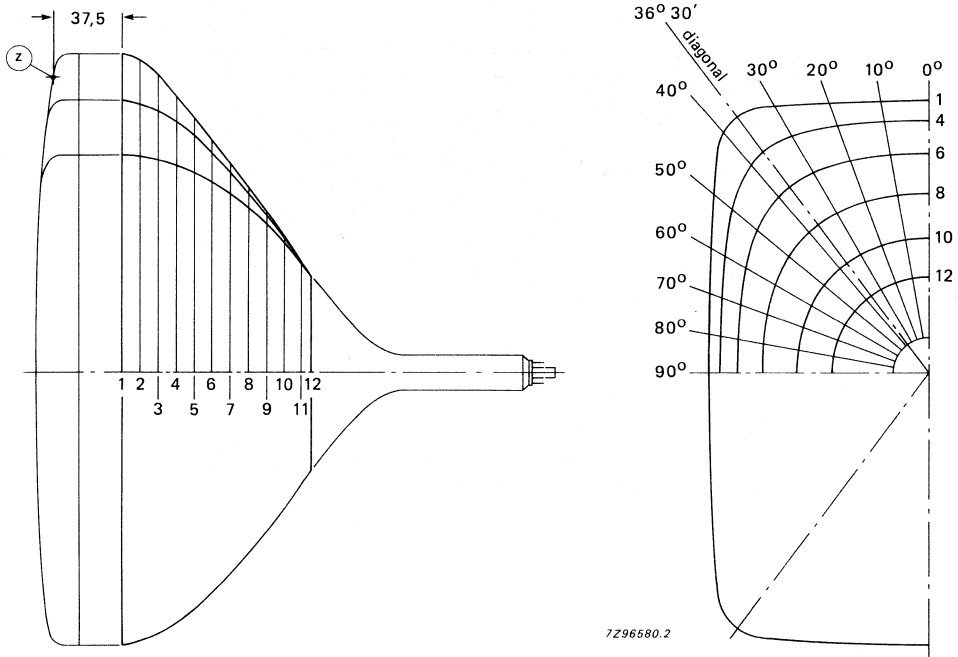


Fig.18 Cone contour.

sec- tion	nom. distance from section 1	max. distance from centre										
		0,00	10,00	20,00	30,00	36,50	40,00	50,00	60,00	70,00	80,00	90,00
1	0	147,75	149,80	156,19	167,63	173,43	171,77	151,39	135,49	125,67	120,31	118,60
2	10	146,15	148,17	154,42	165,14	170,27	168,65	149,73	134,26	124,62	119,34	117,66
3	20	142,36	144,25	149,91	158,20	161,07	159,63	145,28	131,24	122,14	117,11	115,50
4	30	136,49	138,18	142,87	148,45	149,74	148,65	138,71	126,91	118,58	113,89	112,39
5	40	128,75	130,16	133,72	137,36	137,91	137,07	130,27	121,08	113,85	109,61	108,23
6	50	119,35	120,49	123,12	125,56	125,86	125,30	120,77	113,97	108,01	104,28	103,05
7	60	108,70	109,58	111,51	113,24	113,50	113,19	110,37	105,66	101,04	97,92	96,84
8	70	97,64	98,27	99,58	100,70	100,90	100,74	99,10	96,11	92,85	90,43	89,53
9	80	86,29	86,69	87,45	88,06	88,14	88,04	87,11	85,36	83,31	81,62	80,93
10	90	74,00	74,26	74,72	75,09	75,14	75,10	74,60	73,64	72,44	71,37	70,90
11	100	60,59	60,78	61,12	61,41	61,51	61,52	61,35	60,93	60,34	59,78	59,50
12	110	51,89	51,97	52,09	52,20	52,23	52,24	52,19	52,07	51,90	51,73	51,64

DEVELOPMENT DATA

This data sheet contains advance information and specifications are subject to change without notice.

M32EBM
M32EBN

FLAT HIGH RESOLUTION MONOCHROME MONITOR TUBES

- For Data Graphic Displays
- 90° deflection angle
- 34 cm (14 in) face diagonal; rectangular glass
- 1520 mm radius of screen curvature
- 20 mm neck diameter
- Integral implosion protection

QUICK REFERENCE DATA

Deflection angle	90°
Face diagonal	34 cm (14 in)
Overall length	max. 282 mm
Neck diameter	20 mm
Heating	12 V/75 mA
Grid 2 voltage	400 V
Anode voltage	14 kV
Resolution	approx. 1300 lines

APPLICATION

These high resolution tubes are for alphanumeric and graphic display applications, such as computer terminals, small business computers, etc.

AVAILABLE VERSIONS

The following versions are available: M32EBM and M32EBN.

The tubes can be supplied with different phosphors and anti-reflective treatments, see "High resolution monochrome monitor tubes, General".

Differences between the tubes can be found under 'Dimensional Data'.

ELECTRICAL DATA

Focusing method electrostatic

Deflection method magnetic

Deflection angles
 diagonal approx. 90°
 horizontal approx. 79°
 vertical approx. 65°

Interelectrode capacitances
 cathode to all other electrodes max. 4 pF
 grid 1 to all other electrodes max. 7 pF

→ Capacitance of external conductive coating to anode*
 → max. 1400 pF
 min. 800 pF

Capacitance of external conductive coating to anode**
 max. 1050 pF
 min. 450 pF

Capacitance of anode to implosion protection hardware**
 approx. 150 pF

Heater voltage 12 V

Heater current at 12 V 75 mA

OPTICAL DATA

Phosphor type see "High resolution mono-chrome monitor tubes, General"

Light transmission at screen centre
 tube with normal tinted face glass approx. 42%
 tube with dark tinted face glass approx. 30%

RASTER CENTRING

The field intensity perpendicular to the tube axis should be adjustable from 0 to 800 A/m. For optimum overall sharpness it is recommended to centre the raster electrically via the deflection coils.

* Implosion protection hardware connected to external conductive coating.

** Implosion protection hardware not connected to external conductive coating.

MECHANICAL DATA (see also the figures under Dimensional Data)

Overall length	max. 282 mm
Greatest dimensions of tube	
diagonal	348,5 mm
width	298 mm
height	240 mm
Minimum useful screen dimensions (projected)	
diagonal	320 mm
horizontal axis	269 mm
vertical axis	210 mm
area	554 cm ²
Implosion protection	T-band/rimband
Bulb	EIAJ-JB340AH03 or EIAJ-JB340AH04
Bulb contact designation	IEC 67-III-2, EIAJ1-21
Base designation	EIA-E7-91
Basing	7GR
Mass	approx. 3,9 kg

RATINGS (Absolute Maximum System)

Unless otherwise specified voltage values are positive and measured with respect to grid 1.

Anode voltage	max. 16 kV min. 10 kV
Grid 4 (focusing electrode) voltage	-200 to + 1000 V
Grid 2 voltage	max. 700 V
Anode current	
long-term average value	max. 130 μ A
peak value	max. 300 μ A
Cathode voltage, positive peak value	max. 400 V
Heater voltage	12 V \pm 10%*
Cathode-to-heater voltage	max. 100 V

DEVELOPMENT DATA

* For maximum cathode life it is recommended that the heater supply be regulated at 12 V $\begin{matrix} +0\% \\ -5\% \end{matrix}$.

CIRCUIT DESIGN VALUES

Grid 4 current	
positive	max. 25 μ A
negative	max. 25 μ A
Grid 2 current	
positive	max. 5 μ A
negative	max. 5 μ A

MAXIMUM CIRCUIT VALUES

Resistance between cathode and heater	max. 1 M Ω
Impedance between cathode and heater	max. 0,1 M Ω
Grid 1 circuit resistance	max. 1,5 M Ω
Grid 1 circuit impedance	max. 0,5 M Ω

TYPICAL OPERATING CONDITIONS

Cathode drive; voltages specified with respect to grid 1

Anode voltage	14 kV
Grid 4 (focusing electrode) voltage	0 to 300 V*
Grid 2 voltage	400 V
Cathode cut-off voltage	32 to 64 V**

Grid drive; voltages specified with respect to cathode

Anode voltage	14 kV
Grid 4 (focusing electrode) voltage	0 to 300 V*
Grid 2 voltage	400 V
Grid 1 cut-off voltage	35 to 70 V**

RESOLUTION

The resolution is approx. 1300 lines. It is measured at the screen centre:

- with shrinking raster method,
- at light output 68,5 cd/m² (20 foot lambert) and raster dimensions 237 mm x 178 mm,
- at $V_{g2} = 700$ V and anode voltage = 14 kV,
- with phosphor type WW,
- with normal tinted face glass, without anti-glare treatment of screen surface.

X-RADIATION CHARACTERISTIC

X-radiation emitted will not exceed 0,5 mR/h throughout the useful life of the tube, when operated within the given ratings.

* Measured at screen centre on spot at anode current = 250 μ A (peak), anode voltage = 14 kV, grid 2 voltage = 400 V.

Dynamic focus (only for optimization): Typical correction for a video field of H x V = 237 mm x 178 mm:
line parabola 200 V,
field parabola 100 V.

** Visual extinction of focused raster.

DEVELOPMENT DATA

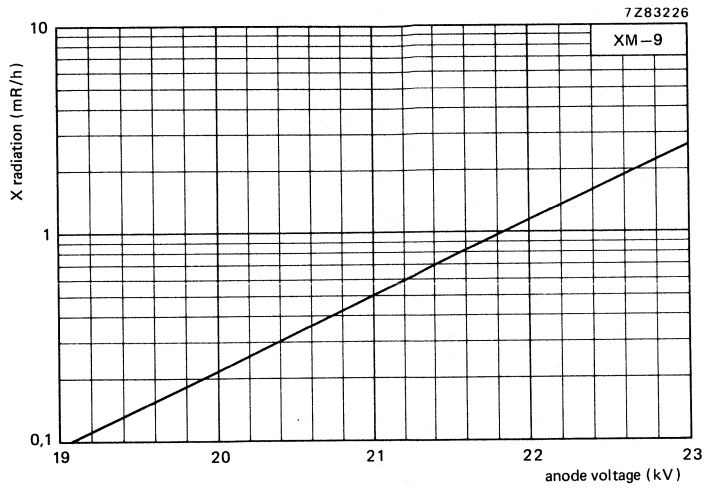


Fig. 1 X-radiation limit curve according to JEDEC94, at a constant anode current of 250 μ A, measured according to TEPAC103A.

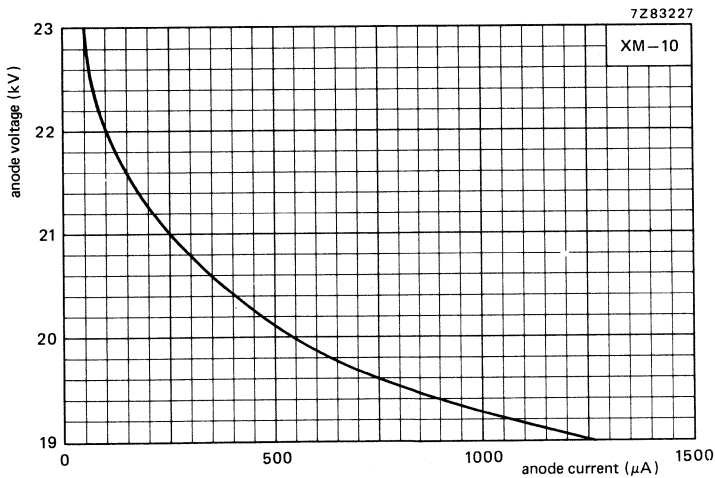


Fig. 2 0,5 mR/h isoexposure-rate limit curve, according to JEDEC94, measured according to TEPAC103A.

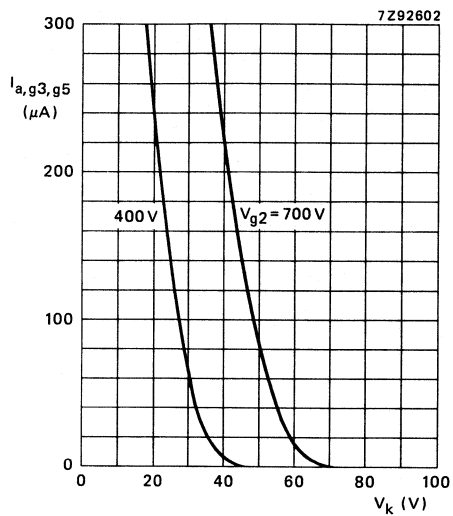


Fig. 3 Anode current as a function of cathode voltage.
Cathode drive; $V_{a,g3,g5} = 14\text{ kV}$.

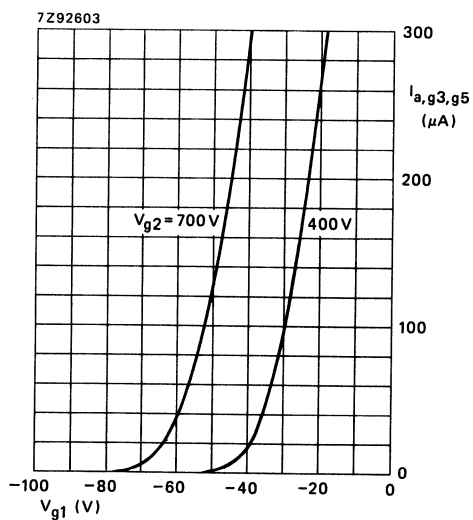


Fig. 4 Anode current as a function of grid 1 voltage.
Grid drive; $V_{a,g3,g5} = 14\text{ kV}$.

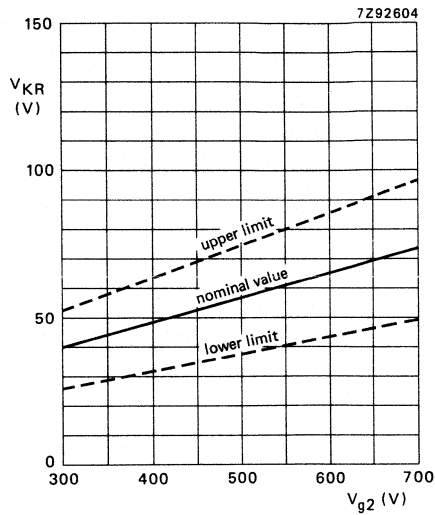


Fig. 5 Limits of cathode cut-off voltage as a function of grid 2 voltage. Cathode drive; $V_{a,g3,g5} = 14$ kV.

$$\frac{\Delta V_{KR}}{\Delta V_{a,g3,g5}} = 0,9 \times 10^{-3}$$

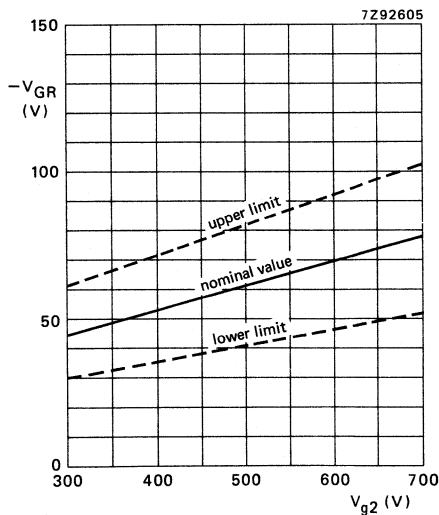


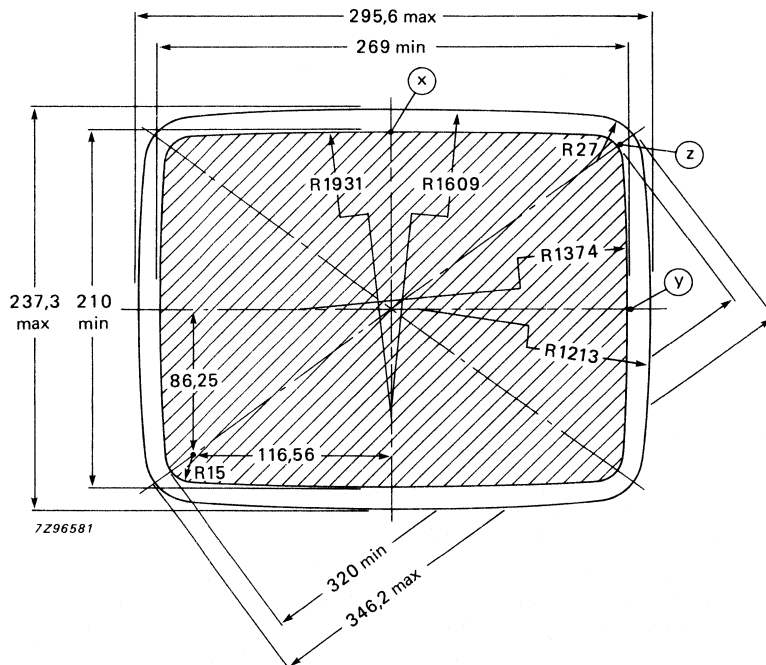
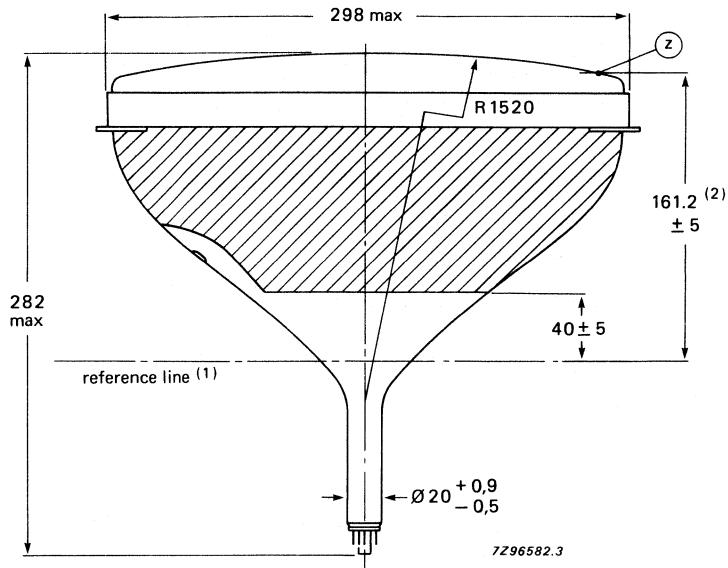
Fig. 6 Limits of grid 1 cut-off voltage as a function of grid 2 voltage. Grid drive; $V_{a,g3,g5} = 14$ kV.

$$\frac{\Delta V_{GR}}{\Delta V_{a,g3,g5}} = 0,9 \times 10^{-3}$$

DEVELOPMENT DATA

DIMENSIONAL DATA

Dimensions in mm



- (1) The reference line is determined by the plane of the upper edge of reference line gauge D when the gauge is resting on the cone.
 (2) If NEG type, this value changes to 162.9 ± 5 .

DEVELOPMENT DATA

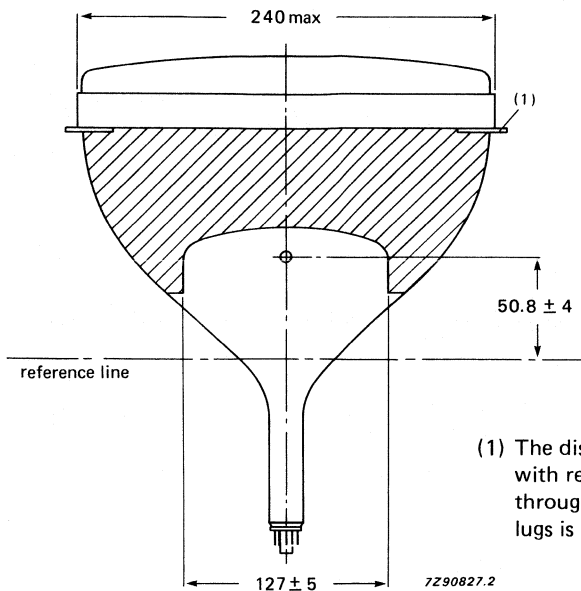


Fig. 9

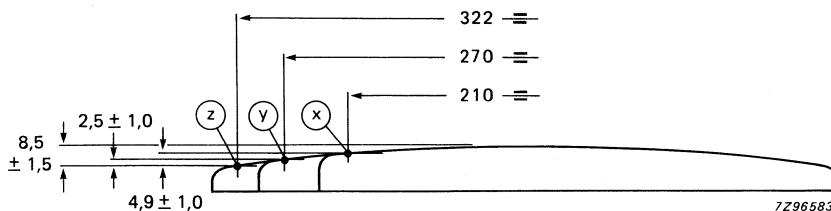


Fig. 10 Screen reference points.

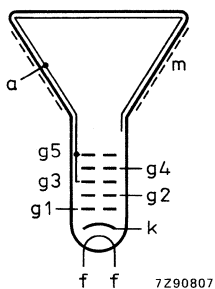


Fig. 11 Electrode configuration.

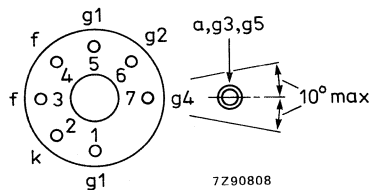


Fig. 12 Pin arrangement.

Front view of tube M32EBM

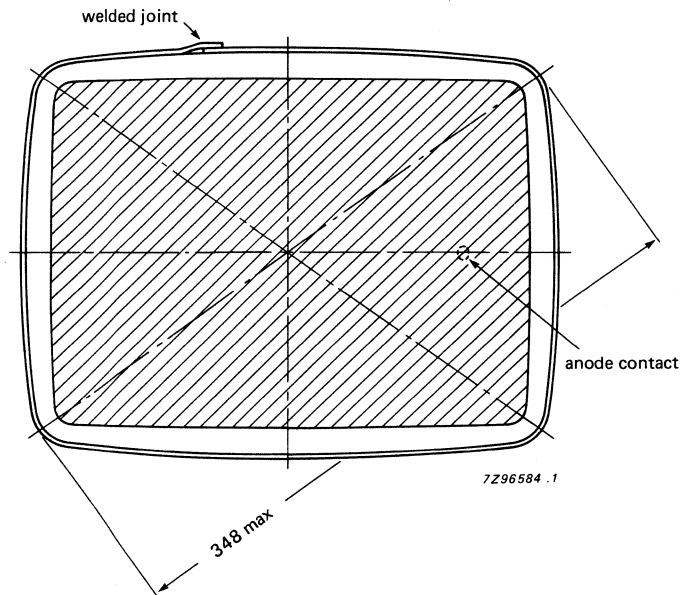


Fig. 13 Tube front view with rimband.

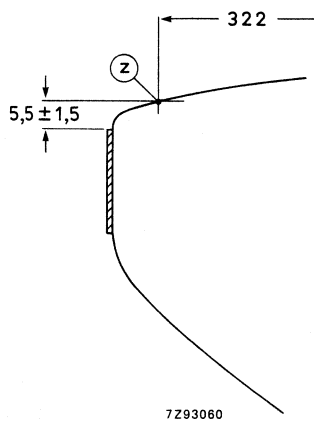


Fig. 14 Rimband position.

Front view and lug dimensions of tube M32EBN

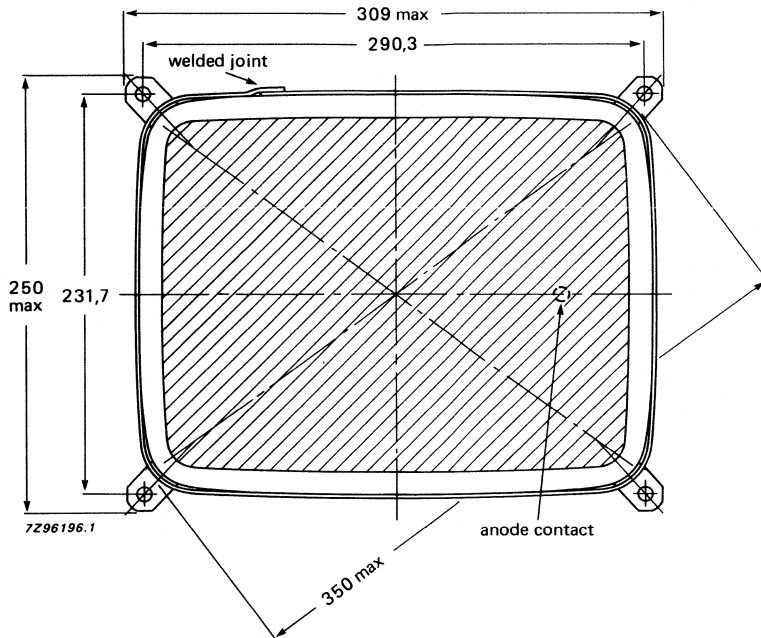


Fig. 15 Tube mounting dimensions; front view.

DEVELOPMENT DATA

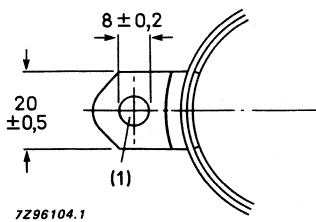


Fig. 16 Lug dimensions.

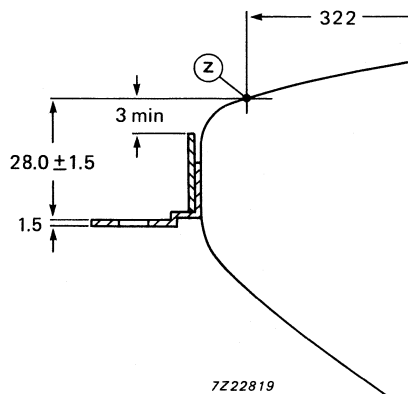


Fig. 17 Lug position.

(1) The mounting screws in the cabinet must be situated inside a circle of 5 mm diameter drawn around the true geometrical positions i.e. at the corners of a rectangle of 290,3 mm x 231,7 mm.

Maximum cone contour

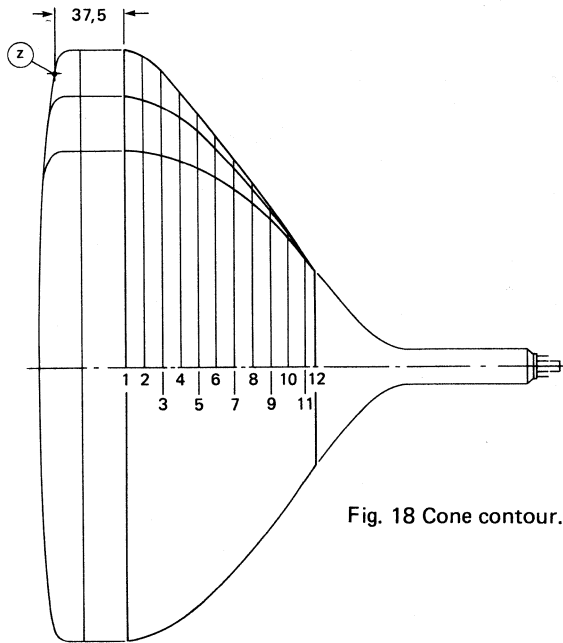
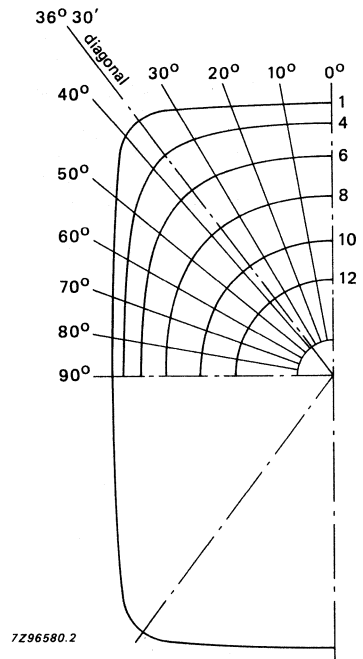


Fig. 18 Cone contour.



7Z96580.2

Table 1 Cone contour data

sec- tion	nom. distance from section 1	max. distance from centre										
		0,00	10,00	20,00	30,00	36,50	40,00	50,00	60,00	70,00	80,00	90,00
1	0	147,75	149,80	156,19	167,63	173,43	171,77	151,39	135,49	125,67	120,31	118,60
2	10	146,15	148,17	154,42	165,14	170,27	168,65	149,73	134,26	124,62	119,34	117,66
3	20	142,36	144,25	149,91	158,20	161,07	159,63	145,28	131,24	122,14	117,11	115,50
4	30	136,49	138,18	142,87	148,45	149,74	148,65	138,71	126,91	118,58	113,89	112,39
5	40	128,75	130,16	133,72	137,36	137,91	137,07	130,27	121,08	113,85	109,61	108,23
6	50	119,35	120,49	123,12	125,56	125,86	125,30	120,77	113,97	108,01	104,28	103,05
7	60	108,70	109,58	111,51	113,24	113,50	113,19	110,37	105,66	101,04	97,92	96,84
8	70	97,64	98,27	99,58	100,70	100,90	100,74	99,10	96,11	92,85	90,43	89,53
9	80	86,29	86,69	87,45	88,06	88,14	88,04	87,11	85,36	83,31	81,62	80,93
10	90	74,00	74,26	74,72	75,09	75,14	75,10	74,60	73,64	72,44	71,37	70,90
11	100	60,59	60,78	61,12	61,41	61,51	61,52	61,35	60,93	60,34	59,78	59,50
12	110	51,89	51,97	52,09	52,20	52,23	52,24	52,19	52,07	51,90	51,73	51,64

DEVELOPMENT DATA

This data sheet contains advance information and specifications are subject to change without notice.

M32EBY

FLAT HIGH RESOLUTION MONOCHROME MONITOR TUBE

- For Data Graphic Displays
- 90° deflection angle
- 34 cm (14 in) face diagonal; rectangular glass
- 1520 mm radius of screen curvature
- 20 mm neck diameter
- Integral implosion protection

QUICK REFERENCE DATA

Deflection angle	90°
Face diagonal	34 cm (14 in)
Overall length	max. 282 mm
Neck diameter	20 mm
Heating	12 V/130 mA
Quick heating cathode	with a typical tube a legible picture will appear within 5 s
Grid 2 voltage	400 V
Anode voltage	14 kV
Resolution	approx. 1300 lines

APPLICATION

This high resolution tube is for alpha-numeric and graphic display applications, such as computer terminals, small business computers, etc.

AVAILABLE VERSIONS

The tube can be supplied with different phosphors and anti-reflective treatments, see "High resolution monochrome monitor tubes, General".

ELECTRICAL DATA

Focusing method	electrostatic
Deflection method	magnetic
Deflection angles	
diagonal	approx. 90°
horizontal	approx. 79°
vertical	approx. 65°
Interelectrode capacitances	
cathode to all other electrodes	max. 4 pF
grid 1 to all other electrodes	max. 7 pF
→ Capacitance of external conductive coating to anode*	max. 1400 pF min. 800 pF
→ Capacitance of external conductive coating to anode**	max. 1050 pF min. 450 pF
Capacitance of anode to implosion protection hardware**	approx. 150 pF
Heater voltage	12 V
Heater current at 12 V	130 mA

OPTICAL DATA

Phosphor type	see "High resolution mono-chrome monitor tubes, General"
Light transmission at screen centre	
tube with normal tinted face glass	approx. 42%
tube with dark tinted face glass	approx. 30%

RASTER CENTRING

The field intensity perpendicular to the tube axis should be adjustable from 0 to 800 A/m. For optimum overall sharpness it is recommended to centre the raster electrically via the deflection coils.

* Implosion protection hardware connected to external conductive coating.

** Implosion protection hardware not connected to external conductive coating.

MECHANICAL DATA (see also the figures under Dimensional Data)

Overall length	max. 282 mm
Greatest dimensions of tube	
diagonal	348,5 mm
width	298 mm
height	240 mm
Minimum useful screen dimensions (projected)	
diagonal	320 mm
horizontal axis	269 mm
vertical axis	210 mm
area	554 cm ²
Implosion protection	T-band/rimband
Bulb	EIAJ-JB340AH03 or EIAJ-JB340AH04
Bulb contact designation	IEC 67-III-2, EIAJ1-21
Base designation	EIA-E7-91
Basing	7GR
Mass	approx. 3,9 kg

RATINGS (Absolute Maximum System)

Unless otherwise specified voltage values are positive and measured with respect to grid 1.

Anode voltage	max. 16 kV min. 10 kV
Grid 4 (focusing electrode) voltage	-200 to + 1000 V
Grid 2 voltage	max. 700 V
Anode current	
long-term average value	max. 130 μ A
peak value	max. 300 μ A
Cathode voltage, positive peak value	max. 400 V
Heater voltage	12 V \pm 10%*
Cathode-to-heater voltage	max. 100 V

DEVELOPMENT DATA



* For maximum cathode life it is recommended that the heater supply be regulated at 12 V $\begin{matrix} +0\% \\ -5\% \end{matrix}$.

CIRCUIT DESIGN VALUES

Grid 4 current	
positive	max. 25 μ A
negative	max. 25 μ A
Grid 2 current	
positive	max. 5 μ A
negative	max. 5 μ A

MAXIMUM CIRCUIT VALUES

Resistance between cathode and heater	max. 1 M Ω
Impedance between cathode and heater	max. 0,1 M Ω
Grid 1 circuit resistance	max. 1,5 M Ω
Grid 1 circuit impedance	max. 0,5 M Ω

TYPICAL OPERATING CONDITIONS

Cathode drive; voltages specified with respect to grid 1

Anode voltage	14 kV
Grid 4 (focusing electrode) voltage	0 to 300 V*
Grid 2 voltage	400 V
Cathode cut-off voltage	32 to 64 V**

Grid drive; voltages specified with respect to cathode

Anode voltage	14 kV
Grid 4 (focusing electrode) voltage	0 to 300 V*
Grid 2 voltage	400 V
Grid 1 cut-off voltage	35 to 70 V**

RESOLUTION

The resolution is approx. 1300 lines. It is measured at the screen centre:

- with shrinking raster method,
- at light output 68,5 cd/m² (20 foot lambert) and raster dimensions 237 mm x 178 mm,
- at $V_{g2} = 700$ V and anode voltage = 14 kV,
- with phosphor type WW,
- with normal tinted face glass, without anti-glare treatment of screen surface.

X-RADIATION CHARACTERISTIC

X-radiation emitted will not exceed 0,5 mR/h throughout the useful life of the tube, when operated within the given ratings.

* Measured at screen centre on spot at anode current = 250 μ A (peak), anode voltage = 14 kV, grid 2 voltage = 400 V.

Dynamic focus (only for optimization): Typical correction for a video field of H x V = 237 mm x 178 mm:
line parabola 200 V,
field parabola 100 V.

** Visual extinction of focused raster.

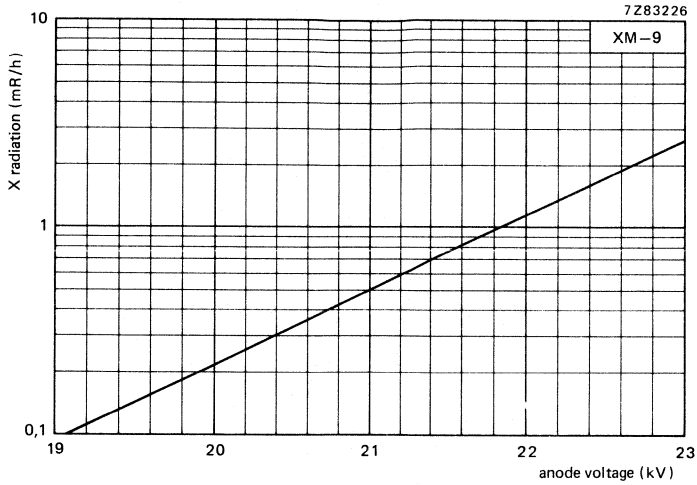


Fig. 1 X-radiation limit curve according to JEDEC94, at a constant anode current of 250 μ A, measured according to TEPAC103A.

DEVELOPMENT DATA

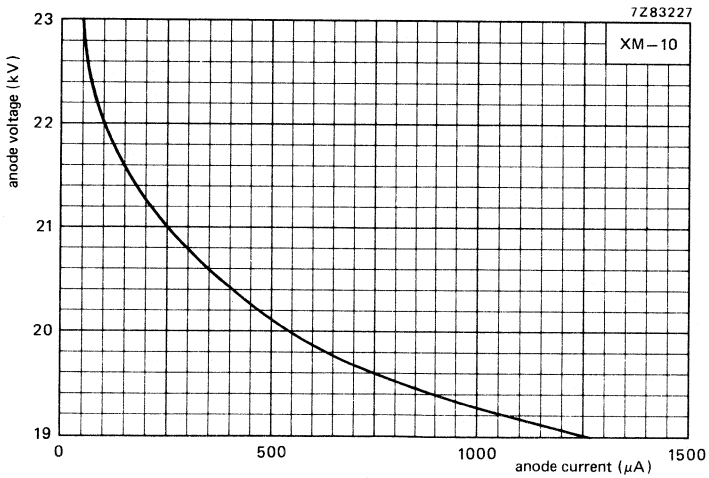


Fig. 2 0,5 mR/h isoexposure-rate limit curve, according to JEDEC94, measured according to TEPAC103A.

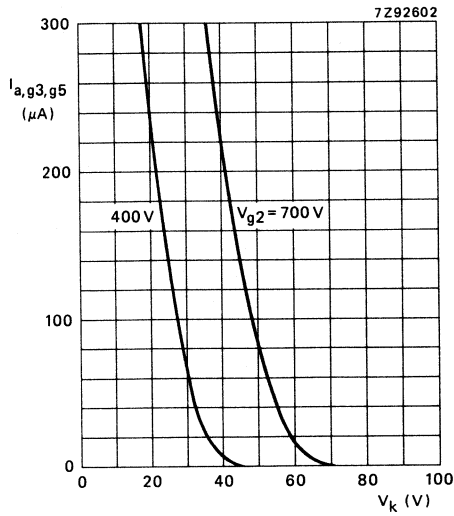


Fig. 3 Anode current as a function of cathode voltage. Cathode drive; $V_{a,g3,g5} = 14$ kV.

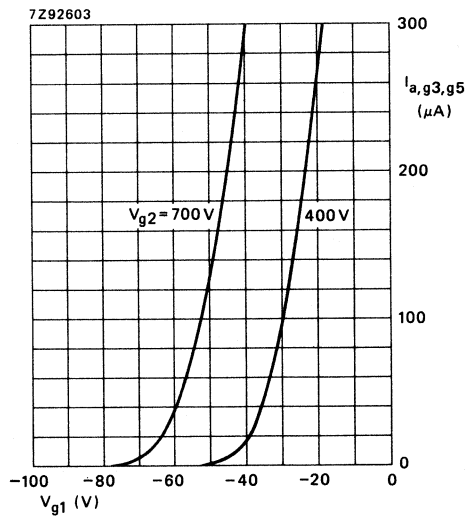


Fig. 4 Anode current as a function of grid 1 voltage. Grid drive; $V_{a,g3,g5} = 14$ kV.

DEVELOPMENT DATA

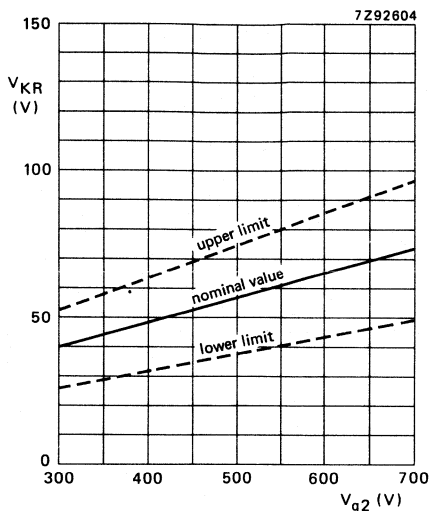


Fig. 5 Limits of cathode cut-off voltage as a function of grid 2 voltage.
Cathode drive; $V_{a,g3,g5} = 14$ kV.

$$\frac{\Delta V_{KR}}{\Delta V_{a,g3,g5}} = 0,9 \times 10^{-3}$$

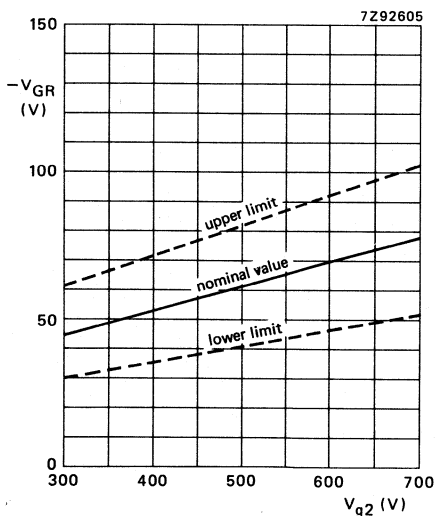
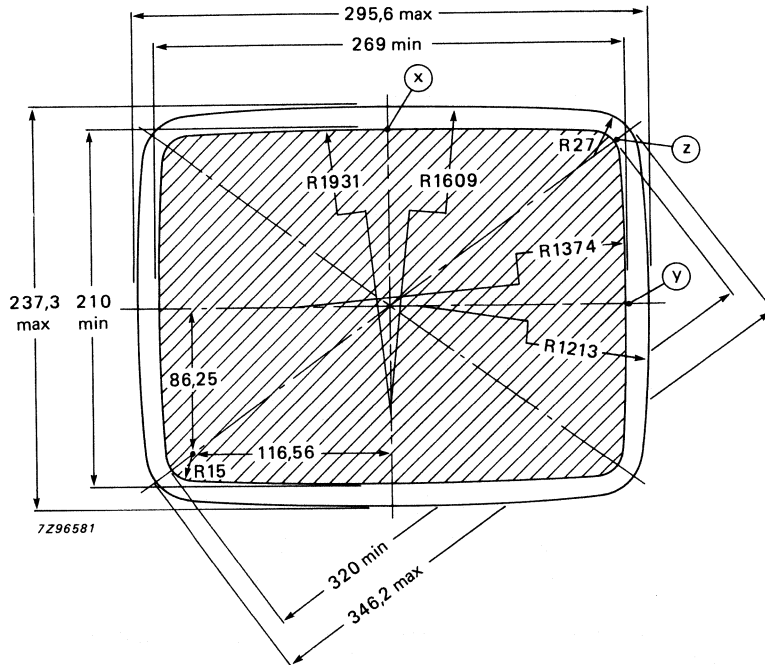
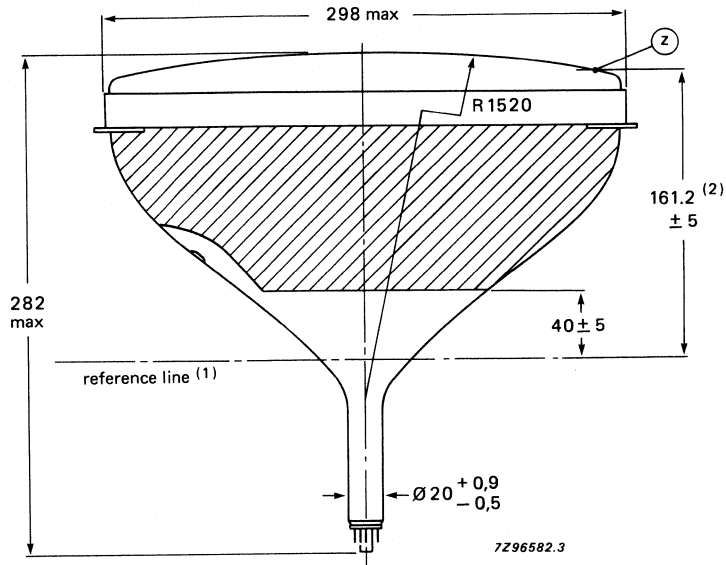


Fig. 6 Limits of grid 1 cut-off voltage as a function of grid 2 voltage.
Grid drive; $V_{a,g3,g5} = 14$ kV.

$$\frac{\Delta V_{GR}}{\Delta V_{a,g3,g5}} = 0,9 \times 10^{-3}$$

DIMENSIONAL DATA

Dimensions in mm



- (1) The reference line is determined by the plane of the upper edge of reference line gauge D when the gauge is resting on the cone.
- (2) If NEG type, this value changes to 162.9 ± 5 .

DEVELOPMENT DATA

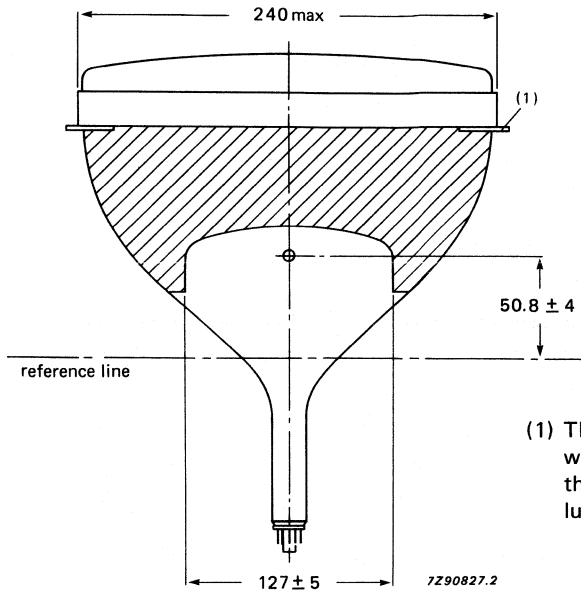


Fig. 9.

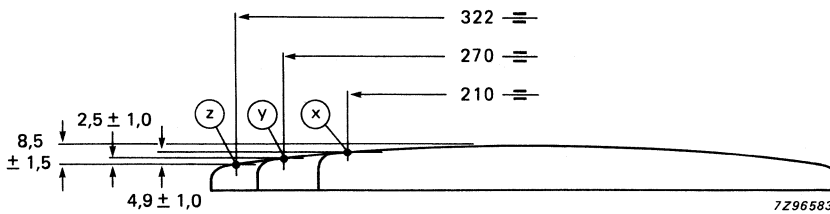


Fig. 10 Screen reference points.

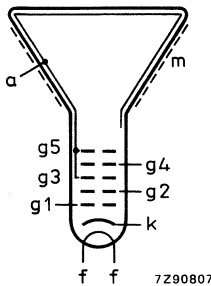


Fig. 11 Electrode configuration.

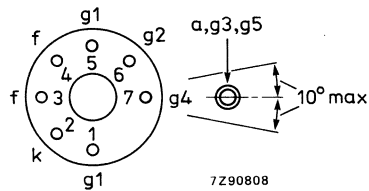


Fig. 12 Pin arrangement; bottom view.

Front view and lug dimensions

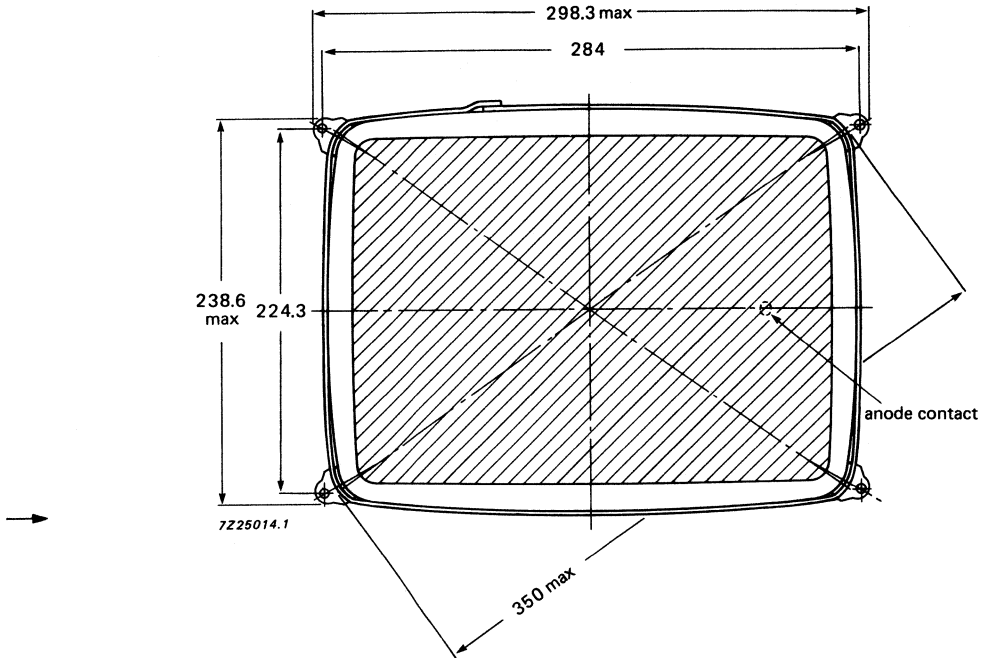


Fig. 13 Tube mounting dimensions; front view.

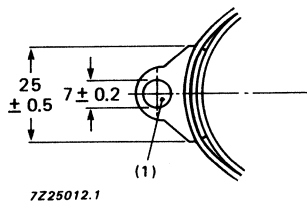


Fig. 14 Lug dimensions.

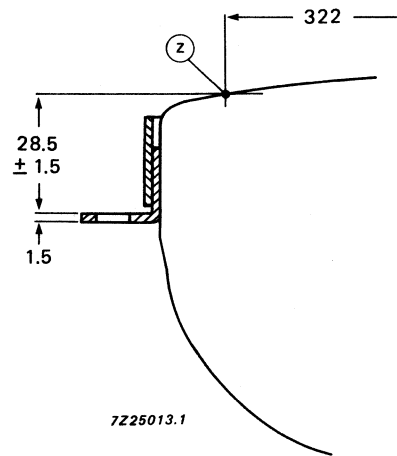


Fig. 15 Lug position.

(1) The mounting screws in the cabinet must be situated inside a circle of 4 mm diameter drawn around the true geometrical positions i.e. at the corners of a rectangle of 284 mm x 224,3 mm.

Maximum cone contour

DEVELOPMENT DATA

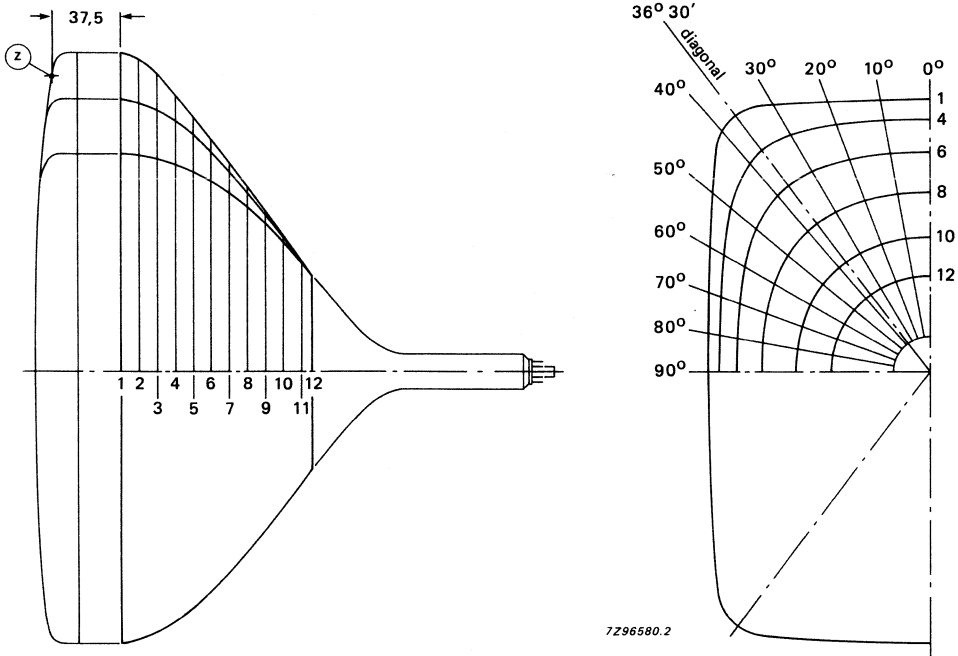


Fig. 16 Cone contour.

Table 1 Contour data

sec- tion	nom. distance from section 1	max. distance from centre										
		0,00	10,00	20,00	30,00	36,50	40,00	50,00	60,00	70,00	80,00	90,00
1	0	147,75	149,80	156,19	167,63	173,43	171,77	151,39	135,49	125,67	120,31	118,60
2	10	146,15	148,17	154,42	165,14	170,27	168,65	149,73	134,26	124,62	119,34	117,66
3	20	142,36	144,25	149,91	158,20	161,07	159,63	145,28	131,24	122,14	117,11	115,50
4	30	136,49	138,18	142,87	148,45	149,74	148,65	138,71	126,91	118,58	113,89	112,39
5	40	128,75	130,16	133,72	137,36	137,91	137,07	130,27	121,08	113,85	109,61	108,23
6	50	119,35	120,49	123,12	125,56	125,86	125,30	120,77	113,97	108,01	104,28	103,05
7	60	108,70	109,58	111,51	113,24	113,50	113,19	110,37	105,66	101,04	97,92	96,84
8	70	97,64	98,27	99,58	100,70	100,90	100,74	99,10	96,11	92,85	90,43	89,53
9	80	86,29	86,69	87,45	88,06	88,14	88,04	87,11	85,36	83,31	81,62	80,93
10	90	74,00	74,26	74,72	75,09	75,14	75,10	74,60	73,64	72,44	71,37	70,90
11	100	60,59	60,78	61,12	61,41	61,51	61,52	61,35	60,93	60,34	59,78	59,50
12	110	51,89	51,97	52,09	52,20	52,23	52,24	52,19	52,07	51,90	51,73	51,64

FLAT HIGH RESOLUTION MONOCHROME MONITOR TUBE

- For Data Graphic Displays
- 90° deflection angle
- 34 cm (14 in) face diagonal; rectangular glass
- 1520 mm radius of screen curvature
- 20 mm neck diameter
- Integral implosion protection

QUICK REFERENCE DATA

Deflection angle	90°
Face diagonal	34 cm (14 in)
Overall length	max. 282 mm
Neck diameter	20 mm
Heating	12 V/130 mA
Quick heating cathode	with a typical tube a legible picture will appear within 5 s
Grid 2 voltage	400 V
Anode voltage	14 kV
Resolution	approx. 1300 lines

APPLICATION

This high resolution tube is for alpha-numeric and graphic display applications, such as computer terminals, small business computers, etc.

AVAILABLE VERSIONS

The tube can be supplied with different phosphors and anti-reflective treatments, see "High resolution monochrome monitor tubes, General".

ELECTRICAL DATA

Focusing method	electrostatic
Deflection method	magnetic
Deflection angles	
diagonal	approx. 90°
horizontal	approx. 79°
vertical	approx. 65°
Interelectrode capacitances	
cathode to all other electrodes	max. 4 pF
grid 1 to all other electrodes	max. 7 pF
Capacitance of external conductive coating to anode*	max. 1400 pF min. 800 pF
Capacitance of external conductive coating to anode**	max. 1050 pF min. 450 pF
Capacitance of anode to implosion protection hardware**	approx. 150 pF
Heater voltage	12 V
Heater current at 12 V	130 mA

OPTICAL DATA

Phosphor type	see "High resolution mono-chrome monitor tubes, General"
Light transmission at screen centre	
tube with normal tinted face glass	approx. 42%
tube with dark tinted face glass	approx. 30%

RASTER CENTRING

The field intensity perpendicular to the tube axis should be adjustable from 0 to 800 A/m. For optimum overall sharpness it is recommended to centre the raster electrically via the deflection coils.

* Implosion protection hardware connected to external conductive coating.

** Implosion protection hardware not connected to external conductive coating.

MECHANICAL DATA (see also Figs 7 to 18)

Overall length	max. 282 mm
Greatest dimensions of tube	
diagonal	348,5 mm
width	298 mm
height	240 mm
Minimum useful screen dimensions (projected)	
diagonal	320 mm
horizontal axis	269 mm
vertical axis	210 mm
area	554 cm ²
Implosion protection	T-band/rimband
Bulb	EIAJ-JB340AH03 or EIAJ-JB340AH04
Bulb contact designation	IEC 67-III-2, EIAJ1-21
Base designation	EIA-E7-91
Basing	7GR
Mass	approx. 3,9 kg

RATINGS (Absolute Maximum System)

Unless otherwise specified voltage values are positive and measured with respect to grid 1.

Anode voltage	max. 16 kV min. 10 kV
Grid 4 (focusing electrode) voltage	-200 to + 1000 V
Grid 2 voltage	max. 700 V
Anode current	
long-term average value	max. 130 μ A
peak value	max. 300 μ A
Cathode voltage, positive peak value	max. 400 V
Heater voltage	12 V \pm 10%*
Cathode-to-heater voltage	max. 100 V

* For maximum cathode life it is recommended that the heater supply be regulated at 12 V $\begin{matrix} +0\% \\ -5\% \end{matrix}$.

CIRCUIT DESIGN VALUES

Grid 4 current	
positive	max. 25 μ A
negative	max. 25 μ A
Grid 2 current	
positive	max. 5 μ A
negative	max. 5 μ A

MAXIMUM CIRCUIT VALUES

Resistance between cathode and heater	max. 1 $M\Omega$
Impedance between cathode and heater	max. 0,1 $M\Omega$
Grid 1 circuit resistance	max. 1,5 $M\Omega$
Grid 1 circuit impedance	max. 0,5 $M\Omega$

TYPICAL OPERATING CONDITIONS

Cathode drive; voltages specified with respect to grid 1

Anode voltage	14 kV
Grid 4 (focusing electrode) voltage	0 to 300 V*
Grid 2 voltage	400 V
Cathode cut-off voltage	32 to 64 V**

Grid drive; voltages specified with respect to cathode

Anode voltage	14 kV
Grid 4 (focusing electrode) voltage	0 to 300 V*
Grid 2 voltage	400 V
Grid 1 cut-off voltage	35 to 70 V**

RESOLUTION

The resolution is approx. 1300 lines. It is measured at the screen centre:

- with shrinking raster method,
- at light output 68,5 cd/m² (20 foot lambert) and raster dimensions 237 mm x 178 mm,
- at $V_{g2} = 700$ V and anode voltage = 14 kV,
- with phosphor type WW,
- with normal tinted face glass, without anti-glare treatment of screen surface.

X-RADIATION CHARACTERISTIC

X-radiation emitted will not exceed 0,5 mR/h throughout the useful life of the tube, when operated within the given ratings.

* Measured at screen centre on spot at anode current = 250 μ A (peak), anode voltage = 14 kV, grid 2 voltage = 400 V.

Dynamic focus (only for optimization): Typical correction for a video field of H x V = 237 mm x 178 mm:
line parabola 200 V,
field parabola 100 V.

** Visual extinction of focused raster.

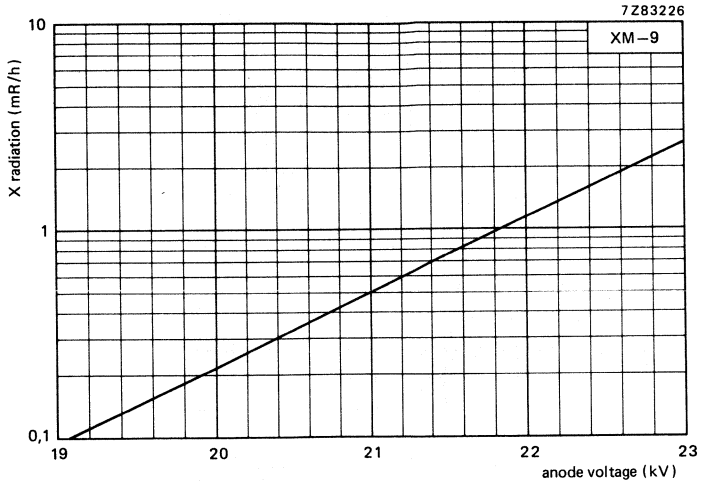


Fig.1 X-radiation limit curve according to JEDEC94, at a constant anode current of 250 μ A, measured according to TEPAC103A.

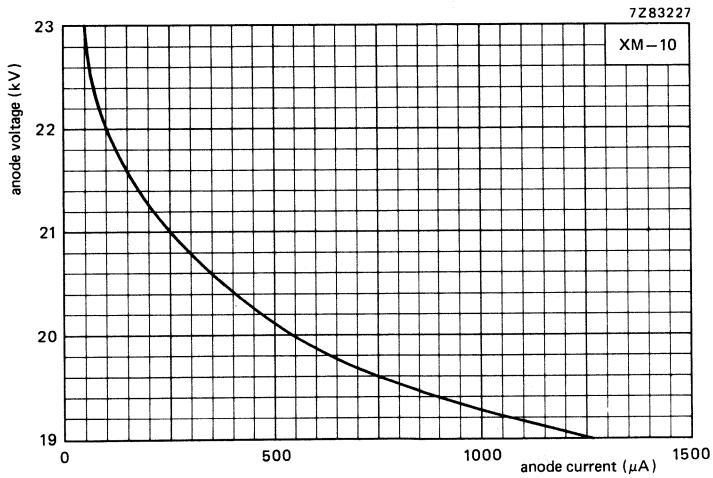


Fig.2 0,5 mR/h isoexposure-rate limit curve, according to JEDEC94, measured according to TEPAC103A.

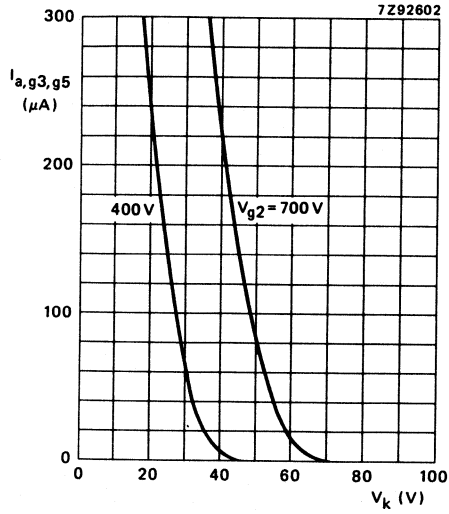


Fig.3 Anode current as a function of cathode voltage.
Cathode drive; $V_{a,g3,g5} = 14\text{ kV}$.

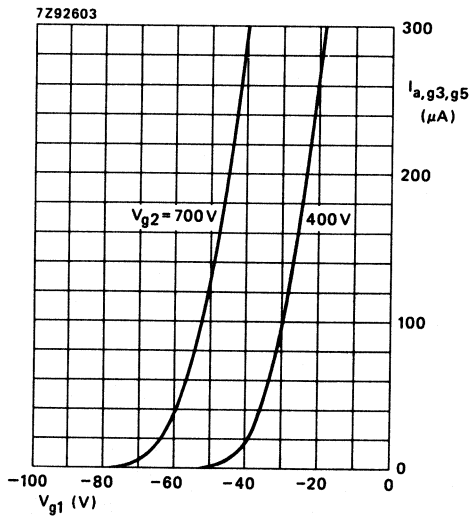


Fig.4 Anode current as a function of grid 1 voltage.
Grid drive; $V_{a,g3,g5} = 14\text{ kV}$.

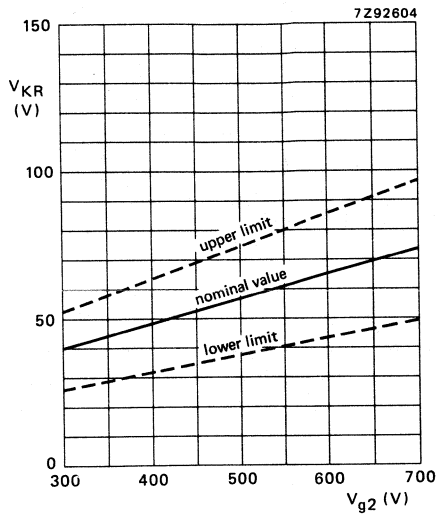


Fig.5 Limits of cathode cut-off voltage as a function of grid 2 voltage.
Cathode drive; $V_{a,g3,g5} = 14$ kV.

$$\frac{\Delta V_{KR}}{\Delta V_{a,g3,g5}} = 0,9 \times 10^{-3}$$

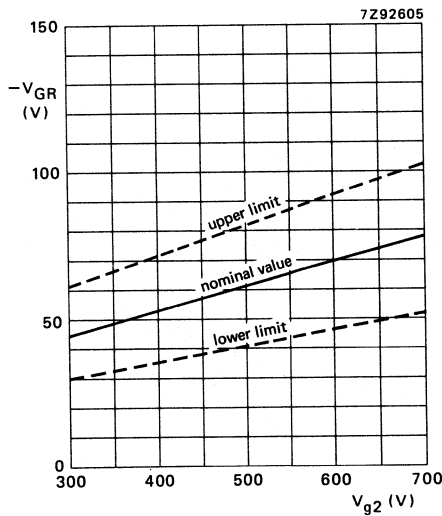
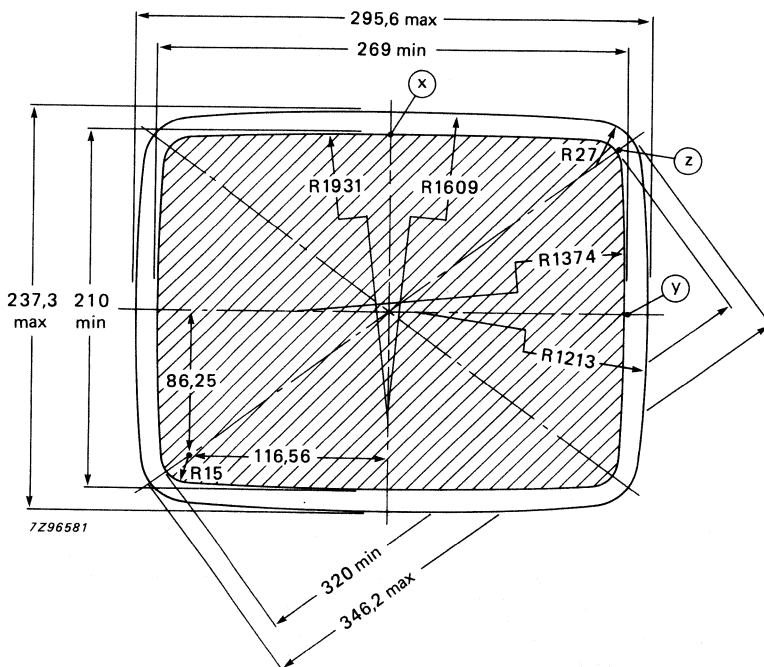
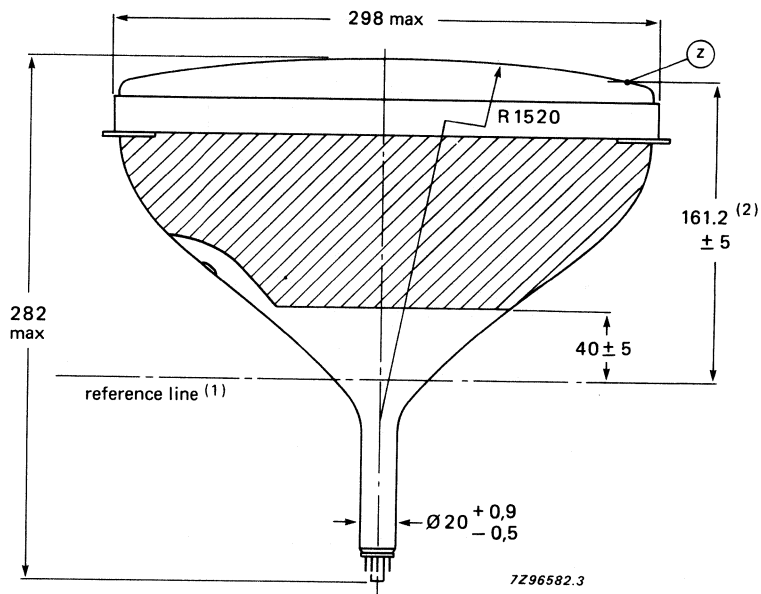


Fig.6 Limits of grid 1 cut-off voltage as a function of grid 2 voltage.
Grid drive; $V_{a,g3,g5} = 14$ kV.

$$\frac{\Delta V_{GR}}{\Delta V_{a,g3,g5}} = 0,9 \times 10^{-3}$$

DIMENSIONAL DATA

Dimensions in mm



- (1) The reference line is determined by the plane of the upper edge of reference line gauge D when the gauge is resting on the cone.
- (2) If NEG type, this value changes to 162.9 ± 5 .

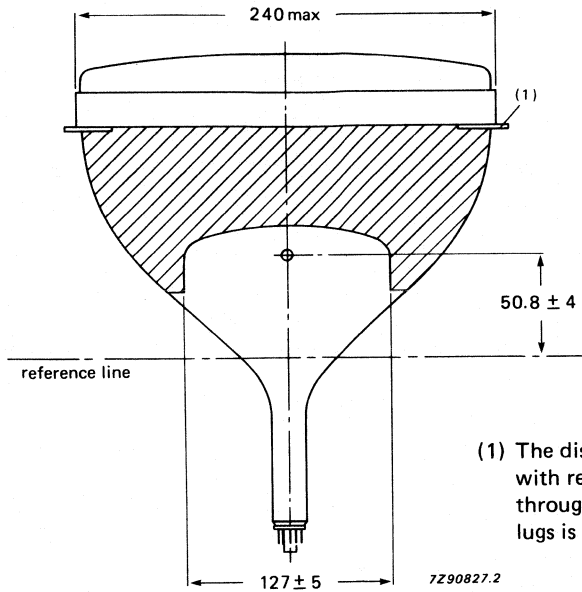


Fig.9.

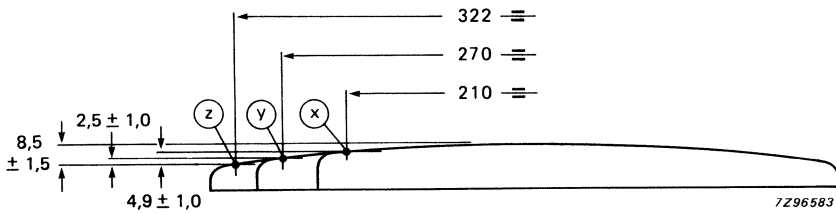


Fig.10 Screen reference points.

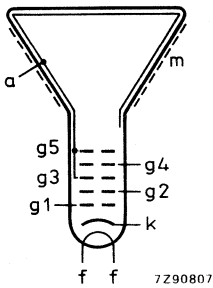


Fig.11 Electrode configuration.

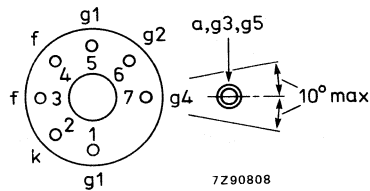


Fig.12 Pin arrangement.

Front view and lug dimensions of tube M32ECB

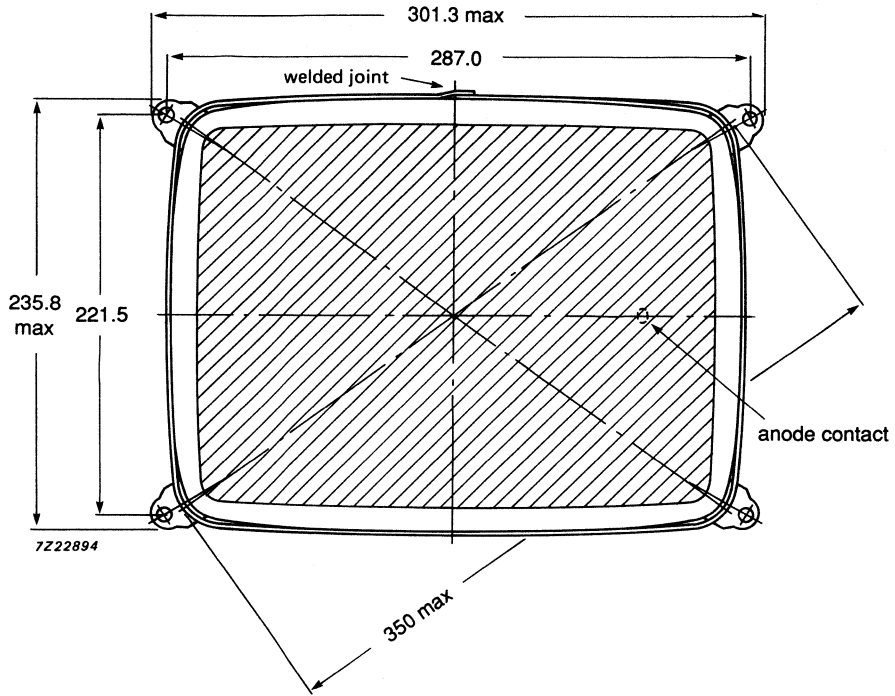


Fig.15 Tube mounting dimensions; front view.

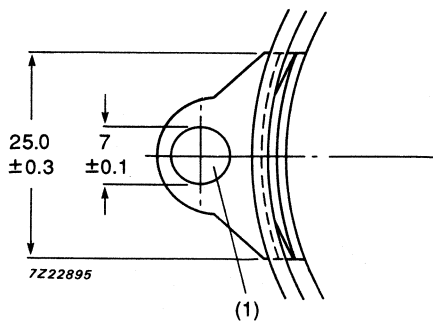


Fig.16 Lug dimensions.

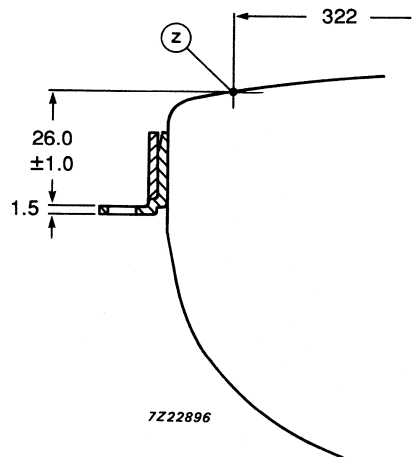


Fig.17 Lug position.

(1) The mounting screws in the cabinet must be situated inside a circle of 4 mm diameter drawn around the true geometrical positions i.e. at the corners of a rectangle of 287,0 mm x 221,5 mm.

Maximum cone contour

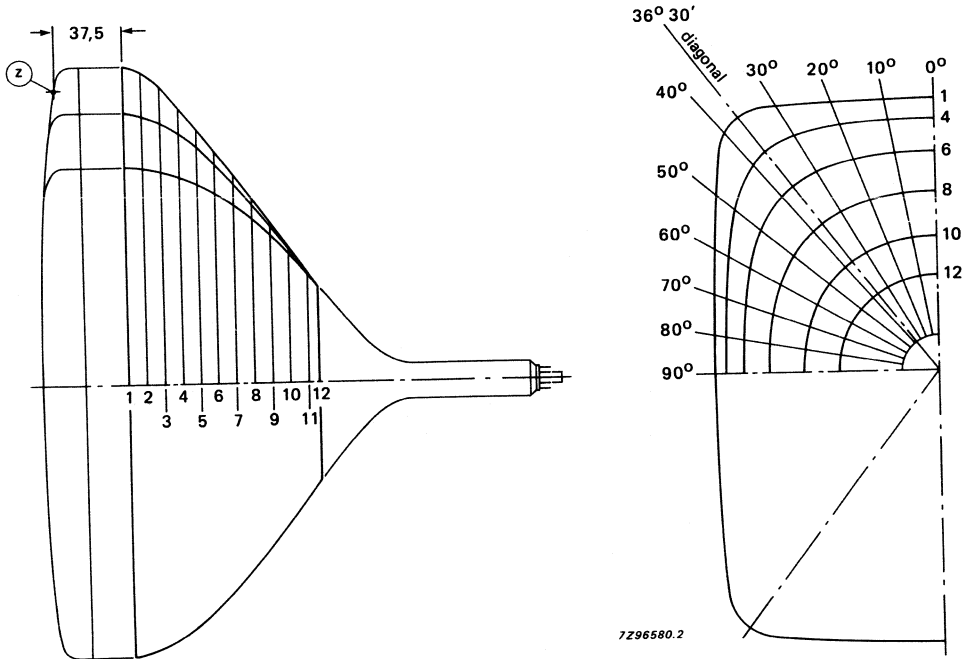


Fig.18 Cone contour.

sec- tion	nom. distance from section 1	max. distance from centre										
		0,00	10,00	20,00	30,00	36,50	40,00	50,00	60,00	70,00	80,00	90,00
1	0	147,75	149,80	156,19	167,63	173,43	171,77	151,39	135,49	125,67	120,31	118,60
2	10	146,15	148,17	154,42	165,14	170,27	168,65	149,73	134,26	124,62	119,34	117,66
3	20	142,36	144,25	149,91	158,20	161,07	159,63	145,28	131,24	122,14	117,11	115,50
4	30	136,49	138,18	142,87	148,45	149,74	148,65	138,71	126,91	118,58	113,89	112,39
5	40	128,75	130,16	133,72	137,36	137,91	137,07	130,27	121,08	113,85	109,61	108,23
6	50	119,35	120,49	123,12	125,56	125,86	125,30	120,77	113,97	108,01	104,28	103,05
7	60	108,70	109,58	111,51	113,24	113,50	113,19	110,37	105,66	101,04	97,92	96,84
8	70	97,64	98,27	99,58	100,70	100,90	100,74	99,10	96,11	92,85	90,43	89,53
9	80	86,29	86,69	87,45	88,06	88,14	88,04	87,11	85,36	83,31	81,62	80,93
10	90	74,00	74,26	74,72	75,09	75,14	75,10	74,60	73,64	72,44	71,37	70,90
11	100	60,59	60,78	61,12	61,41	61,51	61,52	61,35	60,93	60,34	59,78	59,50
12	110	51,89	51,97	52,09	52,20	52,23	52,24	52,19	52,07	51,90	51,73	51,64

DEVELOPMENT DATA

This data sheet contains advance information and specifications are subject to change without notice.

M36ECJ

FLAT SQUARE HIGH RESOLUTION MONOCHROME MONITOR TUBE

- For Data Graphic Displays
- 110° deflection angle
- 38 cm (15 in) face diagonal; rectangular glass
- 1200 mm radius of screen curvature
- 28,6 mm neck diameter
- Integral implosion protection

QUICK REFERENCE DATA

Deflection angle	110°
Face diagonal	38 cm (15 in)
Overall length	max. 287 mm
Neck diameter	28,6 mm
Heating	6,3 V/240 mA
Quick heating cathode	with a typical tube a legible picture will appear within 5 s
Grid 2 voltage	400 V
Anode voltage	17 kV
Resolution	approx. 1500 lines



APPLICATION

This high resolution tube is for alpha-numeric and graphic display applications, such as computer terminals, small business computers, etc.

AVAILABLE VERSIONS

The tube can be supplied with different phosphors and anti-reflective treatments, see "High resolution monochrome monitor tubes, General".

ELECTRICAL DATA

Focusing method	electrostatic
Deflection method	magnetic
Deflection angles	
diagonal	approx. 110°
horizontal	approx. 97°
vertical	approx. 80°
Interelectrode capacitances	
cathode to all other electrodes	max. 4 pF
grid 1 to all other electrodes	max. 9 pF
Capacitance of external conductive coating to anode*	max. 1200 pF min. 600 pF
Heater voltage	6,3 V
Heater current at 6,3 V	240 mA

OPTICAL DATA

Phosphor type	see "High resolution monochrome monitor tubes, General"
Light transmission at screen centre	approx. 34%

RASTER CENTRING

The field intensity perpendicular to the tube axis should be adjustable from 0 to 800 A/m. For optimum overall sharpness it is recommended to centre the raster electrically via the deflection coils.

* Implosion protection hardware connected to external conductive coating.

MECHANICAL DATA (see also the figures under Dimensional Data)

Overall length	max. 276 mm
Greatest dimensions of tube	
diagonal	396 mm
width	332 mm
height	267 mm
Minimum useful screen dimensions (projected)	
diagonal	363 mm
horizontal axis	296 mm
vertical axis	229 mm
area	670 cm ²
Implosion protection	rimband
Bulb	EIAJ-JB390AA03
Bulb contact designation	IEC 67-III-2, EIAJ1-21
Base designation	EIA-B7-208; IEC 67-1-31a
Basing	8HR
Mass	approx. 5,8 kg

DEVELOPMENT DATA

RATINGS (Absolute Maximum System)

Unless otherwise specified voltage values are positive and measured with respect to grid 1.

Anode voltage	max. 19 kV	
	min. 13 kV	
Grid 4 (focusing electrode) voltage	-200 to + 1000 V	←
Grid 2 voltage	max. 700 V	
Anode current		
long-term average value	max. 100 μA	←
peak value	max. 300 μA	
Cathode voltage, positive peak value	max. 400 V	
Heater voltage	6,3 V ± 10%*	
Cathode-to-heater voltage	max. 100 V	

* For maximum cathode life it is recommended that the heater supply be regulated at 6,3 V ^{+ 0%}/_{-5%}.

CIRCUIT DESIGN VALUES

Grid 4 current	
positive	max. 25 μ A
negative	max. 25 μ A
Grid 2 current	
positive	max. 5 μ A
negative	max. 5 μ A

MAXIMUM CIRCUIT VALUES

Resistance between cathode and heater	max. 1,0 M Ω
Impedance between cathode and heater	max. 0,1 M Ω
Grid 1 circuit resistance	max. 1,5 M Ω
Grid 1 circuit impedance	max. 0,5 M Ω

TYPICAL OPERATING CONDITIONS

Cathode drive; voltages specified with respect to grid 1

Anode voltage	17 kV
Grid 4 (focusing electrode) voltage	0 to 400 V*
Grid 2 voltage	400 V
Cathode cut-off voltage	40 to 70 V**

Grid drive; voltages specified with respect to cathode

Anode voltage	17 kV
Grid 4 (focusing electrode) voltage	0 to 400 V*
Grid 2 voltage	400 V
Grid 1 cut-off voltage	45 to 83 V**

RESOLUTION

The resolution is approx. 1500 lines. It is measured at the screen centre:

- with shrinking raster method,
- at light output 68,5 cd/m² (20 foot lambert) and raster dimensions 267 mm x 200 mm,
- at $V_{g2} = 700$ V and anode voltage = 17 kV,
- with phosphor type W (WW),
- without anti-glare treatment of screen surface.

X-RADIATION CHARACTERISTIC

X-radiation emitted will not exceed 0,5 mR/h throughout the useful life of the tube, when operated within the given ratings.

- * Measured at screen centre on spot at anode current = 250 μ A (peak), anode voltage = 17 kV, grid 2 voltage = 400 V.

Dynamic focus (only for optimization):

typical correction for a video field of H x V = 267 mm x 200 mm (landscape format):

line parabola 350 V, field parabola 100 V;

typical correction for a video field of H x V = 200 mm x 267 mm (portrait format):

line parabola 200 V, field parabola 250 V.

- ** Visual extinction of focused raster.

DEVELOPMENT DATA

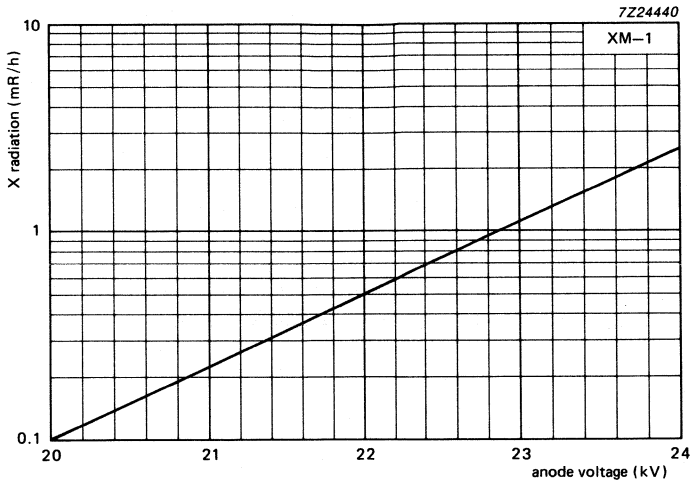


Fig. 1 X-radiation limit curve according to JEDEC 94, at a constant anode current of 250 μ A, measured according to TEPAC103A.

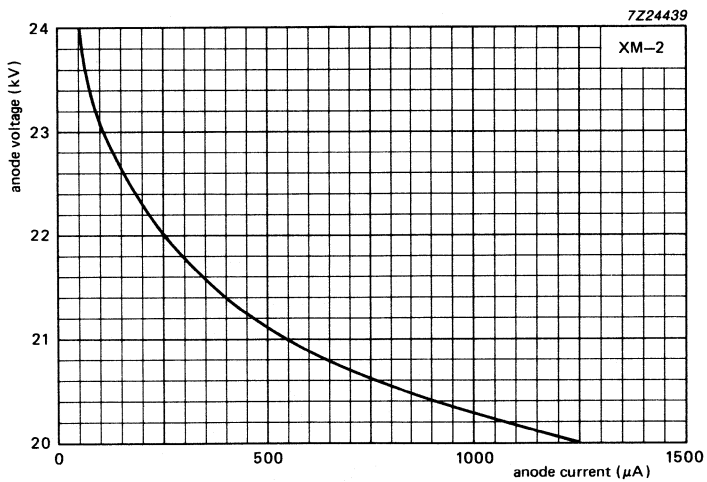


Fig. 2 0,5 mR/h isoexposure-rate limit curve, according to JEDEC 94, measured according to TEPAC103A.

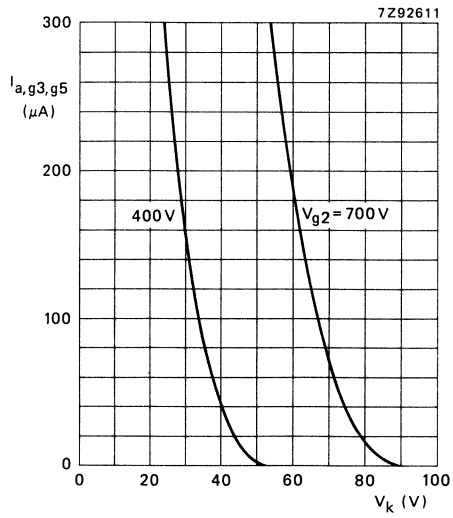


Fig. 3 Anode current as a function of cathode voltage. Cathode drive; $V_{a,g3,g5} = 17\text{ kV}$.

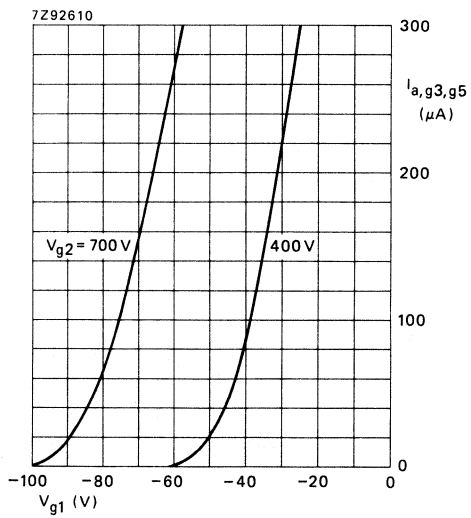


Fig. 4 Anode current as a function of grid 1 voltage. Grid drive; $V_{a,g3,g5} = 17\text{ kV}$.

DEVELOPMENT DATA

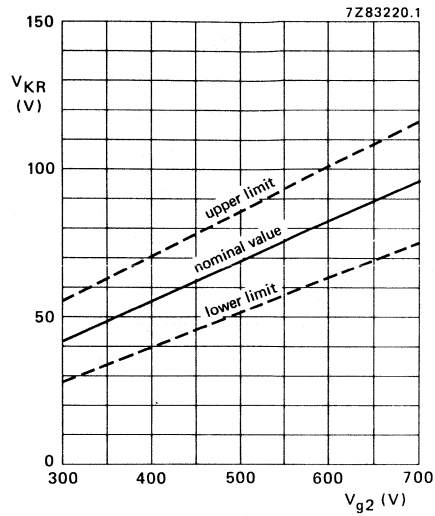


Fig. 5 Limits of cathode raster cut-off voltage as a function of grid 2 voltage. Cathode drive; $V_{a,g3,g5} = 17$ kV.

$$\frac{\Delta V_{KR}}{\Delta V_{a,g3,g5}} = 0,15 \times 10^{-3}$$

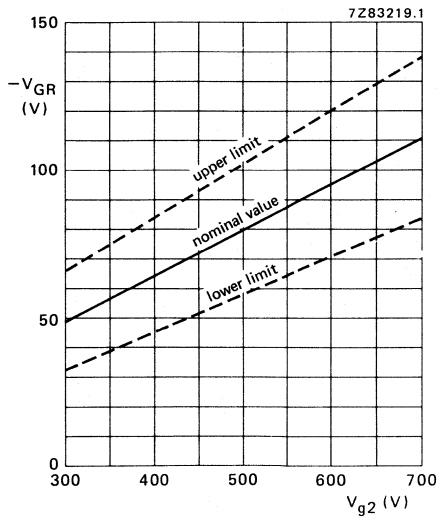
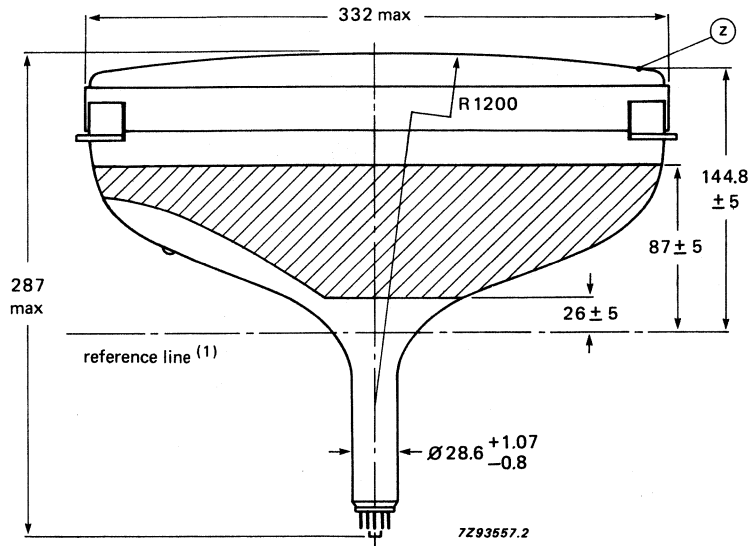


Fig. 6 Limits of grid 1 raster cut-off voltage as a function of grid 2 voltage. Grid drive; $V_{a,g3,g5} = 17$ kV.

$$\frac{\Delta V_{GR}}{\Delta V_{a,g3,g5}} = 0,15 \times 10^{-3}$$

DIMENSIONAL DATA

Dimensions in mm



→ Fig. 7.

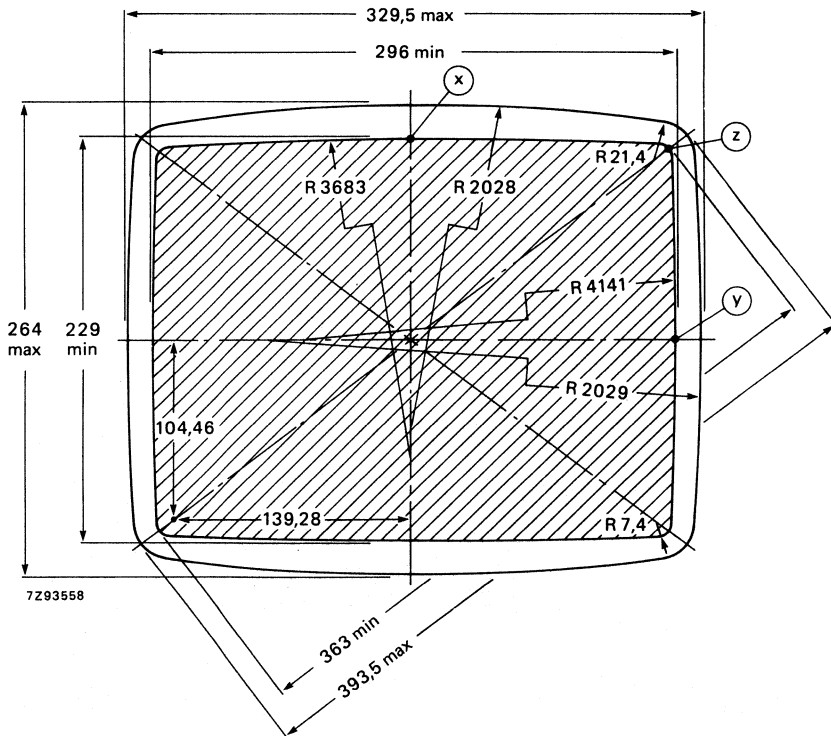


Fig. 8.

(1) The reference line is determined by the plane of the upper edge of reference line gauge C when the gauge is resting on the cone.

DEVELOPMENT DATA

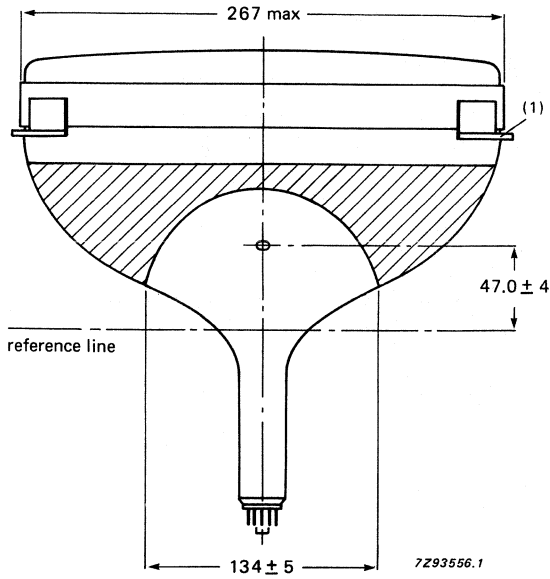


Fig. 9.

(1) The displacement of any lug with respect to the plane through the other three lugs is max. 1,5 mm.

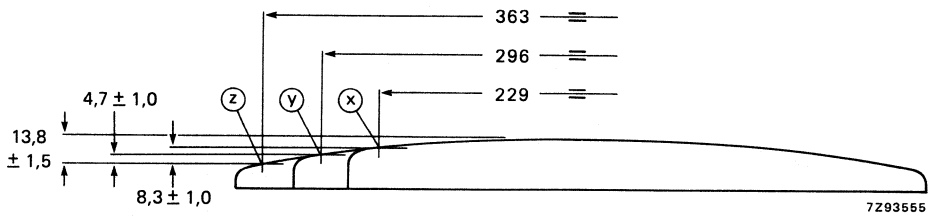


Fig. 10 Screen reference points.

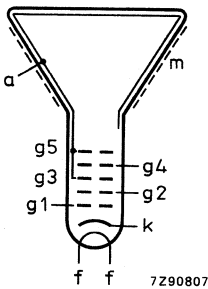


Fig. 11 Electrode configuration.

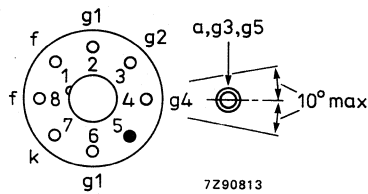


Fig. 12 Pin arrangement; bottom view.

Front view and lug dimensions

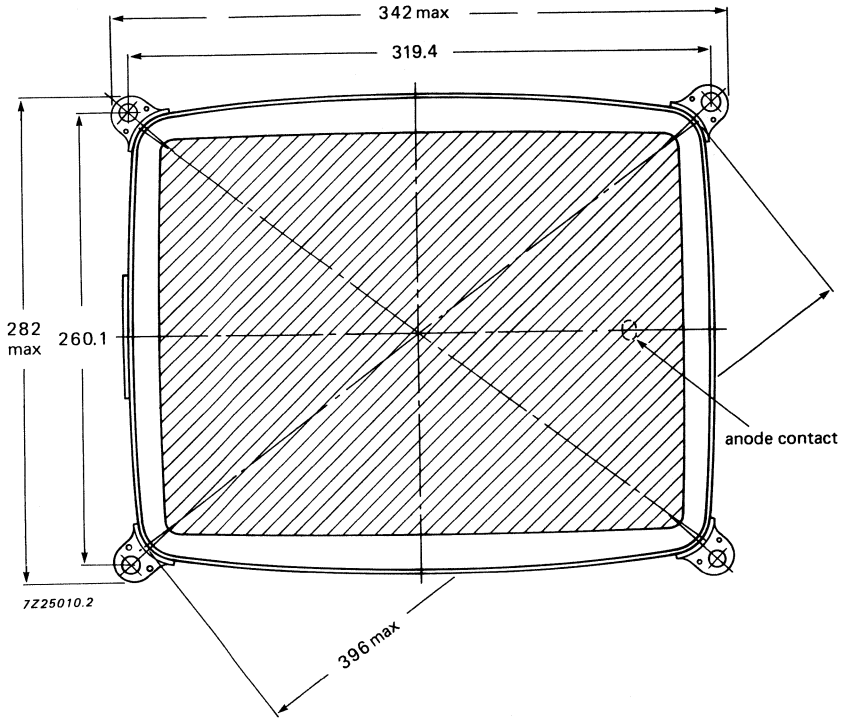


Fig. 13 Tube mounting dimensions; front view.

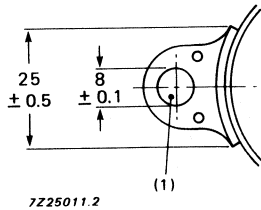


Fig. 14 Lug dimensions.

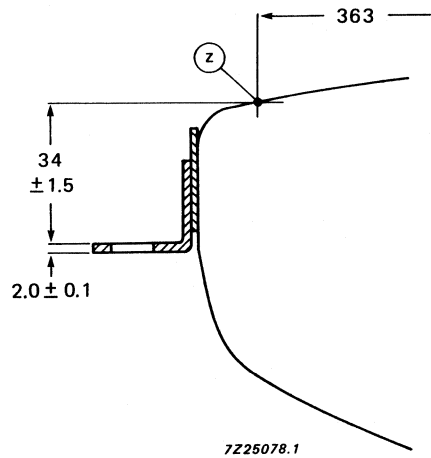


Fig. 15 Lug position.

(1) The mounting screws in the cabinet must be situated inside a circle of 5 mm diameter drawn around the true geometrical positions i.e. at the corners of a rectangle of 319,4 mm x 260,1 mm.

Maximum cone contour.

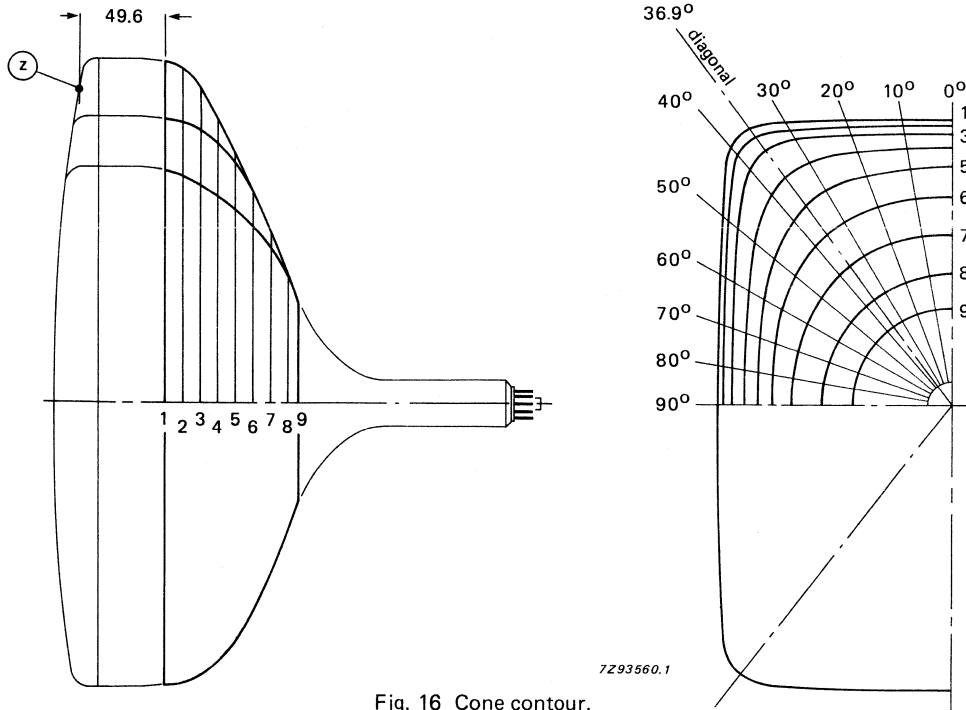


Fig. 16 Cone contour.

DEVELOPMENT DATA

Table 1 Contour data.

sec- tion	nom. distance from section 1	max. distance from centre										
		0°	10°	20°	30°	diag.	40°	50°	60°	70°	80°	90°
1	0	164,4	166,7	174,0	187,2	196,5	194,1	168,0	150,4	139,5	133,6	131,7
2	10	162,5	164,8	171,9	184,8	193,4	190,6	165,2	147,9	137,2	131,3	129,5
3	20	157,6	159,7	166,3	177,4	182,4	179,2	157,5	141,4	131,4	125,8	124,1
4	30	149,7	151,5	156,5	162,6	162,6	160,2	145,9	132,6	123,8	118,9	117,4
5	40	138,1	139,3	141,8	143,0	141,4	139,8	131,7	122,7	115,7	111,6	110,2
6	50	121,0	121,4	121,9	121,4	120,0	119,1	115,1	110,3	105,9	102,9	101,8
7	60	99,2	99,3	99,4	99,0	98,4	98,1	96,6	94,7	92,7	91,2	90,5
8	70	76,2	76,2	76,2	76,0	75,9	75,8	75,5	75,2	74,7	74,4	74,2
9	75, 39	57,8	57,8	57,8	57,8	57,8	57,8	57,8	57,8	57,8	57,8	57,8

HIGH RESOLUTION MONOCHROME MONITOR TUBES

- For Data Graphic Displays
- 110° deflection angle
- 38 cm (15 in) face diagonal; rectangular glass
- 28,6 mm neck diameter
- Integral implosion protection

QUICK REFERENCE DATA

Deflection angle	110°
Face diagonal	38 cm (15 in)
Overall length	max. 290 mm
Neck diameter	28,6 mm
Heating	6,3 V/240 mA
Quick heating cathode	with a typical tube a legible picture will appear within 5 s
Grid 2 voltage	400 V
Anode voltage	17 kV
Resolution	approx. 1500 lines

APPLICATION

These high resolution tubes are for alphanumeric and graphic display applications, such as computer terminals, small business computers, etc.

AVAILABLE VERSIONS

The following versions are available: M38-328, M38-330, M38-334, M38-336, M38-338 and M38-342.

Differences between the tubes can be found under 'Dimensional data'.

The tubes can be supplied with different phosphors and anti-reflective treatments, see 'High resolution monochrome monitor tubes, General'.

ELECTRICAL DATA

Focusing method	electrostatic
Deflection method	magnetic
Deflection angles	
diagonal	approx. 110°
horizontal	approx. 98°
vertical	approx. 81°
Direct interelectrode capacitances	
cathode to all other electrodes	max. 4 pF
grid 1 to all other electrodes	max. 9 pF
Capacitance of external conductive coating to anode*	max. 1200 pF
	min. 600 pF
Capacitance of external conductive coating to anode**	max. 1000 pF
	min. 500 pF
Capacitance of anode to implosion protection hardware**	approx. 200 pF
Heater voltage	6,3 V
Heater current at 6,3 V	240 mA

OPTICAL DATA

Phosphor type	see "High resolution monochrome monitor tubes, General"
Light transmission at screen centre	
tube with normal tinted face glass	approx. 46%
tube with dark tinted face glass	approx. 34%

RASTER CENTRING

The field intensity perpendicular to the tube axis should be adjustable from 0 to 800 A/m. For optimum overall sharpness it is recommended to centre the raster electrically via the deflection coils.

* Implosion protection hardware connected to external conductive coating.
** Implosion protection hardware not connected to external conductive coating.

MECHANICAL DATA (see also the figures under Dimensional Data)

Overall length	max. 279 mm
Greatest dimensions of tube	
diagonal	383 mm
width	324 mm
height	262 mm
Minimum useful screen dimensions (projected)	
diagonal	353 mm
horizontal axis	293 mm
vertical axis	229 mm
area	652 cm ²
Implosion protection	rimband
Bulb	EIAJ-JB370AB03 or EIAJ-JB370AB04
Bulb contact designation	IEC 67-III-2; EIA-J1-21
Base designation	IEC 67-1-31a; EIA-B7-208
Basing	8 HR
Mass	approx. 4 kg

RATINGS (Absolute Maximum System)

Unless otherwise specified voltage values are positive and measured with respect to grid 1.

Anode voltage	max. 19 kV	
	min. 13 kV	
Grid 4 (focusing electrode) voltage	-200 to +1000 V	←
Grid 2 voltage	max. 700 V	
Anode current		
long-term average value	max. 100 μ A	
peak value	max. 300 μ A	←
Cathode voltage, positive peak value	max. 400 V	
Heater voltage	6,3 V \pm 10%*	
Cathode-to-heater voltage	max. 100 V	

* For maximum cathode life it is recommended that the heater supply be regulated at 6,3 V $\begin{matrix} +0\% \\ -5\% \end{matrix}$.

CIRCUIT DESIGN VALUES

Grid 4 current	
positive	max. 25 μ A
negative	max. 25 μ A
Grid 2 current	
positive	max. 5 μ A
negative	max. 5 μ A

MAXIMUM CIRCUIT VALUES

Resistance between cathode and heater	max. 1,0 M Ω
Impedance between cathode and heater	max. 0,1 M Ω
Grid 1 circuit resistance	max. 1,5 M Ω
Grid 1 circuit impedance	max. 0,5 M Ω

TYPICAL OPERATING CONDITIONS

Cathode drive; voltages specified with respect to grid 1

Anode voltage	17 kV
Grid 4 (focusing electrode) voltage	0 to 400 V*
Grid 2 voltage	400 V
Cathode cut-off voltage	40 to 70 V**

Grid drive; voltages specified with respect to cathode

Anode voltage	17 kV
Grid 4 (focusing electrode) voltage	0 to 400 V*
Grid 2 voltage	400 V
Grid 1 cut-off voltage	45 to 83 V**

RESOLUTION

The resolution is approx. 1500 lines. It is measured at the screen centre:

- with shrinking raster method,
- at light output 68,5 cd/m² (20 foot lambert) and raster dimensions 254 mm x 194 mm,
- at $V_{g2} = 700$ V and anode voltage = 17 kV,
- with phosphor type W (WW),
- with normal tinted face glass, without anti-glare treatment of screen surface.

X-RADIATION CHARACTERISTIC

X-radiation emitted will not exceed 0,5 mR/h throughout the useful life of the tube, when operated within the given ratings.

* Measured at screen centre on spot at anode current = 250 μ A (peak), anode voltage = 17 kV, grid 2 voltage = 400 V.

Dynamic focus (only for optimization): Typical correction for a video field of

H x V = 259 mm x 194 mm (landscape format): line parabola 300 V, field parabola 100 V;

H x V = 194 mm x 259 mm (portrait format): line parabola 200 V, field parabola 250 V.

** Visual extinction of focused raster.

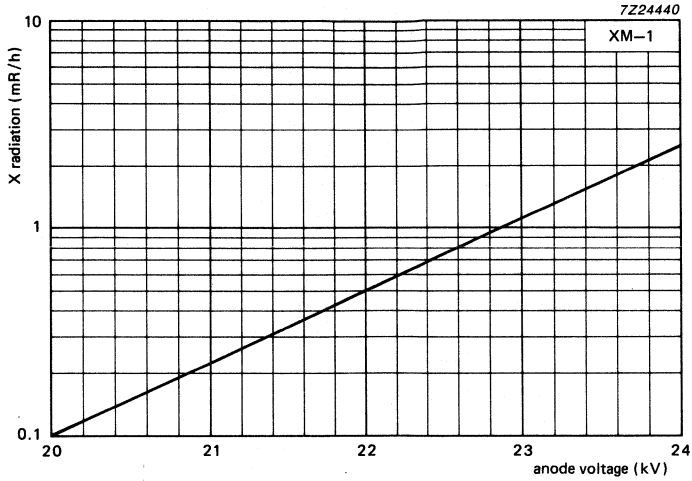


Fig. 1 X-radiation limit curve according to JEDEC 94, at a constant anode current of 250 μ A, measured according to TEPAC103A.

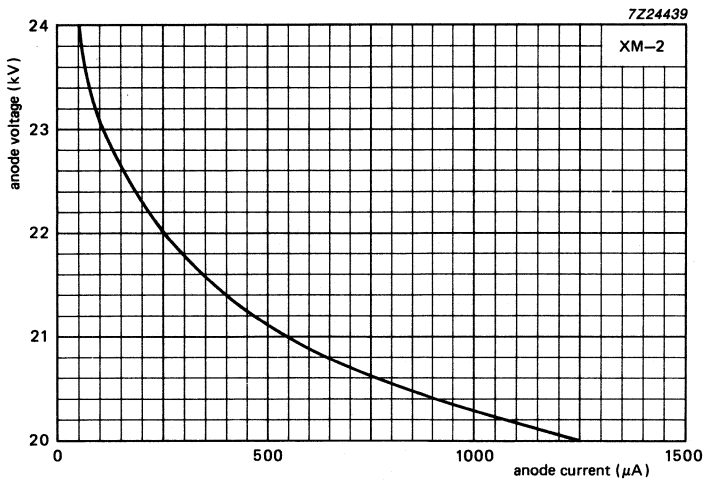


Fig. 2 0,5 mR/h isoexposure rate limit curve, according to JEDEC 94, measured according to TEPAC103A.

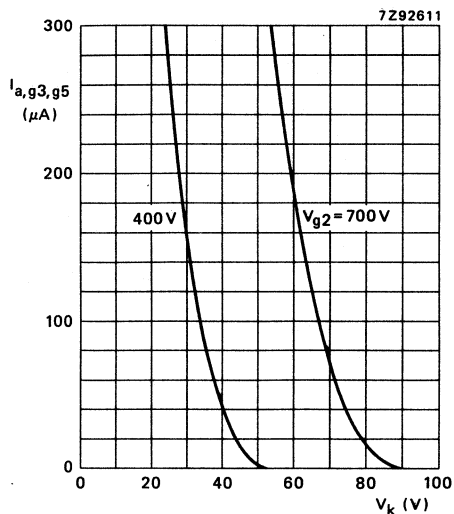


Fig. 3 Anode current as a function of cathode voltage.
Cathode drive; $V_{a,g3,g5} = 17$ kV.

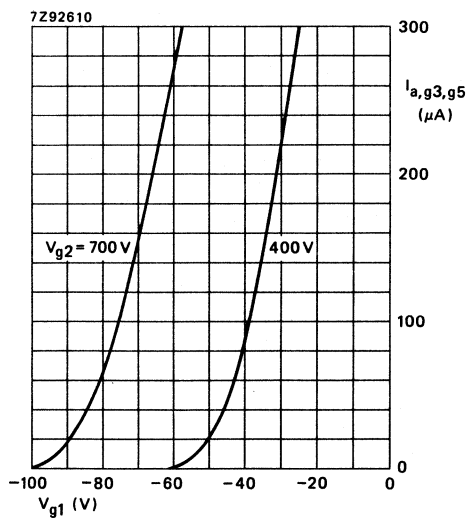


Fig. 4 Anode current as a function of grid 1 voltage.
Grid drive; $V_{a,g3,g5} = 17$ kV.

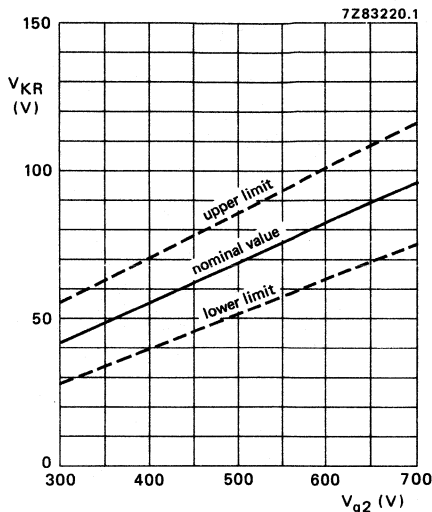


Fig. 5 Limits of cathode cut-off voltage as a function of grid 2 voltage.
 Cathode drive; $V_{a,g3,g5} = 17 \text{ kV}$.

$$\frac{\Delta V_{KR}}{\Delta V_{a,g3,g5}} = 0,15 \times 10^{-3}$$

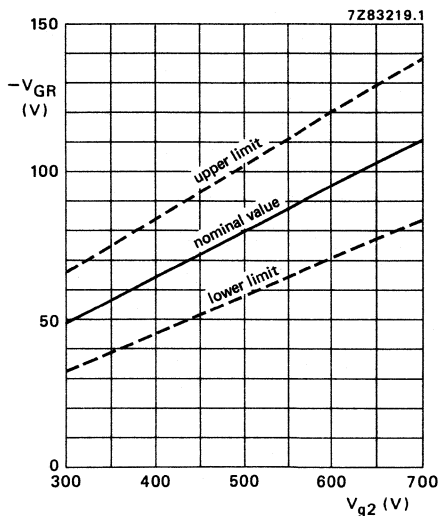


Fig. 6 Limits of grid 1 cut-off voltage as a function of grid 2 voltage.
 Grid drive; $V_{a,g3,g5} = 17 \text{ kV}$.

$$\frac{\Delta V_{GR}}{\Delta V_{a,g3,g5}} = 0,15 \times 10^{-3}$$

DIMENSIONAL DATA

Dimensions in mm

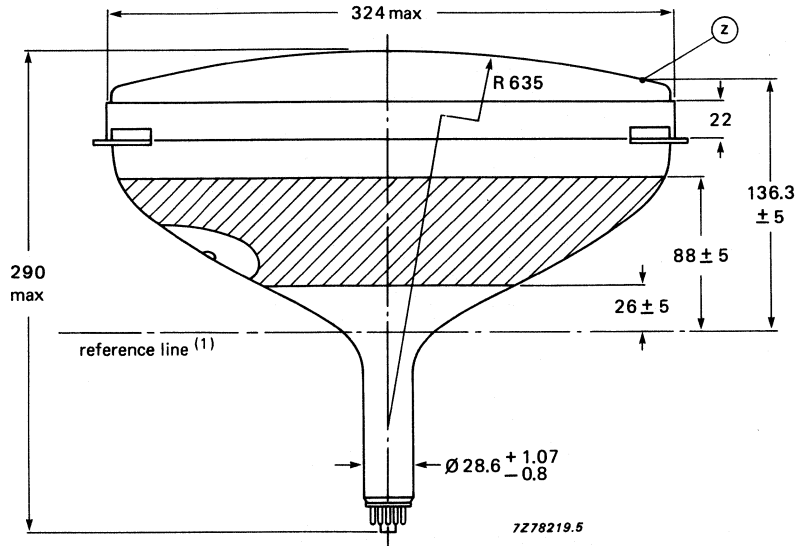


Fig. 7

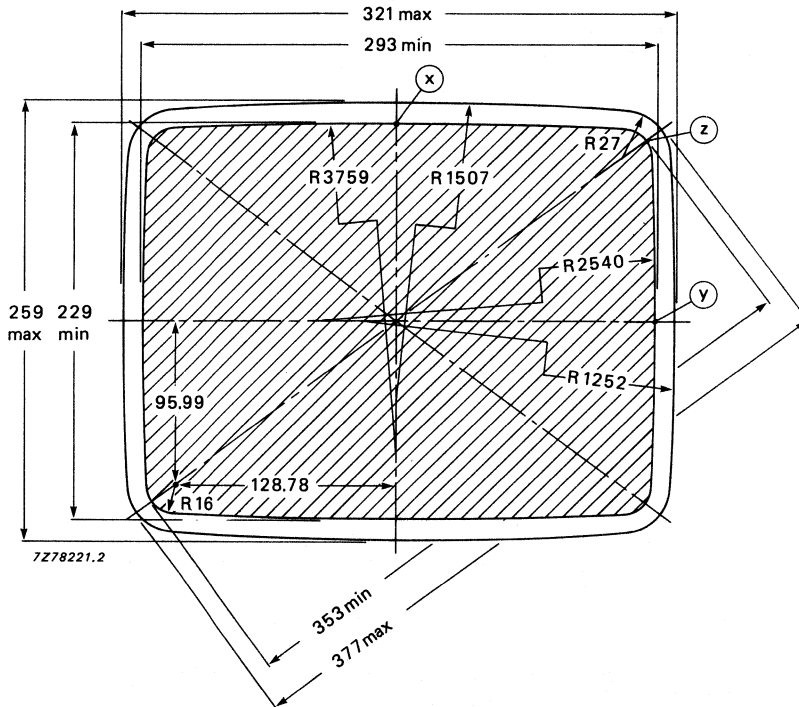


Fig. 8

(1) The reference line is determined by the plane of the upper edge of reference line gauge C when the gauge is resting on the cone.

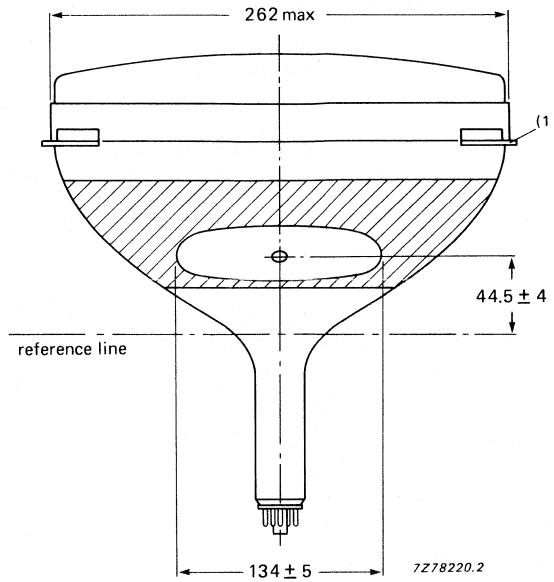


Fig. 9

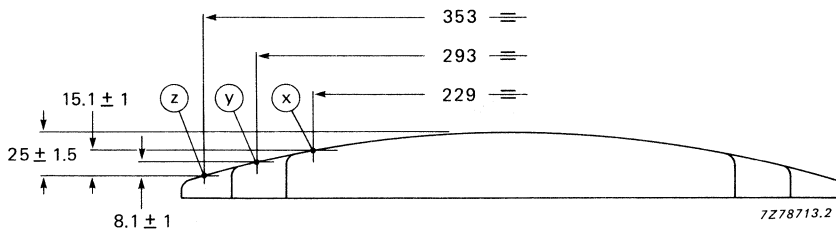


Fig. 10 Screen reference points.

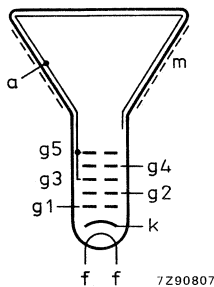


Fig. 11 Electrode configuration.

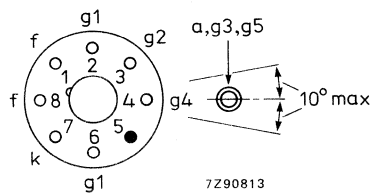


Fig. 12 Pin arrangement.

(1) The displacement of any lug with respect to the plane through the three other lugs is max. 1,5 mm.

Front view and lug dimensions of tube M38-328

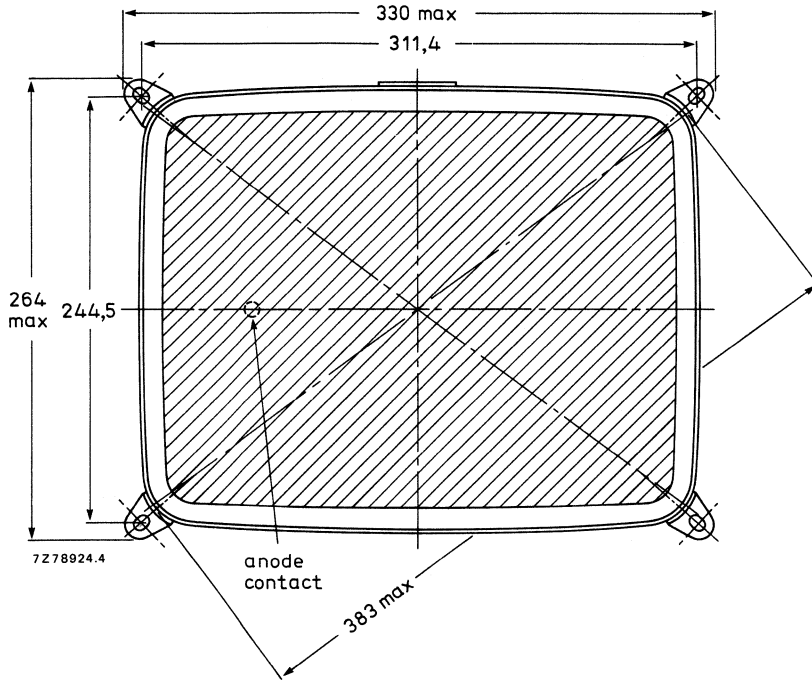


Fig. 13 Tube mounting dimensions; front view.

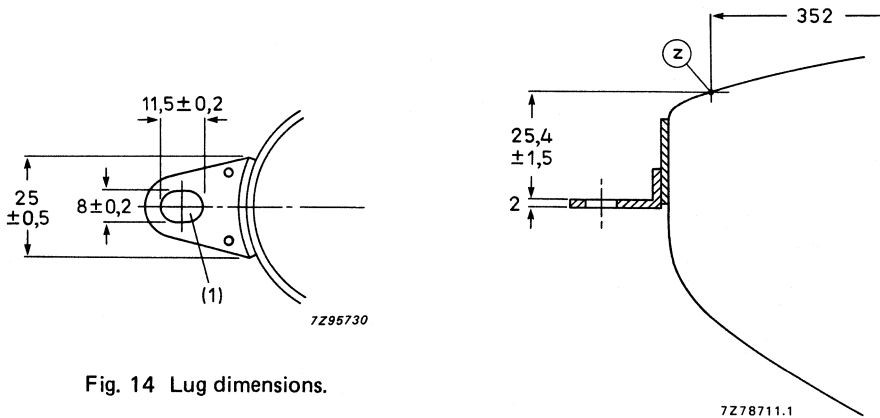


Fig. 14 Lug dimensions.

Fig. 15 Lug position.

(1) The mounting screws in the cabinet must be situated inside a circle of 5 mm diameter drawn around the true geometrical positions i.e. at the corners of a rectangle of 311,4 mm x 244,5 mm.

Front view and lug dimensions of tube M38-330

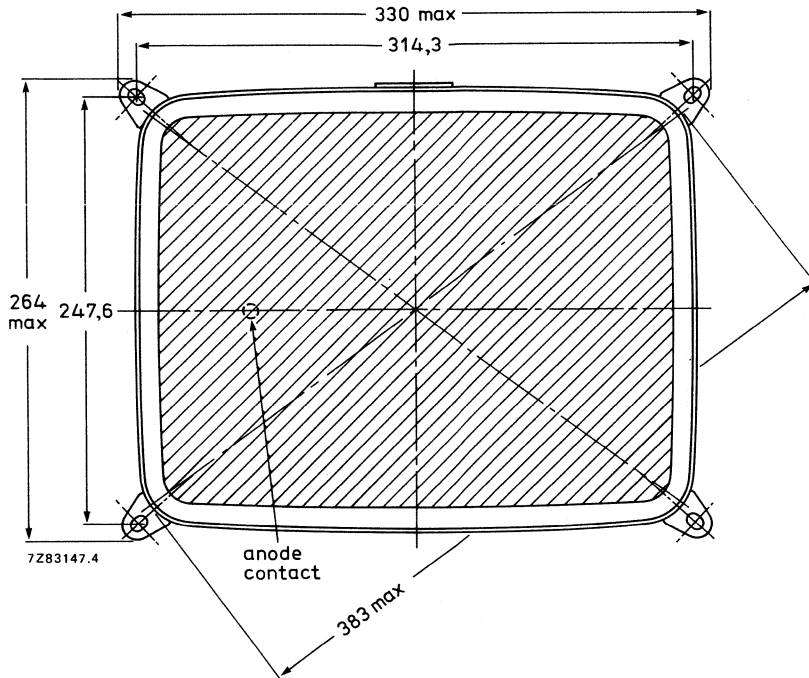


Fig. 16 Tube mounting dimensions; front view.

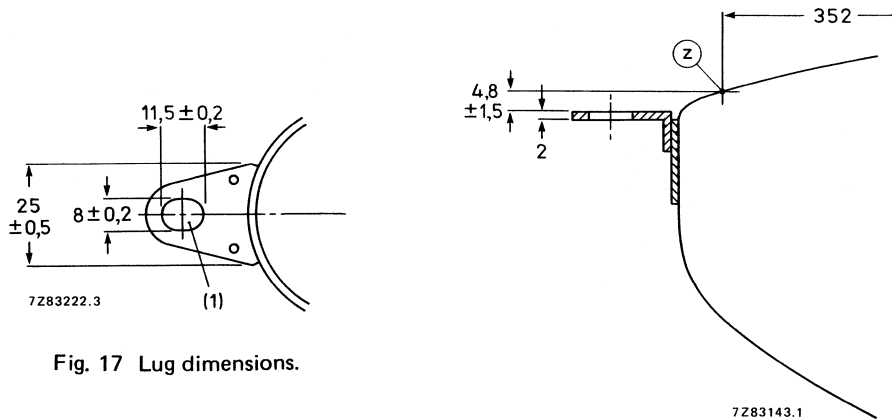


Fig. 17 Lug dimensions.

Fig. 18 Lug position.

(1) The mounting screws in the cabinet must be situated inside a circle of 5 mm diameter drawn around the true geometrical positions i.e. at the corners of a rectangle of 314,3 mm x 247,6 mm.

Front view and lug dimensions of tube M38-334

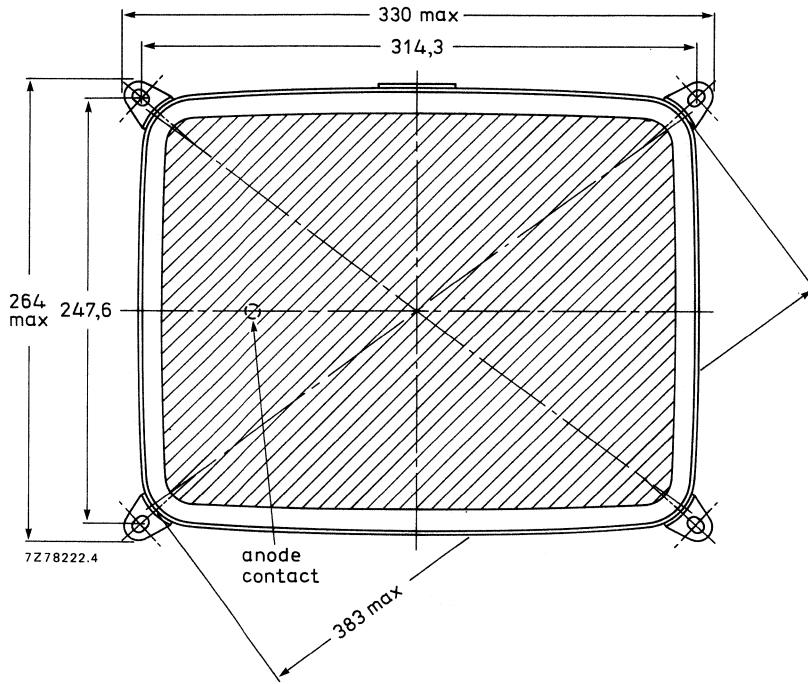


Fig. 19 Tube mounting dimensions; front view.

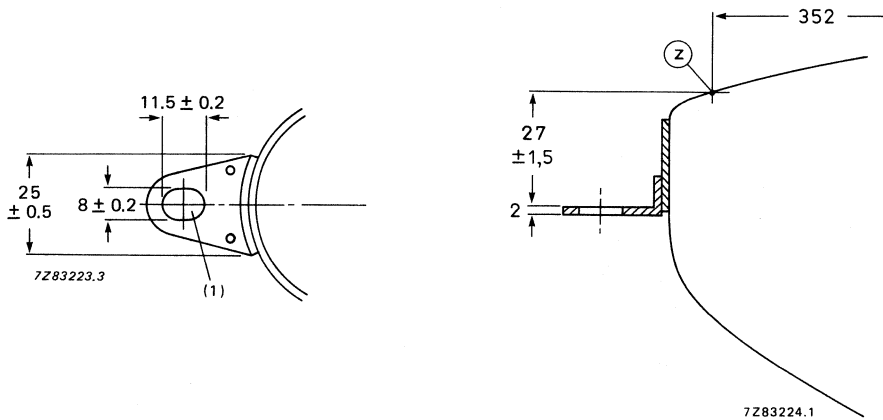


Fig. 20 Lug dimensions

Fig. 21 Lug position.

(1) The mounting screws in the cabinet must be situated inside a circle of 5 mm diameter drawn around the true geometrical positions i.e. at the corners of a rectangle of 314,3 mm x 247,6 mm.

Front view and lug dimensions of tube M38-336

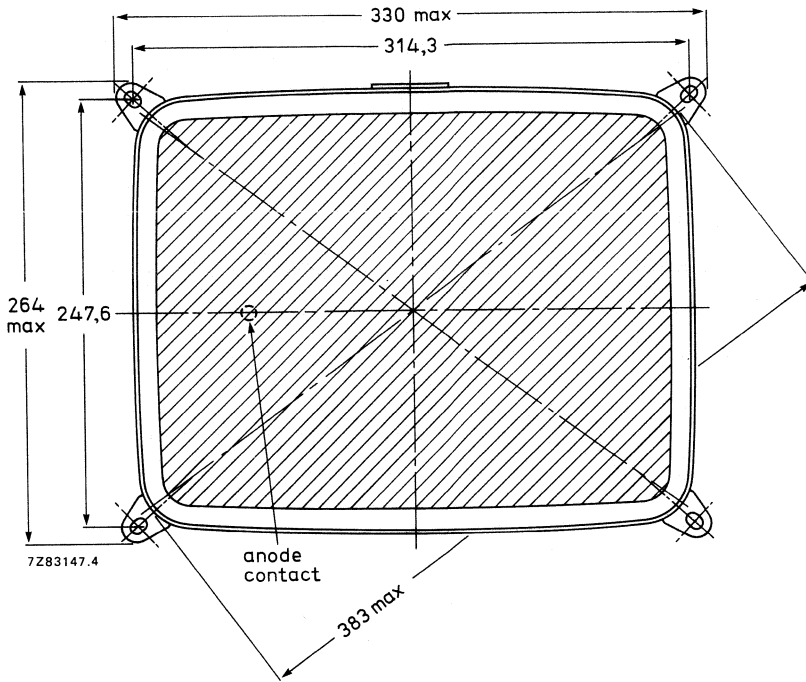


Fig. 22 Tube mounting dimensions; front view.

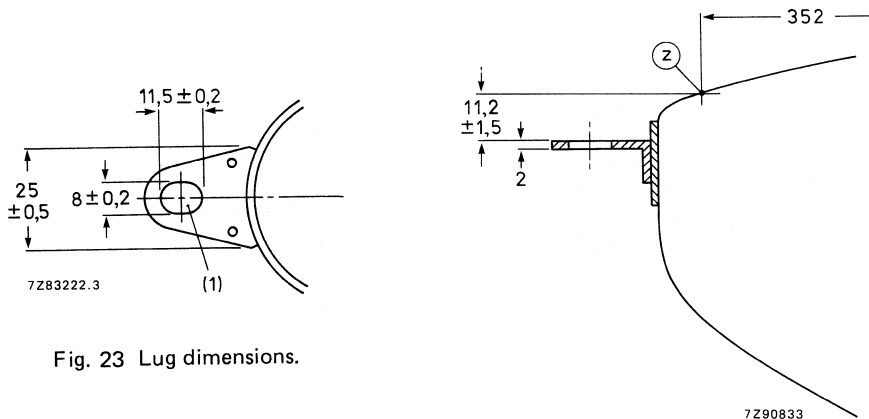


Fig. 23 Lug dimensions.

Fig. 24 Lug position.

(1) The mounting screws in the cabinet must be situated inside a circle of 5 mm diameter drawn around the true geometrical positions i.e. at the corners of a rectangle of 314,3 mm x 247,6 mm.

Front view and lug dimensions of tube M38-338

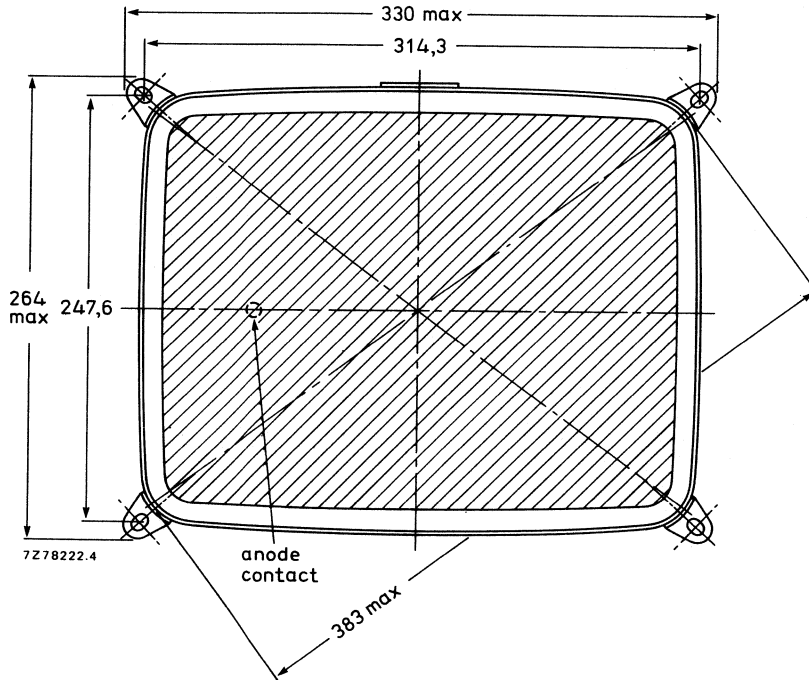


Fig. 25 Tube mounting dimensions; front view.

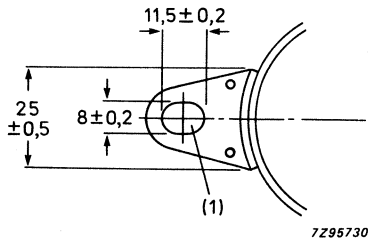


Fig. 26 Lug dimensions.

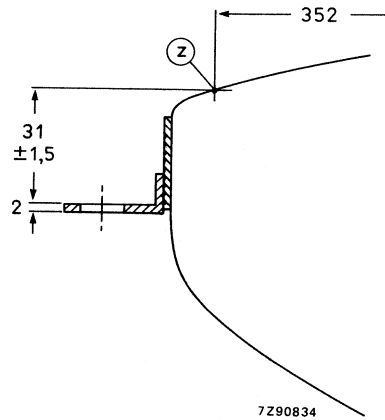


Fig. 27 Lug position.

(1) The mounting screws in the cabinet must be situated inside a circle of 5 mm diameter drawn around the true geometrical positions i.e. at the corners of a rectangle of 314,3 mm x 247,6 mm.

Front view and lug dimensions of tube M38-342

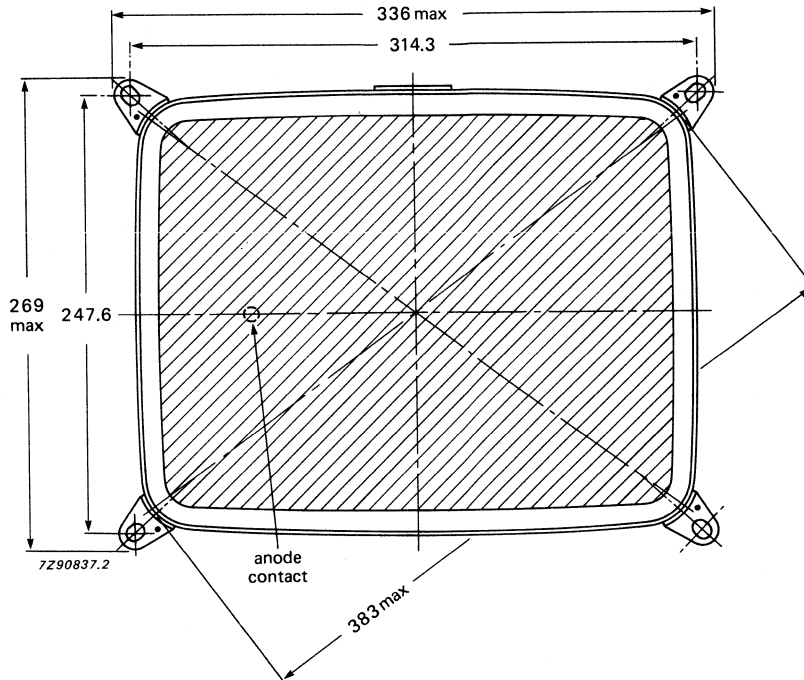


Fig. 28 Tube mounting dimensions; front view.

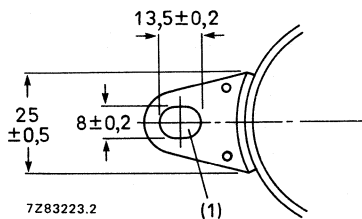


Fig. 29 Lug dimensions

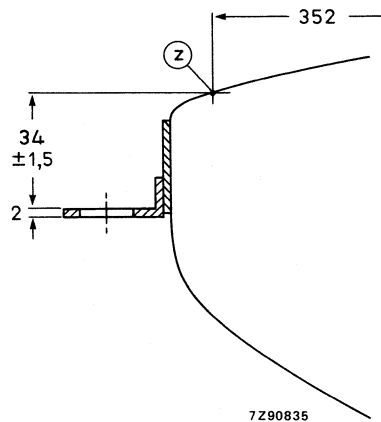


Fig. 30 Lug position.

(1) The mounting screws in the cabinet must be situated inside a circle of 5 mm diameter drawn around the true geometrical positions i.e. at the corners of a rectangle of 314,3 mm x 247,6 mm.

Maximum cone contour

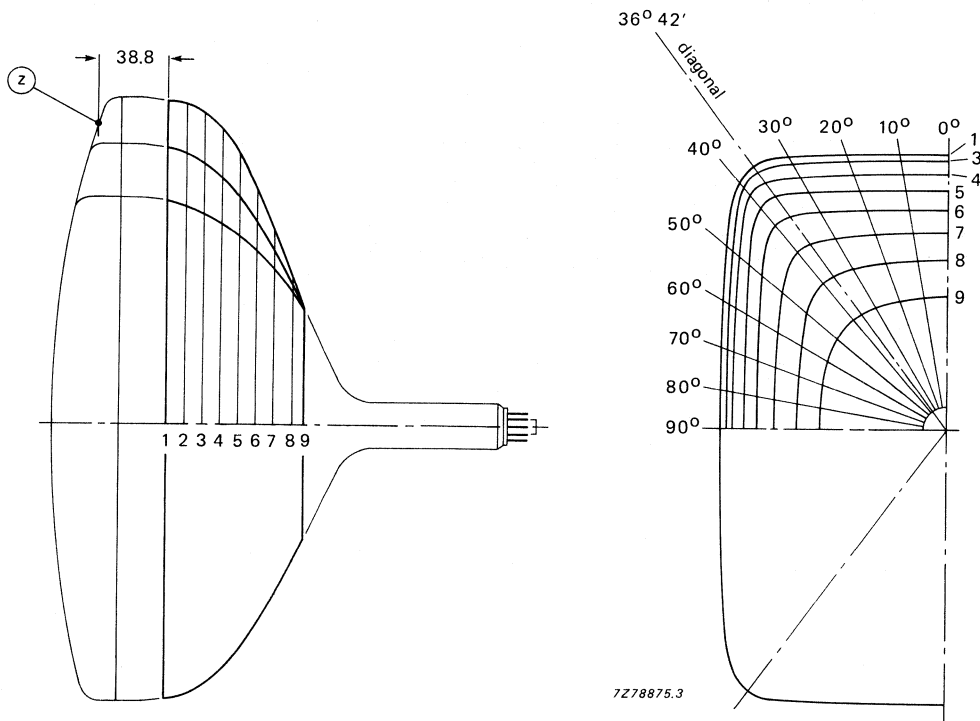


Fig. 31 Cone contour.

Table 1 Cone contour data

sec- tion	nom. distance from section 1	max. distance from centre										
		0°	10°	20°	30°	diag.	40°	50°	60°	70°	80°	90°
1	0	160,0	162,2	168,9	180,8	187,8	185,9	163,3	146,7	136,3	130,6	128,8
2	10	158,2	160,4	167,2	179,3	186,4	184,5	161,6	144,8	134,5	128,8	127,0
3	20	152,8	154,9	161,5	173,6	181,3	179,1	155,7	139,5	129,4	123,9	122,2
4	30	143,4	145,4	151,7	163,1	170,9	169,1	147,1	131,6	122,1	116,8	115,2
5	40	131,3	133,1	138,8	149,0	156,3	155,4	136,6	122,3	113,4	108,6	107,0
6	50	116,9	118,5	123,4	132,0	138,1	138,2	124,1	111,7	103,8	99,5	98,1
7	60	101,1	102,3	106,2	112,4	116,2	116,6	109,5	100,0	93,6	89,9	88,7
8	70	84,5	85,3	87,4	89,9	90,9	91,0	89,4	85,8	82,1	79,7	78,8
9	76,7	67,3	67,3	67,3	67,3	67,3	67,3	67,3	67,3	67,3	67,3	67,3

HIGH RESOLUTION MONOCHROME MONITOR TUBES

- For Data Graphic Displays
- 110° deflection angle
- 38 cm (15 in) face diagonal; rectangular glass
- 28,6 mm neck diameter
- Integral implosion protection

QUICK REFERENCE DATA

Deflection angle	110°
Face diagonal	38 cm (15 in)
Overall length	max. 290 mm
Neck diameter	28,6 mm
Heating	12 V/130 mA
Quick heating cathode	with a typical tube a legible picture will appear within 5 s
Grid 2 voltage	400 V
Anode voltage	17 kV
Resolution	approx. 1500 lines

APPLICATION

This high resolution tube is for alphanumeric and graphic display applications, such as computer terminals, small business computers, etc.

AVAILABLE VERSIONS

The following versions are available: M38-346 and M38-348. Differences between the tubes can be found under 'Dimensional data'.

The tube can be supplied with different phosphors and anti-reflective treatments, see "High resolution monochrome monitor tubes, General".

ELECTRICAL DATA

Focusing method	electrostatic
Deflection method	magnetic
Deflection angles	
diagonal	approx. 110°
horizontal	approx. 98°
vertical	approx. 81°
Direct interelectrode capacitances	
cathode to all other electrodes	max. 4 pF
grid 1 to all other electrodes	max. 9 pF
Capacitance of external conductive coating to anode*	max. 1200 pF
	min. 600 pF
Capacitance of external conductive coating to anode**	max. 1000 pF
	min. 500 pF
Capacitance of anode to implosion protection hardware**	approx. 200 pF
Heater voltage	12 V
Heater current at 12 V	130 mA

OPTICAL DATA

Phosphor type	see "High resolution monochrome monitor tubes, General"
Light transmission at screen centre	
tube with normal tinted face glass	approx. 46%
tube with dark tinted face glass	approx. 34%

RASTER CENTRING

The field intensity perpendicular to the tube axis should be adjustable from 0 to 800 A/m. For optimum overall sharpness it is recommended to centre the raster electrically via the deflection coils.

* Implosion protection hardware connected to external conductive coating.

** Implosion protection hardware not connected to external conductive coating.

MECHANICAL DATA (see also the figures under Dimensional Data)

Overall length	max. 279 mm
Greatest dimensions of tube	
diagonal	383 mm
width	324 mm
height	262 mm
Minimum useful screen dimensions (projected)	
diagonal	353 mm
horizontal axis	293 mm
vertical axis	229 mm
area	652 cm ²
Implosion protection	rimband
Bulb	EIAJ-JB370AB03 or EIAJ-JB370AB04
Bulb contact designation	IEC 67-III-2; EIA-J1-21
Base designation	IEC 67-1-31a; EIA-B7-208
Basing	8 HR
Mass	approx. 4 kg

RATINGS (Absolute Maximum System)

Unless otherwise specified voltage values are positive and measured with respect to grid 1.

Anode voltage	max. 19 kV	
	min. 13 kV	
Grid 4 (focusing electrode) voltage	-200 to +1000 V	←
Grid 2 voltage	max. 700 V	
Anode current		
long-term average value	max. 100 μA	←
peak value	max. 300 μA	
Cathode voltage, positive peak value	max. 400 V	
Heater voltage	12 V ± 10%*	
Cathode-to-heater voltage	max. 100 V	

* For maximum cathode life it is recommended that the heater supply be regulated at 12 V $\begin{matrix} +0\% \\ -5\% \end{matrix}$.

CIRCUIT DESIGN VALUES

Grid 4 current		
positive	max.	25 μ A
negative	max.	25 μ A
Grid 2 current		
positive	max.	5 μ A
negative	max.	5 μ A

MAXIMUM CIRCUIT VALUES

Resistance between cathode and heater	max.	1,0 M Ω
Impedance between cathode and heater	max.	0,1 M Ω
Grid 1 circuit resistance	max.	1,5 M Ω
Grid 1 circuit impedance	max.	0,5 M Ω

TYPICAL OPERATING CONDITIONS

Cathode drive; voltages specified with respect to grid 1

Anode voltage	17 kV
Grid 4 (focusing electrode) voltage	0 to 400 V*
Grid 2 voltage	400 V
Cathode cut-off voltage	40 to 70 V**

Grid drive; voltages specified with respect to cathode

Anode voltage	17 kV
Grid 4 (focusing electrode) voltage	0 to 400 V*
Grid 2 voltage	400 V
Grid 1 cut-off voltage	45 to 83 V**

RESOLUTION

The resolution is approx. 1500 lines. It is measured at the screen centre:

- with shrinking raster method,
- at light output 68,5 cd/m² (20 foot lambert) and raster dimensions 259 mm x 194 mm,
- at $V_{g2} = 700$ V and anode voltage = 17 kV,
- with phosphor type W (WW),
- with normal tinted face glass, without anti-glare treatment of screen surface.

X-RADIATION CHARACTERISTIC

X-radiation emitted will not exceed 0,5 mR/h throughout the useful life of the tube, when operated within the given ratings.

* Measured at screen centre on spot at anode current = 250 μ A (peak), anode voltage = 17 kV, grid 2 voltage = 400 V.

Dynamic focus (only for optimization): Typical correction for a video field of
 H x V = 259 mm x 194 mm (landscape format): line parabola 300 V, field parabola 100 V;
 H x V = 194 mm x 259 mm (portrait format): line parabola 200 V, field parabola 250 V.

** Visual extinction of focused raster.

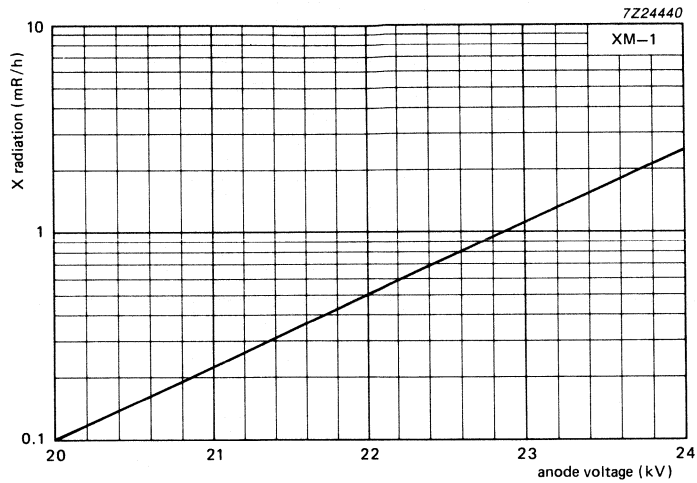


Fig. 1 X-radiation limit curve according to JEDEC 94, at a constant anode current of 250 μ A, measured according to TEPAC103A.

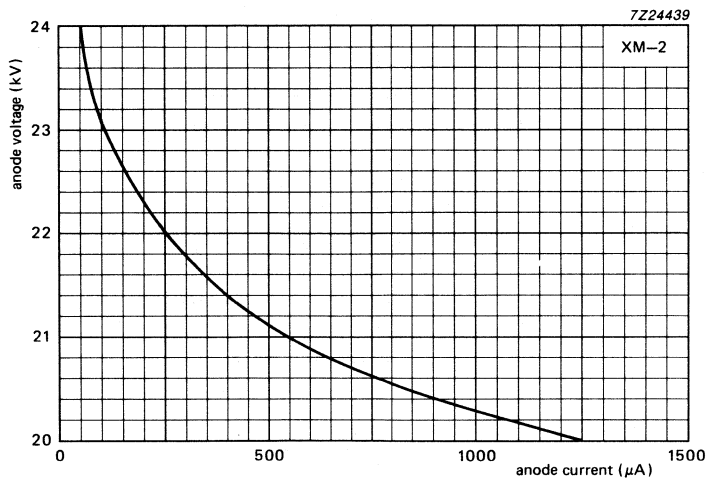


Fig. 2 0,5 mR/h isoexposure rate limit curve, according to JEDEC 94, measured according to TEPAC103A.

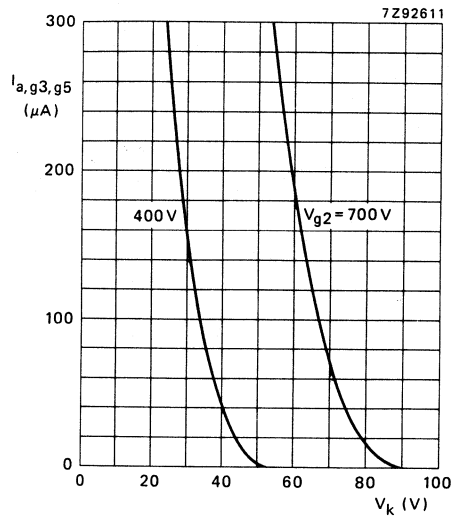


Fig. 3 Anode current as a function of cathode voltage.
Cathode drive; $V_{a,g3,g5} = 17$ kV.

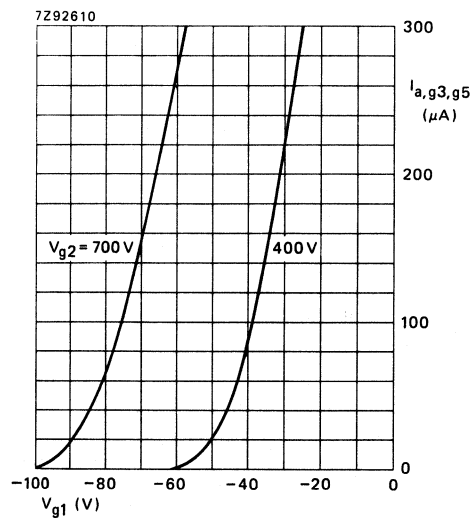


Fig. 4 Anode current as a function of grid 1 voltage.
Grid drive; $V_{a,g3,g5} = 17$ kV.

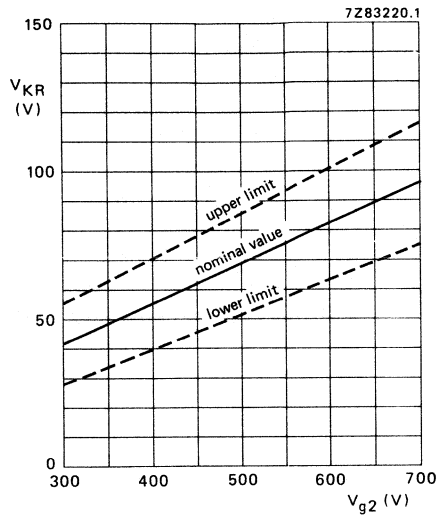


Fig. 5 Limits of cathode cut-off voltage as a function of grid 2 voltage. Cathode drive; $V_{a,g3,g5} = 17$ kV.

$$\frac{\Delta V_{KR}}{\Delta V_{a,g3,g5}} = 0,15 \times 10^{-3}$$

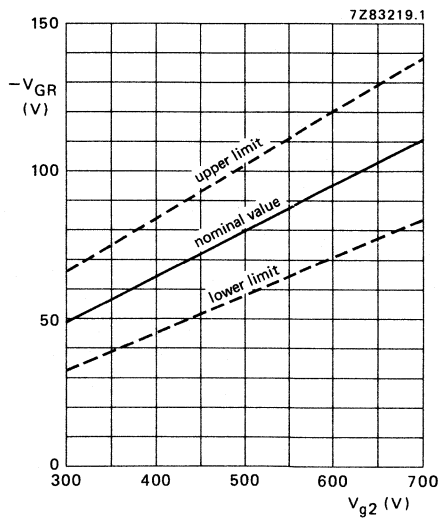
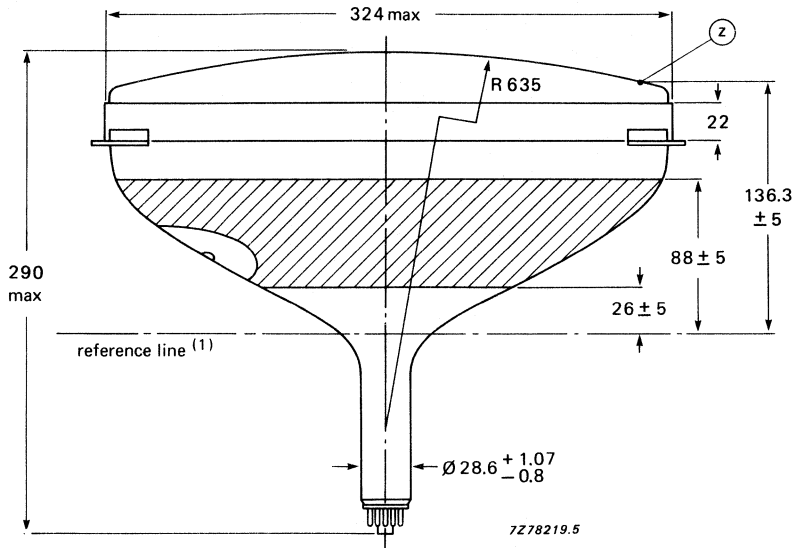


Fig. 6 Limits of grid 1 cut-off voltage as a function of grid 2 voltage. Grid drive; $V_{a,g3,g5} = 17$ kV.

$$\frac{\Delta V_{GR}}{\Delta V_{a,g3,g5}} = 0,15 \times 10^{-3}$$

DIMENSIONAL DATA

Dimensions in mm



→ Fig. 7.

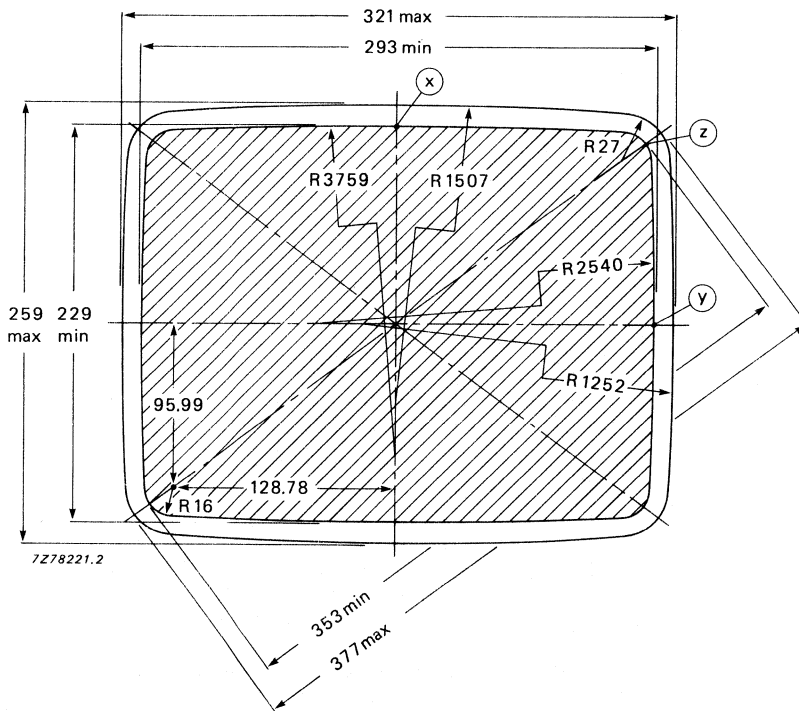


Fig. 8.

(1) The reference line is determined by the plane of the upper edge of reference line gauge C when the gauge is resting on the cone.

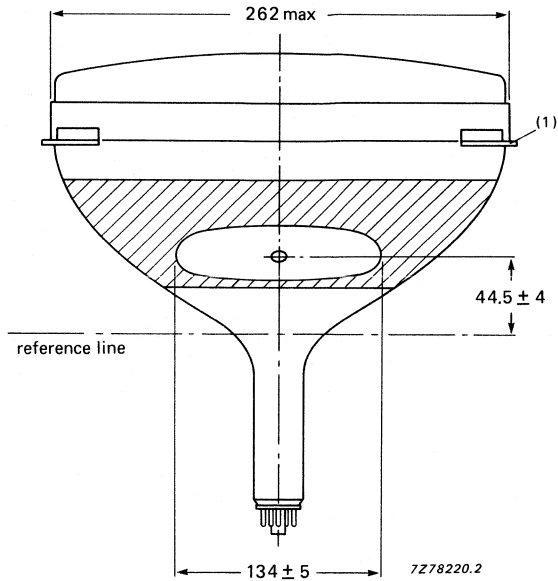


Fig. 9.

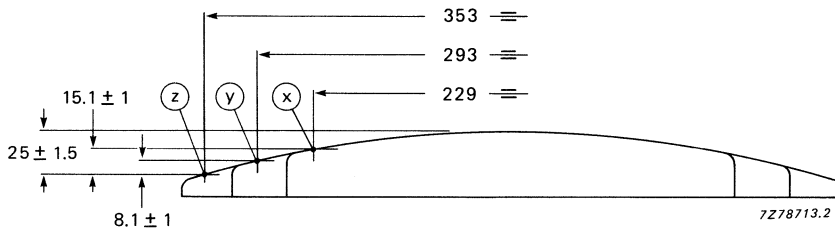


Fig. 10 Screen reference points.

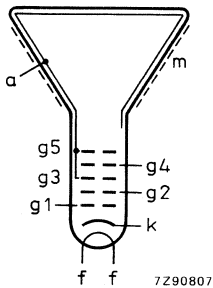


Fig. 11 Electrode configuration.

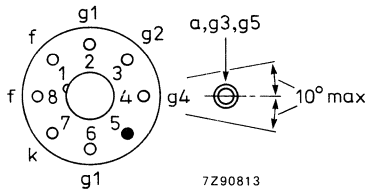


Fig. 12 Pin arrangement.

(1) The displacement of any lug with respect to the plane through the three other lugs is max. 1,5 mm.

Front view and lug dimensions of tube M38-346

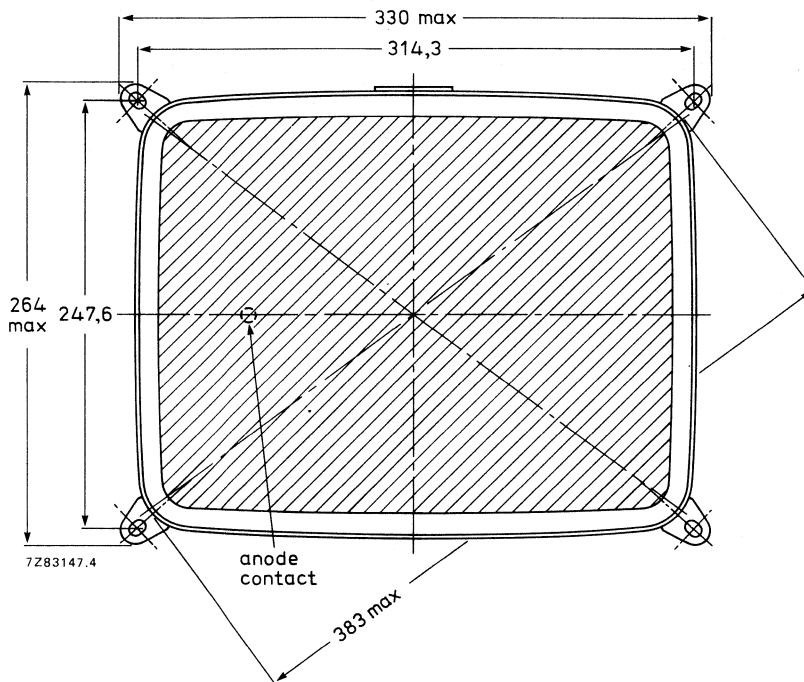


Fig. 13 Tube mounting dimensions; front view.

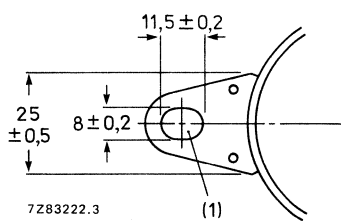


Fig. 14 Lug dimensions.

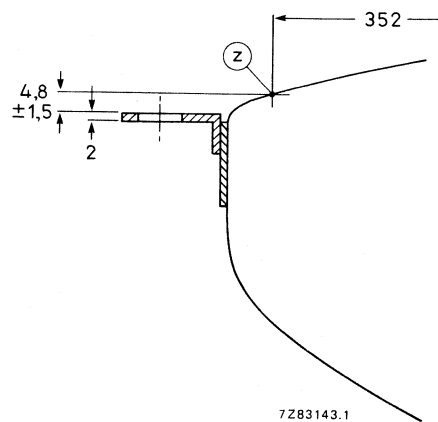


Fig. 15 Lug position.

(1) The mounting screws in the cabinet must be situated inside a circle of 5 mm diameter drawn around the true geometrical positions i.e. at the corners of a rectangle of 314,3 mm x 247,6 mm.

Front view and lug dimensions of tube M38-348

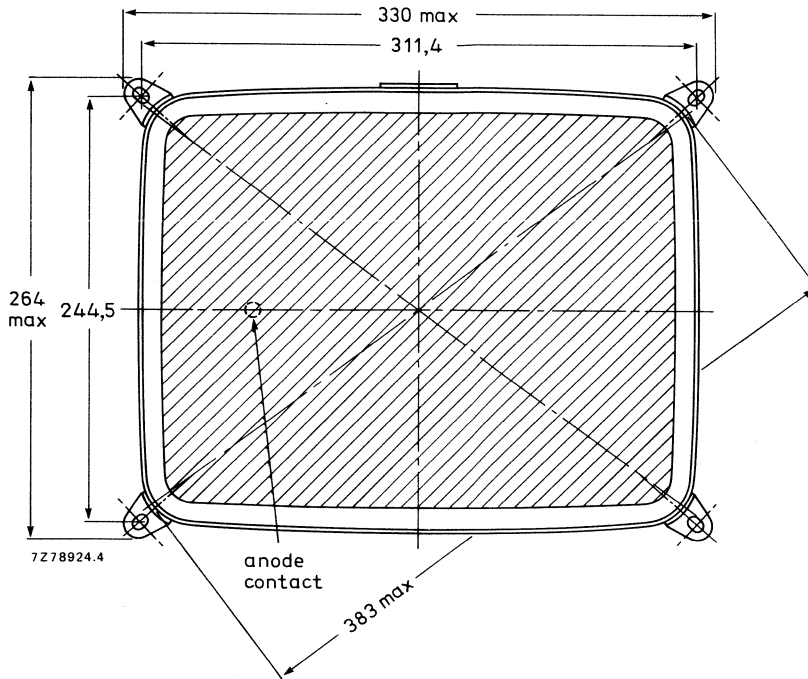


Fig. 16 Tube mounting dimensions; front view.

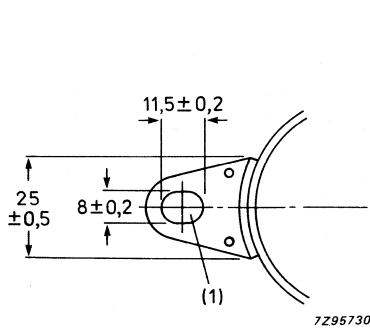


Fig. 17 Lug dimensions.

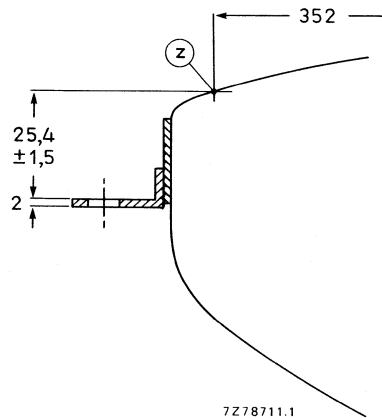


Fig. 18 Lug position.

(1) The mounting screws in the cabinet must be situated inside a circle of 5 mm diameter drawn around the true geometrical positions i.e. at the corners of a rectangle of 311,4 mm x 244,5 mm.

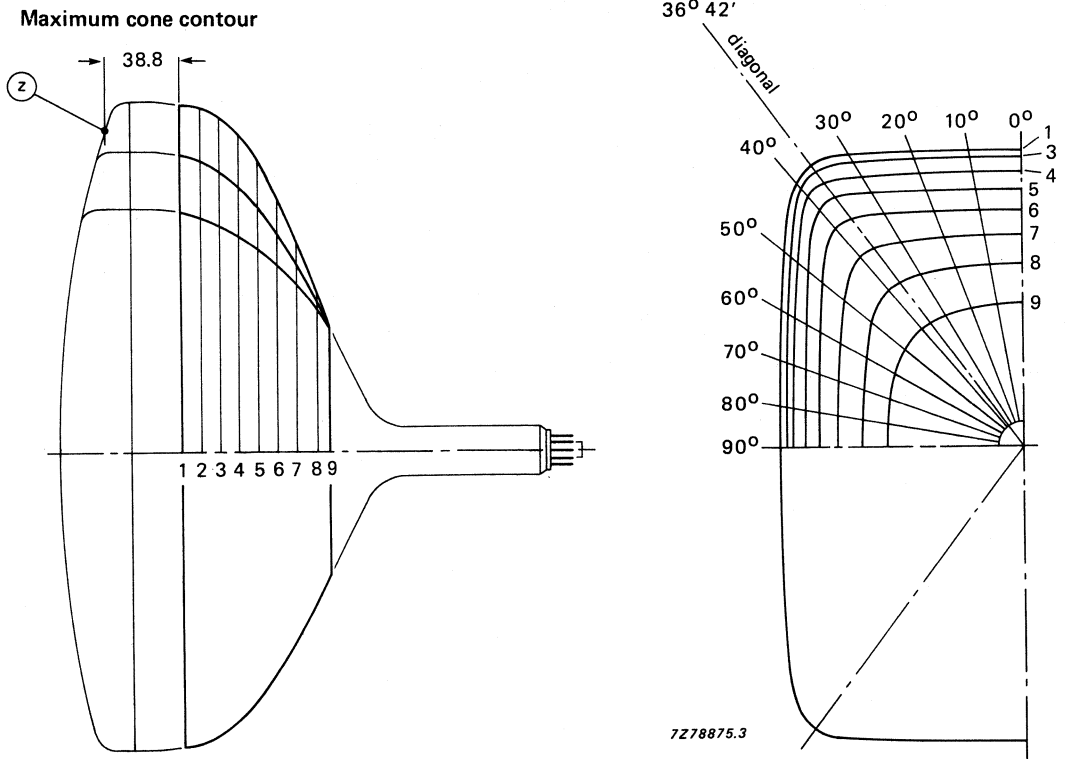


Fig. 19 Cone contour.

Table 1 Cone contour data

sec- tion	nom. distance from section 1	max. distance from centre										
		0°	10°	20°	30°	diag.	40°	50°	60°	70°	80°	90°
1	0	160,0	162,2	168,9	180,8	187,8	185,9	163,3	146,7	136,3	130,6	128,8
2	10	158,2	160,4	167,2	179,3	186,4	184,5	161,6	144,8	134,5	128,8	127,0
3	20	152,8	154,9	161,5	173,6	181,3	179,1	155,7	139,5	129,4	123,9	122,2
4	30	143,4	145,4	151,7	163,1	170,9	169,1	147,1	131,6	122,1	116,8	115,2
5	40	131,3	133,1	138,8	149,0	156,3	155,4	136,6	122,3	113,4	108,6	107,0
6	50	116,9	118,5	123,4	132,0	138,1	138,2	124,1	111,7	103,8	99,5	98,1
7	60	101,1	102,3	106,2	112,4	116,2	116,6	109,5	100,0	93,6	89,9	88,7
8	70	84,5	85,3	87,4	89,9	90,9	91,0	89,4	85,8	82,1	79,7	78,8
9	76,7	67,3	67,3	67,3	67,3	67,3	67,3	67,3	67,3	67,3	67,3	67,3

HIGH RESOLUTION MONOCHROME MONITOR TUBE

- For Data Graphic Displays
- 114° deflection angle
- 44 cm (17 in) face diagonal; rectangular glass
- 28,6 mm neck diameter
- Integral implosion protection

QUICK REFERENCE DATA

Deflection angle	114°
Face diagonal	44 cm (17 in)
Overall length	max. 302 mm
Neck diameter	28,6 mm
Heating	6,3 V/240 mA
Quick heating cathode	with a typical tube a legible picture will appear within 5 s
Grid 2 voltage	400 V
Anode voltage	20 kV
Resolution	approx. 1500 lines

APPLICATION

This high resolution tube is for alphanumeric and graphic display applications, such as computer terminals, etc.

The tube can be supplied with different phosphors, see "High resolution monochrome monitor tubes, General".

ELECTRICAL DATA

Focusing method	electrostatic
Deflection method	magnetic
Deflection angles	
diagonal	approx. 114°
horizontal	approx. 104°
vertical	approx. 90°
Direct interelectrode capacitances	
cathode to all other electrodes	max. 4 pF
grid 1 to all other electrodes	max. 9 pF
Capacitance of external conductive coating to anode*	max. 1500 pF min. 800 pF
Capacitance of external conductive coating to anode**	max. 1300 pF min. 700 pF
Capacitance of anode to implosion protection hardware**	approx. 200 pF
Heater voltage	6,3 V
Heater current at 6,3 V	240 mA

OPTICAL DATA

Phosphor type	see "High resolution monochrome monitor tubes, General"
Light transmission at screen centre (normal tinted glass)	approx. 48%

RASTER CENTRING

The field intensity perpendicular to the tube axis should be adjustable from 0 to 800 A/m. For optimum overall sharpness it is recommended to centre the raster electrically via the deflection coils.

* Implosion protection hardware connected to external conductive coating.

** Implosion protection hardware not connected to external conductive coating.

MECHANICAL DATA (see also the figures under Dimensional Data)

Overall length	max. 291 mm
Greatest dimensions of tube	
diagonal	441 mm
width	377 mm
height	302 mm
Minimum useful screen dimensions (projected)	
diagonal	413 mm
horizontal axis	346 mm
vertical axis	270 mm
area	912 cm ²
Implosion protection	rimband
Bulb	EIA J436A
Bulb contact designation	IEC 67-III-2; EIA J1-21
Base designation	IEC 67-1-31a; EIA B7-208
Basing	8 HR
Mass	approx. 6 kg

RATINGS (Absolute Maximum System)

Unless otherwise specified voltage values are positive and measured with respect to grid 1.

Anode voltage	max. 21 kV min. 15 kV	←
Grid 4 (focusing electrode) voltage	-200 to +1000 V	←
Grid 2 voltage	max. 700 V	
Anode current		
long-term average value	max. 100 μA	
peak value	max. 300 μA	←
Cathode voltage, positive peak value	max. 400 V	
Heater voltage	6,3 V ± 10%*	
Cathode-to-heater voltage	max. 100 V	

* For maximum cathode life it is recommended that the heater supply be regulated at $6,3 \text{ V} \begin{matrix} +0\% \\ -5\% \end{matrix}$.

CIRCUIT DESIGN VALUES

Grid 4 current	
positive	max. 25 μ A
negative	max. 25 μ A
Grid 2 current	
positive	max. 5 μ A
negative	max. 5 μ A

MAXIMUM CIRCUIT VALUES

Resistance between cathode and heater	max. 1,0 $M\Omega$
Impedance between cathode and heater	max. 0,1 $M\Omega$
Grid 1 circuit resistance	max. 1,5 $M\Omega$
Grid 1 circuit impedance	max. 0,5 $M\Omega$

TYPICAL OPERATING CONDITIONS

Cathode drive; voltages specified with respect to grid 1

Anode voltage	20 kV
Grid 4 (focusing electrode) voltage	0 to 400 V*
Grid 2 voltage	400 V
Cathode cut-off voltage	40 to 70 V**

Grid drive; voltages specified with respect to cathode

Anode voltage	20 kV
Grid 4 (focusing electrode) voltage	0 to 400 V*
Grid 2 voltage	400 V
Grid 1 cut-off voltage	45 to 83 V**

RESOLUTION

The resolution is approx. 1500 lines. It is measured at the screen centre:

- with shrinking raster method,
- at light output 68,5 cd/m² (20 foot lambert) and raster dimensions 304 mm x 228 mm,
- at $V_{g2} = 700$ V and anode voltage = 20 kV,
- with phosphor type W (WW),
- with normal tinted face glass, without anti-glare treatment of screen surface.

X-RADIATION CHARACTERISTIC

X-radiation emitted will not exceed 0,5 mR/h throughout the useful life of the tube, when operated within the given ratings.

- * Measured at screen centre on spot at anode current = 250 μ A (peak), anode voltage = 20 kV, grid 2 voltage = 400 V.

Dynamic focus (only for optimization): Typical correction for a video field of
H x V = 304 mm x 228 mm (landscape format): line parabola 300 V, field parabola 100 V.

- ** Visual extinction of focused raster.

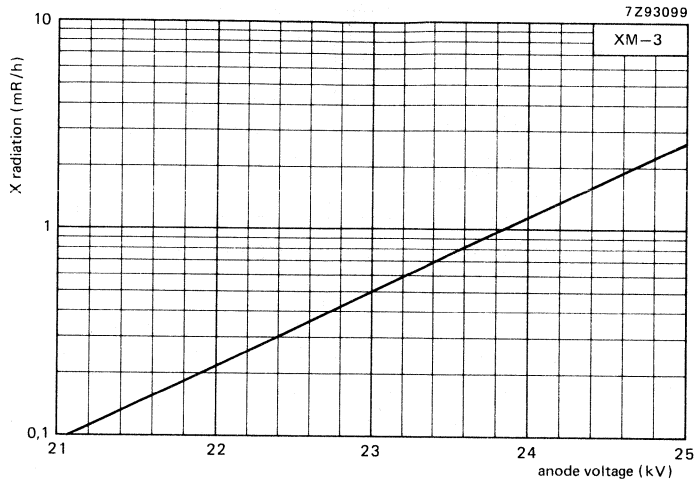


Fig. 1 X-radiation limit curve according to JEDEC 94, at a constant anode current of 250 μ A, measured according to TEPAC103A.

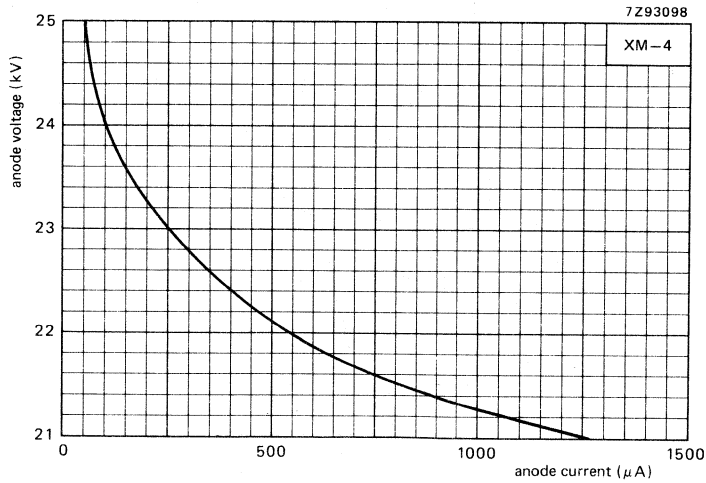


Fig. 2 0,5 mR/h isoexposure rate limit curve, according to JEDEC 94, measured according to TEPAC103A.

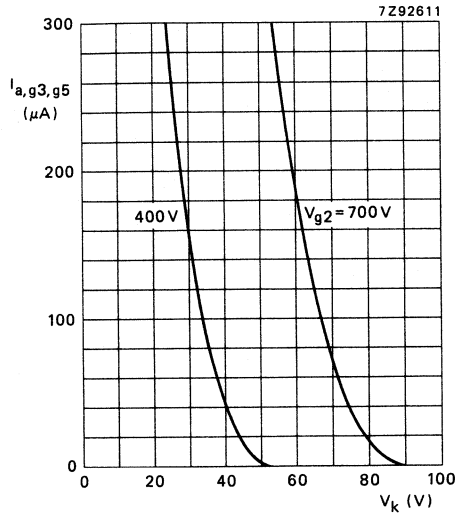


Fig. 3 Anode current as a function of cathode voltage.
Cathode drive; $V_{a,g3,g5} = 20\text{ kV}$.

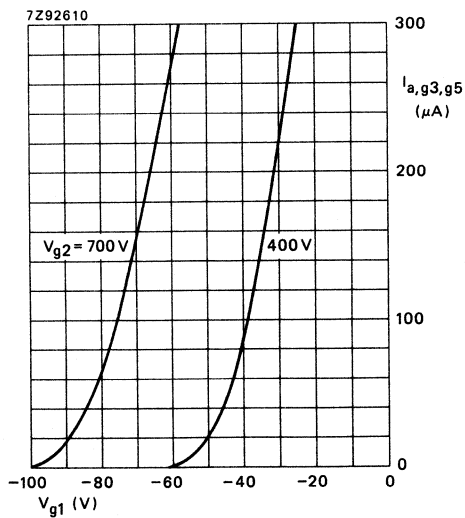


Fig. 4 Anode current as a function of grid 1 voltage.
Grid drive; $V_{a,g3,g5} = 20\text{ kV}$.

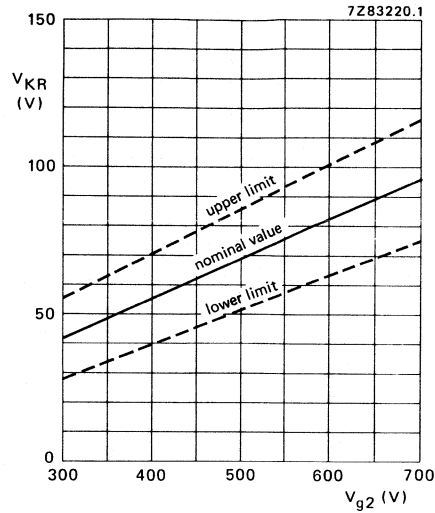


Fig. 5 Limits of cathode raster cut-off voltage as a function of grid 2 voltage. Cathode drive; $V_{a,g3,g5} = 20$ kV.

$$\frac{\Delta V_{KR}}{\Delta V_{a,g3,g5}} = 0,15 \times 10^{-3}$$

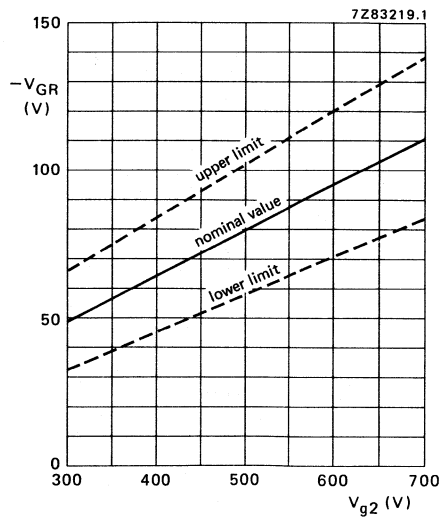


Fig. 6 Limits of grid 1 raster cut-off voltage as a function of grid 2 voltage. Grid drive; $V_{a,g3,g5} = 20$ kV.

$$\frac{\Delta V_{GR}}{\Delta V_{a,g3,g5}} = 0,15 \times 10^{-3}$$

DIMENSIONAL DATA

Dimensions in mm

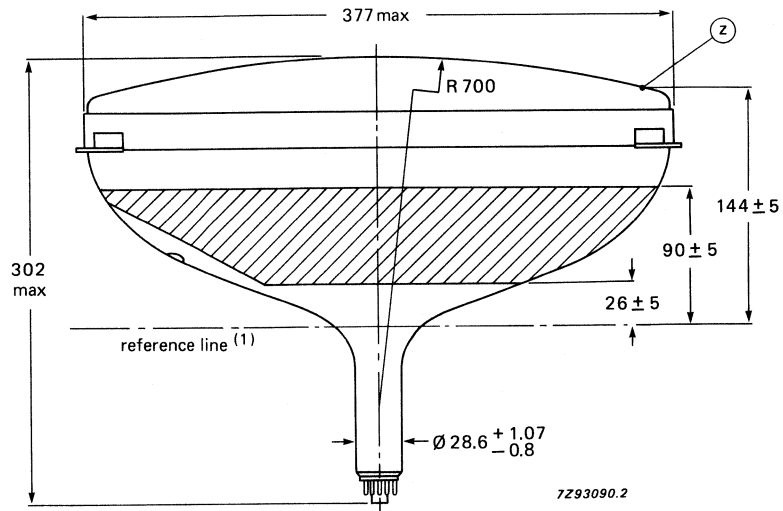


Fig. 7

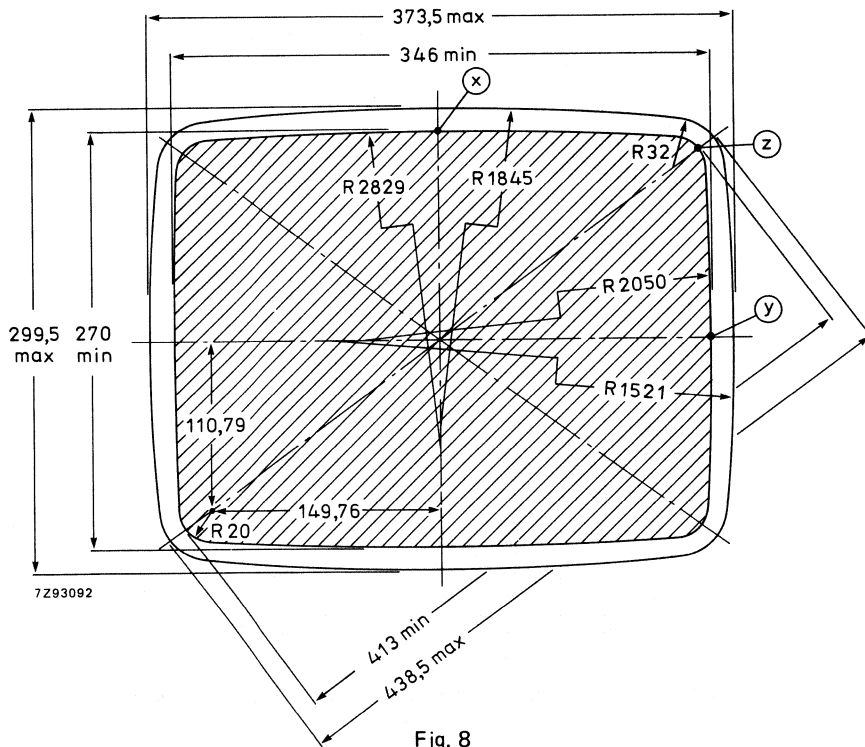


Fig. 8

(1) The reference line is determined by the plane of the upper edge of reference line gauge C when the gauge is resting on the cone.

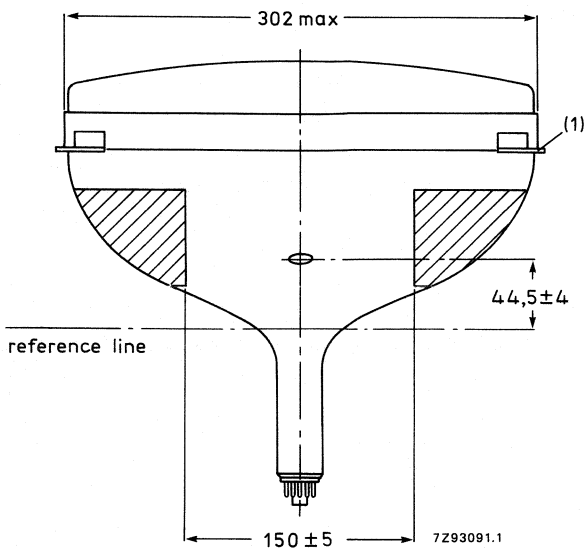


Fig. 9

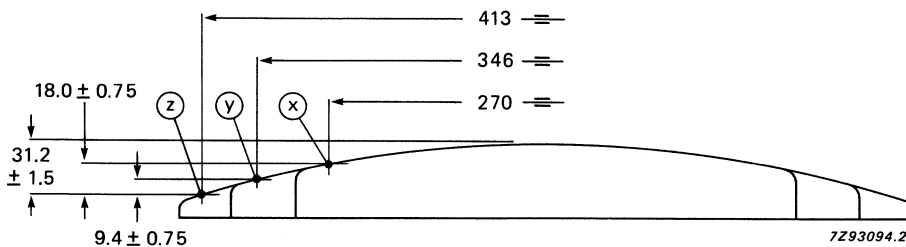


Fig. 10 Screen reference points.

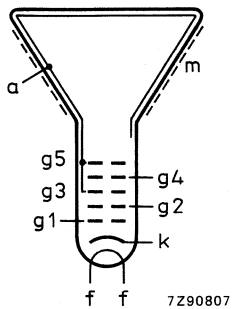


Fig. 11 Electrode configuration.

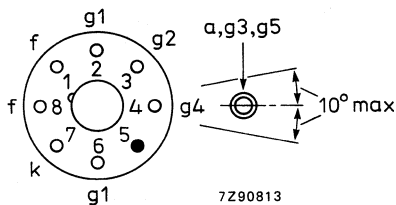


Fig. 12 Pin arrangement.

(1) The displacement of any lug with respect to the plane through the three other lugs is max. 1,5 mm.

Front view and lug dimensions

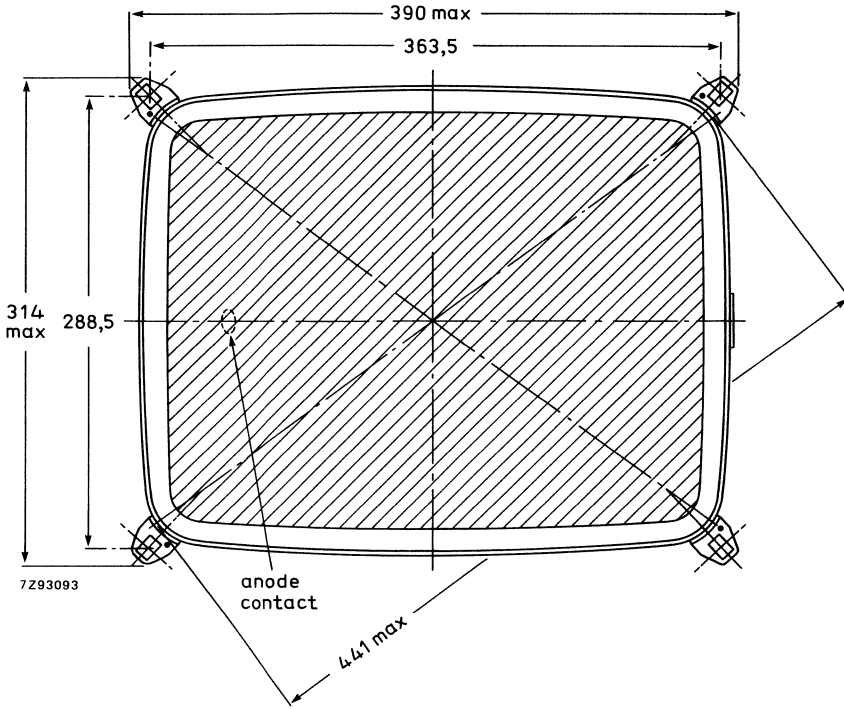


Fig. 13 Tube mounting dimensions; front view.

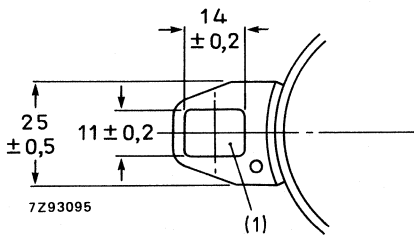


Fig. 14 Lug dimensions.

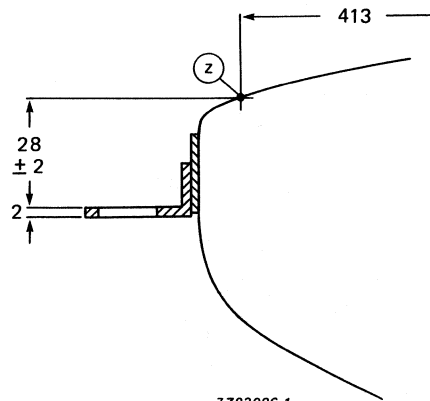


Fig. 15 Lug position.

(1) The mounting screws in the cabinet must be situated inside a circle of 7,5 mm diameter drawn around the true geometrical positions i.e. at the corners of a rectangle of 363,5 mm x 288,5 mm.

Maximum cone contour

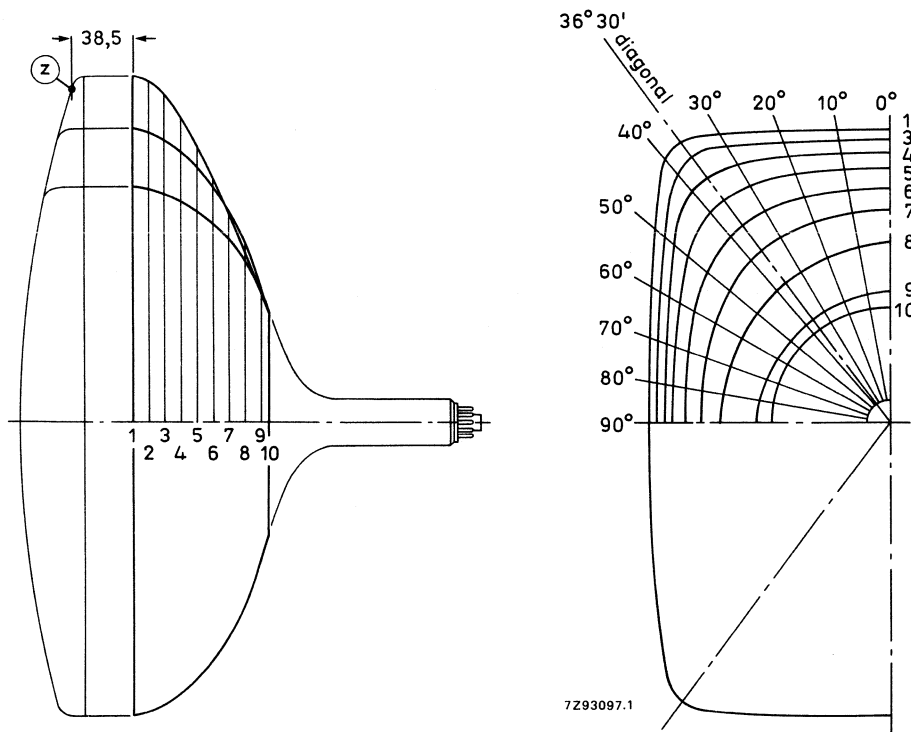


Fig. 16 Cone contour.

Table 1 Cone contour data.

sec- tion	nom. distance from section 1	maximum distance from centre										
		0°	10°	20°	30°	diag.	40°	50°	60°	70°	80°	90°
1	0	184,30	186,83	194,73	209,03	217,15	214,63	187,58	168,13	156,09	149,50	147,40
2	10	183,80	186,32	194,20	208,43	216,54	213,94	187,05	167,67	155,65	149,08	146,98
3	20	180,84	183,29	190,91	204,44	211,90	209,50	184,37	165,42	153,62	147,15	145,09
4	30	174,11	176,34	183,17	194,20	198,87	196,98	177,67	160,30	149,18	143,04	141,08
5	40	164,91	166,81	172,30	179,31	180,94	179,45	167,16	153,19	143,33	137,76	135,96
6	50	153,13	154,62	158,32	161,71	161,74	160,61	153,27	143,62	135,70	130,89	129,30
7	60	139,16	140,03	141,57	142,18	141,40	140,51	136,34	130,86	125,72	122,16	120,87
8	70	122,37	122,17	121,41	120,06	118,91	118,22	116,10	113,94	112,02	110,62	110,05
9	80	94,64	93,90	92,73	91,60	91,01	90,75	90,28	90,23	90,58	91,22	91,76
10	89,34	61,83	61,83	61,83	61,83	61,83	61,83	61,83	61,83	61,83	61,83	61,83

HIGH RESOLUTION MONOCHROME MONITOR TUBE

- For Data Graphic Displays
- 114° deflection angle
- 50 cm (20 in) face diagonal; rectangular glass
- 28,6 mm neck diameter
- Integral implosion protection

QUICK REFERENCE DATA

Deflection angle	114°
Face diagonal	50 cm (20 in)
Overall length	max. 330 mm
Neck diameter	28,6 mm
Heating	6,3 V/240 mA
Quick heating cathode	with a typical tube a legible picture will appear within 5 s
Grid 2 voltage	400 V
Anode voltage	20 kV
Resolution	approx. 1400 lines

APPLICATION

This high resolution tube is for alphanumeric and graphic display applications, such as computer terminals, etc.

The tube can be supplied with different phosphors, see "High resolution monochrome monitor tubes, General".

ELECTRICAL DATA

Focusing method	electrostatic
Deflection method	magnetic
Deflection angles	
diagonal	approx. 114°
horizontal	approx. 104°
vertical	approx. 90°
Direct interelectrode capacitances	
cathode to all other electrodes	max. 4 pF
grid 1 to all other electrodes	max. 9 pF
Capacitance of external conductive coating to anode*	max. 1875 pF min. 1225 pF
Capacitance of external conductive coating to anode**	max. 1500 pF min. 1000 pF
Capacitance of anode to implosion protection hardware**	approx. 250 pF
Heater voltage	6,3 V
Heater current at 6,3 V	240 mA

OPTICAL DATA

Phosphor type	see "High resolution monochrome monitor tubes, General"
Light transmission at screen centre	
tube with normal tinted glass	approx. 46%
tube with dark tinted glass	approx. 32%

RASTER CENTRING

The field intensity perpendicular to the tube axis should be adjustable from 0 to 800 A/m. For optimum overall sharpness it is recommended to centre the raster electrically via the deflection coils.

* Implosion protection hardware connected to external conductive coating.

** Implosion protection hardware not connected to external conductive coating.

MECHANICAL DATA (see also the figures under Dimensional Data)

Overall length	max.	319 mm
Greatest dimensions of tube		
diagonal		504,5 mm
width		430,5 mm
height		346,5 mm
Minimum useful screen dimensions (projected)		
diagonal		473 mm
horizontal axis		394 mm
vertical axis		308 mm
area		1187 cm ²
Implosion protection		rimband
Bulb		EIA J500A
Bulb contact designation		IEC 67-III-2; EIA J1-21
Base designation		IEC 67-1-31a; EIA B7-208
Basing		8 HR
Mass		approx. 8,5 kg

RATINGS (Absolute Maximum System)

Unless otherwise specified voltage values are positive and measured with respect to grid 1.

Anode voltage	max.	23 kV	
	min.	16 kV	
Grid 4 (focusing electrode) voltage		-200 to +1000 V	←
Grid 2 voltage	max.	700 V	
Anode current			
long-term average value	max.	100 μA	←
peak value	max.	300 μA	
Cathode voltage, positive peak value	max.	400 V	
Heater voltage		6,3 V ± 10%*	
Cathode-to-heater voltage	max.	100 V	

* For maximum cathode life it is recommended that the heater supply be regulated at $6,3 \text{ V} \begin{matrix} +0\% \\ -5\% \end{matrix}$.

CIRCUIT DESIGN VALUES

Grid 4 current	
positive	max. 25 μ A
negative	max. 25 μ A
Grid 2 current	
positive	max. 5 μ A
negative	max. 5 μ A

MAXIMUM CIRCUIT VALUES

Resistance between cathode and heater	max. 1,0 $M\Omega$
Impedance between cathode and heater	max. 0,1 $M\Omega$
Grid 1 circuit resistance	max. 1,5 $M\Omega$
Grid 1 circuit impedance	max. 0,5 $M\Omega$

TYPICAL OPERATING CONDITIONS

Cathode drive; voltages specified with respect to grid 1

Anode voltage	20 kV
Grid 4 (focusing electrode) voltage	0 to 400 V*
Grid 2 voltage	400 V
Cathode cut-off voltage	40 to 70 V**

Grid drive; voltages specified with respect to cathode

Anode voltage	20 kV
Grid 4 (focusing electrode) voltage	0 to 400 V*
Grid 2 voltage	400 V
Grid 1 cut-off voltage	45 to 83 V**

RESOLUTION

The resolution is approx. 1400 lines. It is measured at the screen centre:

- with shrinking raster method,
- at light output 68,5 cd/m² (20 foot lambert) and raster dimensions 348 mm x 261 mm,
- at $V_{g2} = 700$ V and anode voltage = 20 kV,
- with phosphor type W (WW),
- with normal tinted face glass, without anti-glare treatment of screen surface.

X-RADIATION CHARACTERISTIC

X-radiation emitted will not exceed 0,5 mR/h throughout the useful life of the tube, when operated within the given ratings.

* Measured at screen centre on spot at anode current = 250 μ A (peak), anode voltage = 20 kV, grid 2 voltage = 400 V.

Dynamic focus (only for optimization): Typical correction for a video field of
H x V = 348 mm x 261 mm (landscape format): line parabola 300 V, field parabola 100 V.

** Visual extinction of focused raster.

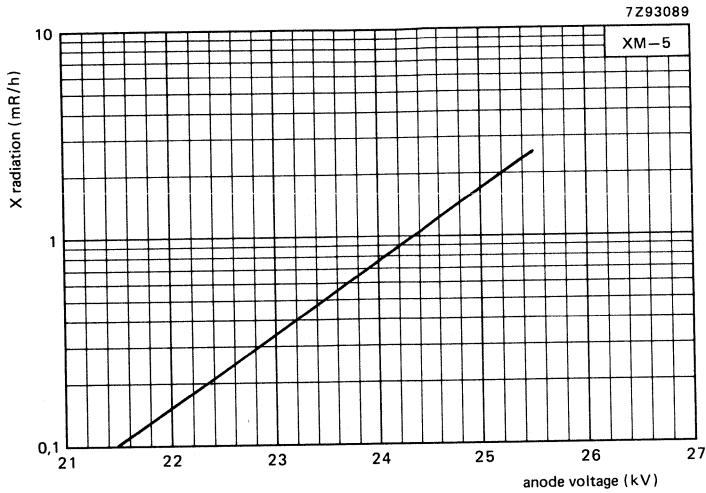


Fig. 1 X-radiation limit curve according to JEDEC 94, at a constant anode current of 250 μA , measured according to TEPAC103A.

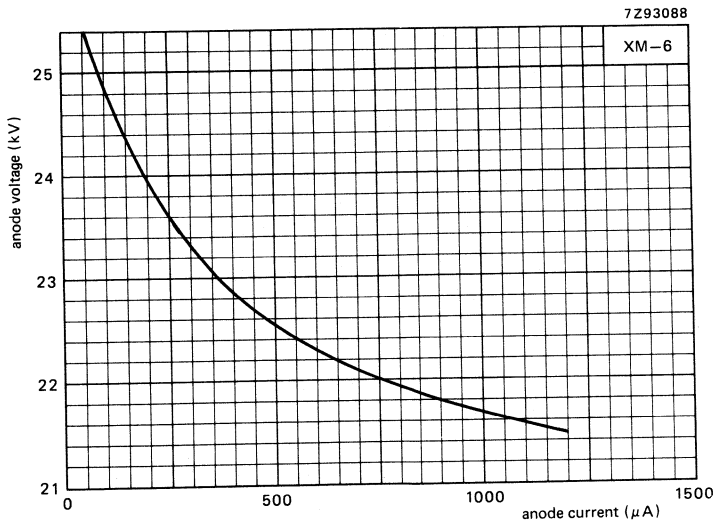


Fig. 2 0,5 mR/h isoexposure rate limit curve, according to JEDEC 94, measured according to TEPAX103A.

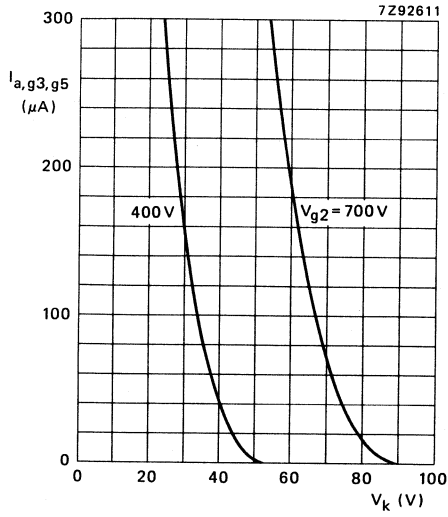


Fig. 3 Anode current as a function of cathode voltage. Cathode drive; $V_{a,g3,g5} = 20$ kV.

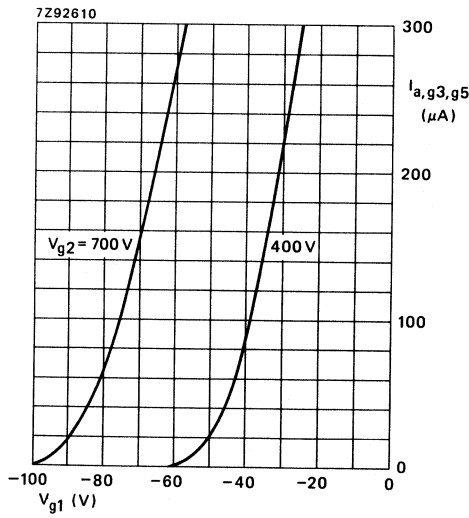


Fig. 4 Anode current as a function of grid 1 voltage. Grid drive; $V_{a,g3,g5} = 20$ kV.

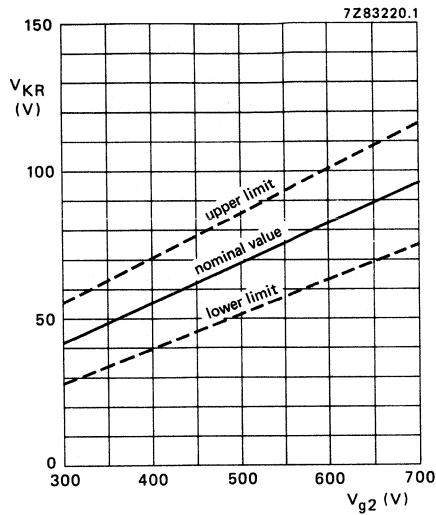


Fig. 5 Limits of cathode raster cut-off voltage as a function of grid 2 voltage. Cathode drive; $V_{a,g3,g5} = 20$ kV.

$$\frac{\Delta V_{KR}}{\Delta V_{a,g3,g5}} = 0,15 \times 10^{-3}$$

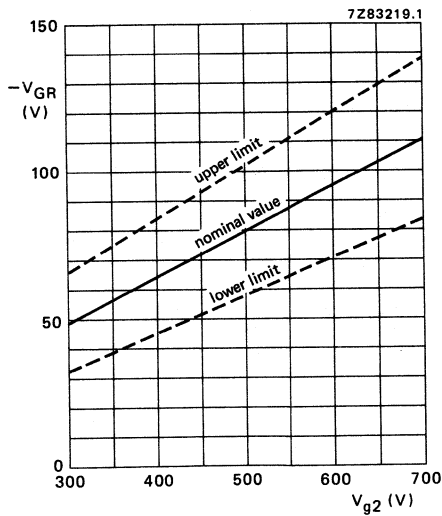


Fig. 6 Limits of grid 1 raster cut-off voltage as a function of grid 2 voltage. Grid drive; $V_{a,g3,g5} = 20$ kV.

$$\frac{\Delta V_{GR}}{\Delta V_{a,g3,g5}} = 0,15 \times 10^{-3}$$

DIMENSIONAL DATA

Dimensions in mm

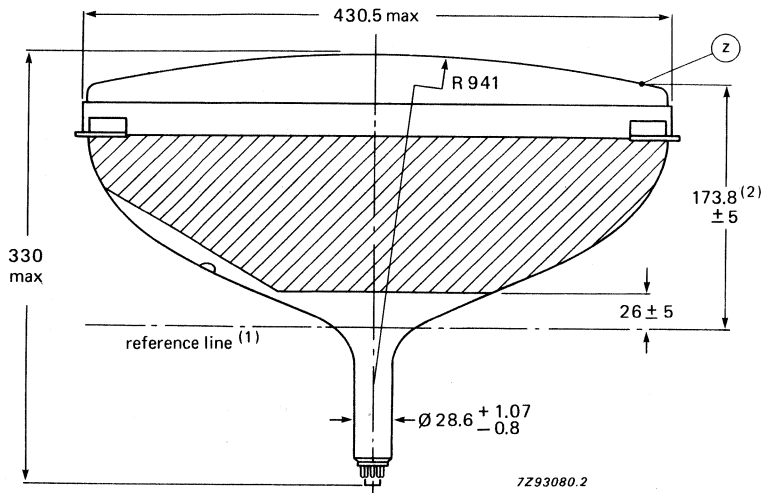


Fig. 7

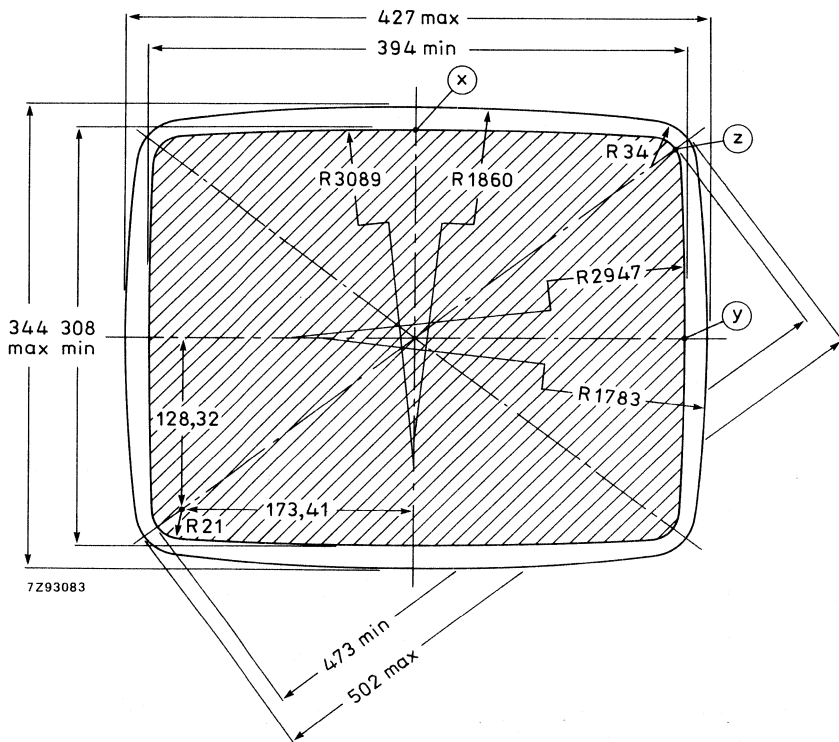


Fig. 8.

- (1) The reference line is determined by the plane of the upper edge of reference line gauge C when the gauge is resting on the cone.
- (2) If NEG type, this value changes to 170,3 ± 5.

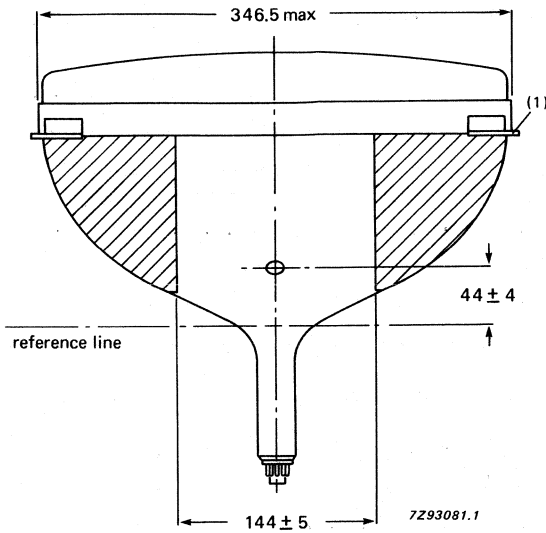


Fig. 9.

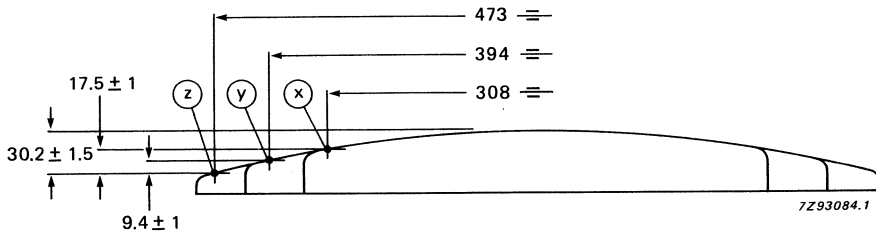


Fig. 10 Screen reference points.

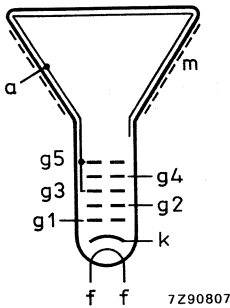


Fig. 11 Electrode configuration.

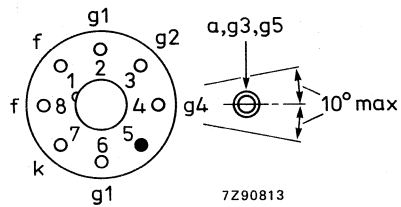


Fig. 12 Pin arrangement.

(1) The displacement of any lug with respect to the plane through the three other lugs is max. 1,5 mm.

Front view and lug dimensions

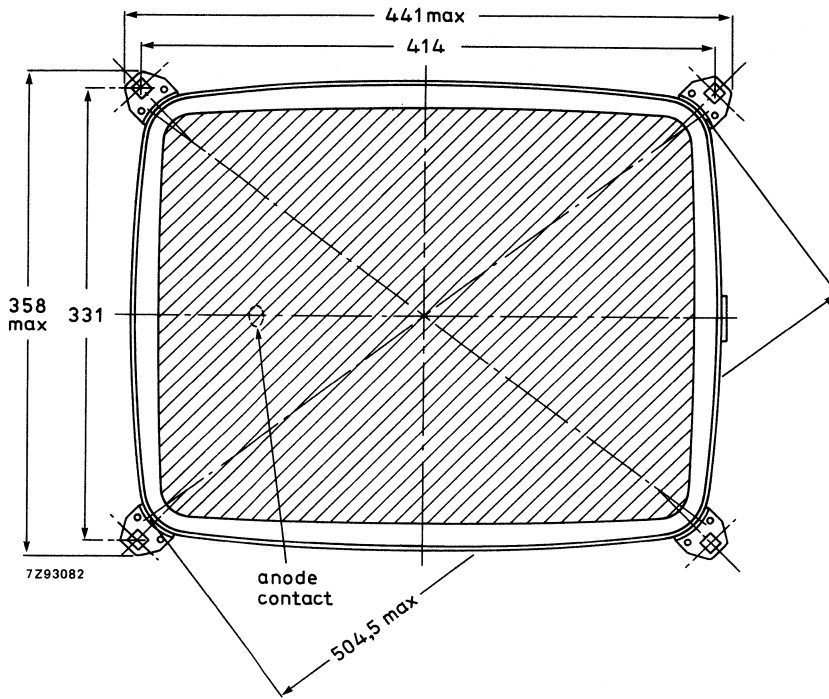


Fig. 13 Tube mounting dimensions; front view.

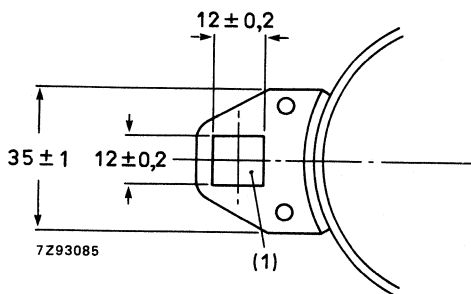


Fig. 14 Lug dimensions.

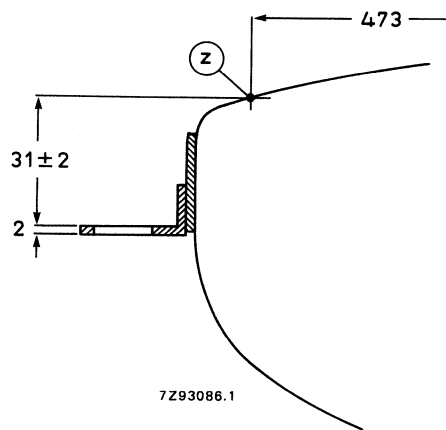


Fig. 15 Lug position.

(1) The mounting screws in the cabinet must be situated inside a circle of 8 mm diameter drawn around the true geometrical positions i.e. at the corners of a rectangle of 414 mm x 331 mm.

Maximum cone contour

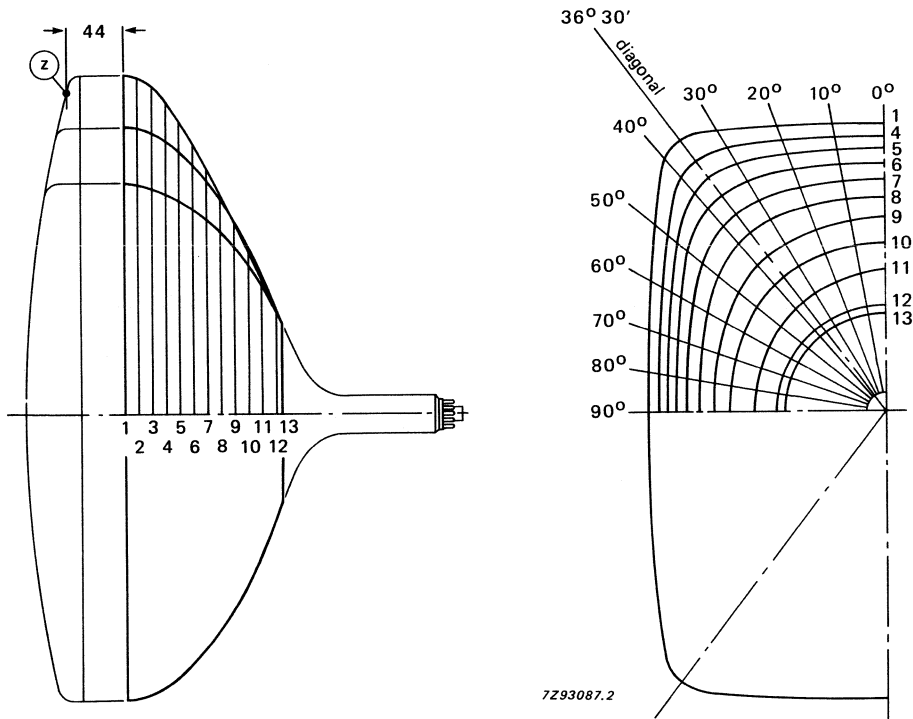


Fig. 16 Cone contour.

Table 1 Cone contour data

sec- tion	nom. distance from section 1	maximum distance from centre										
		0°	10°	20°	30°	diag.	40°	50°	60°	70°	80°	90°
1	0	212,40	215,27	224,24	240,47	250,00	246,96	215,59	193,30	179,48	171,91	169,50
2	10	211,37	214,23	223,15	239,25	249,13	246,39	215,32	192,88	179,00	171,41	168,99
3	20	208,00	210,74	219,25	234,40	244,05	241,65	212,73	190,50	176,69	169,13	166,73
4	30	203,99	206,43	213,93	226,89	233,79	230,99	207,33	186,52	173,13	165,75	163,40
5	40	198,33	200,43	206,81	217,05	220,83	218,32	199,70	181,12	168,49	161,41	159,14
6	50	190,32	192,10	197,40	204,53	205,72	203,55	189,36	173,85	162,55	156,00	153,87
7	60	179,54	181,01	185,01	188,72	187,90	185,85	175,57	163,90	154,70	149,06	147,16
8	70	165,75	166,89	169,39	170,43	168,81	167,08	159,85	151,68	144,83	140,38	138,80
9	80	147,99	148,83	150,23	150,21	148,78	147,54	142,72	137,24	132,45	129,19	127,97
10	90	124,88	125,48	126,40	126,58	126,02	125,48	123,25	120,47	117,83	115,89	115,12
11	100	101,31	100,91	99,98	98,75	97,88	97,42	96,16	95,12	94,37	93,97	93,88
12	110	74,28	74,01	73,54	73,02	72,70	72,54	72,18	71,97	71,92	72,00	72,11
13	113,36	64,18	64,12	64,01	63,89	63,82	63,78	63,70	63,66	63,65	63,68	63,71

**DEFLECTION UNITS FOR
MONOCHROME MONITOR TUBES**

DEFLECTION UNIT

- For Data Graphic Displays
- For use with high resolution 47 cm (20 in) and 41 cm (17 in)/110° monochrome CRTs
- Optimized for minimum deflection defocusing
- Preset raster geometry for high resolution monitor tubes M47EAA and M41EAA
- Specially made for high line frequencies (up to 70 kHz)
- Electrical data given is for M47EAA

QUICK REFERENCE DATA

Deflection angle	110°
Neck diameter of CRT	28,6 mm
Screen diagonal of CRT	47/41 cm
Display format	landscape
Line deflection current for raster scan, at 17,5 kV	13,1 A _(p-p)
Inductance of line coils, parallel connected	72 μH
Field deflection current for raster scan, at 17,5 kV	0,87 A _(p-p)
Resistance of field coils, series connected	13,5 Ω

APPLICATION

This deflection unit is for Data Graphic Displays, especially when high resolution and/or high frequency operation is required. It is developed in conjunction with the high resolution monitor tube M47EAA to provide minimum deflection defocusing and good raster geometry without additional adjustments. Deflection unit AT1037/01 is for displays in horizontal (landscape, TV) format.

The AT1037/01 displays the same very high performance when used in conjunction with the M41EAA high resolution monitor tube.

To utilize the full potential of these deflection units in respect of deflection defocusing, dynamic focusing has to be applied in horizontal and vertical directions.

The line scan frequency is limited by the temperature of the deflection coils. The practical value depends on environmental conditions, but in general terms the highest operating frequency is approx. 70 kHz, thanks to the use of Litz wire in the line coils. At this line frequency the temperature rise of the deflection unit is less than 35° C, the maximum allowed average copper temperature of the unit is 95° C, hence, the environmental temperature must not exceed 60 °C. Where the circuitry and cabinet design are such that an operating environmental temperature of less than 60 °C is attained, the maximum permissible line frequency may be higher than the 70 kHz specified.



The following associated wound components are available for use in line time base circuits:

- AT2076/84 – universal line output transformer;
- AT4042/33A – linearity control unit (parallel connection);
- AT4042/08A – linearity control unit (series connection);
- AT4043/64 – line driver transformer;
- AT4043/29 – DC shift transformer;
- AT4044/35 – amplitude control unit.

A universal monitor design (C64L) has been developed, which is based on AT1037 deflection coils; it permits adjustment of the operating frequencies to the desired value by replacement of a few components only.

Further details are available on request.

DESCRIPTION

The line and field deflection coils are basically saddle-shaped and are surrounded by a Ferroxcube yoke ring. A special winding technique guarantees a precise magnetic field and a high reproducibility. Ferroxdure magnets are provided for beam centring. Provisions are made for mounting raster correction magnets.

The unit meets the self-extinguishing requirements of CSA, IEC and UL.

The top of the unit is marked.

MOUNTING

The unit should be mounted as far forward as possible on the neck of the tube so that it touches the cone; the maximum push-on force on the tube is 50 N.

To orient the raster correctly, the unit may be rotated by hand on the neck of the tube, with which it makes a slip fit. A screw-tightened clamping ring permits it to be locked, both axially and radially, in the desired position; the tightening torque is 0,75 to 0,90 Nm.

ELECTRICAL DATA

Line deflection coils

inductance
 resistance
 line deflection current for
 raster scan, at 17,5 kV
 raster scan

$72 \mu\text{H} \pm 5\%$
 $0,15 \Omega \pm 5\%$

$13,1 \text{ A(p-p)} \pm 5\%$
 348 mm

Field deflection coils

inductance
 resistance
 field deflection current for
 raster scan, at 17,5 kV
 raster scan

$12,2 \text{ mH} \pm 5\%$
 $13,5 \Omega \pm 5\%$

$0,87 \text{ A(p-p)} \pm 5\%$
 261 mm

Maximum permissible DC voltage between line and field coils

3000 V

Maximum permissible DC voltage between field coil and yoke ring

300 V

Coupling between line and field coils, at 1 V, 500 Hz

$\leq 1/100$

Note: The values apply at an ambient temperature of 23 °C

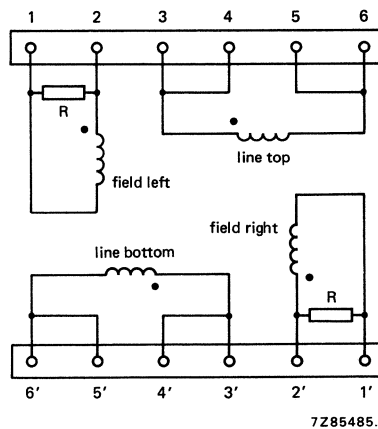
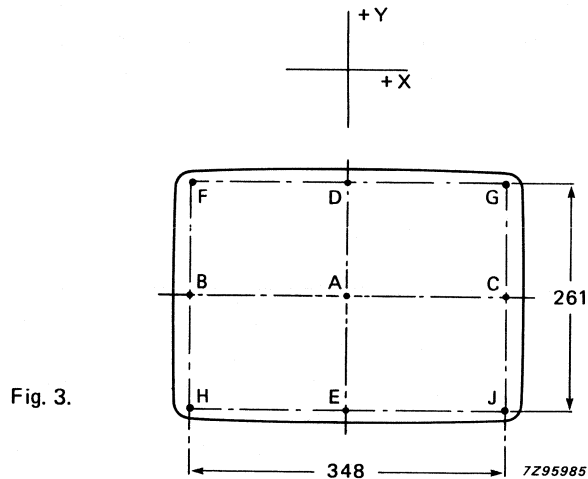


Fig. 2 Diagram of line and field coils; R = 270 Ω. The beginning of the windings is indicated with ●.

Geometric distortion, without raster correction and centring magnets.



Obliquity

$$|F_y - G_y| \leq 3,0 \text{ mm}$$

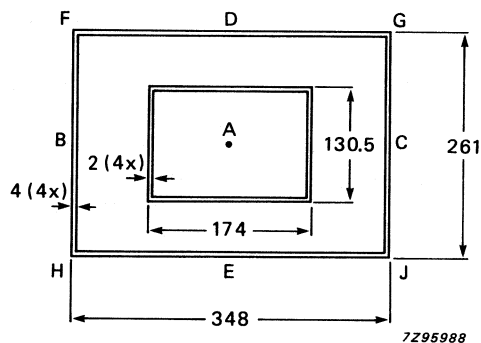
$$|G_x - J_x| \leq 3,0 \text{ mm}$$

$$|J_y - H_y| \leq 3,0 \text{ mm}$$

$$|H_x - F_x| \leq 3,0 \text{ mm}$$

$$|D_x| \text{ and } |E_x| \leq 0,8 \text{ mm}$$

$$|B_y| \text{ and } |C_y| \leq 0,5 \text{ mm}$$



Spot quality and measurement (refer to Fig. 3)

To be measured according to TVV55-84-0002.

Mean spot dimension is related to the spot at point A.

$$\text{Mean spot size} = \frac{1 + s}{2} \quad \text{Where; } 1 = \text{longest spot axis}$$

$$s = \text{shortest spot axis}$$

Measuring conditions:

$$V_{ht} = 17,5 \text{ kV}$$

$$V_{g2} = 700 \text{ V}$$

$$I_a = 100 \mu\text{A}$$

The following values for spot growth are defined with DC-deflection and optimal focus voltage V_{g4} per measuring point:

spot size B and C = spot size A + 15% ± 20%

spot size D and E = spot size A + 15% ± 20%

spot size F, G, H and J = spot size A + 25% ± 20%

ENVIRONMENTAL DATA

Maximum operating temperature (average copper temperature)	95 °C
Maximum possible temperature rise (ΔT) as a result of coil losses at 70 kHz	35 °C
Storage temperature range	-25 to + 95 °C
Flame retarding	according to UL1413
Flammability	according to UL94, category V1

ENVIRONMENTAL TESTS

The deflection units withstand the following tests:

Vibration	IEC 68-2-6; test Fc, procedure B4; 10-55-10 Hz, amplitude 0,35 mm, 3 x 30 min.
Bump	IEC 68-2-29, test Eb; 250 m/s ² , 1000 bumps, 6 directions.
Shock	IEC 68-2-27, test Ea; 11 ms, half-sine pulse shape, 350 m/s ² , 3 x 6 directions.
Cold	IEC 68-2-1, test Ab; 96 h, -25 °C.
Dry heat	IEC 68-2-2, test Bb; 96 h, + 95 °C.
Cyclic damp heat	IEC 68-2-30, test Db; 21 cycles, + 40 °C.
Damp heat, steady state	IEC 68-2-3, test Ca, 21 days.
Change of temperature	IEC 68-2-14, test Nb; 5 cycles of 2 h at -25 °C and 2 h at + 95 °C, duration of one cycle 5 h.

BEAM CENTRING

The deflection units have two independently movable centring magnets of plastic-bonded Ferroxdure. These magnets are for placing the electron beam coaxially with the deflection coils. They are magnetized diametrically. By turning the magnets with respect to each other the resulting field strength is varied. The direction of the resulting magnetic field is adjusted by turning the magnets simultaneously. The required torque on the magnets is 35 to 250 mNm. See also Fig. 5.

The correct position of the magnets ensures freedom from curved lines in the centre of the raster and is beneficial with regard to raster geometry, deflection defocusing, corner cutting etc. For quality performance, picture shift should be obtained by applying d.c. current through the deflection coils.

This should be done after adjustment of raster linearity and after correct phasing of displayed information in respect of the raster.

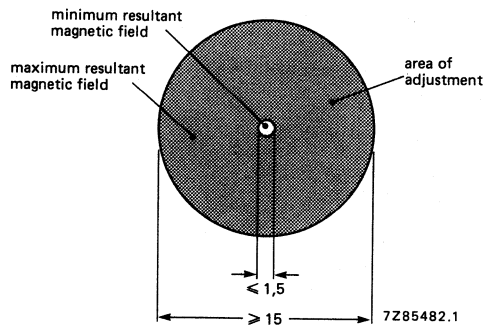


Fig. 5.

PACKING

The deflection units are packed on pallets of 10 or 15 boxes. Each box contains 24 deflection units.

DEFLECTION UNITS

- For Data Graphic Displays
- For use with high resolution 38 cm (15 in)/110° monochrome CRTs
- Optimized for minimum deflection defocusing
- Preset raster geometry for high resolution monitor tube M38-328
- Separate types for landscape and portrait formats

QUICK REFERENCE DATA

	AT1039/00	AT1039/01
Deflection angle	110°	110°
Neck diameter of CRT	28,6 mm	28,6 mm
Screen diagonal of CRT	38 cm	38 cm
Display format	portrait	landscape
Line deflection current for raster scan, at 17 kV	5,60 A _(p-p)	7,55 A _(p-p)
Inductance of line coils, parallel connected	225 μH	206 μH
Field deflection current for raster scan, at 17 kV	1,15 A _(p-p)	0,90 A _(p-p)
Resistance of field coils, series connected	10,2 Ω	10,5 Ω

APPLICATION

These deflection units are for Data Graphic Displays, especially when high resolution and/or high frequency operation is required. They are developed in conjunction with the high resolution monitor tube M38-328 to provide minimum deflection defocusing and good raster geometry without additional adjustments. Deflection unit AT1039/00 is for displays in vertical (portrait) format, AT1039/01 for displays in horizontal (landscape, TV) format.

To utilize the full potential of these deflection units in respect of deflection defocusing, dynamic focusing has to be applied in horizontal and vertical directions.

The line scan frequency is limited by the temperature of the deflection coils. The practical value depends on environmental conditions, but in general terms the highest operating frequency is approx. 50 kHz in landscape format and approx. 70 kHz in portrait format. At this line frequency the temperature rise of the deflection unit is less than 35 °C, the maximum allowed average copper temperature of the unit is 95 °C, hence, the environmental temperature must not exceed 60 °C. Where the circuitry and cabinet design are such that an operating environmental temperature of less than 60 °C is attained, the maximum permissible line frequency may be higher than the 50 kHz/70 kHz specified.

To provide some choice of impedances, the termination of the coils are brought out permitting either series or parallel connections.

When the coils are connected in parallel it is possible to provide scan at the highest frequency using existing devices. The impedance of the field coils (series connected) is adjusted for operation with integrated circuits (e.g. TDA2653A).

The following associated wound components are available for use in line time base circuits:

- AT2076/84 – universal line output transformer;
- AT4042/33A – linearity control unit (parallel connection);
- AT4042/08A – linearity control unit (series connection);
- AT4043/64 – line driver transformer;
- AT4043/29 – d.c. shift transformer;
- AT4044/35 – amplitude control unit.

A universal monitor design (C64) has been developed, which is based on AT1039 deflection coils; it permits adjustment of the operating frequencies to the desired value by replacement of a few components only.

Further details are available on request.

DESCRIPTION

The line and field deflection coils are basically saddle-shaped and are surrounded by a Ferroxcube yoke ring. A special winding technique guarantees a precise magnetic field and a high reproducibility. Ferroxdure magnets are provided for beam centring. Provisions are made for mounting raster correction magnets.

The units meet the self-extinguishing requirements of CSA, IEC and UL.

The top of the units is marked.

MOUNTING

The unit should be mounted as far forward as possible on the neck of the tube so that it touches the cone; the maximum push-on force on the tube is 50 N.

To orient the raster correctly, the unit may be rotated by hand on the neck of the tube, with which it makes a slip fit. A screw-tightened clamping ring permits it to be locked, both axially and radially, in the desired position; the tightening torque is 0,75 to 0,90 Nm.

Dimensions in mm

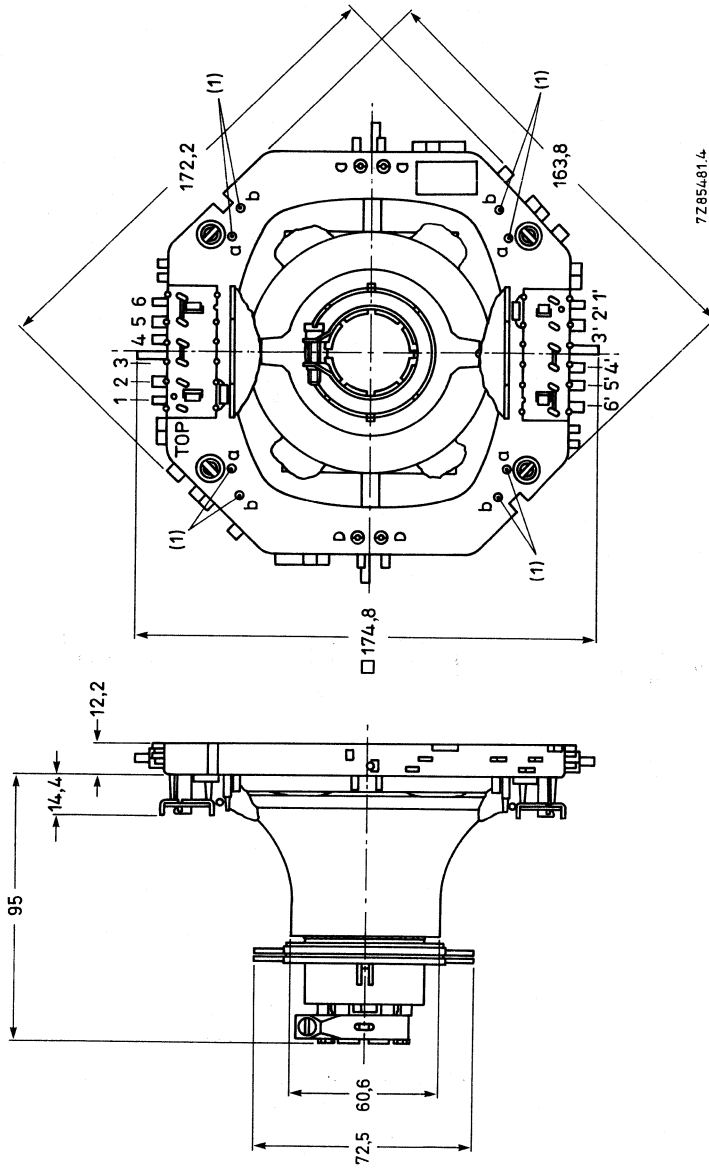


Fig. 1 Deflection units AT1039/00 and AT1039/01.

If a further improvement of raster geometry is required use can be made of correction magnets*, which must be fitted to mounting posts (1); posts a to be used for AT1039/00, posts b for AT1039/01.

The unit has solder pins for connection. The pin numbering in Fig. 1 corresponds to that in Fig. 2.

* Catalogue number 3122 134 92300.

MECHANICAL DATA

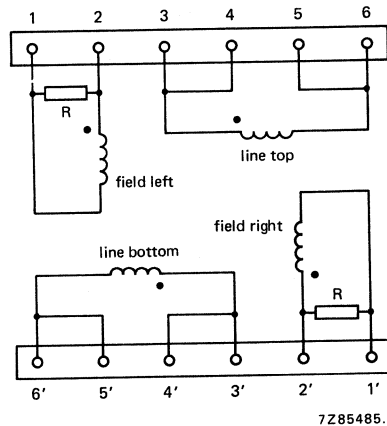
ELECTRICAL DATA

	AT1039/00		AT1039/01	
	parallel connected	series connected	parallel connected	series connected
Line deflection coils				
inductance	225 $\mu\text{H} \pm 5\%$	900 $\mu\text{H} \pm 5\%$	206 $\mu\text{H} \pm 5\%$	824 $\mu\text{H} \pm 5\%$
resistance	0,39 $\Omega \pm 5\%$	1,56 $\Omega \pm 5\%$	0,38 $\Omega \pm 5\%$	1,52 $\Omega \pm 5\%$
line deflection current, for raster scan, at 17 kV raster scan	5,60 A(p-p) $\pm 5\%$ 194 mm	2,80 A(p-p) $\pm 5\%$ 194 mm	7,55 A(p-p) $\pm 5\%$ 259 mm	3,78 A(p-p) $\pm 5\%$ 259 mm
Field deflection coils				
inductance	2,30 mH $\pm 5\%$	9,18 mH $\pm 5\%$	2,40 mH $\pm 5\%$	9,60 mH $\pm 5\%$
resistance	2,55 $\Omega \pm 5\%$	10,2 $\Omega \pm 5\%$	2,63 $\Omega \pm 5\%$	10,5 $\Omega \pm 5\%$
field deflection current, for raster scan, at 17 kV raster scan	2,30 A(p-p) $\pm 5\%$ 259 mm	1,15 A(p-p) $\pm 5\%$ 259 mm	1,8 A(p-p) $\pm 5\%$ 194 mm	0,90 A(p-p) $\pm 5\%$ 194 mm

Maximum permissible DC voltage between line and field coils
 Maximum permissible DC voltage between field coil and yoke ring
 Coupling between line and field coils, at 1 V, 500 Hz

3000 V
 300 V
 $\leq 1/100$

Note: The values apply at an ambient temperature of 23 °C.



7Z85485.1

Fig. 2 Diagram of line and field coils; R = 270 Ω . The beginning of the windings is indicated with ●.

Interconnections

	terminals to be interconnected	output terminals*	
		live	neutral
<u>Line deflection coils</u>			
parallel connection	3, 4 to 5', 6' and 3', 4' to 5, 6	<u>3, 4</u> <u>5', 6'</u>	3', <u>4'</u> , 5, 6
series connection	3, 4 to 3', 4'	5', <u>6'</u>	<u>5</u> , 6
<u>Field deflection coils</u>			
parallel connection	1 to 2' and 1' to 2	<u>1'</u> , 2	1, <u>2'</u>
series connection	2 to 2'	<u>1'</u>	<u>1</u>

Geometric distortion, without raster correction and centring magnets.

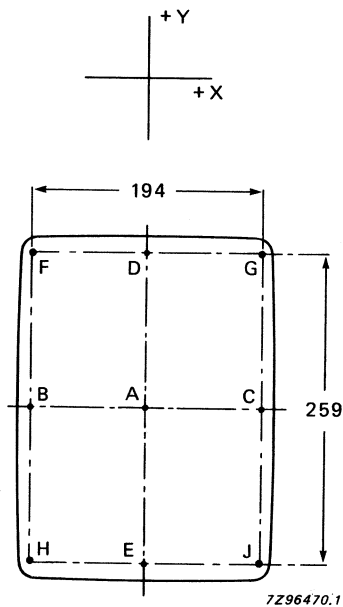


Fig. 3a AT1039/00.

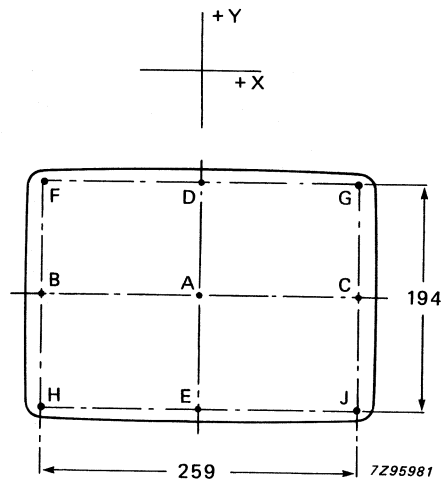


Fig. 3b AT1039/01.

* Terminals which are most convenient to be used as output terminals are underlined.

Obliquity

$$\begin{aligned}
 |F_y - G_y| &\leq 2,0 \text{ mm} \\
 |G_x - J_x| &\leq 2,0 \text{ mm} \\
 |J_y - H_y| &\leq 2,0 \text{ mm} \\
 |H_x - F_x| &\leq 2,0 \text{ mm} \\
 |D_x| \text{ and } |E_x| &\leq 0.5 \text{ mm} \\
 |B_y| \text{ and } |C_y| &\leq 0.5 \text{ mm}
 \end{aligned}$$

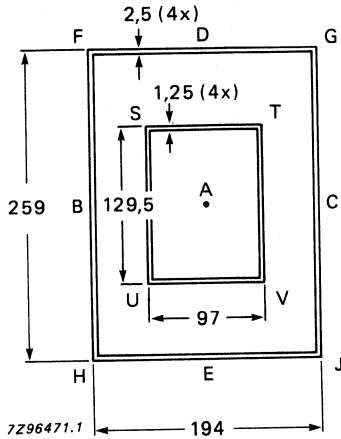


Fig. 4a AT1039/00.

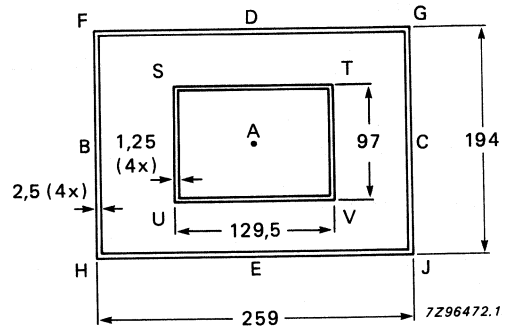


Fig. 4b AT1039/01.

Note: The edges of the displayed raster should fall within the two rectangles.

Spot quality and measurement (refer to Fig. 3)

To be measured according to TVV55-84-0002.

Mean spot dimension is related to the spot at point A.

$$\text{Mean spot size} = \frac{1 + s}{2} \quad \text{Where; } \begin{array}{l} 1 = \text{longest spot axis} \\ s = \text{shortest spot axis} \end{array}$$

Measuring conditions: $V_{ht} = 17 \text{ kV}$
 $V_{g2} = 700 \text{ V}$
 $I_a = 100 \mu\text{A}$

The following values for spot growth are defined with DC-deflection and optimal focus voltage V_{g4} per measuring point:

- spot size B and C = spot size A + 15% ± 20%
- spot size D and E = spot size A + 15% ± 20%
- spot size F, G, H and J = spot size A + 25% ± 20%

ENVIRONMENTAL DATA

Maximum operating temperature (average copper temperature)	95 °C
Maximum possible temperature rise (ΔT) as a result of coil losses at 50 kHz and 70 kHz respectively	35 °C
Storage temperature range	-25 to + 95 °C
Flame retarding	according to UL1413
Flammability	according to UL94, category V1

ENVIRONMENTAL TESTS

The deflection units withstand the following tests:

Vibration	IEC 68-2-6; test Fc, procedure B4; 10-55-10 Hz, amplitude 0,35 mm, 3 x 30 min.
Bump	IEC 68-2-29, test Eb; 250 m/s ² , 1000 bumps, 6 directions.
Shock	IEC 68-2-27, test Ea; 11 ms, half-sine pulse shape, 350 m/s ² , 3 x 6 directions.
Cold	IEC 68-2-1, test Ab; 96 h, -25 °C.
Dry heat	IEC 68-2-2, test Bb; 96 h, + 95 °C.
Cyclic damp heat	IEC 68-2-30, test Db; 21 cycles, + 40 °C.
Damp heat, steady state	IEC 68-2-3, test Ca, 21 days.
Change of temperature	IEC 68-2-14, test Nb; 5 cycles of 2 h at -25 °C and 2 h at + 95 °C, duration of one cycle 5 h.

BEAM CENTRING

The deflection units have two independently movable centring magnets of plastic-bonded Ferroxdure. These magnets are for placing the electron beam coaxially with the deflection coils. They are magnetized diametrically. By turning the magnets with respect to each other the resulting field strength is varied. The direction of the resulting magnetic field is adjusted by turning the magnets simultaneously. The required torque on the magnets is 35 to 250 mNm. See also Fig. 5.

The correct position of the magnets ensures freedom from curved lines in the centre of the raster and is beneficial with regard to raster geometry, deflection defocusing, corner cutting etc. For quality performance, picture shift should be obtained by applying d.c. current through the deflection coils.

This should be done after adjustment of raster linearity and after correct phasing of displayed information in respect of the raster.

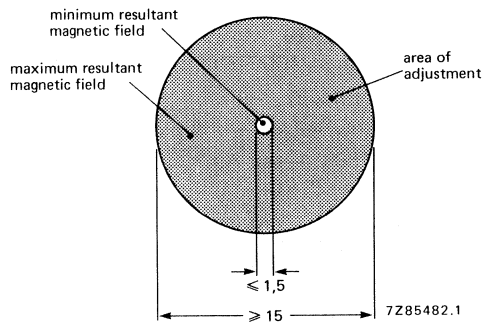


Fig. 5.

PACKING

The deflection units are packed on pallets of 10 or 15 boxes. Each box contains 24 deflection units.

DEFLECTION UNIT

- For Data Graphic Displays
- For use with high resolution 31 cm (12 in)/110° monochrome CRTs
- Optimized for minimum deflection defocusing
- Preset raster geometry for high resolution monitor tube M31-326

QUICK REFERENCE DATA

Deflection angle	110°
Neck diameter of CRT	28,6 mm
Screen diagonal of CRT	31 cm
Display format	landscape
Line deflection current for full scan, at 17 kV	7,34 A (p-p)
Inductance of line coils, parallel connected	228,5 μ H
Field deflection current for full scan, at 17 kV	1,03 A (p-p)
Resistance of field coils, series connected	10,2 Ω

APPLICATION

This deflection unit is for Data Graphic Displays, especially when high resolution and/or high frequency operation is required. It is developed in conjunction with the high resolution monitor tube M31-326 to provide minimum deflection defocusing and good raster geometry without additional adjustments.

Deflection unit AT1039/03 is for display in horizontal (landscape, TV) format. To utilize the full potential of this deflection unit in respect of deflection defocusing, dynamic focusing has to be applied in horizontal and vertical directions.

The line scan frequency is limited by the temperature of the deflection coils. The practical value depends on environmental conditions, but in general terms the highest operating frequency is approx. 50 kHz. At this line frequency the temperature rise of the deflection unit is less than 35 °C, the maximum allowed average copper temperature of the unit is 95 °C, hence, the environmental temperature must not exceed 60 °C. Where the circuitry and cabinet design are such that an operating environmental temperature of less than 60 °C is attained, the maximum permissible line frequency may be higher than the 50 kHz specified.

The following associated wound components are available for use in line time base circuits:

- AT2076/84 — universal line output transformer;
- AT4042/33A — linearity control unit (parallel connection);
- AT4042/08A — linearity control unit (series connection);
- AT4043/64 — line driver transformer;
- AT4043/29 — DC shift transformer;
- AT4044/35 — amplitude control unit.

A universal monitor design (C64) has been developed, which is based on AT1039 deflection coils; it permits adjustment of the operating frequencies to the desired value by replacement of a few components only.

Further details are available on request.

DESCRIPTION

The line and field deflection coils are basically saddle-shaped and are surrounded by a ferroxcube yoke ring. A special winding technique guarantees a precise magnetic field and a high reproducibility. Ferroxdure magnets are provided for beam centring. Provisions are made for mounting raster correction magnets.

The unit meets the self-extinguishing requirements of CSA, IEC and UL.

The top of the unit is marked.

MOUNTING

The unit should be mounted as far forward as possible on the neck of the tube so that it touches the cone; the maximum push-on force on the tube is 50 N.

To orient the raster correctly, the unit may be rotated by hand on the neck of the tube, with which it makes a slip fit. A screw-tightened clamping ring permits it to be locked, both axially and radially, in the desired position; the tightening torque is 0,75 to 0,90 Nm.

Dimensions in mm

MECHANICAL DATA

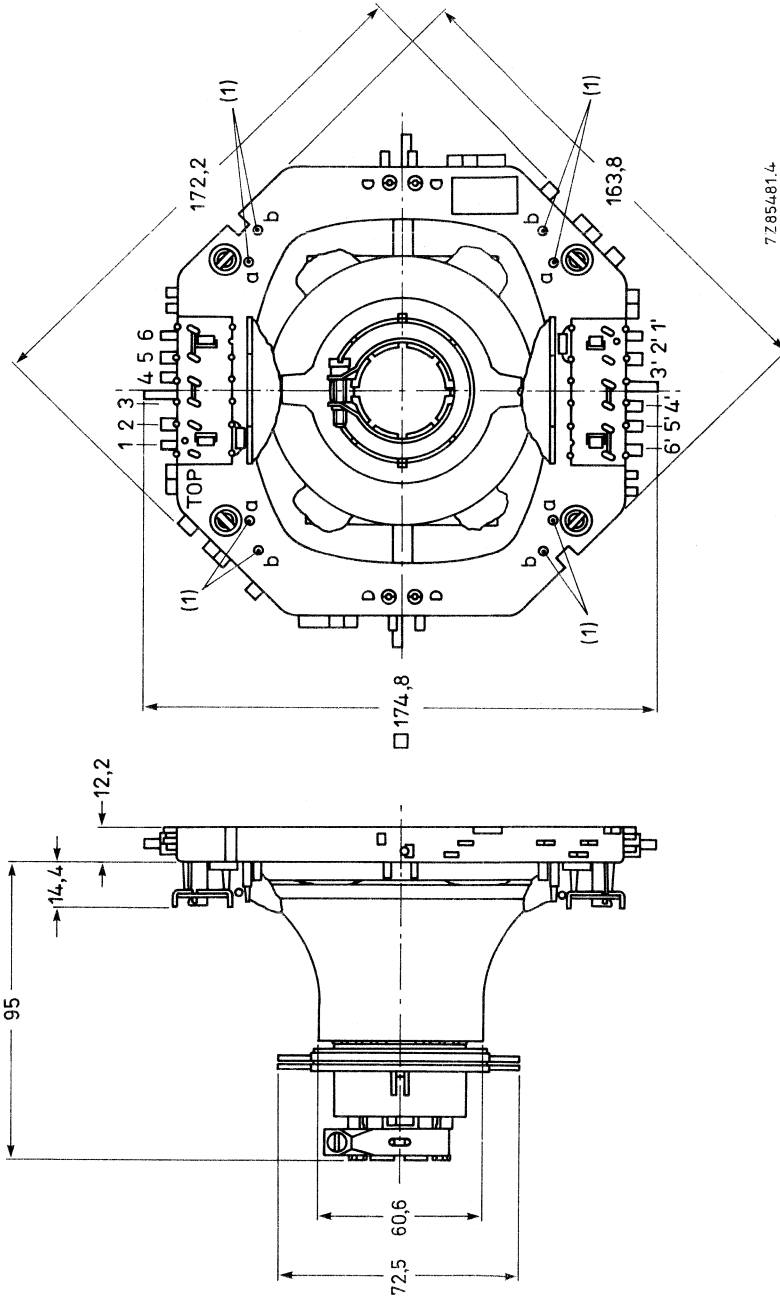


Fig.1 Deflection unit AT1039/03.

If a further improvement of raster geometry is required use can be made of correction magnets*, which must be fitted to mounting posts (1). The unit has solder pins for connection. The pin numbering in Fig.1 corresponds to that in Fig.2.

* Catalogue number 3122 134 92300. Six magnets are included in the packing of the deflection unit.

ELECTRICAL DATA

	parallel connected	series connected
Line deflection coils		
inductance	228,5 $\mu\text{H} \pm 5\%$	914 $\mu\text{H} \pm 5\%$
resistance	0,41 $\Omega \pm 5\%$	1,64 $\Omega \pm 5\%$
line deflection current, for raster scan, at 17 kV raster scan	7,34 A (p-p) $\pm 5\%$ 230 mm	3,67 A (p-p) $\pm 5\%$ 230 mm
Field deflection coils		
inductance	2,30 mH $\pm 5\%$	9,18 mH $\pm 5\%$
resistance	2,55 $\Omega \pm 5\%$	10,2 $\Omega \pm 5\%$
field deflection current, for raster scan, at 17 kV raster scan	2,06 A (p-p) $\pm 5\%$ 170 mm	1,03 A (p-p) $\pm 5\%$ 170 mm

Maximum permissible DC voltage between line and field coils

3000 V

Maximum permissible DC voltage between field coil and yoke ring

300 V

Coupling between line and field coils, at 1 V, 500 Hz

$\leq 1/100$

Note: The values apply at an ambient temperature of 23 °C.

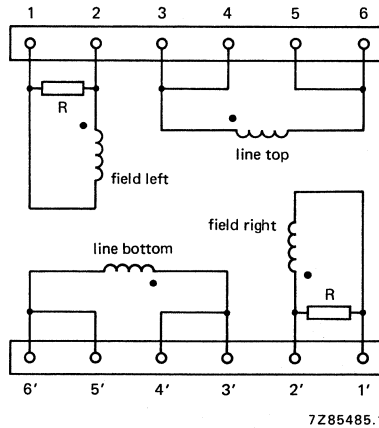


Fig. 2 Diagram of line and field coils; R = 270 Ω .
The beginning of the windings is indicated with ●.

Interconnections

	terminals to be interconnected	output terminals*	
		live	neutral
Line deflection coils			
parallel connected	3, 4 to 5', 6' and 3', 4' to 5, 6	3, <u>4</u> , 5', 6'	3', <u>4'</u> , 5, 6
series connection	3, 4 to 3', 4'	5', <u>6'</u>	<u>5</u> , 6
Field deflection coils			
parallel connected	1 to 2' and 1' to 2	<u>1'</u> , 2	1, <u>2'</u>
series connection	2 to 2'	<u>1'</u>	<u>1</u>

* Terminals which are most convenient to be used as output terminals are underlined.

Geometric distortion, without raster correction and centring magnets.

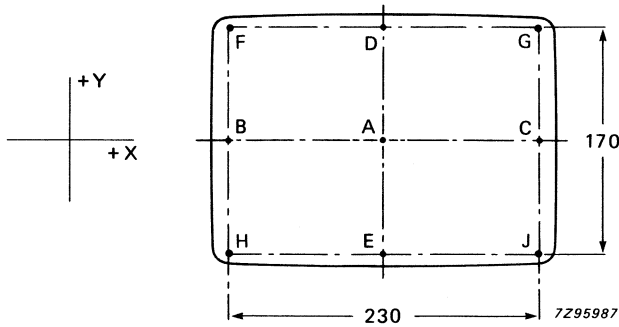


Fig. 3 Raster scan.

Obliquity

- $|F_y - G_y| \leq 3,5 \text{ mm}$
- $|G_x - J_x| \leq 3,5 \text{ mm}$
- $|J_y - H_y| \leq 3,5 \text{ mm}$
- $|H_x - F_x| \leq 3,5 \text{ mm}$
- $|D_x| \text{ and } |E_x| \leq 0,8 \text{ mm}$
- $|B_y| \text{ and } |C_y| \leq 0,5 \text{ mm}$

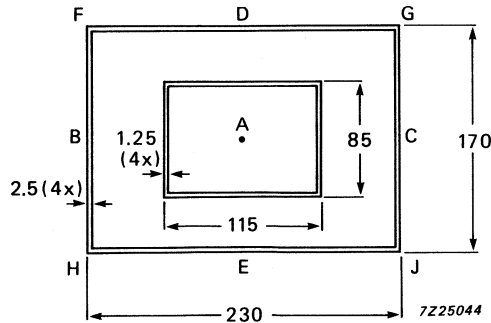


Fig. 4 Obliquity.

Note: The edges of the displayed raster should fall within the two rectangles.

Spot quality and measurement (refer to Fig. 3)

To be measured in accordance with TVV55-84-0002.

Mean spot dimension is related to the spot at point A.

$$\text{Mean spot size} = \frac{l + s}{2}$$

Where: l = longest spot axis
 s = shortest spot axis

Measuring conditions:

V_{ht} = 17 kV
 V_{g2} = 700 V
 I_a = 100 μ A

The following values for spot growth are defined with DC-deflection and optimal focus voltage V_{g4} per measuring point:

spot size B and C = spot size A + 15% \pm 20%
 spot size D and E = spot size A + 15% \pm 20%
 spot size F, G, H and J = spot size A + 25% \pm 20%

ENVIRONMENTAL DATA

Maximum operating temperature (average copper temperature)	95 °C
Maximum possible temperature rise (ΔT) as a result of coil losses, at 50 kHz	35 °C
Storage temperature range	-25 to + 95 °C
Flame retarding	according to UL1413
Flammability	according to UL94, category V1

ENVIRONMENTAL TESTS

The deflection units withstand the following tests:

Vibration	IEC 68-2-6; test Fc, procedure B4; 10-55-10 Hz, amplitude 0,35 mm, 3 x 30 min.
Bump	IEC 68-2-29, test Eb; 250 m/s ² , 1000 bumps, 6 directions.
Shock	IEC 68-2-27, test Ea; 11 ms, half-sine pulse shape, 350 m/s ² , 3 x 6 directions.
Cold	IEC 68-2-1, test Ab; 96 h, -25 °C.
Dry heat	IEC 68-2-2, test Bb; 96 h, + 95 °C.
Cyclic damp heat	IEC 68-2-30, test Db; 21 cycles, + 40 °C.
Damp heat, steady state	IEC 68-2-3, test Ca, 21 days.
Change of temperature	IEC 68-2-14, test Nb; 5 cycles of 2 h at -25 °C and 2 h at + 95 °C, duration of one cycle 5 h.

BEAM CENTRING

The deflection unit has two independently movable centring magnets of plastic-bonded Ferroxdure. These magnets are for placing the electron beam coaxially with the deflection coils. They are magnetized diametrically. By turning the magnets with respect to each other the resulting field strength is varied. The direction of the resulting magnetic field is adjusted by turning the magnets simultaneously. The required torque on the magnets is 35 to 250 mNm. See also Fig. 5.

The correct position of the magnets ensures freedom from curved lines in the centre of the raster and is beneficial with regard to raster geometry, deflection defocusing, corner cutting etc. For quality performance, picture shift should be obtained by applying d.c. current through the deflection coils. This should be done after adjustment of raster linearity and after correct phasing of displayed information in respect of the raster.

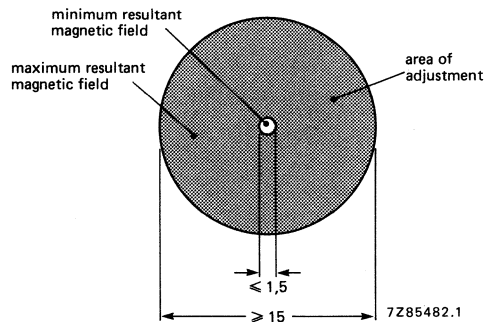


Fig. 5.

PACKING

The deflection units are packed on pallets of 10 or 15 boxes. Each box contains 24 deflection units.

DEFLECTION UNIT

- For Data Graphic Displays
- For use with high resolution 38 cm (15 in)/110° monochrome CRTs
- Optimized for minimum deflection defocusing
- Preset raster geometry for high resolution monitor tube M38-328

QUICK REFERENCE DATA

Deflection angle	110°
Neck diameter of CRT	28,6 mm
Screen diagonal of CRT	38 cm
Display format	landscape
Line deflection current for raster scan, at 17 kV	10,5 A (p-p)
Inductance of line coils, parallel connected	107,5 μ H
Field deflection current for raster scan, at 17 kV	0,95 A (p-p)
Resistance of field coils, series connected	10,4 Ω

APPLICATION

This deflection unit is for Data Graphic Displays, especially when high resolution and/or high frequency operation is required. It is developed in conjunction with the high resolution monitor tube M38-328 to provide minimum deflection defocusing and good raster geometry without additional adjustments. Deflection unit AT1039/05 is for display in horizontal (landscape, TV) format.

To utilize the full potential of these deflection units in respect of deflection defocusing, dynamic focusing has to be applied in horizontal and vertical directions.

The line scan frequency is limited by the temperature of the deflection coils. The practical value depends on environmental conditions, but in general terms the highest operating frequency is approx. 50 kHz, thanks to the use of Litz wire in the line coils. At this line frequency the temperature rise of the deflection unit is less than 35° C, the maximum allowed average copper temperature of the unit is 95° C, hence, the environmental temperature must not exceed 60 °C. Where the circuitry and cabinet design are such that an operating environmental temperature of less than 60 °C is attained, the maximum permissible line frequency may be higher than the 50 kHz specified.

To provide some choice of impedances, the terminations of the coils are brought out permitting either series or parallel connections.

When the coils are connected in parallel it is possible to provide scan at the highest frequency using existing devices. The impedance of the field coils (series connected) is adjusted for operation with integrated circuits (e.g. TDA2653A).

The following associated wound components are available for use in line time base circuits:

- AT2076/84 — universal line output transformer;
- AT4042/33A — linearity control unit (parallel connection);
- AT4042/08A — linearity control unit (series connection);
- AT4043/64 — line driver transformer;
- AT4043/29 — DC shift transformer;
- AT4044/35 — amplitude control unit.

A universal monitor design (C64) has been developed, which is based on AT1039 deflection coils; it permits adjustment of the operating frequencies to the desired value by replacement of a few components only.

Further details are available on request.

DESCRIPTION

The line and field deflection coils are basically saddle-shaped and are surrounded by a Ferroxcube yoke ring. A special winding technique guarantees a precise magnetic field and a high reproducibility. Ferroxdure magnets are provided for beam centring. Provisions are made for mounting raster correction magnets.

The unit meets the self-extinguishing requirements of CSA, IEC and UL.

The top of the unit is marked.

MOUNTING

The unit should be mounted as far forward as possible on the neck of the tube so that it touches the cone; the maximum push-on force on the tube is 50 N.

To orient the raster correctly, the unit may be rotated by hand on the neck of the tube, with which it makes a slip fit. A screw-tightened clamping ring permits it to be locked, both axially and radially, in the desired position; the tightening torque is 0,75 to 0,90 Nm.

DEVELOPMENT DATA

Dimensions in mm

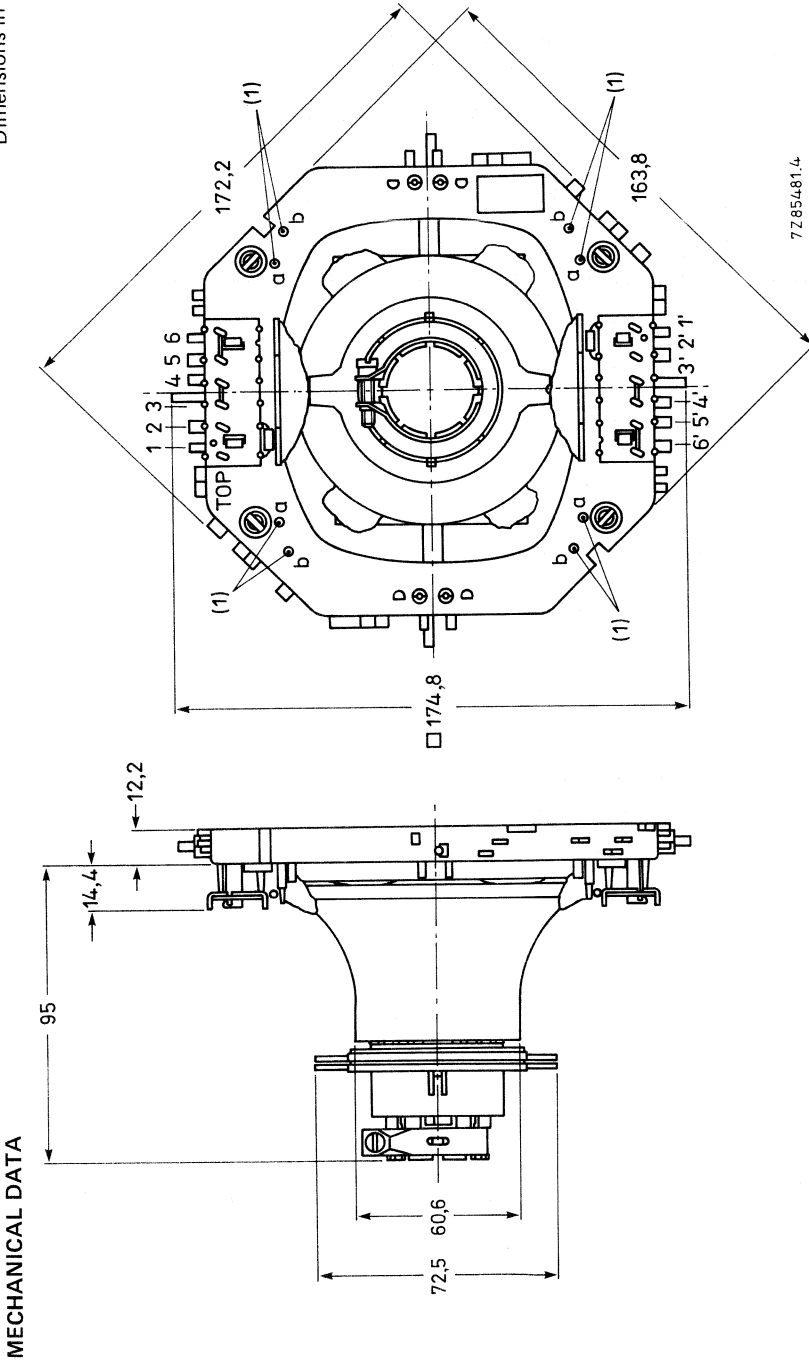


Fig. 1 Deflection unit AT1039/05.

If a further improvement of raster geometry is required use can be made of correction magnets*, which must be fitted to mounting posts (1). The unit has solder pins for connection. The pin numbering in Fig. 1 corresponds to that in Fig. 2.

* Catalogue number 3122 134 92300.

ELECTRICAL DATA

	parallel connected	series connected
Line deflection coils		
inductance	107,5 $\mu\text{H} \pm 5\%$	430 $\mu\text{H} \pm 5\%$
resistance	0,18 $\Omega \pm 10\%$	0,72 $\Omega \pm 5\%$
line deflection current for raster scan, at 17 kV raster scan	10,5 A (p-p) $\pm 5\%$ 259 mm	5,25 A (p-p) $\pm 5\%$ 259 mm
Field deflection coils		
inductance	2,38 mH $\pm 5\%$	9,5 mH $\pm 5\%$
resistance	2,6 $\Omega \pm 5\%$	10,4 $\Omega \pm 5\%$
field deflection current for raster scan, at 17 kV raster scan	1,9 A (p-p) $\pm 5\%$ 194 mm	0,95 A (p-p) $\pm 5\%$ 194 mm

Maximum permissible DC voltage between line and field coils 3000 V

Maximum permissible DC voltage between field coil and yoke ring 300 V

Coupling between line and field coils, at 1 V, 500 Hz $\leq 1/100$

Note: The values apply at an ambient temperature of 23 °C

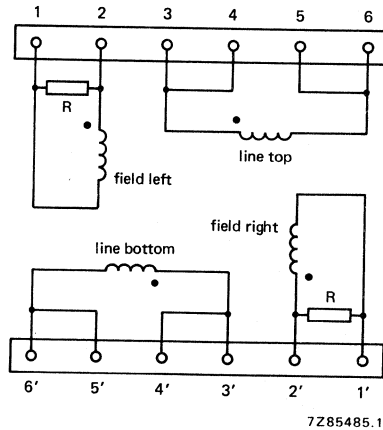


Fig. 2 Diagram of line and field coils; R = 270 Ω . The beginning of the windings is indicated with ●.

Interconnections

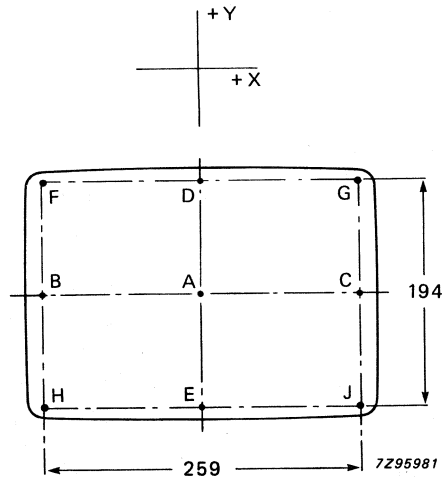
	terminals to be interconnected	output terminals*	
		live	neutral
Line deflection coils			
parallel connection	3, 4 to 5', 6' and 3', 4' to 5, 6	<u>3</u> , <u>4</u> , 5', 6'	3', <u>4</u> ', 5, 6
series connection	3, 4 to 3', 4'	5', <u>6</u> '	<u>5</u> , 6
Field deflection coils			
parallel connection	1 to 2' and 1' to 2	<u>1</u> ', 2	1, <u>2</u> '
series connection	2 to 2'	<u>1</u> '	<u>1</u>

* Terminals which are most convenient to be used as output terminals are underlined.

Geometric distortion, without raster correction and centring magnets.

DEVELOPMENT DATA

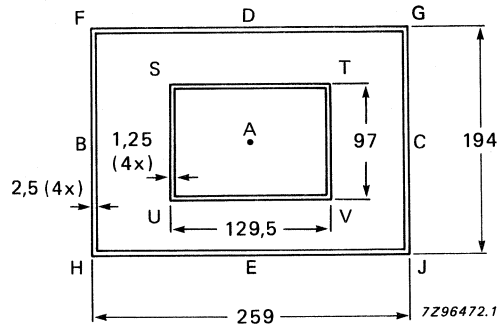
Fig. 3 Raster scan.



Obliquity

- $|Fy-Gy| \leq 2,0 \text{ mm}$
- $|Gx-Jx| \leq 2,0 \text{ mm}$
- $|Jy-Hy| \leq 2,0 \text{ mm}$
- $|Hx-Fx| \leq 2,0 \text{ mm}$
- $|Dx-Ex| \leq 0,5 \text{ mm}$
- $|By-Cy| \leq 0,5 \text{ mm}$

Fig. 4 Obliquity.



Note: The edges of the displayed raster should fall within the two rectangles.

Spot quality and measurement (refer to Fig. 3)

To be measured according to TVV55-84-0002.

Mean spot dimension is related to the spot at point A.

$$\text{Mean spot size} = \frac{1 + s}{2} \quad \text{Where; } 1 = \text{longest spot axis}$$

$$s = \text{shortest spot axis}$$

Measuring conditions:

$$V_{ht} = 17 \text{ kV}$$

$$V_{g2} = 700 \text{ V}$$

$$I_a = 100 \mu\text{A}$$

The following values for spot growth are defined with DC-deflection and optimal focus voltage V_{g4} per measuring point:

spot size B and C = spot size A + 15% ± 20%

spot size D and E = spot size A + 15% ± 20%

spot size F,G,H and J = spot size A + 25% ± 20%

ENVIRONMENTAL DATA

Maximum operating temperature (average copper temperature)	95 °C
Maximum possible temperature rise (ΔT) as a result of coil losses at 50 kHz	35 °C
Storage temperature range	-25 to + 95 °C
Flame retarding	according to UL1413
Flammability	according to UL94, category V1

ENVIRONMENTAL TESTS

The deflection units withstand the following tests:

Vibration	IEC 68-2-6; test Fc, procedure B4; 10-55-10 Hz, amplitude 0,35 mm, 3 x 30 min.
Bump	IEC 68-2-29, test Eb; 250 m/s ² , 1000 bumps, 6 directions.
Shock	IEC 68-2-27, test Ea; 11 ms, half-sine pulse shape, 350 m/s ² , 3 x 6 directions.
Cold	IEC 68-2-1, test Ab; 96 h, -25 °C.
Dry heat	IEC 68-2-2, test Bb; 96 h, + 95 °C.
Cyclic damp heat	IEC 68-2-30, test Db; 21 cycles, + 40 °C.
Damp heat, steady state	IEC 68-2-3, test Ca, 21 days.
Change of temperature	IEC 68-2-14, test Nb; 5 cycles of 2 h at -25 °C and 2 h at + 95 °C, duration of one cycle 5 h.

BEAM CENTRING

The deflection units have two independently movable centring magnets of plastic-bonded Ferroxdure. These magnets are for placing the electron beam coaxially with the deflection coils. They are magnetized diametrically. By turning the magnets with respect to each other the resulting field strength is varied. The direction of the resulting magnetic field is adjusted by turning the magnets simultaneously. The required torque on the magnets is 35 to 250 mNm. See also Fig. 5.

The correct position of the magnets ensures freedom from curved lines in the centre of the raster and is beneficial with regard to raster geometry, deflection defocusing, corner cutting etc. For quality performance, picture shift should be obtained by applying d.c. current through the deflection coils.

This should be done after adjustment of raster linearity and after correct phasing of displayed information in respect of the raster.

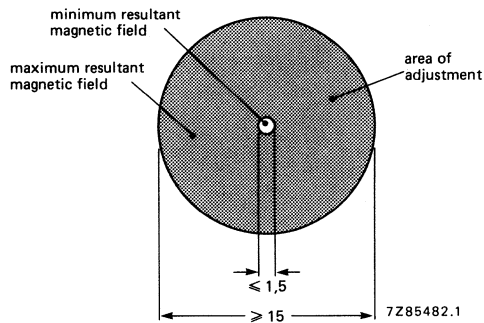


Fig. 5.

PACKING

The deflection units are packed on pallets of 10 or 15 boxes. Each box contains 24 deflection units.

DEFLECTION UNITS

- For Data Graphic Displays
- For use with high resolution 47 cm (20 in) and 41 cm (17 in)/110° monochrome CRTs
- Optimized for minimum deflection defocusing
- Preset raster geometry for high resolution monitor tubes M47EAA and M41EAA
- Electrical data given is for M47EAA
- Separate types for landscape and portrait formats

QUICK REFERENCE DATA

	AT1039/08	AT1039/09
Deflection angle	110°	110°
Neck diameter of CRT	28,6 mm	28,6 mm
Screen diagonal of CRT	47/41 cm	47/41 cm
Display format	portrait	landscape
Line deflection current for raster scan, at 20 kV	6,27 A (p-p)	8,16 A (p-p)
Inductance of line coils, parallel connected	230 μH	213 μH
Field deflection current for raster scan, at 20 kV	1,39 A (p-p)	1,08 A (p-p)
Resistance of field coils, series connected	10,4 Ω	10,5 Ω

APPLICATION

These deflection units are for Data Graphic Displays, especially when high resolution and/or high frequency operation is required. They are developed in conjunction with the high resolution monitor tube M47EAA to provide minimum deflection defocusing and good raster geometry without additional adjustments. The AT1039/08 and AT1039/09 display the same very high performance when used in conjunction with the M41EAA high resolution monitor tube.

Deflection unit AT1039/08 is for displays in vertical (portrait) format, AT1039/09 for displays in horizontal (landscape, TV) format.

To utilize the full potential of these deflection units in respect of deflection defocusing, dynamic focusing has to be applied in horizontal and vertical directions.

The line scan frequency is limited by the temperature of the deflection coils. The practical value depends on environmental conditions, but in general terms the highest operating frequency is approx. 50 kHz in landscape format and approx. 70 kHz in portrait format. At this line frequency the temperature rise of the deflection unit is less than 35 °C, the maximum allowed average copper temperature of the unit is 95 °C, hence, the environmental temperature must not exceed 60 °C. ←

Where the circuitry and cabinet design are such that an operating environmental temperature of less than 60 °C is attained, the maximum permissible line frequency may be higher than the 50 kHz/70 kHz ← specified.

To provide some choice of impedances, the termination of the coils are brought out permitting either series or parallel connections.

When the coils are connected in parallel it is possible to provide scan at the highest frequency using existing devices. The impedance of the field coils (series connected) is adjusted for operation with integrated circuits (e.g. TDA2653A).

The following associated wound components are available for use in line time base circuits:

- AT2076/84 – universal line output transformer;
- AT4042/33A – linearity control unit (parallel connection);
- AT4042/08A – linearity control unit (series connection);
- AT4043/64 – line driver transformer;
- AT4043/29 – d.c. shift transformer;
- AT4044/35 – amplitude control unit.

A universal monitor design (C64) has been developed, which is based on AT1039 deflection coils; it permits adjustment of the operating frequencies to the desired value by replacement of a few components only.

Further details are available on request.

DESCRIPTION

The line and field deflection coils are basically saddle-shaped and are surrounded by a Ferroxcube yoke ring. A special winding technique guarantees a precise magnetic field and a high reproducibility. Ferroxdure magnets are provided for beam centring. Provisions are made for mounting raster correction magnets.

The units meet the self-extinguishing requirements of CSA, IEC and UL.

The top of the units is marked.

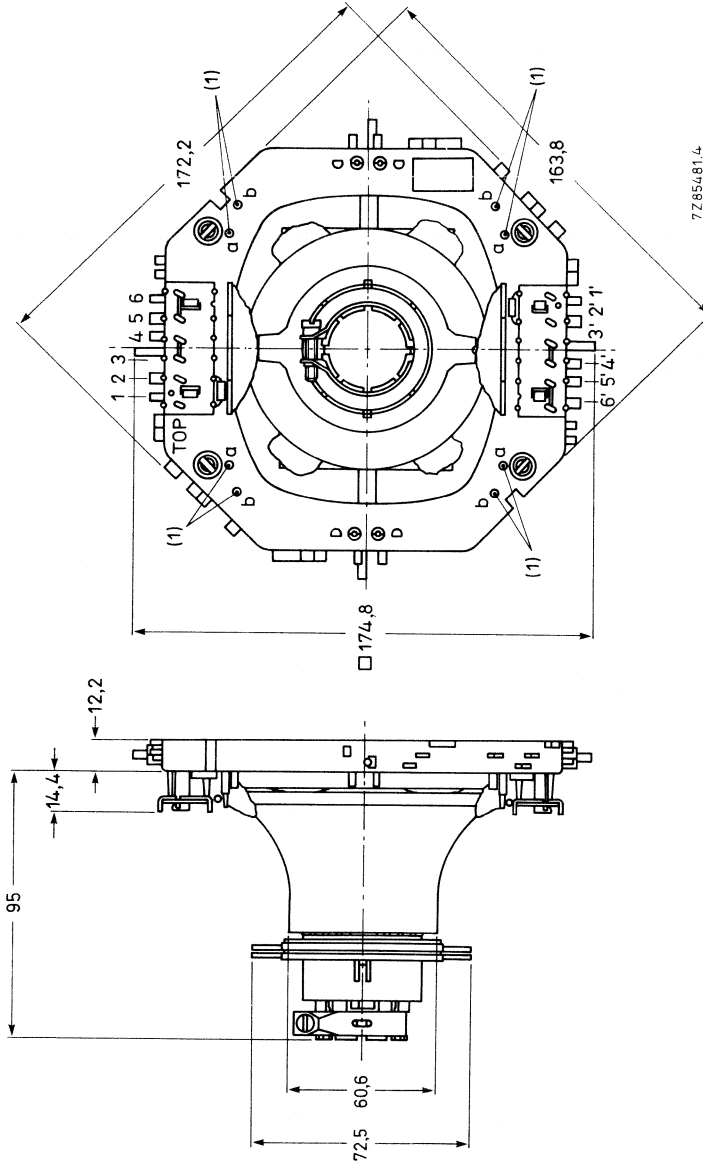
MOUNTING

The unit should be mounted as far forward as possible on the neck of the tube so that it touches the cone; the maximum push-on force on the tube is 50 N.

To orient the raster correctly, the unit may be rotated by hand on the neck of the tube, with which it makes a slip fit. A screw-tightened clamping ring permits it to be locked, both axially and radially, in the desired position; the tightening torque is 0,75 to 0,90 Nm.

DEVELOPMENT DATA

Dimensions in mm



MECHANICAL DATA

Fig. 1 Deflection units AT1039/08 and AT1039/09.

If a further improvement of raster geometry is required use can be made of correction magnets*, which must be fitted to mounting posts (1); posts a to be used for AT1039/08, posts b for AT1039/09. The unit has solder pins for connection. The pin numbering in Fig. 1 corresponds to that in Fig. 2.

* Catalogue number 3122 134 92300.

MECHANICAL DATA

	AT1039/08		AT1039/09	
	parallel connected	series connected	parallel connected	series connected
Line deflection coils				
inductance	230 $\mu\text{H} \pm 5\%$	920 $\mu\text{H} \pm 5\%$	213 $\mu\text{H} \pm 5\%$	852 $\mu\text{H} \pm 5\%$
resistance	0.39 $\Omega \pm 5\%$	1.56 $\Omega \pm 5\%$	0.37 $\Omega \pm 5\%$	1.48 $\Omega \pm 5\%$
line deflection current, for raster scan, at 20 kV raster scan	6.27 A (p-p) $\pm 5\%$ 261 mm	3.14 A (p-p) $\pm 5\%$ 261 mm	8.16 A (p-p) $\pm 5\%$ 348 mm	4.03 A (p-p) $\pm 5\%$ 348 mm
Field deflection coils				
inductance	2.33 mH $\pm 5\%$	9.30 mH $\pm 5\%$	2.38 mH $\pm 5\%$	9.50 mH $\pm 5\%$
resistance	2.60 $\Omega \pm 5\%$	10.4 $\Omega \pm 5\%$	2.63 $\Omega \pm 5\%$	10.5 $\Omega \pm 5\%$
field deflection current, for raster scan, at 20 kV raster scan	2.78 A (p-p) $\pm 5\%$ 348 mm	1.39 A (p-p) $\pm 5\%$ 348 mm	2.16 A (p-p) $\pm 5\%$ 261 mm	1.08 A (p-p) $\pm 5\%$ 261 mm

Maximum permissible DC voltage between line and field coils 3000 V
 Maximum permissible DC voltage between field coil and yoke ring 300 V
 Coupling between line and field coils, at 1 V, 500 Hz $\leq 1/100$

Note: The values apply at an ambient temperature of 23 °C.

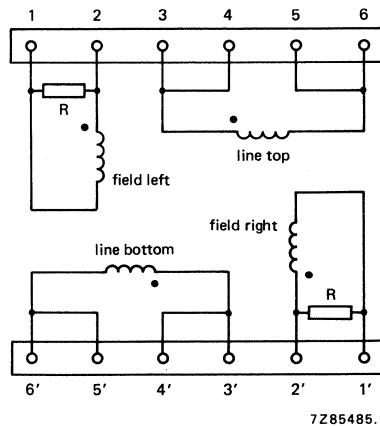


Fig. 2 Diagram of line and field coils; R = 270 Ω . The beginning of the windings is indicated with ●.

Interconnections

	terminals to be interconnected	output terminals*	
		live	neutral
<u>Line deflection coils</u>			
parallel connection	3, 4 to 5', 6' and 3', 4' to 5, 6	<u>3, 4</u> 5', 6'	3', <u>4'</u> , 5, 6
series connection	3, 4 to 3', 4'	5', <u>6'</u>	<u>5</u> , 6
<u>Field deflection coils</u>			
parallel connection	1 to 2' and 1' to 2	<u>1'</u> , 2	1, <u>2'</u>
series connection	2 to 2'	<u>1'</u>	<u>1</u>

* Terminals which are most convenient to be used as output terminals are underlined.

Geometric distortion, without raster correction and centring magnets.

DEVELOPMENT DATA

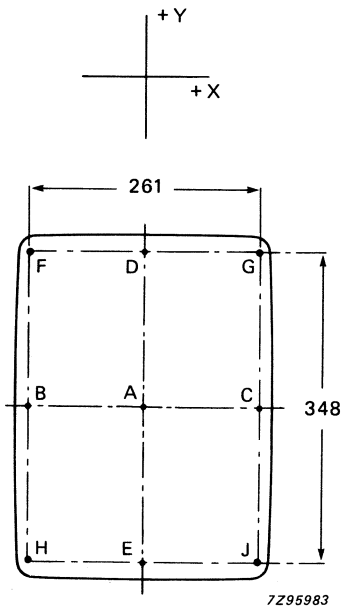


Fig. 3a AT1039/08.

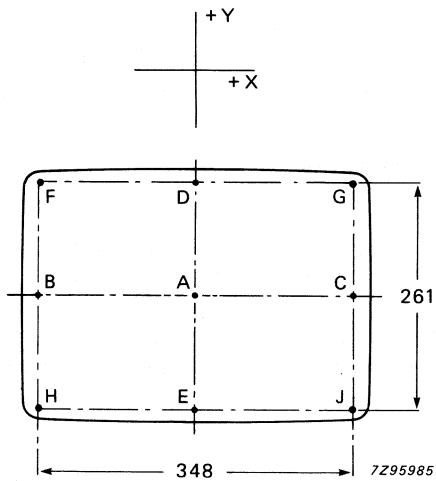


Fig. 3b AT1039/09.

ENVIRONMENTAL DATA

Maximum operating temperature (average copper temperature)	95 °C
Maximum possible temperature rise (ΔT) as a result of coil losses at 50 kHz and 70 kHz respectively	35 °C
Storage temperature range	-25 to + 95 °C
Flame retarding	according to UL1413
Flammability	according to UL94, category V1

ENVIRONMENTAL TESTS

The deflection units withstand the following tests:

DEVELOPMENT DATA

Vibration	IEC 68-2-6; test Fc, procedure B4; 10-55-10 Hz, amplitude 0,35 mm, 3 x 30 min.
Bump	IEC 68-2-29, test Eb; 250 m/s ² , 1000 bumps, 6 directions.
Shock	IEC 68-2-27, test Ea; 11 ms, half-sine pulse shape, 350 m/s ² , 3 x 6 directions.
Cold	IEC 68-2-1, test Ab; 96 h, -25 °C.
Dry heat	IEC 68-2-2, test Bb; 96 h, + 95 °C.
Cyclic damp heat	IEC 68-2-30, test Db; 21 cycles, + 40 °C.
Damp heat, steady state	IEC 68-2-3, test Ca, 21 days.
Change of temperature	IEC 68-2-14, test Nb; 5 cycles of 2 h at -25 °C and 2 h at + 95 °C, duration of one cycle 5 h.

BEAM CENTRING

The deflection units have two independently movable centring magnets of plastic-bonded Ferroxdure. These magnets are for placing the electron beam coaxially with the deflection coils. They are magnetized diametrically. By turning the magnets with respect to each other the resulting field strength is varied. The direction of the resulting magnetic field is adjusted by turning the magnets simultaneously. The required torque on the magnets is 35 to 250 mNm. See also Fig. 5.

The correct position of the magnets ensures freedom from curved lines in the centre of the raster and is beneficial with regard to raster geometry, deflection defocusing, corner cutting etc. For quality performance, picture shift should be obtained by applying d.c. current through the deflection coils. This should be done after adjustment of raster linearity and after correct phasing of displayed information in respect of the raster.

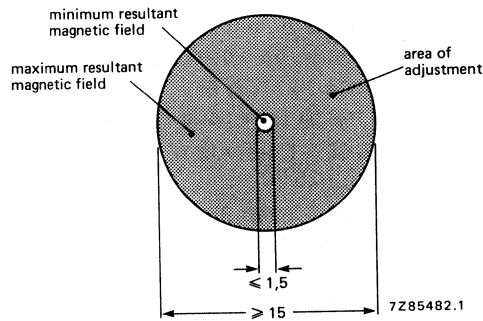


Fig. 5.

PACKING

The deflection units are packed on pallets of 10 or 15 boxes. Each box contains 24 deflection units.

DEVELOPMENT DATA

This data sheet contains advance information and specifications are subject to change without notice.

AT1039/20
AT1039/21

DEFLECTION UNITS

- For Data Graphic Displays
- For use with high resolution 36 cm (15 in)/110 FLAT SQUARE monochrome CRT's
- Optimized for minimum deflection defocusing
- Preset raster geometry for high resolution monitor tube M36EAB
- Separate types for landscape and portrait formats

QUICK REFERENCE DATA

	AT1039/20	AT1039/21
Deflection angle	110°	110°
Neck diameter of CRT	28.6 mm	28.6 mm
Screen diagonal of CRT	36 cm	36 cm
Display format	portrait	landscape
Line deflection current for raster scan, at 17 kV	5.66 A (p-p)	7.64 A (p-p)
Inductance of line coils, parallel connected	233 μ H	205 μ H
Field deflection current for raster scan, at 17 kV	1.32 A (p-p)	0.95 A (p-p)
Resistance of field coils, series connected	10.0 Ω	10.4 Ω

APPLICATION

These deflection units are for Data Graphic Displays, especially when high resolution and/or high frequency operation is required. They are developed in conjunction with the high resolution monitor tube M36EAB to provide minimum deflection defocusing and good raster geometry without additional adjustments.

Deflection unit AT1039/20 is for displays in vertical (portrait) format, AT1039/21 for displays in horizontal (landscape, TV) format.

To utilize the full potential of these deflection units in respect of deflection defocusing, dynamic focusing has to be applied in horizontal and vertical directions.

The line scan frequency is limited by the temperature of the deflection coils. The practical value depends on environmental conditions, but in general terms the highest operating frequency is approx. 50 kHz in landscape format and approx. 70 kHz in portrait format. At this line frequency the temperature rise of the deflection unit is less than 35 °C, the maximum allowed average copper temperature of the unit is 95 °C, hence, the environmental temperature must not exceed 60 °C.

Where the circuitry and cabinet design are such that an operating environmental temperature of less than 60 °C is attained, the maximum permissible line frequency may be higher than the 50 kHz/70 kHz specified.

To provide some choice of impedances, the termination of the coils are brought out permitting either series or parallel connections.

When the coils are connected in parallel it is possible to provide scan at the highest frequency using existing devices. The impedance of the field coils (series connected) is adjusted for operation with integrated circuits (e.g. TDA2653A).

The following associated wound components are available for use in line time base circuits:

- AT2076/84 — universal line output transformer;
- AT4042/33A — linearity control unit (parallel connection);
- AT4042/08A — linearity control unit (series connection);
- AT4043/64 — line driver transformer;
- AT4043/29 — d.c. shift transformer;
- AT4044/35 — amplitude control unit.

A universal monitor design (C64) has been developed, which is based on AT1039 deflection coils; it permits adjustment of the operating frequencies to the desired value by replacement of a few components only.

Further details are available on request.

DESCRIPTION

The line and field deflection coils are basically saddle-shaped and are surrounded by a Ferroxcube yoke ring. A special winding technique guarantees a precise magnetic field and a high reproducibility. Ferroxdure magnets are provided for beam centring. Provisions are made for mounting raster correction magnets.

The units meet the self-extinguishing requirements of CSA, IEC and UL.

The top of the units is marked.

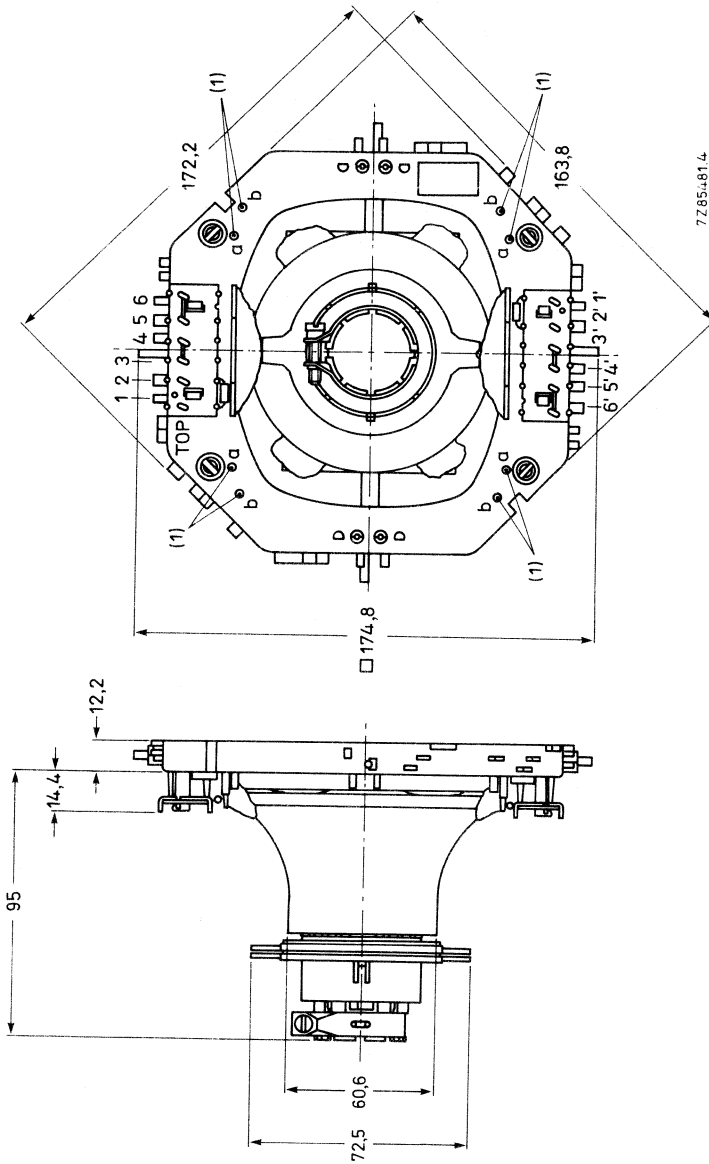
MOUNTING

The unit should be mounted as far forward as possible on the neck of the tube so that it touches the cone; the maximum push-on force on the tube is 50 N.

To orient the raster correctly, the unit may be rotated by hand on the neck of the tube, with which it makes a slip fit. A screw-tightened clamping ring permits it to be locked, both axially and radially, in the desired position; the tightening torque is 0.75 to 0.90 Nm.

DEVELOPMENT DATA

Dimensions in mm



MECHANICAL DATA

Fig. 1 Deflection units AT 1039/20 and AT 1039/21.

If a further improvement of raster geometry is required use can be made of correction magnets*, which must be fitted to mounting posts (1); posts a to be used for AT1039/20, posts b for AT1039/21. The unit has solder pins for connection. The pin numbering in Fig. 1 corresponds to that in Fig. 2.

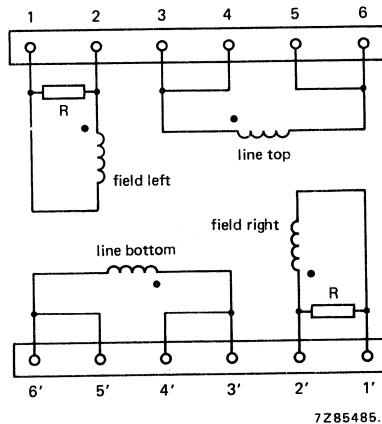
* Catalogue number 3122 134 92300.

ELECTRICAL DATA

	AT1039/20		AT1039/21	
	parallel connected	series connected	parallel connected	series connected
Line deflection coils				
inductance	233 $\mu\text{H} \pm 5\%$	932 $\mu\text{H} \pm 5\%$	205 $\mu\text{H} \pm 5\%$	820 $\mu\text{H} \pm 5\%$
resistance	0.38 $\Omega \pm 5\%$	1.52 $\Omega \pm 5\%$	0.35 $\Omega \pm 5\%$	1.40 $\Omega \pm 5\%$
line deflection current for raster scan at 17 kV raster scan	5.66 A(p-p) $\pm 5\%$ 200 mm	2.83 A(p-p) $\pm 5\%$ 200 mm	7.64 A(p-p) $\pm 5\%$ 267 mm	3.82 A(p-p) $\pm 5\%$ 267 mm
Field deflection coils				
inductance	2.20 mH $\pm 5\%$	8.80 mH $\pm 5\%$	2.38 mH $\pm 5\%$	9.50 mH $\pm 5\%$
resistance	2.50 $\Omega \pm 5\%$	10.0 $\Omega \pm 5\%$	2.60 $\Omega \pm 5\%$	10.4 $\Omega \pm 5\%$
field deflection current for raster scan at 17 kV raster scan	2.64 A(p-p) $\pm 5\%$ 267 mm	1.32 A(p-p) $\pm 5\%$ 267 mm	1.90 A(p-p) $\pm 5\%$ 200 mm	0.95 A(p-p) $\pm 5\%$ 200 mm

Maximum permissible DC voltage between line and field coils 3000 V
 Maximum permissible DC voltage between field coil and yoke ring 300 V
 Coupling between line and field coils, at 1 V, 500 Hz $\leq 1/100$

Note: The values apply at an ambient temperature of 23 °C.



7285485.1

Fig. 2 Diagram of line and field coils; R = 270 Ω . The beginning of the windings is indicated with ●.

Interconnections

	terminals to be interconnected	output terminals*	
		live	neutral
<u>Line deflection coils</u>			
parallel connection	3, 4 to 5', 6' and 3', 4' to 5, 6	<u>3, 4</u> <u>5', 6'</u>	<u>3', 4'</u> , 5, 6
series connection	3, 4 to 3', 4'	<u>5', 6'</u>	<u>5, 6</u>
<u>Field deflection coils</u>			
parallel connection	1 to 2' and 1' to 2	<u>1', 2</u>	<u>1, 2'</u>
series connection	2 to 2'	<u>1'</u>	<u>1</u>

* Terminals which are most convenient to be used as output terminals are underlined.

Geometric distortion, without raster correction and centring magnets.

DEVELOPMENT DATA

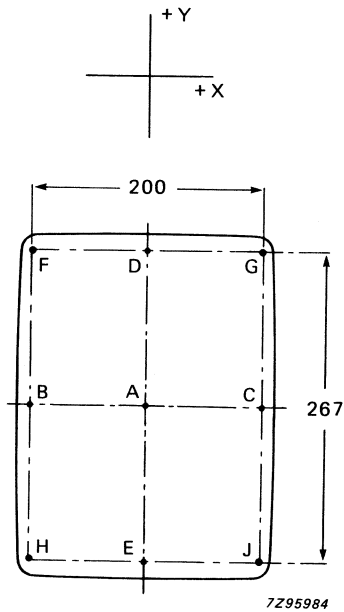


Fig. 3a AT1039/20.

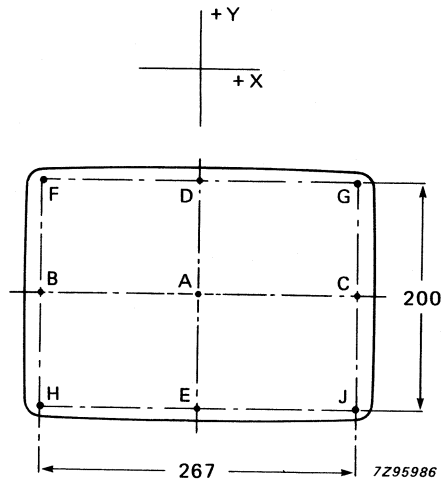


Fig. 3b AT1039/21.

ENVIRONMENTAL DATA

Maximum operating temperature (average copper temperature)	95 °C
Maximum possible temperature rise (ΔT) as a result of coil losses at 50 kHz and 70 kHz respectively	35 °C
Storage temperature range	-25 to + 95 °C
Flame retarding	according to UL1413
Flammability	according to UL94, category V1

ENVIRONMENTAL TESTS

The deflection units withstand the following tests:

DEVELOPMENT DATA

Vibration	IEC 68-2-6; test Fc, procedure B4; 10-55-10 Hz, amplitude 0,35 mm, 3 x 30 min.
Bump	IEC 68-2-29, test Eb; 250 m/s ² , 1000 bumps, 6 directions.
Shock	IEC 68-2-27, test Ea; 11 ms, half-sine pulse shape, 350 m/s ² , 3 x 6 directions.
Cold	IEC 68-2-1, test Ab; 96 h, -25 °C.
Dry heat	IEC 68-2-2, test Bb; 96 h, + 95 °C.
Cyclic damp heat	IEC 68-2-30, test Db; 21 cycles, + 40 °C.
Damp heat, steady state	IEC 68-2-3, test Ca, 21 days.
Change of temperature	IEC 68-2-14, test Nb; 5 cycles of 2 h at -25 °C and 2 h at + 95 °C, duration of one cycle 5 h.

BEAM CENTRING

The deflection units have two independently movable centring magnets of plastic-bonded Ferroxdure. These magnets are for placing the electron beam coaxially with the deflection coils. They are magnetized diametrically. By turning the magnets with respect to each other the resulting field strength is varied. The direction of the resulting magnetic field is adjusted by turning the magnets simultaneously. The required torque on the magnets is 35 to 250 mNm. See also Fig. 5.

The correct position of the magnets ensures freedom from curved lines in the centre of the raster and is beneficial with regard to raster geometry, deflection defocusing, corner cutting etc. For quality performance, picture shift should be obtained by applying d.c. current through the deflection coils. This should be done after adjustment of raster linearity and after correct phasing of displayed information in respect of the raster.

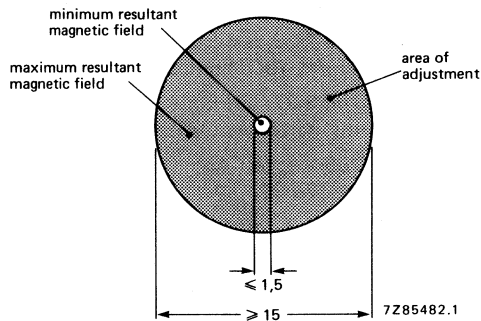


Fig. 5.

PACKING

The deflection units are packed on pallets of 10 or 15 boxes. Each box contains 24 deflection units.

DEFLECTION UNIT

- For Data Graphic Displays
- For use with high resolution 47 cm (20 in) and 41 cm (17 in)/110° monochrome CRTs
- Optimized for minimum deflection defocusing
- Preset raster geometry for high resolution monitor tubes M47EAA and M41EAA
- Electrical data given is for M47EAA

QUICK REFERENCE DATA

Deflection angle	110°
Neck diameter of CRT	28,6 mm
Screen diagonal of CRT	47/41 cm
Display format	landscape
Line deflection current for raster scan, at 17,5 kV	11,0 A (p-p)
Inductance of line coils, parallel connected	111 μ A
Field deflection current for raster scan, at 17,5 kV	1,04 A (p-p)
Resistance of field coils, series connected	10,4 Ω

APPLICATION

This deflection unit is for Data Graphic Displays, especially when high resolution and/or high frequency operation is required. It is developed in conjunction with the high resolution monitor tube M47EAA to provide minimum deflection defocusing and good raster geometry without additional adjustments. Deflection unit AT1039/39 is for displays in horizontal (landscape, TV) format.

The AT1039/39 displays the same very high performance when used in conjunction with the M41EAA high resolution monitor tube.

To utilize the full potential of these deflection units in respect of deflection defocusing, dynamic focusing has to be applied in horizontal and vertical directions.

The line scan frequency is limited by the temperature of the deflection coils. The practical value depends on environmental conditions, but in general terms the highest operating frequency is approx. 50 kHz. At this line frequency the temperature rise of the deflection unit is less than 35°C, the maximum allowed average copper temperature of the unit is 95 °C, hence, the environmental temperature must not exceed 60 °C. Where the circuitry and cabinet design are such that an operating environmental temperature of less than 60 °C is attained, the maximum permissible line frequency may be higher than the 50 kHz specified.

To provide some choice of impedances, the terminations of the coils are brought out permitting either series or parallel connections.

When the coils are connected in parallel it is possible to provide scan at the highest frequency using existing devices. The impedance of the field coils (series connected) is adjusted for operation with integrated circuits (e.g. TDA2653A).



The following associated wound components are available for use in line time base circuits:

- AT2076/84 – universal line output transformer;
- AT4042/33A – linearity control unit (parallel connection);
- AT4042/08A – linearity control unit (series connection);
- AT4043/64 – line driver transformer;
- AT4043/29 – DC. shift transformer;
- AT4044/35 – amplitude control unit.

A universal monitor design (C64) has been developed, which is based on AT1039 deflection coils; it permits adjustment of the operating frequencies to the desired value by replacement of a few components only.

Further details are available on request.

DESCRIPTION

The line and field deflection coils are basically saddle-shaped and are surrounded by a Ferroxcube yoke ring. A special winding technique guarantees a precise magnetic field and a high reproducibility. Ferroxdure magnets are provided for beam centring. Provisions are made for mounting raster correction magnets.

The unit meets the self-extinguishing requirements of CSA, IEC and UL.

The top of the unit is marked.

MOUNTING

The unit should be mounted as far forward as possible on the neck of the tube so that it touches the cone; the maximum push-on force on the tube is 50 N.

To orient the raster correctly, the unit may be rotated by hand on the neck of the tube, with which it makes a slip fit. A screw-tightened clamping ring permits it to be locked, both axially and radially, in the desired position; the tightening torque is 0,75 to 0,90 Nm.

DEVELOPMENT DATA

Dimensions in mm

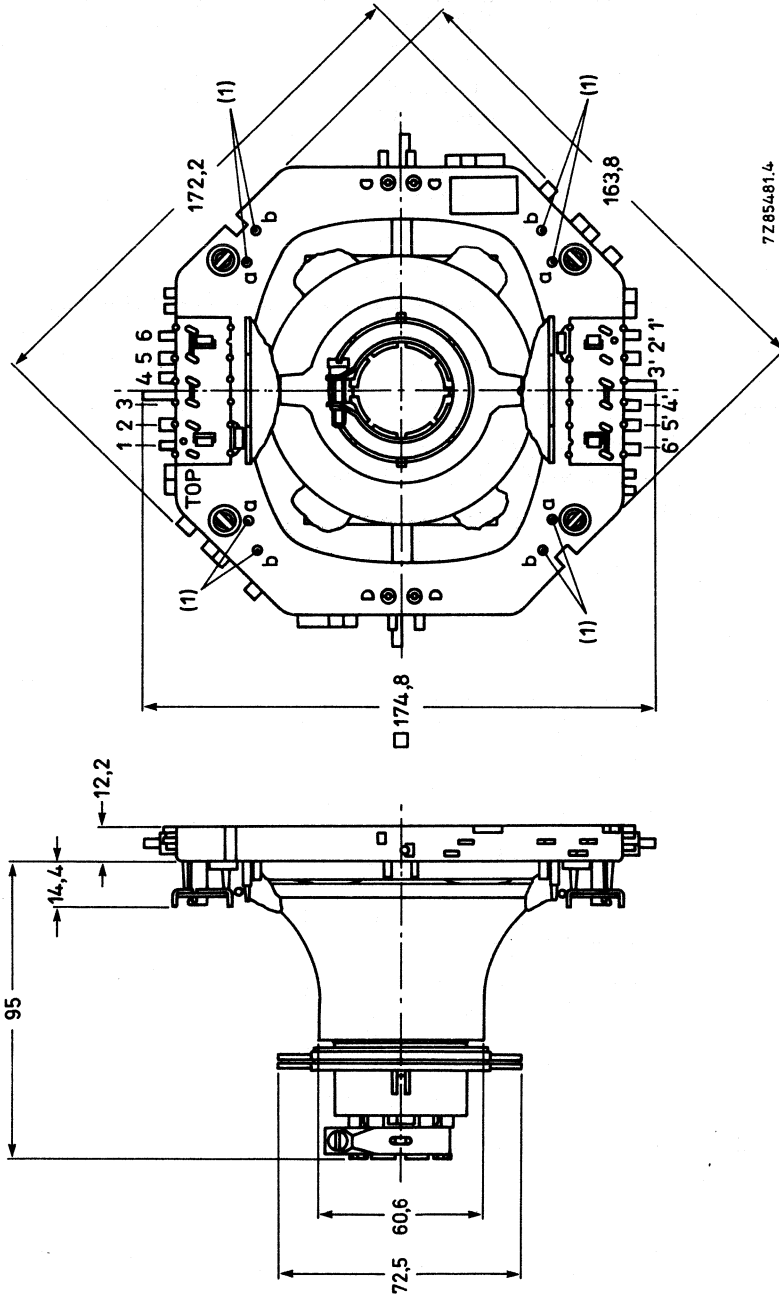


Fig. 1 Deflection unit AT1039/39.

If a further improvement of raster geometry is required use can be made of correction magnets*, which must be fitted to mounting posts (1). The unit has solder pins for connection. The pin numbering in Fig. 1 corresponds to that in Fig. 2.

* Catalogue number 3122 134 92300.

ELECTRICAL DATA

	parallel connected	series connected
Line deflection coils		
inductance	111 $\mu\text{H} \pm 5\%$	444 $\mu\text{H} \pm 5\%$
resistance	0.18 $\Omega \pm 10\%$	0.72 $\Omega \pm 5\%$
line deflection current for raster scan, at 17,5 kV raster scan	11.0 A (p-p) $\pm 5\%$ 348 mm	5.50 A (p-p) $\pm 5\%$ 348 mm
Field deflection coils		
inductance	2.38 mH $\pm 5\%$	9.5 mH $\pm 5\%$
resistance	2.60 $\Omega \pm 5\%$	10.4 $\Omega \pm 5\%$
field deflection current for raster scan, at 17.5 kV raster scan	2.08 A (p-p) $\pm 5\%$ 261 mm	1.04 A (p-p) $\pm 5\%$ 261 mm

Maximum permissible DC voltage between line and field coils **3000 V**
 Maximum permissible DC voltage between field coil and yoke ring **300 V**
 Coupling between line and field coils, at 1 V, 500 Hz **$\leq 1/100$**

Note: The values apply at an ambient temperature of 23 °C

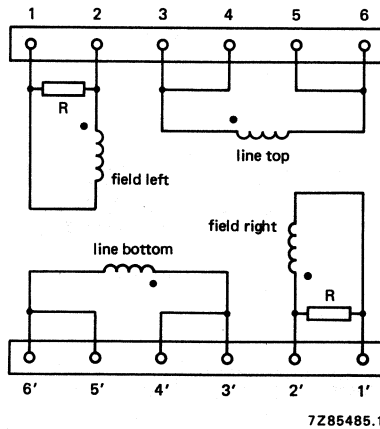


Fig. 2 Diagram of line and field coils; R = 270 Ω . The beginning of the windings is indicated with ●.

Interconnections

	terminals to be interconnected	output terminals*	
		live	neutral
Line deflection coils			
parallel connection	3, 4 to 5', 6' and 3', 4' to 5, 6	<u>3, 4</u> , 5', 6'	3', <u>4'</u> , 5, 6
series connection	3, 4 to 3', 4'	5', <u>6'</u>	<u>5</u> , 6
Field deflection coils			
parallel connection	1 to 2' and 1' to 2	<u>1'</u> , 2	1, <u>2'</u>
series connection	2 to 2'	<u>1'</u>	<u>1</u>

* Terminals which are most convenient to be used as output terminals are underlined.

DEVELOPMENT DATA

Geometric distortion, without raster correction and centring magnets.

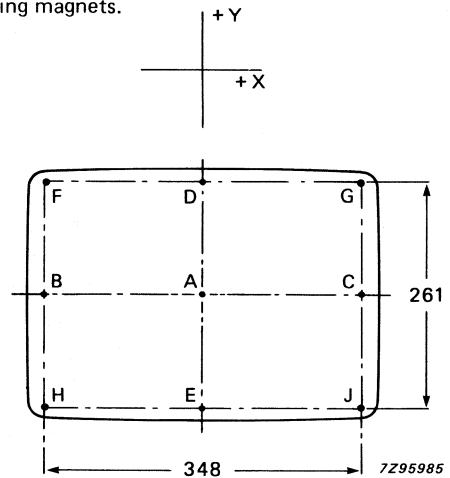


Fig. 3 Raster scan.

Obliquity

- $|F_y - G_y| \leq 3,5 \text{ mm}$
- $|G_x - J_x| \leq 3,5 \text{ mm}$
- $|J_y - H_y| \leq 3,5 \text{ mm}$
- $|H_x - F_x| \leq 3,5 \text{ mm}$
- $|D_x| \text{ and } |E_x| \leq 0,8 \text{ mm}$
- $|B_y| \text{ and } |C_y| \leq 0,5 \text{ mm}$

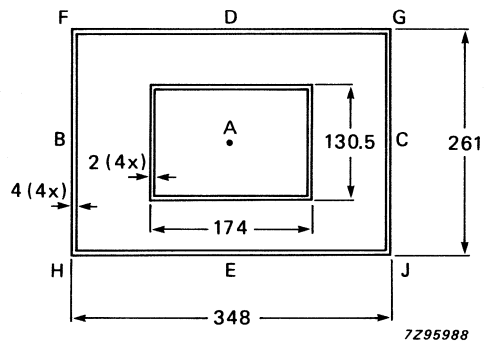


Fig. 4 Obliquity.

Note: The edges of the displayed raster should fall within the two rectangles.

Spot quality and measurement (refer to Fig. 3)

To be measured according to TVV55-84-0002.

Mean spot dimension is related to the spot at point A.

$$\text{Mean spot size} = \frac{l + s}{2} \quad \text{Where; } l = \text{longest spot axis}$$

$$s = \text{shortest spot axis}$$

Measuring conditions:

$$V_{ht} = 17,5 \text{ kV}$$

$$V_{g2} = 700 \text{ V}$$

$$I_a = 100 \mu\text{A}$$

The following values for spot growth are defined with DC-deflection and optimal focus voltage V_{g4} per measuring point:

spot size B and C = spot size A + 15% ± 20%

spot size D and E = spot size A + 15% ± 20%

spot size F,G,H and J = spot size A + 25% ± 20%

ENVIRONMENTAL DATA

Maximum operating temperature (average copper temperature)	95 °C
Maximum possible temperature rise (ΔT) as a result of coil losses at 50 kHz	35 °C
Storage temperature range	-25 to + 95 °C
Flame retarding	according to UL1413
Flammability	according to UL94, category V1

ENVIRONMENTAL TESTS

The deflection units withstand the following tests:

Vibration	IEC 68-2-6; test Fc, procedure B4; 10-55-10 Hz, amplitude 0,35 mm, 3 x 30 min.
Bump	IEC 68-2-29, test Eb; 250 m/s ² , 1000 bumps, 6 directions.
Shock	IEC 68-2-27, test Ea; 11 ms, half-sine pulse shape, 350 m/s ² , 3 x 6 directions.
Cold	IEC 68-2-1, test Ab; 96 h, -25 °C.
Dry heat	IEC 68-2-2, test Bb; 96 h, + 95 °C.
Cyclic damp heat	IEC 68-2-30, test Db; 21 cycles, + 40 °C.
Damp heat, steady state	IEC 68-2-3, test Ca, 21 days.
Change of temperature	IEC 68-2-14, test Nb; 5 cycles of 2 h at -25 °C and 2 h at + 95 °C, duration of one cycle 5 h.

BEAM CENTRING

The deflection units have two independently movable centring magnets of plastic-bonded Ferroxdure. These magnets are for placing the electron beam coaxially with the deflection coils. They are magnetized diametrically. By turning the magnets with respect to each other the resulting field strength is varied. The direction of the resulting magnetic field is adjusted by turning the magnets simultaneously. The required torque on the magnets is 35 to 250 mNm. See also Fig. 5.

The correct position of the magnets ensures freedom from curved lines in the centre of the raster and is beneficial with regard to raster geometry, deflection defocusing, corner cutting etc. For quality performance, picture shift should be obtained by applying d.c. current through the deflection coils.

This should be done after adjustment of raster linearity and after correct phasing of displayed information in respect of the raster.

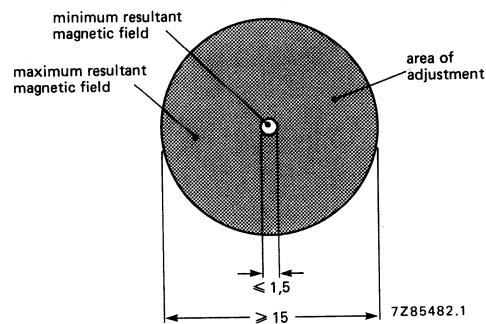


Fig. 5.

PACKING

The deflection units are packed on pallets of 10 or 15 boxes. Each box contains 24 deflection units.

NOTES

DATA HANDBOOK SYSTEM

DATA HANDBOOK SYSTEM

Our Data Handbook System comprises more than 60 books with specifications on electronic components, subassemblies and materials. It is made up of six series of handbooks:

INTEGRATED CIRCUITS

DISCRETE SEMICONDUCTORS

DISPLAY COMPONENTS

PASSIVE COMPONENTS*

PROFESSIONAL COMPONENTS**

MATERIALS*

The contents of each series are listed on pages iii to viii.

The data handbooks contain all pertinent data available at the time of publication, and each is revised and reissued periodically.

When ratings or specifications differ from those published in the preceding edition they are indicated with arrows in the page margin. Where application is given it is advisory and does not form part of the product specification.

Condensed data on the preferred products of Philips Components is given in our Preferred Type Range catalogue (issued annually).

Information on current Data Handbooks and how to obtain a subscription for future issues is available from any of the Organizations listed on the back cover.

Product specialists are at your service and enquiries will be answered promptly.

* Will replace the Components and materials (green) series of handbooks.

** Will replace the Electron tubes (blue) series of handbooks.

INTEGRATED CIRCUITS

This series of handbooks comprises:

code	handbook title
IC01	Radio, audio and associated systems Bipolar, MOS
IC02a/b	Video and associated systems Bipolar, MOS
IC03	ICs for Telecom Bipolar, MOS Subscriber sets, Cordless Telephones
IC04	HE4000B logic family CMOS
IC05	Advanced Low-power Schottky (ALS) Logic Series
IC06	High-speed CMOS; PC74HC/HCT/HCU Logic family
IC07	Advanced CMOS logic (ACL)
IC08	ECL 10K and 100K logic families
IC09N	TTL logic series
IC10	Memories MOS, TTL, ECL
IC11	Linear Products
Supplement to IC11	Linear Products
IC12	I²C-bus compatible ICs
IC13	Semi-custom Programmable Logic Devices (PLD)
IC14	Microcontrollers NMOS, CMOS
IC15	FAST TTL logic series
Supplement to IC15	FAST TTL logic series
IC16	CMOS integrated circuits for clocks and watches
IC17	ICs for Telecom Bipolar, MOS Radio pagers Mobile telephones ISDN
IC18	Microprocessors and peripherals
IC19	Data communication products

DISCRETE SEMICONDUCTORS

This series of data handbooks comprises:

current code	new code	handbook title
S1	SC01	Diodes High-voltage tripler units
S2a	SC02*	Power diodes
S2b	SC03*	Thyristors and triacs
S3	SC04*	Small-signal transistors
S4a	SC05	Low-frequency power transistors and hybrid IC power modules
S4b	SC06	High-voltage and switching power transistors
S5	SC07*	Small-signal field-effect transistors
S6	SC08*	RF power transistors
	SC09	RF power modules
S7	SC10	Surface mounted semiconductors
S8a	SC11*	Light emitting diodes
S8b	SC12	Optocouplers
S9	SC13*	PowerMOS transistors
S10	SC14*	Wideband transistors and wideband hybrid IC modules
S11	SC15	Microwave transistors
S15**	SC16	Laser diodes
S13	SC17	Semiconductor sensors
S14	SC18*	Liquid crystal displays and driver ICs for LCDs

* Not yet issued with the new code in this series of handbooks.

** New handbook in this series; will be issued shortly.

DISPLAY COMPONENTS

This series of data handbooks comprises:

current code	new code	handbook title
T8	DC01	Colour display systems
T16	DC02	Monochrome monitor tubes and deflection units
C2	DC03*	Television tuners, coaxial aerial input assemblies
C3	DC04*	Loudspeakers
C20	DC05*	Wire-wound components for TVs and monitors

* These handbooks are currently issued in another series; they are not yet issued in the Display Components series of handbooks.

PASSIVE COMPONENTS

This series of data handbooks comprises:

current code	new code	handbook title
C14	PA01	Electrolytic capacitors; solid and non-solid
C11	PA02*	Varistors, thermistors and sensors
C12	PA03*	Potentiometers, encoders and switches
C7	PA04*	Variable capacitors
C22	PA05*	Film capacitors
C15	PA06*	Ceramic capacitors
C9	PA07*	Piezoelectric quartz devices
C13	PA08*	Fixed resistors

* Not yet issued with the new code in this series of handbooks.

PROFESSIONAL COMPONENTS

This series of data handbooks comprises:

current code	new code	handbook title
T1	*	Power tubes for RF heating and communications
T2a	*	Transmitting tubes for communications, glass types
T2b	*	Transmitting tubes for communications, ceramic types
T3	PC01**	High-power klystrons
T4	*	Magnetrons for microwave heating
T5	PC02**	Cathode-ray tubes
T6	PC03**	Geiger-Müller tubes
T9	PC04**	Photo and electron multipliers
T10	PC05**	Plumbicon camera tubes and accessories
T11	PC06	Microwave diodes and sub-assemblies
T12	PC07	Vidicon and Newvicon camera tubes and deflection units
T13	PC08	Image intensifiers
T15	PC09**	Dry reed switches
C8	PC10	Variable mains transformers; annular fixed transformers
	PC11	Solid state image sensors and peripheral integrated circuits

* These handbooks will not be reissued.

** Not yet issued with the new code in this series of handbooks.

MATERIALS

This series of data handbooks comprises:

current code	new code	handbook title
C4 } C5 }	MA01*	Soft Ferrites
C16	MA02**	Permanent magnet materials
C19	MA03**	Piezoelectric ceramics

* Handbooks C4 and C5 will be reissued as one handbook having the new code MA01.

** Not yet issued with the new code in this series of handbooks.

Philips Components – a worldwide Group of Companies

- Argentina:** PHILIPS ARGENTINA S.A., Div. Philips Components, Vedia 3892, 1430 BUENOS AIRES, Tel. (01) 541-4261.
- Australia:** PHILIPS COMPONENTS PTY Ltd, 11 Waltham Street, ARTARMON, N.S.W. 2064, Tel. (02) 439 3322.
- Austria:** ÖSTERREICHISCHE PHILIPS INDUSTRIE G.m.b.H., UB Bauelemente, Triester Str. 64, 1101 WIEN, Tel. (0222) 60 101-820.
- Belgium:** N.V. PHILIPS PROF. SYSTEMS – Components Div., 80 Rue Des Deux Gares, B-1070 BRUXELLES, Tel. (02) 5256 111.
- Brazil:** PHILIPS COMPONENTS (Active Devices): Av. Brigadeiro Faria Lima, 1735-SAO PAULO-SP, Tel. (011) 211-2600. PHILIPS COMPONENTS (Passive Devices & Materials): Av. Francisco Monteiro, 702-RIBEIRO PIRES-SP, Tel. (011) 459-8211.
- Canada:** PHILIPS ELECTRONICS LTD., Philips Components, 601 Milner Ave., SCARBOROUGH, Ontario, M1B 1M8, Tel. (416) 292-5161.
- Chile:** PHILIPS CHILENA S.A., Av. Santa Maria 0760, SANTIAGO, Tel. (02) 77 38 16.
- Colombia:** IPRELENZO LTDA., Carrera 21 No. 56-17, BOGOTA, D.E., P.O. Box 77621, Tel. (01) 249 76 24.
- Denmark:** PHILIPS COMPONENTS A/S, Prags Boulevard 80, PB1919, DK-2300 COPENHAGEN S, Tel. 01-54 11 33.
- Finland:** PHILIPS COMPONENTS, Sinkalliontie 3, SF-2630 ESPOO HELSINKI 10, Tel. 358-0-50 261.
- France:** PHILIPS COMPOSANTS RTC-COMPELEC, 117 Quai du Président Roosevelt, 92134 ISSY-LES-MOULINEAUX Cedex, Tel. (01) 4093 80 00.
- Germany (Fed. Republic):** VALVO, UB Bauelemente der Philips G.m.b.H., Valvo Haus, Burchardstrasse 19, D-2 HAMBURG 1, Tel. (040) 3296-0.
- Greece:** PHILIPS HELLENIQUE S.A., Components Division, No. 15, 25th March Street, GR 17778 TAVROS, Tel. (01) 4894 339/4894 911.
- Hong Kong:** PHILIPS HONG KONG LTD., Components Div., 15/F Philips Ind. Bldg., 24-28 Kung Yip St., KWAI CHUNG, Tel. (0)-24 51 21.
- India:** PEICO ELECTRONICS & ELECTRICALS LTD., Components Dept., Band Box Building, 254-D Dr. Annie Besant Rd., BOMBAY – 400 025, Tel. (022) 49 30 311/49 30 590.
- Indonesia:** P.T. PHILIPS-RALIN ELECTRONICS, Components Div., Setiabudi II Building, 6th Fl., Jalan H.R. Rasuna Said (P.O. Box 223/KBY) Kuningan, JAKARTA 12910, Tel. (021) 51 79 95.
- Ireland:** PHILIPS ELECTRONICS (IRELAND) LTD., Components Division, Newstead, Clonskeagh, DUBLIN 14, Tel. (01) 69 33 55.
- Italy:** PHILIPS S.p.A., Philips Components, Piazza IV Novembre 3, I-20124 MILANO, Tel. (02) 6752.1.
- Japan:** PHILIPS K.K. Philips Components Division, Philips Bldg 13-37, Kohnan 2-chome, Minato-ku, TOKYO 108), Tel. (03) 740 5028.
- Korea (Republic of):** PHILIPS ELECTRONICS (KOREA) LTD., Components Division, Philips House, 260-199 Itaewon-dong, Yongsan-ku, SEOUL, Tel. (02) 794-5011.
- Malaysia:** PHILIPS MALAYSIA SDN BHD, Components Div., 3 Jalan SS15/2A SUBANG, 47500 PETALING JAYA, Tel. (03) 73 45 511.
- Mexico:** PHILIPS COMPONENTS, Paseo Triunfo de la Republica, No 215 Local 5, Cd Juarez CHIHAUHAU 32340 MEXICO Tel. (16) 18-67-01/02
- Netherlands:** PHILIPS NEDERLAND, Marktgroep Philips Components, Postbus 90050, 5600 PB EINDHOVEN, Tel. (040) 78 37 49.
- New Zealand:** PHILIPS NEW ZEALAND LTD., Components Division, 110 Mt. Eden Road, C.P.O. Box 1041, AUCKLAND, Tel. (09) 605-914.
- Norway:** NORSK A/S PHILIPS, Philips Components, Box 1, Manglerud 0612, OSLO, Tel. (02) 68 02 00.
- Pakistan:** PHILIPS ELECTRICAL CO. OF PAKISTAN LTD., Philips Markaz, M.A. Jinnah Rd., KARACHI-3, Tel. (021) 72 57 72.
- Peru:** CADESA, Av. Pardo y Aliaga No. 695, 6th Floor, San Isidro, LIMA 100, P.O. Box 5612, Tel. (014) 70 70 80.
- Philippines:** PHILIPS INDUSTRIAL DEV. INC., 2246 Pasang Tamo, P.O. Box 911, Makati Comm. Centre, MAKATI-RIZAL 3116, Tel. (02) 8689 51 to 59.
- Portugal:** PHILIPS PORTUGUESA S.A.R.L., Av. Eng. Duarte Pacheco 6, 1009 LISBOA Codex, Tel. (019) 68 31 21.
- Singapore:** PHILIPS PROJECT DEV. (Singapore) PTE LTD., Components Div., Lorong 1, Toa Payoh, SINGAPORE 1231, Tel. 35 02 000.
- Spain:** PHILIPS Components, Balmes 22, 08007 BARCELONA, Tel. (03) 301 63 12.
- Sweden:** PHILIPS Components, A.B., Tegeluddsvägen 1, S-11584 STOCKHOLM, Tel. (08)-78 21 000.
- Switzerland:** PHILIPS A.G., Components Dept., Allmendstrasse 140-142, CH-8027 ZÜRICH, Tel. (01) 488 22 11.
- Taiwan:** PHILIPS TAIWAN LTD., 150 Tun Hua North Road, P.O. Box 22978, TAIPEI, Taiwan, Tel. (02) 71 20 500.
- Thailand:** PHILIPS ELECTRICAL CO. OF THAILAND LTD., 283 Silom Road, P.O. Box 961, BANGKOK, Tel. (02) 233-6330-9.
- Turkey:** TÜRK PHILIPS TICARET A.S., Philips Components, Talatpasa Cad. No. 5, 80640 LEVENT/ISTANBUL, Tel. (01) 179 27 70.
- United Kingdom:** PHILIPS COMPONENTS LTD., Mullard House, Torrington Place, LONDON WC1E 7HD, Tel. (01) 580 6633.
- United States:** (Active Devices & Materials) AMPEREX Electronic Corporation, Providence Pike, SLATERSVILLE, R.I. 02876, Tel. (401) 762-9000. (Colour picture tubes – Monochrome & Colour Display Tubes) PHILIPS DISPLAY COMPONENTS, 50 Johnston St., SENECA FALLS, N.Y. 13148, Tel. (315) 568-5881. (IC Products) SIGNETICS CORPORATION, 811 East Arques Avenue, SUNNYVALE, CA 94088-3409, Tel. (408) 991-2000. (Passive & Electromech. Dev.) MEPCO/CENTRALAB, INC., 2001 West Blue Heron Blvd, RIVIERA BEACH, Florida 33404, P.O. Box 10330, Tel. (407) 881-3200.
- Uruguay:** PHILIPS COMPONENTS, Coronel Mora 433, MONTEVIDEO, Tel. (02) 70-40 44.
- Venezuela:** MAGNETICA S.A., Calle 6, Ed. Las Tres Jotas, CARACAS 1074A, App. Post. 78117, Tel. (02) 241 75 09.
- Zimbabwe:** PHILIPS ELECTRICAL (PVT) LTD., 62 Mutare Road, HARARE, P.O. Box 994, Tel. 47 21 11

For all other countries apply to: Philips Components Division, International Business Relations, P.O. Box 218, 5600 MD EINDHOVEN, The Netherlands, Telex 35000 phcnl

AS69

© Philips Export B.V. 1989

All rights are reserved. Reproduction in whole or in part is prohibited without the prior written consent of the copyright owner.

The information presented in this document does not form part of any quotation or contract, is believed to be accurate and reliable and may be changed without notice. No liability will be accepted by the publisher for any consequence of its use. Publication thereof does not convey nor imply any license under patent- or other industrial or intellectual property rights

Printed in The Netherlands

9398 162 40011

Philips Components



PHILIPS