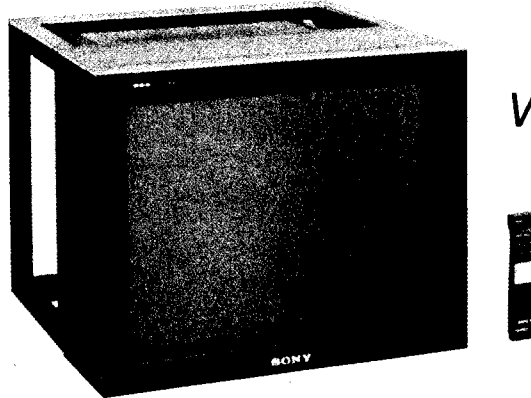


# PVM-2730QM

## RM-668

## SERVICE MANUAL



*AEP Model*

Chassis No. SCC-A91A-A

*Australian Model*

Chassis No. SCC-B04A-A

*West Germany Model*

Chassis No. SCC-B05A-A

### SPECIFICATIONS

**Note:** The service manuals for RM668 have been issued separately.

Color system	PAL, SECAM, NTSC and NTSC <sub>4,43</sub> systems, switched automatically
Picture tube	Trinitron tube Approx. 67.7 cm (27 inches) (63.5 cm picture measured diagonally) 114-degree deflection, AG pitch 0.73 mm
Resolution	Video input: 420 TV lines RGB inputs: 640 × 200 dots (2000 characters)
Color temperature	9300°K
Frequency response	10 MHz (−3 dB, RGB) 5 MHz (−3 dB, composite video)
Horizontal linearity	Less than ±5%
Vertical linearity	Less than ±5%
Line pull range	Horizontal: +500 Hz Vertical: −8 Hz
Overscan of the picture	Less than +7%
Convergence	Central area: within 1.0 mm Periphery: within 1.8 mm
LINE A/B, VTR inputs	
VIDEO IN:	LINE A/B: BNC connector Composite video, 1 Vp-p ±6 dB, sync negative, 75-ohm termination switchable VTR: 8-pin connector Composite video, 1 Vp-p ±6 dB, sync negative, 75-ohm terminated
AUDIO IN:	LINE A/B: Phono jack −5 dBs, more than 47 kilohms VTR: 8-pin connector, −5 dBs, more than 47 kilohms

LINE A/B outputs (loop-through outputs)	VIDEO: BNC connector AUDIO: Phono jack
Monitor outputs	VIDEO: BNC connector Composite video, 1 Vp-p AUDIO: Phono jack Less than 1 kilohm
Digital RGB inputs	RGB: D-sub 9-pin connector (See "Signal assignment".) AUDIO: Phono jack −5 dBs, more than 47 kilohms
AV connector	21-pin connector (See "Signal assignment".)
Speaker terminals	8 ohms
Control S input/output	Minijack, 5 Vp-p
Power output	15 W + 15 W at 8 ohms
Power requirements	220 - 240 V AC, 50/60 Hz
Power consumption	175 W
Dimensions	Approx. 653 × 508 × 492 mm (w/h/d) incl. projecting parts and controls
Weight	Approx. 52 kg

#### Supplied accessory

Remote commander RM-668, with 2 R6 batteries..... 1

#### Optional accessories

TV stand SU-539, SU-541  
Speaker system SS-X6A, APM-X5A

— Continued on next page —



# TRINITRON COLOR VIDEO MONITOR

# SONY®

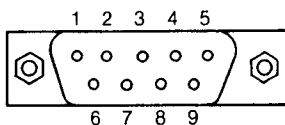
**MON**

# PVM-2730QM

RM-668

## SIGNAL ASSIGNMENT

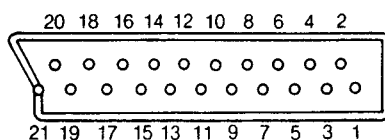
### DIGITAL RGB connector (D-sub 9-pin)



Digital signal (TTL level)

Pin No.	Signal assignment
1	Ground
2	Ground
3	Red input
4	Green input
5	Blue input
6	Intensity input
7	No connection
8	H. sync input (positive/negative)
9	V. sync input (positive/negative)

### AV connector (21-pin)



Pin No.	Signal	Signal level
1	Audio output B (right)	Standard level: 0.5 Vrms Output impedance: Less than 1 k ohm*
2	Audio input B (right)	Standard level: 0.5 Vrms Input impedance: More than 10 k ohms*
3	Audio output A (left)	Standard level: 0.5 Vrms Output impedance: Less than 1 k ohm*
4	Ground (audio)	
5	Ground (blue)	
6	Audio input A (left)	Standard level: 0.5 Vrms Input impedance: More than 10 k ohms*
7	Blue input	0.7 V $\pm$ 3 dB, 75 ohms, positive
8	Function select (AV control)	High state (9.5 - 12 V): Peri mode Low state (0 - 2 V): TV mode Input impedance: More than 10 k ohms Input capacitance: Less than 2 nF

Pin No.	Signal	Signal level
9	Ground (green)	
10	Open	
11	Green input	(Same as Pin 7)
12	Open	
13	Ground (red)	
14	Ground (blanking)	
15	Red input	(Same as Pin 7)
16	Blanking input	High state (1 - 3 V) Low state (0 - 0.4 V) Input impedance: 75 ohms
17	Ground (video output)	
18	Ground (video input)	
19	Video output	1 V $\pm$ 3 dB, 75 ohms, positive Sync: 0.3 V ( $\pm$ 3 dB)
20	Video input	1 V $\pm$ 3 dB, 75 ohms, positive Sync: 0.3 V ( $\pm$ 3 dB)
21	Common ground (plug, shield)	

\* at 20 Hz - 20 kHz

Design and specifications subject to change without notice.

## TROUBLESHOOTING

If these symptoms occur when you begin operation, follow the suggestions below.

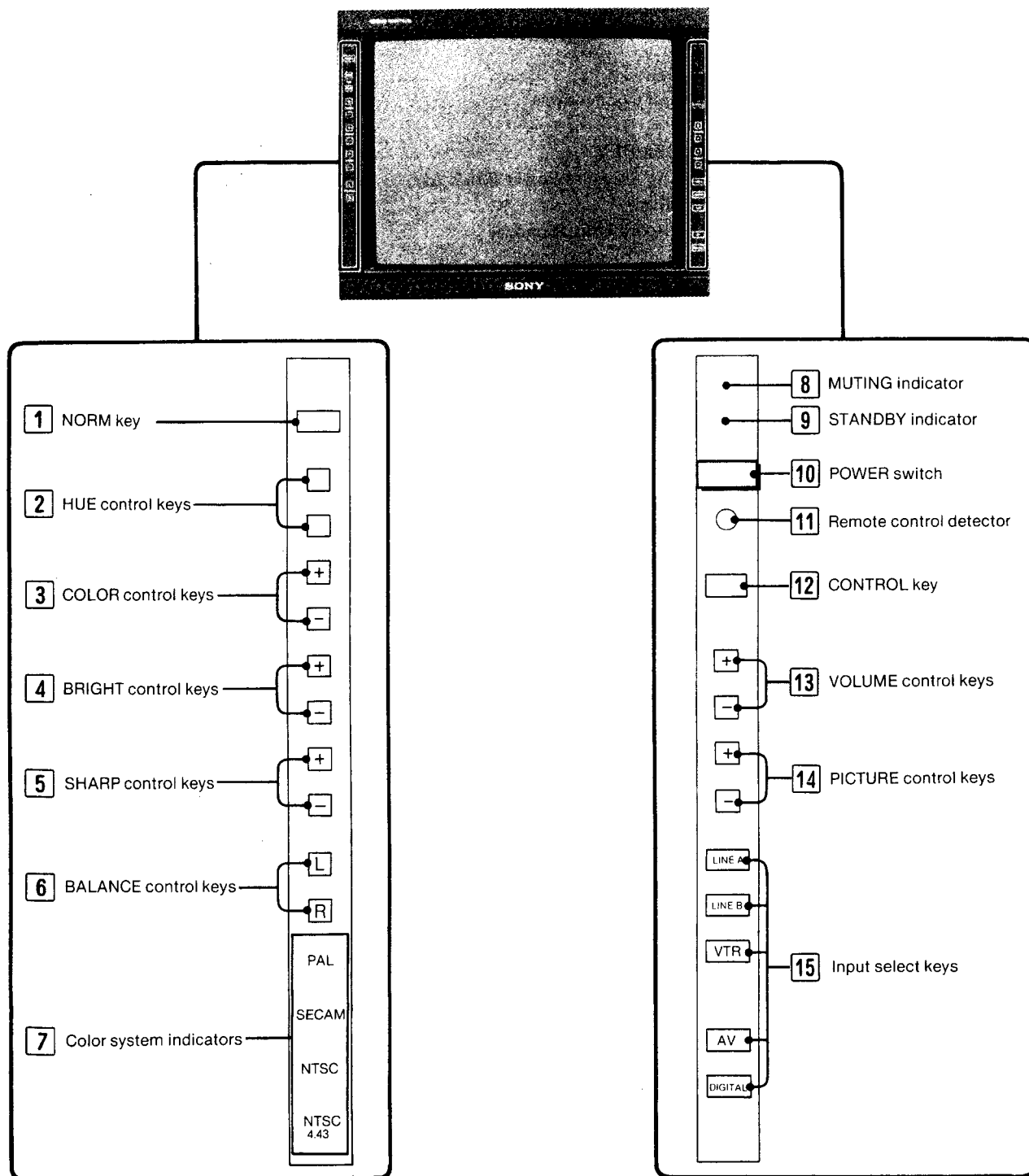
SYMPTOMS	CORRECTIONS
No controllable keys although the POWER switch is turned on.	• Press the CONTROL key.
No indication appears although the CONTROL key is pressed.	• Set the MANUAL CONTROL switch on the rear panel to ON.
Remote control is not possible.	• Set the REMOTE CONTROL switch on the rear panel to ON.

**PVM-2730QM**  
RM-668

## SECTION 1 GENERAL

### 1-1. LOCATION AND FUNCTION OF PARTS AND CONTROL

#### FRONT PANEL




- Press CONTROL key after power is turned on to illuminate the control keys or indicators.

The following control keys are effective only when MANUAL CONTROL switch on the rear panel is set to ON.

## TABLE OF CONTENTS

<i>Section</i>	<i>Title</i>	<i>Page</i>
<b>1. GENERAL</b>		
1-1.	Location and Function of Parts and Control . . . . .	4
1-2.	Operation . . . . .	8
1-3.	System Connections . . . . .	9
<b>2. DISASSEMBLY</b>		
2-1.	Chassis Assy and Power Block Assy Removal . . . . .	13
2-2.	Key Board Unit Removal . . . . .	13
2-3.	Picture Tube Removal . . . . .	14
<b>3. SETUP ADJUSTMENTS</b>		
3-1.	Beam Landing . . . . .	15
<b>4. CIRCUIT ADJUSTMENTS</b>		
4-1.	FA, FC Boards Adjustment . . . . .	19
4-2.	D and D3 Boards Adjustment . . . . .	19
4-3.	HC Board Adjustment . . . . .	20
4-4.	B Board Adjustment . . . . .	20
4-5.	Safety Check Adjustment . . . . .	21
<b>5. DIAGRAM</b>		
5-1.	Circuit Boards Location . . . . .	22
5-2.	Block Diagram . . . . .	24
5-3.	Frame Schematic Diagram . . . . .	29
5-4.	Schematic Diagram and Printed Wiring Boards . . . . .	34
5-5.	Semiconductors . . . . .	62
<b>6. EXPLODED VIEWS</b>		
6-1.	Picture Tube . . . . .	65
6-2.	Chassis . . . . .	66
6-3.	Back Cover . . . . .	67
6-4.	Key Board Unit . . . . .	68
<b>7. ELECTRICAL PARTS LIST . . . . .</b>		
		<b>69</b>

### SAFETY-RELATED COMPONENT WARNING !!

COMPONENTS IDENTIFIED BY SHADING AND MARK  ON THE SCHEMATIC DIAGRAMS, EXPLODED VIEWS AND IN THE PARTS LIST ARE CRITICAL TO SAFE OPERATION. REPLACE THESE COMPONENTS WITH SONY PARTS WHOSE PART NUMBERS APPEAR AS SHOWN IN THIS MANUAL OR IN SUPPLEMENTS PUBLISHED BY SONY. CIRCUIT ADJUSTMENTS THAT ARE CRITICAL TO SAFE OPERATION ARE IDENTIFIED IN THIS MANUAL. FOLLOW THESE PROCEDURES WHENEVER CRITICAL COMPONENTS ARE REPLACED OR IMPROPER OPERATION IS SUSPECTED.



**1 NORM (normal) key**

Press this key to return to the standard setting.

- This key is effective only for the control keys on the left.

**2 HUE control keys**

Press the GRN (green) key to make the skin tones greenish or the PUR (purple) key to make it purplish.

- These control keys are effective for the NTSC and NTSC<sub>4,43</sub> color systems only.

**3 COLOR control keys**

Press the + key to make the color intensity vivid or the – key to make it pale.

**4 BRIGHT (brightness) control keys**

Press the + key to make the picture brighter or the – key to make it darker.

**5 SHARP (sharpness) control keys**

Press the + key to obtain a sharp picture or the – key to obtain a soft picture.

**6 BALANCE control keys**

Press the L key to increase the sound volume of the left speaker or the R key to increase the sound volume of the right speaker.

**7 Color system indicators****PAL, SECAM, NTSC, NTSC<sub>4,43</sub>**

The color system of the input signal is automatically selected and the corresponding indicator illuminates. When the input signal is monochrome, no color system indicator illuminates.

**8 MUTING indicator**

Illuminates while the sound is muted.

- Muting is controlled only by the Remote Commander.

**9 STANDBY indicator**

Illuminates when the power is turned off by the Remote Commander.

**10 POWER switch**

Press this switch to turn the monitor on.

Press this switch again to turn it off.

- When the monitor is turned on, the settings of the monitor are the same as when it was last turned off.
- For a few seconds after turning on the monitor the color of picture may vary because the white balance is adjusted at this time. This is not a problem.

**11 Remote control detector**

The beam from the Remote Commander is received here.

**12 CONTROL key**

Press this key to illuminate the keys and indicators on the front panel.

Press this key again to extinguish them.

**13 VOLUME control keys**

Press the + key to raise the volume or the – key to lower it.

**14 PICTURE control keys**

Press the + key to make the contrast, color intensity and brightness stronger or the – key to make them weaker.

**15 Input select keys****LINE A, LINE B, VTR, AV, DIGITAL**

Select the input source connected to the LINE A, LINE B, VTR, AV or DIGITAL RGB connector.

When a key is pressed:

- it blinks if the other indicators and keys on the front panel illuminate.
- it illuminates if they are extinguished.

**Key illumination**

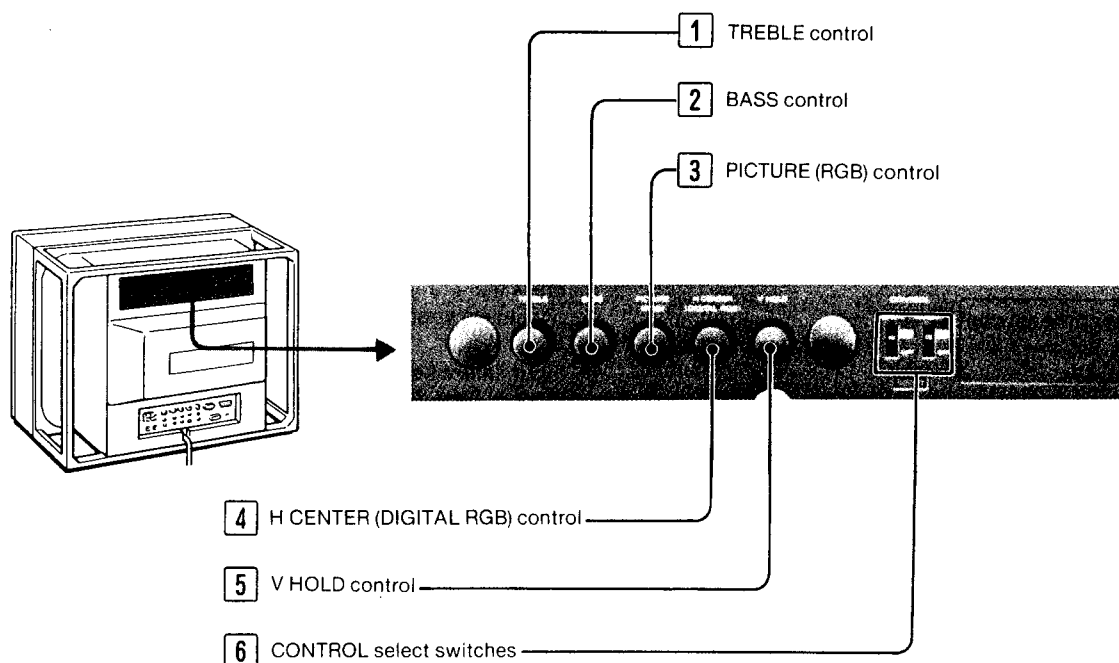
For the keys **1** through **7**, **13** and **14**:

- While each key is pressed, it blinks, indicating that adjustment is going on.
- During adjustment, if the adjustment value reaches the limit, the blinking speed becomes slower.

# PVM-2730QM

RM-668

## REAR PANEL



### 1 TREBLE control

Turn clockwise for more treble (high tone), or counterclockwise for less.

### 2 BASS control

Turn clockwise for more bass (low tone), or counterclockwise for less.

### 3 PICTURE (RGB) control

Adjust the contrast of the RGB signals connected to the AV connector or the DIGITAL RGB connector.

### 4 H CENTER (DIGITAL RGB) (horizontal centering) control

When the picture of DIGITAL RGB input is decentered horizontally, correct it with this control.

### 5 V HOLD (vertical hold) control

When the picture rolls vertically, correct it with this control.

### 6 CONTROL select switches

Normally set to ON.

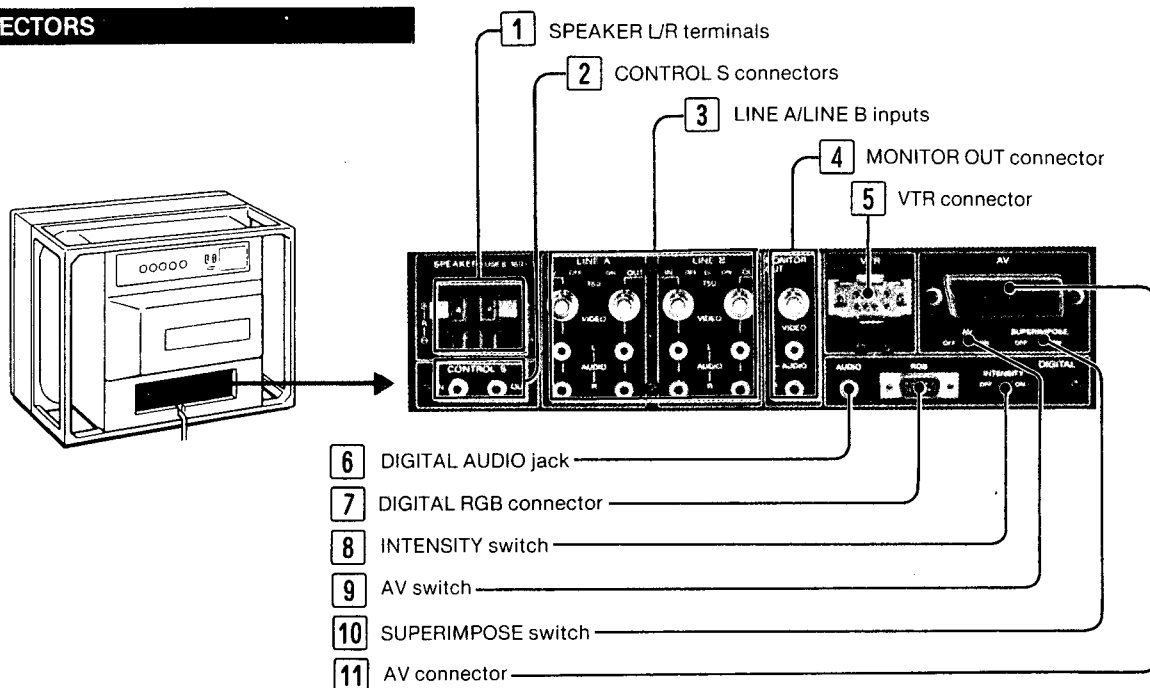
#### REMOTE CONTROL switch

Set this switch to ON to control the monitor with a Remote Commander. If this switch is set to OFF, the remote control is not possible.

#### MANUAL CONTROL switch

Set this switch to ON to control the monitor manually. To make the manual control of the control keys or switches on the front panel impossible, extinguish the indicators by pressing the CONTROL key on the front panel and set this switch to OFF. (However remote control is possible if the REMOTE CONTROL switch is set to ON.)

## CONNECTORS

**1 SPEAKER L/R terminals**

Connect to speakers with 8 to 16 ohm impedance.

**2 CONTROL S IN/OUT connectors**

Connect to the CONTROL S connectors of a VTR or another monitor.  
It is then possible to control the whole system with a single Remote Commander.

**3 LINE A/LINE B inputs****VIDEO IN connector (BNC type)****AUDIO L/R IN jacks (phono jack)**

Connect to the video and audio outputs of a VTR or a camera.

**VIDEO OUT connector (BNC type)****AUDIO L/R OUT jacks (phono jack)**

Loop-through outputs of the IN connector and jacks.  
Connect to the video and audio inputs of another monitor.

**75-ohm termination switch**

When only the VIDEO IN connector is used (nothing is connected to the VIDEO OUT connector), set this switch to ON.

When both connectors are used together for a loop-through connection, set this switch to OFF.

**4 MONITOR OUT connectors****VIDEO connector (BNC type)****AUDIO L/R jacks (phono jacks)**

The video and audio signals supplied from the LINE A, LINE B, VTR or AV input selected by the front panel input select keys are output from these connectors.  
Connect to the video and audio inputs of another monitor, VTR, etc.

**5 VTR connector (8-pin)**

Connect to a VTR with an 8-pin TV connector.

**6 DIGITAL AUDIO jack (phono jack)**

Connect to the audio output of an audio source to listen to the sound from the connected audio source while viewing the picture from the DIGITAL RGB connector.

**7 DIGITAL RGB connector (9-pin, D-sub)**

Connect to the digital RGB output of a microcomputer.

**8 INTENSITY switch**

Normally set to OFF. When a microcomputer provided with intensity output is connected, set to ON for 16-color display.

**9 AV switch**

Set to ON so that the monitor is automatically switched to the AV input when a signal is input from the AV connector, taking priority over the LINE A, LINE B or VTR input previously selected by the input select keys on the front panel. Set to OFF to select the AV input manually by pressing the AV input select key.

**10 SUPERIMPOSE switch**

Normally set to ON.  
Set to OFF to display the analog RGB signal from the microcomputer connected to the AV connector.

**11 AV connector (21-pin)**

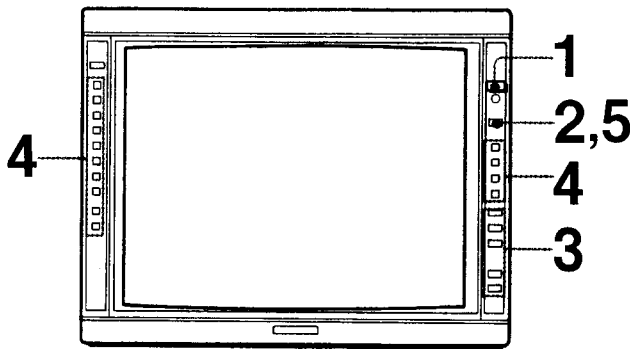
Connect to the 21-pin multiconnector of an 8 mm video cassette recorder or the analog RGB multioutput connector of a microcomputer.

# PVM-2730QM

RM-668

## 1-2. OPERATION

### DISPLAYING THE PICTURE



- 1** Depress the POWER switch.  
One of the input select keys illuminates.
- 2** Press the CONTROL key.  
The selected input select key blinks and all control keys on the front illuminate.  
(If the control keys do not appear, set the MANUAL CONTROL switch on the rear to ON.)
- 3** Press the desired input select key.  
The pressed key blinks and the picture from the selected input is displayed on the screen and the sound is heard through the speakers.  
(For selecting the AV or DIGITAL input, see "Notes on input selection".)
- 4** Adjust the picture and sound.
- 5** Press the CONTROL key to extinguish the controls keys so that only the selected input select key illuminates.

### SUPERIMPOSING

To superimpose the data from the microcomputer connected to the AV connector over the picture, proceed as follows. (The data should be processed for superimposition on the microcomputer.)

- 1** Set the SUPERIMPOSE switch to ON.
- 2** Press the LINE A, LINE B or VTR input select key to display the picture on which the data is to be superimposed on the monitor screen.
- 3** Press the AV input select key.  
The data is superimposed over the picture.
- 4** Adjust the contrast of the superimposed data with the PICTURE (RGB) control.

### NOTES ON INPUT SELECTION

#### AV input and SUPERIMPOSE switch

Set the SUPERIMPOSE switch on the rear as follows, according to the signal supplied to the AV connector.

SUPERIMPOSE switch	Signal to be displayed
ON	<ul style="list-style-type: none"> <li>• To display the composite video signal from an 8 mm video cassette recorder, etc.</li> <li>• To perform superimposition. (See "SUPERIMPOSING".)</li> </ul>
OFF	<ul style="list-style-type: none"> <li>• To display the analog RGB signal from a microcomputer, etc. In this case, the sync signal should be supplied to pin 20 of the AV connector.</li> </ul>

- When the AV input select key is pressed with the SUPERIMPOSE switch ON, the previously selected LINE A, LINE B or VTR input select key blinks together with the AV key.
- When it is pressed with the SUPERIMPOSE switch OFF, only the AV key blinks.

#### AV input and AV switch

When the AV switch on the rear is set to ON, the monitor is automatically switched from the LINE A, LINE B or VTR input to the AV input if a signal is input to the AV connector. Set the AV switch to OFF to select the AV input manually by pressing the AV input select key.

#### DIGITAL input

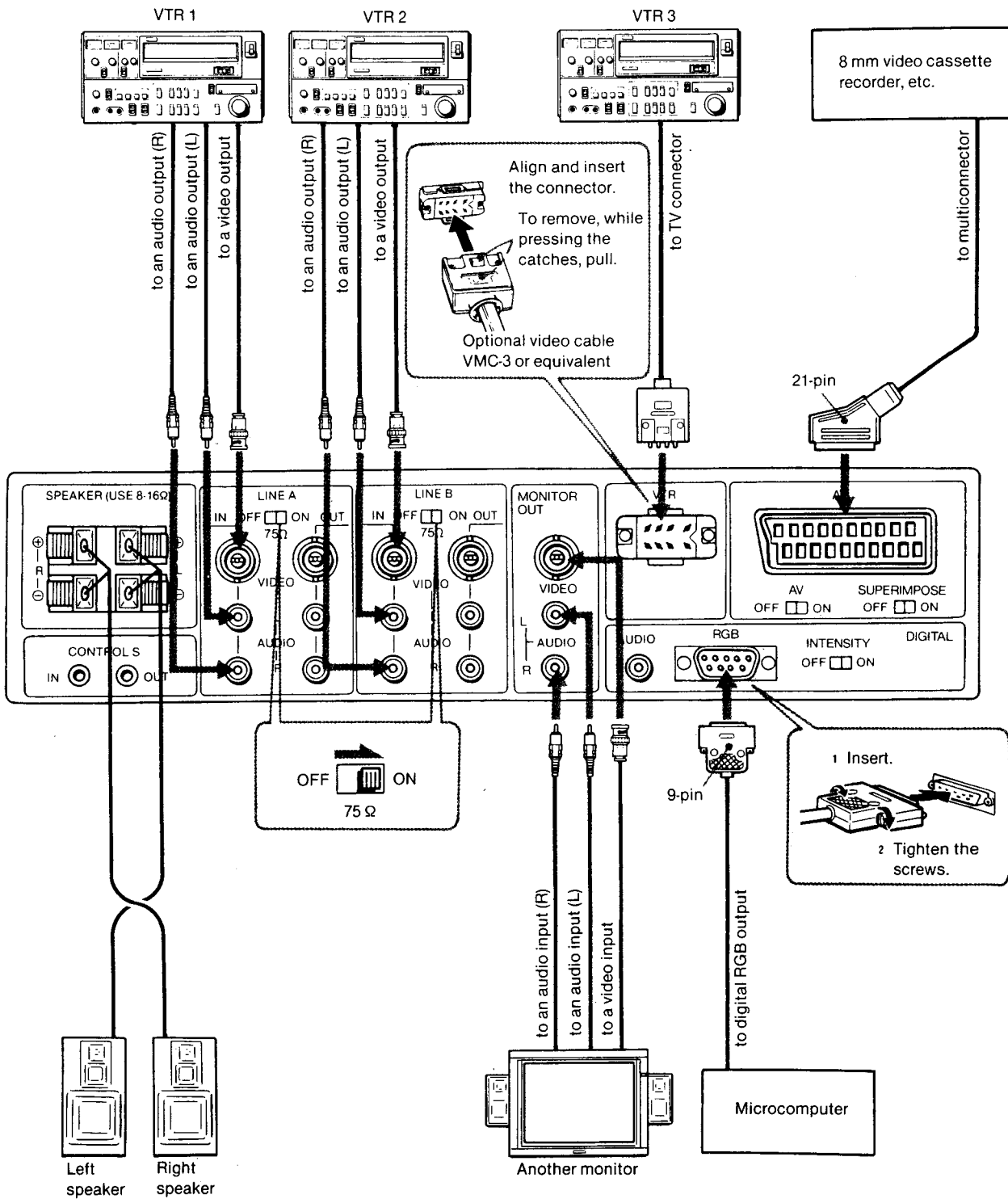
- To display the digital RGB signal from a microcomputer provided with intensity output in 16 colors, set the INTENSITY switch on the rear to ON.
- If necessary, center the picture from the DIGITAL RGB connector with the H CENTER control on the rear panel.

#### Note

The COLOR, HUE and SHARP control keys do not function when the DIGITAL input is selected or the AV input is selected with the SUPERIMPOSE switch OFF.

**1-3. SYSTEM CONNECTIONS**

**CONNECTION DIAGRAM**



**Note**

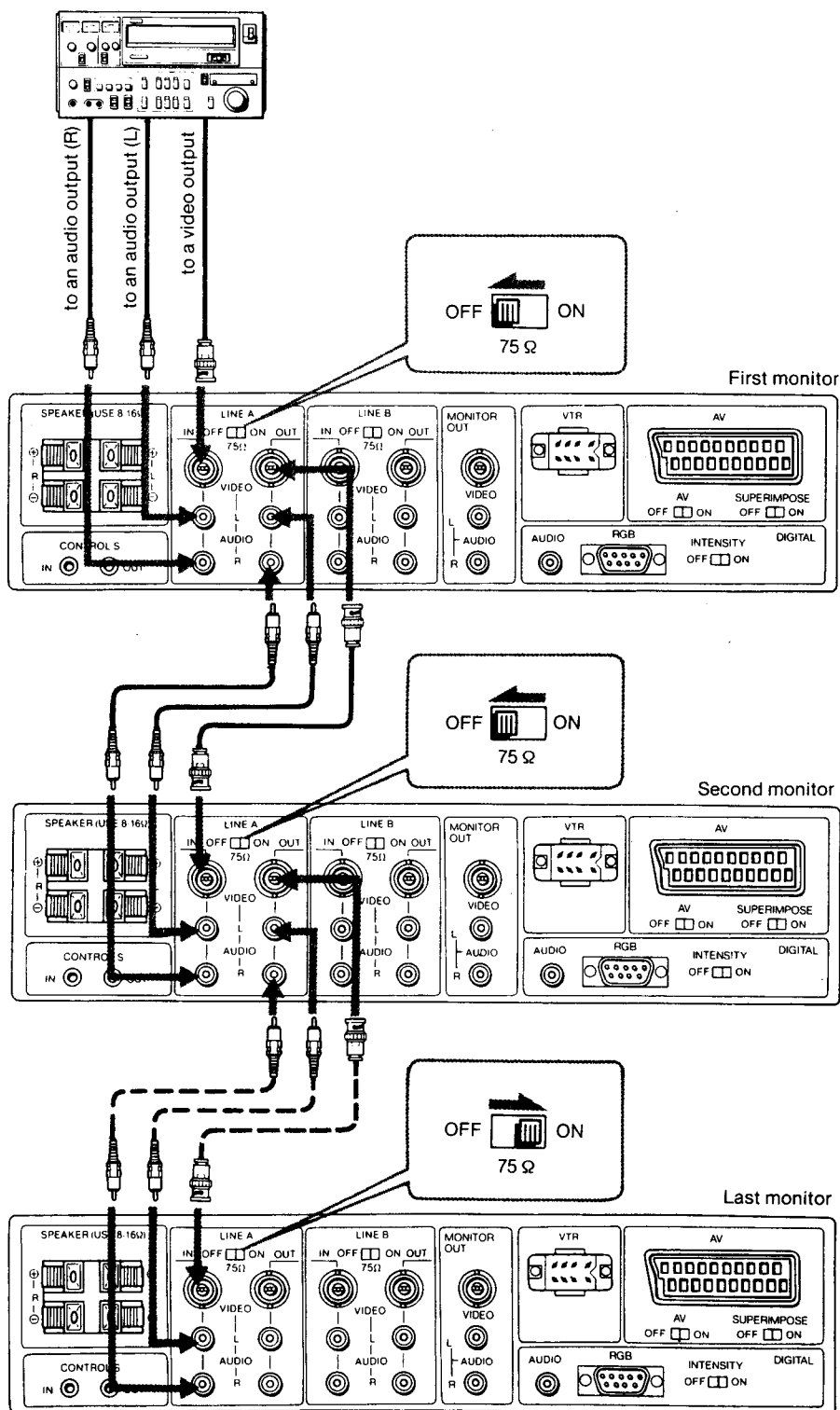
• When a microcomputer has an analog RGB output connector, connect it to the AV connector.

• When a microcomputer has only a composite video output connector, connect it to the LINE A or LINE B VIDEO IN connector.

**PVM-2730QM**  
RM-668

**CONNECTING SEVERAL MONITORS**

A loop-through connection is convenient for monitoring the same signal on the monitors. Up to 10 monitors can be connected. It is recommended to use a signal distributor when several monitors are connected.

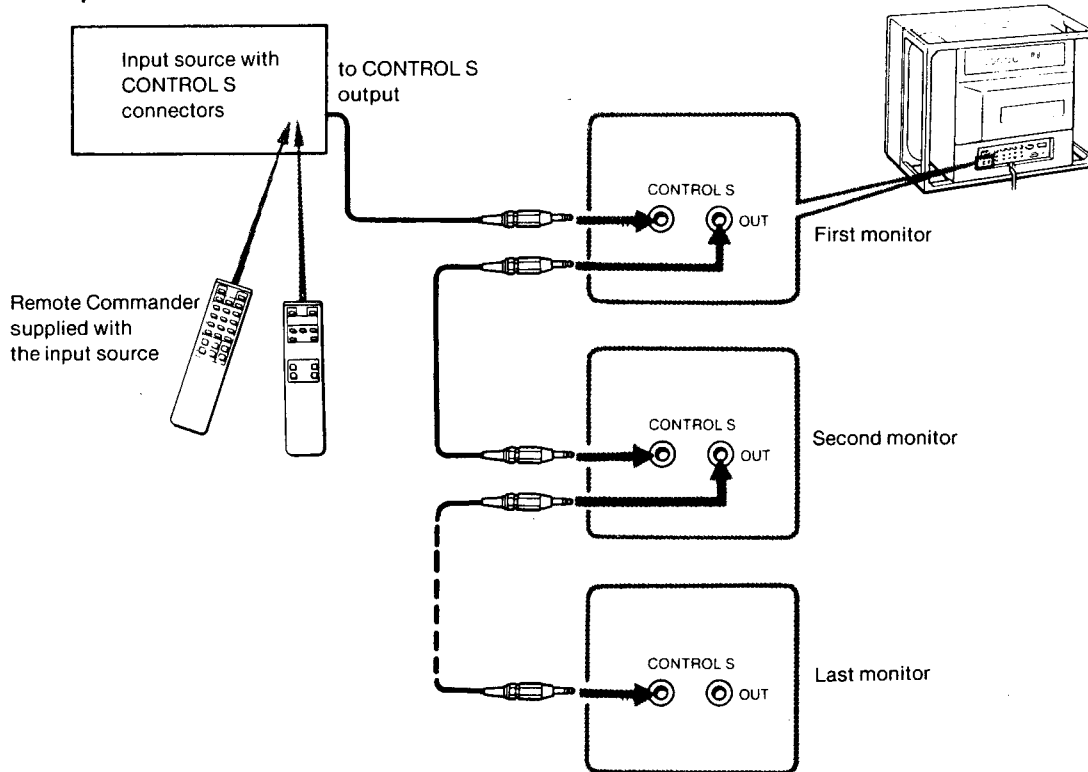




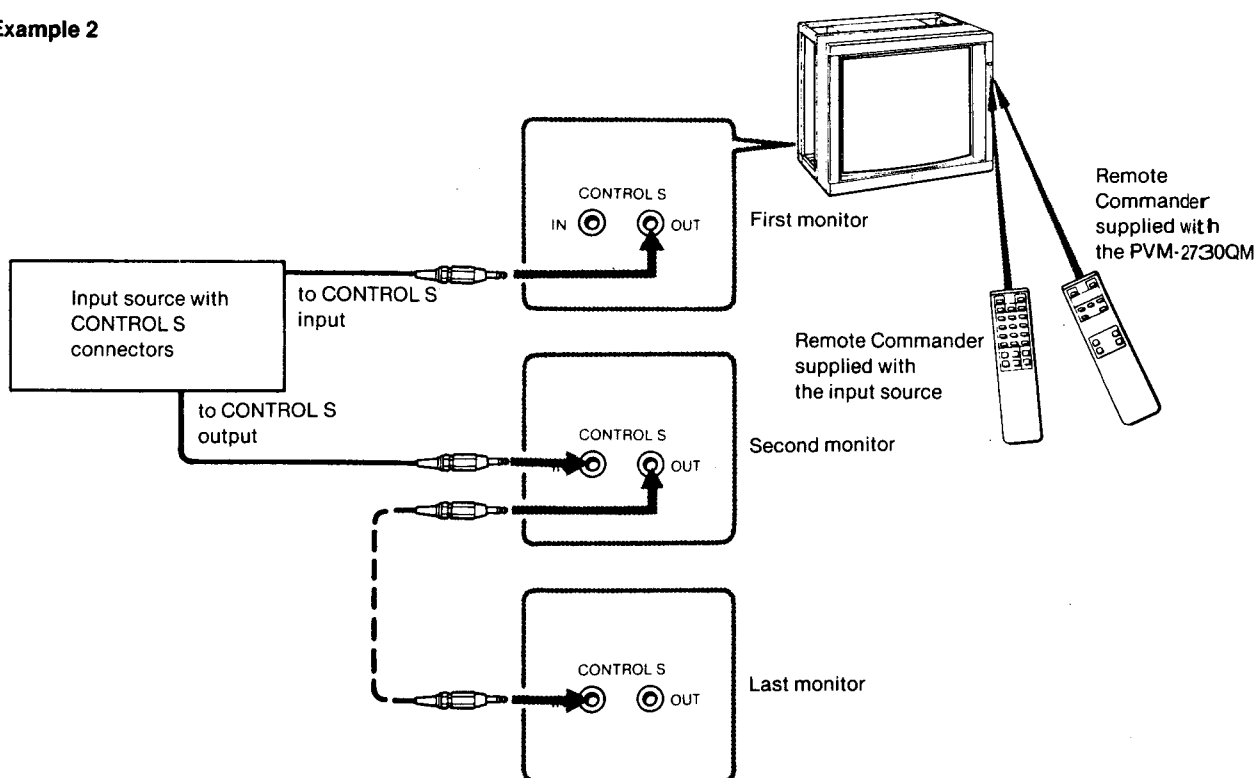
**CONTROL S CONNECTION**

The following connections allow remote control of several monitors and a VTR through a single monitor.

**Example 1**



**Example 2**

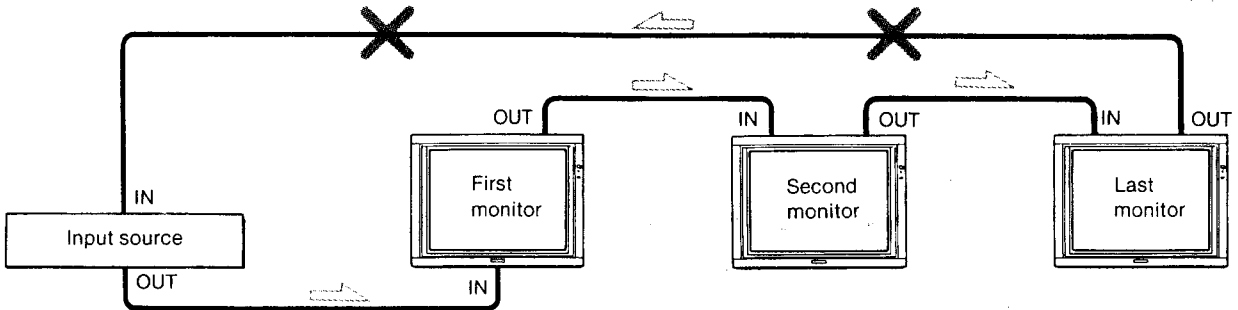


**PVM-2730QM**  
RM-668

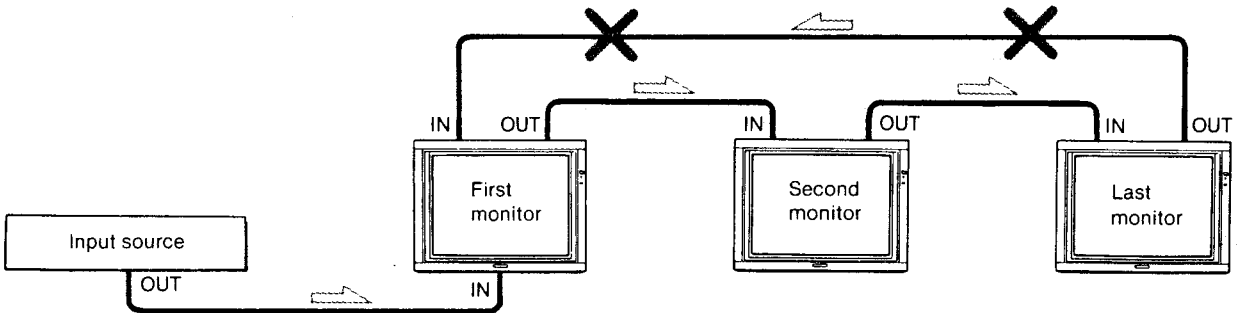
**Note**

Do not use the following loop connections.

**Example 1**



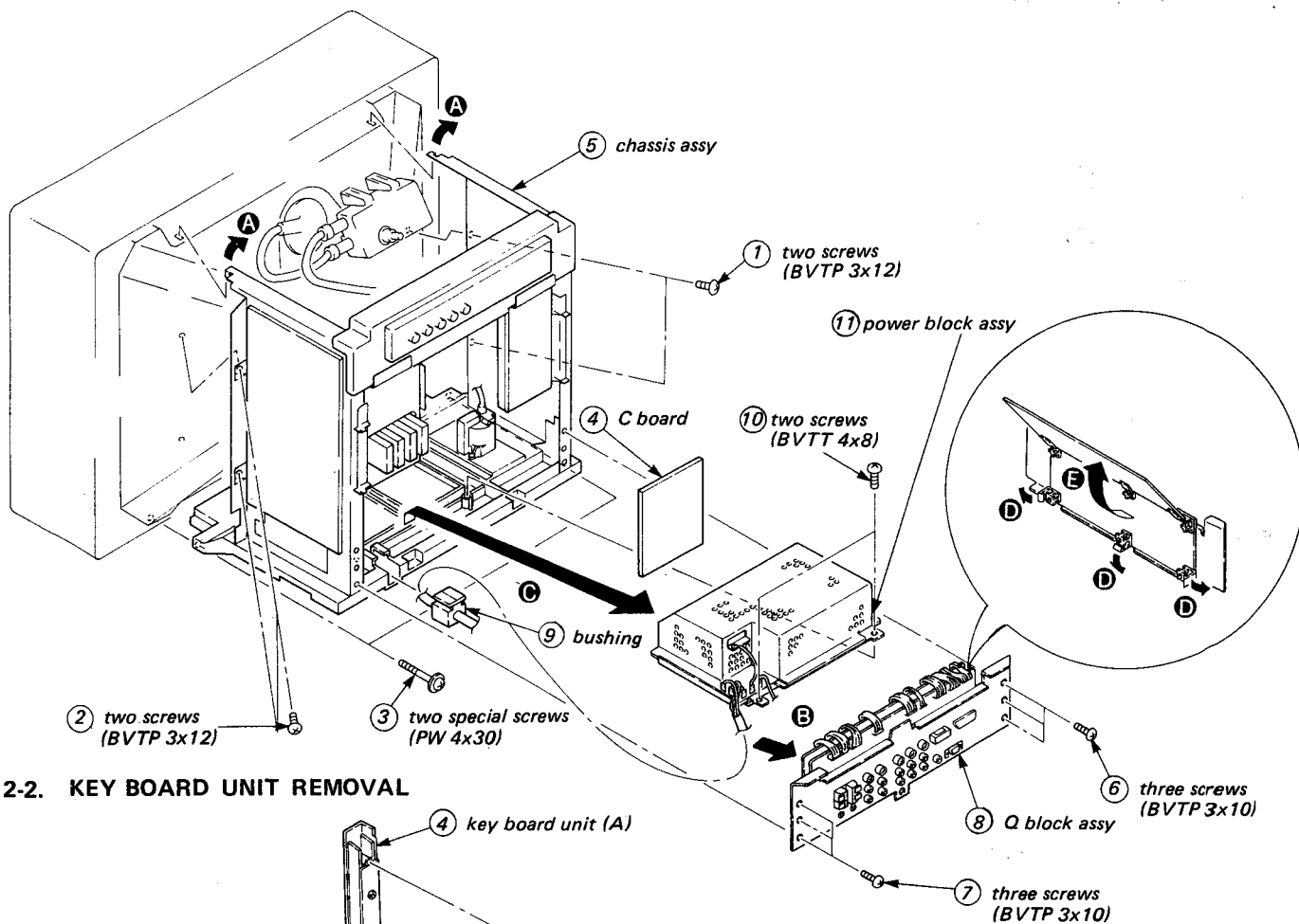
**Example 2**



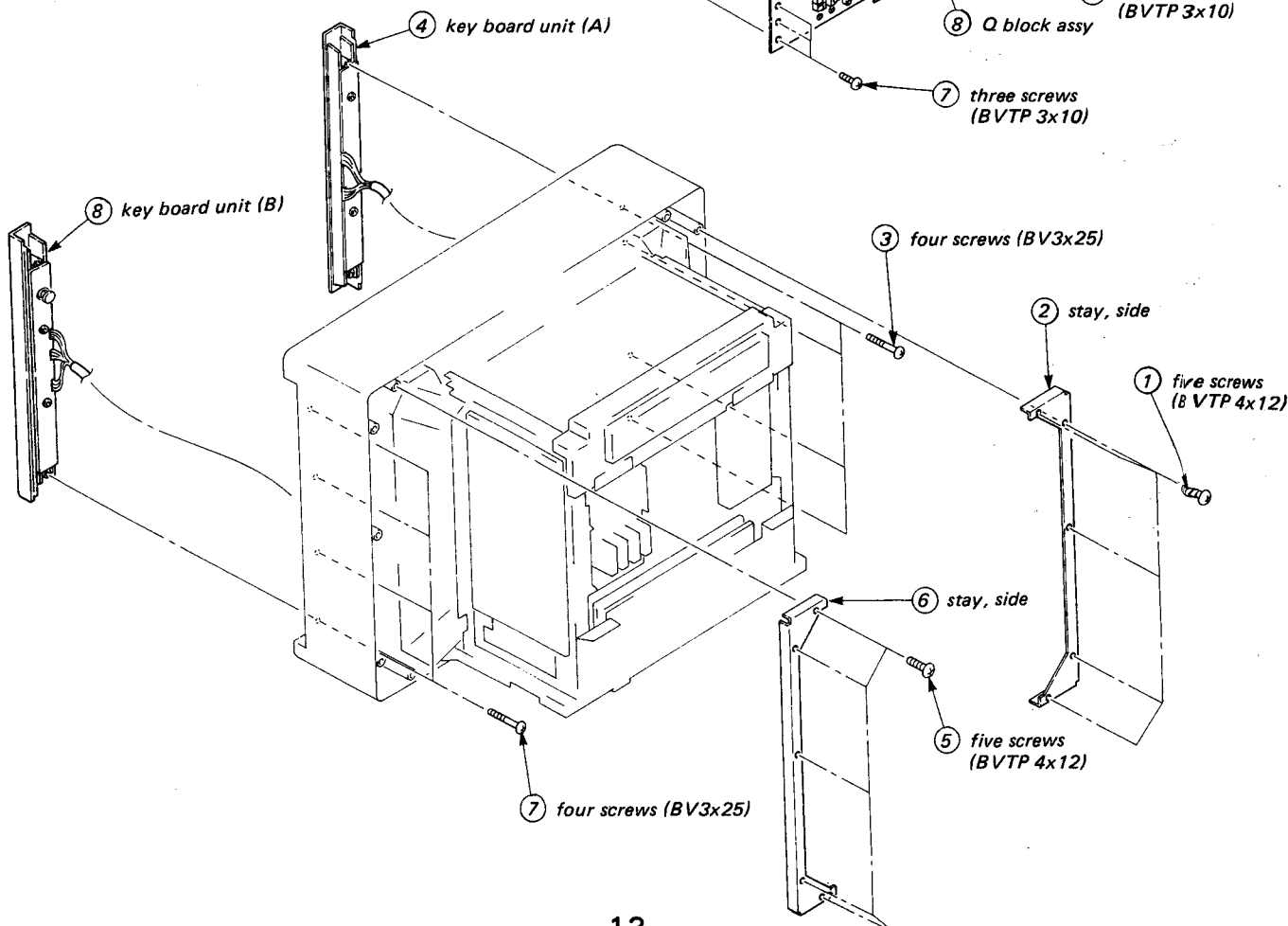
← CONTROL S signal flow

## SECTION 2 DISASSEMBLY

### 2-1. CHASSIS ASSY AND POWER BLOCK ASSY REMOVAL

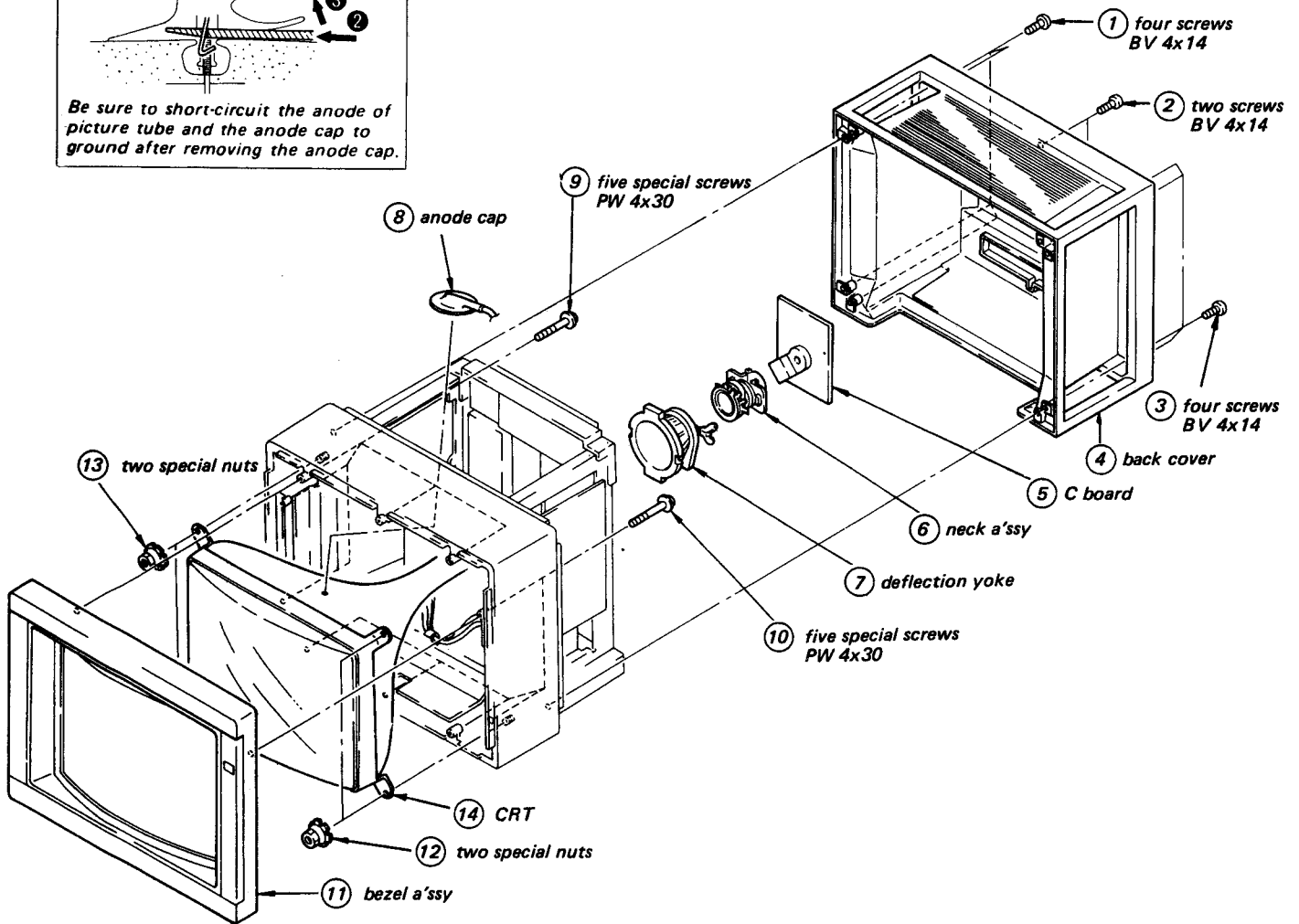
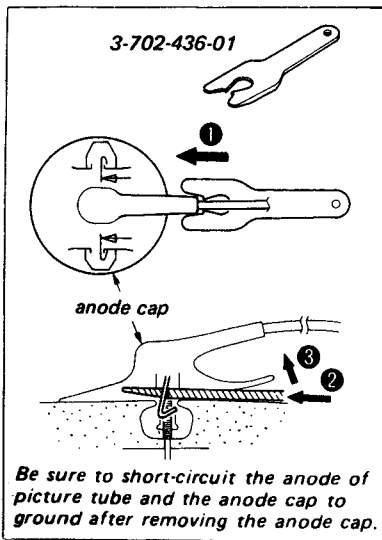


### 2-2. KEY BOARD UNIT REMOVAL



**PVM-2730QM**  
RM-668

**2.3. PICTURE TUBE REMOVAL**



## SECTION 3 SETUP ADJUSTMENTS

The following adjustments should be made when a complete realignment is required or a new picture tube is installed. These adjustments should be performed with rated power supply voltage unless otherwise noted.

Perform the adjustments in order as follows:

1. Beam Landing
2. Convergence
3. SCREEN and White Balance

**Note:** Test Equipment Required.

1. Color-bar/Pattern Generator
2. Degausser

### 3-1. BEAM LANDING

Preparation:

- Feed in the white pattern.
- Before starting, degauss the entire screen.

1. Loosen deflection yoke screw.
2. Position neck ass'y as shown in Fig. 3-1.
3. Adjust purity control as shown in Fig. 3-2.
4. Slide deflection yoke as far forward as it will go.
5. Turn the raster signal of the pattern generator to red.
6. Adjust purity control to center vertical red band as shown in Fig. 3-3.
7. Slide deflection yoke back for a uniform red screen.
8. Check green and blue rasters for uniformity by performing the same way as steps 5, 6 and 7.
9. Tighten the deflection yoke screw.
10. Check if mislanding appears at corners a - d as shown in Fig. 3-4. If mislanding is observed, correct it as shown in Fig. 3-4.
11. Confirm that beam landing is correct when the receiver is faced in all directions.

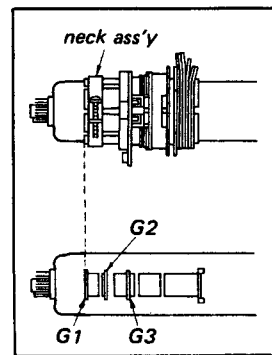


Fig. 3-1.

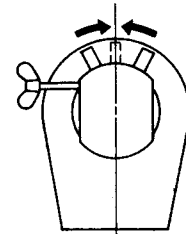


Fig. 3-2.

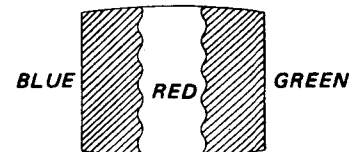


Fig. 3-3.

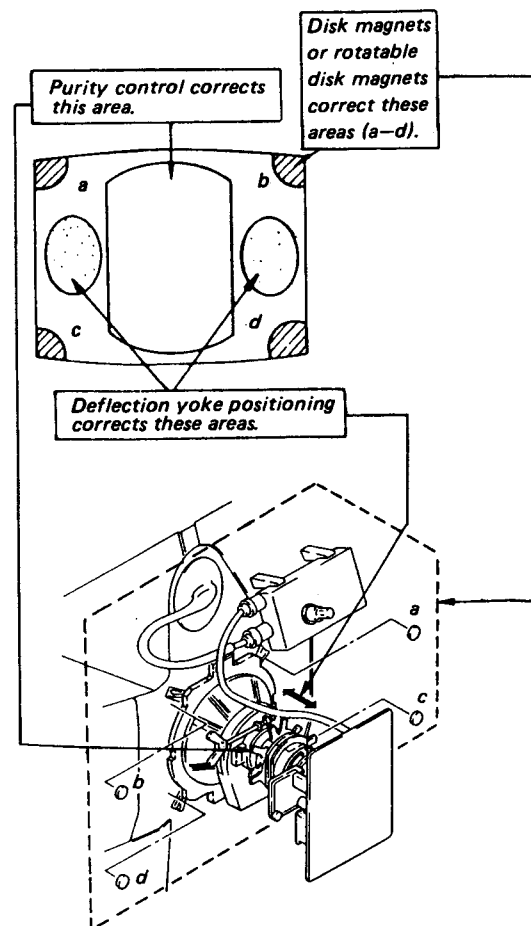
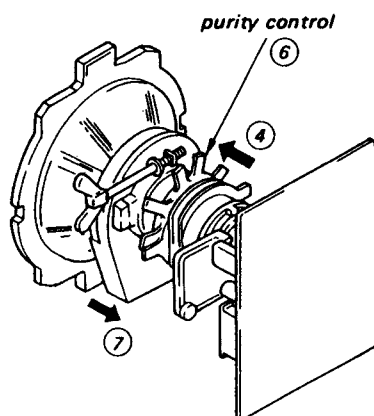


Fig. 3-4.

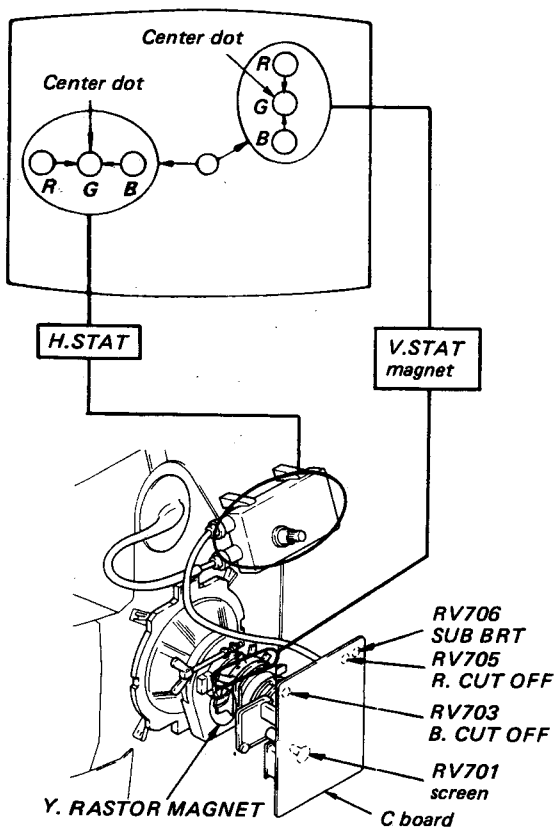
**PVM-2730QM**  
RM-668

**CONVERGENCE**

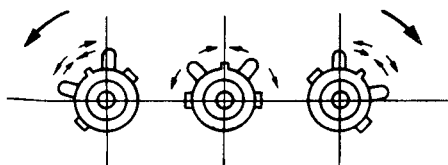
Preparation:

- PICTURE — fully counterclockwise
- BRIGHTNESS — fully counterclockwise
- CORNER BOW (RV2504)
- H.TILT (RV2502)
- Y.BOW (RV2503) D<sub>2</sub> board
- H.AMP (RV2501) mechanical center
- Y.CROSS (RV2505)
- Input a dots signal.

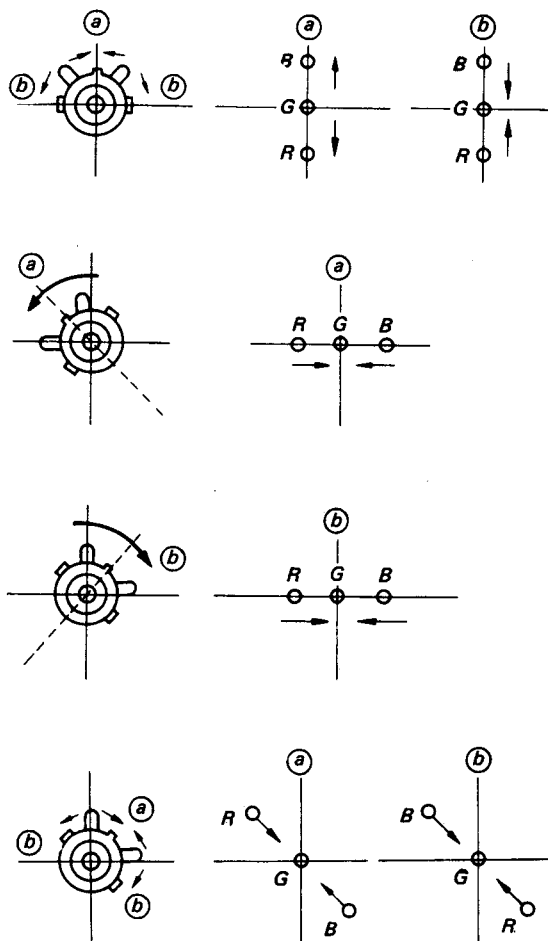
1. Match the horizontal convergence at the center of the screen with H.STAT VR.
2. Match the vertical convergence at the center of the screen with V.STAT Mg.



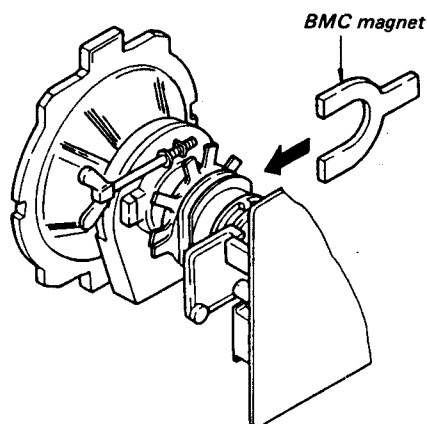
3. If the red, green and blue dots do not coincide on the center of screen with H.STAT VR, perform horizontal convergence adjustment using H.STAT VR and V.STAT magnet as shown below.  
(In this case, H.STAT VR and V.STAT magnet effect each other.)



4. When the V.STAT magnet is moved in the direction of arrow a and b, Red, Green and Blue dots move as shown below.



If blue dot does not coincide with red and green dot, perform following steps.  
Move BMC magnet (a) to correct insufficient H. static convergence.  
In either case, repeat Beam Landing Adjustment.





**DYNAMIC CONVERGENCE Adjustment**

**Preparation:**

- Before starting, perform Horizontal and Vertical Static Convergence Adjustment.

1. Loosen deflection yoke screw.
2. Remove deflection yoke spacers.
3. Move the deflection yoke for best convergence.
4. Tighten the deflection yoke screw.
5. Install the deflection yoke spacers.
6. Adjust the Y.CROSS (RV2505) and Y. BOW (RV2503), so that RED and BLUE shown in Fig-1 will become  $a=b=c$ .

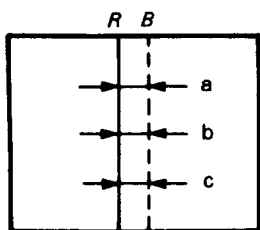


Fig. 1

7. Match the horizontal convergence at the center of the screen with H STAT VR.
8. Adjust the CORNER BOW (RV2504), so that RED and BLUE shown in Fig-2 will become  $a=b=c$  and  $d=e=f$ .

Note: At this point, if the relationship between  $a=c$  or  $d=f$  is not established, adjust the Y · CROSS (RV2505) again.

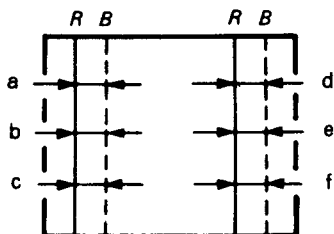


Fig. 2

9. Match the horizontal convergence at the centre of the screen with the H STAT VR.
10. Adjust the H TILT (RV2502) so that the RED and BLUE shown in Fig-3 will become  $a=b$ .

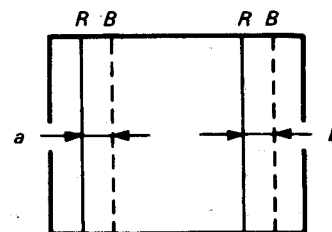


Fig. 3

11. Adjust the H AMP (RV2501) so that the RED and BLUE shown in Fig-4 will become  $a=2b$ .

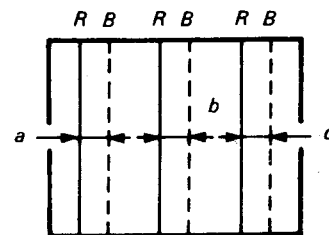
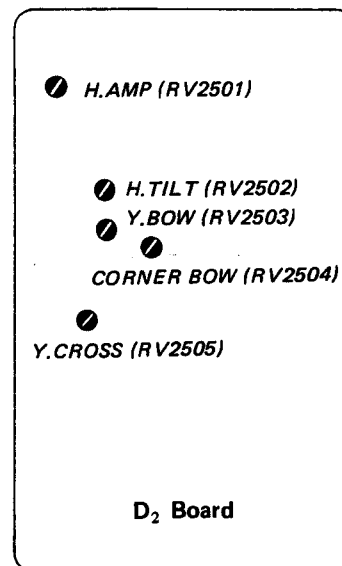


Fig. 4

12. Match the horizontal convergence at the center of the screen with the H STAT VR.
13. When the H AMP is adjusted repeat the procedures described in Steps 5 to 7.
14. If divergence of the convergence exists at the corner of the screen, the adjustments described in Steps after 3 should be repeated.



(Conductor Side)

# PVM-2730QM

RM-668

## WHITE BALANCE ADJUSTMENT

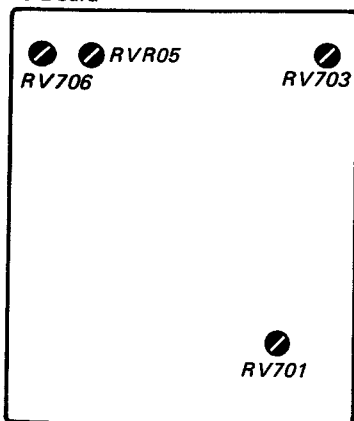
### 1) SCREEN (G2) Adjustment

1. Input the dot signal.
2. Set the PICTURE control to minimum.
3. Confirm that G1 line voltage is  $30 \pm 5$ vDC.
4. Apply 180vDC voltage from DC POWER SUPPLY to cathodes terminal of R.G.B.
5. Adjust with the various cut off controls (RV705), (RV703) so that the cathode voltage for Red and Blue is 180v.
6. While watching the screen, adjust with the position immediately before the trace disappears with the screen control (RV701).

### 2) W/B Adjustment

1. Input a all white signal.
2. Set the PICTURE control to minimum and "Reset" BRIGHTNESS.
3. Adjust RV705 (cut off R) and RV703 (cut off B) for best White Balance.
4. Set PICTURE control to maximum.
5. Adjust RV3301 (B, IK) and RV3320 (G, IK) for best White Balance.
6. Reset steps 2 to 5.

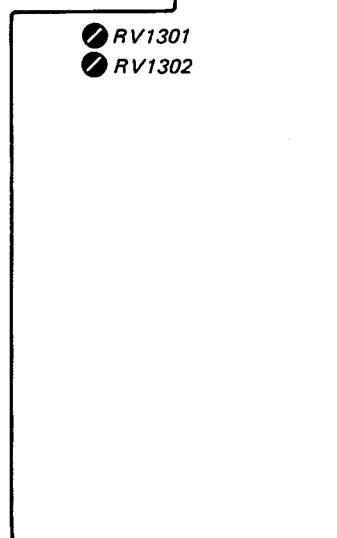
C Board



(Component side)

RV701 (SCRN)  
RV703 (B. CUT OFF)  
RV705 (R. CUT OFF)  
RV706 (SUB BRT)

B Board



(Component side)

RV1301 (G IK)  
RV1302 (B IK)

PVM-2730QM RM-668 PVM-2730QM RM-668

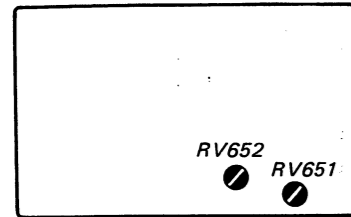
SECTION 4  
CIRCUIT ADJUSTMENTS

4-1. FA, FC BOARDS ADJUSTMENT

**+B Line Adjustment**

1. Supply 220V ac to with variable auto-transformer.
2. Adjust RV651 so that the +B line is 140V ±0.5V.
3. Adjust RV652 so that the pin ① of IC651 is 32 ±0.1V.

FA Board



RV651 (+B ADJ)  
RV652 (REF ADJ)

(Component side)

4-2. D AND D3 BOARD ADJUSTMENTS

**Horizontal Position Adjustment**

1. Check that H center moves so that and left with horizontal position VR (RV1503), then adjust horizontal position to center.

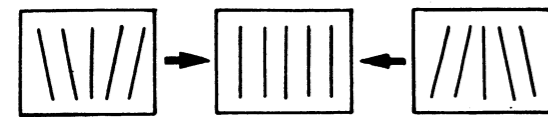
**HV REG. ADJUSTMENT**

1. Set the PICTURE control to maximum and BRIGHTNESS control for the RESET position.
2. Adjust HV REG voltage to 1.0 ±0.1 V dc with RV1510.

**Picture Distortion Adjustment**

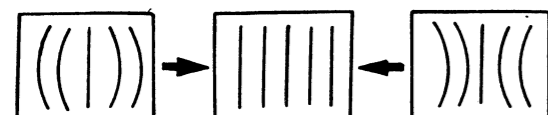
1. Picture distortion adjustment input a PAL color bar signal equivalent to a crosshatch signal.
2. Confirm that the voltage of connector D-10 is less than 9.98V dc when the RV1510 (HV REG VR), with fully clockwise.

**PIN PHASE (RV2603) . . . . .D3 Board**



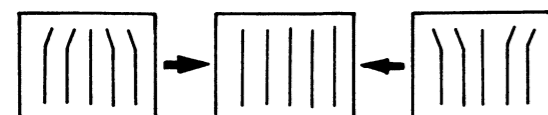
(Note: NTSC PIN PHASE RV-2604)

**PIN AMP (RV2605) . . . . .D3 Board**

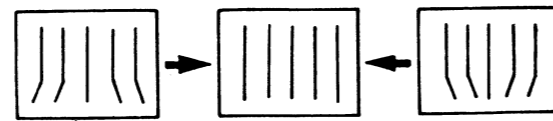


(Note: NTSC PIN AMP RV-2606)

**TOP PIN (RV2601) . . . . .D3 Board**



**BOTTOM PIN (RV2602) . . . . .D3 Board**



3. Adjust RV1505 (H. SIZE) so that H. SIZE is best.
4. Adjust RV1503 (H. CENT) so that horizontal position is center.
5. Adjust RV501 (V. SIZE) so that V. SIZE is best.
6. Adjust RV503 (V. CENT) so that V. CENT is best.
7. Adjust RV1506 (PICTURE AMP) so that picture center is best.

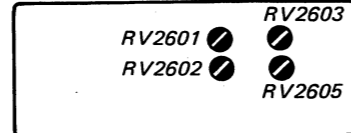
**H. FREQ ADJUSTMENT**

1. Input a color bar signal and short between IC1501 pins ① and ①.
2. Adjust RV1501 (H. FREQ VR) so that picture flow is as shown in figure.
3. After adjustment, remove the connections in step 1.



fo: suitable

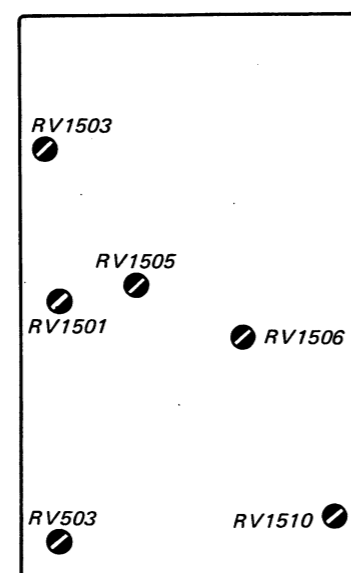
D3 Board



(Component side)

RV2601 (TOP PIN)  
RV2602 (BOTTOM PIN)  
RV2603 (PIN PHASE 50)  
RV2605 (PIN AMP 50)

D Board

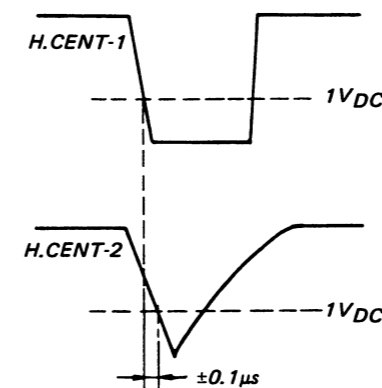
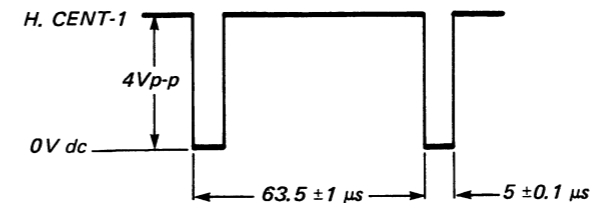


RV503 (V. CENT)  
RV1501 (H. FREQ)  
RV1503 (H. CENT)  
RV1505 (H. SIZE)  
RV1506 (PICTURE AMP)  
RV1510 (H.V REG)

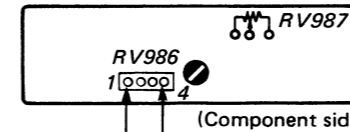
4-3. HC BOARD ADJUSTMENT

**H. CENTER Adjustment (DIGITAL RGB)**

1. Connect to the digital RGB output connector of a microcomputer.
2. Press to select the RGB mode.
3. Turn the H. CENT VR (RV987--- Rear control panel) to center position.
4. Connect the oscilloscope to pin ④ of HC-2 connector and pin ① of HC-2 connector.
5. Adjust RV986 (H. CENT-2) so that the phase difference level is ±0.1µsec.



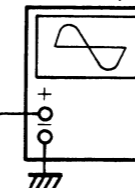
HC Board



RV986 (H. CENT-2)  
RV987 (H. CENT VR)

(Component side)

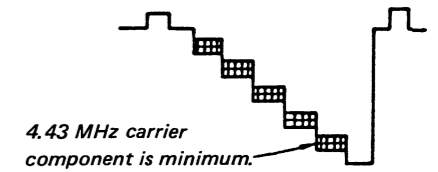
oscilloscope



4-4. B BOARD ADJUSTMENTS

**Y Chroma Adjustment**

1. Input a PAL color bar signal.
2. Connect an oscilloscope to pin ③⑤ of IC301, and adjust so that chroma component is minimum on pin ③⑤ of IC301 waveform while tracking with L451 (4.43 MHz).



3. Input a NTSC (3.58) color bar signal.
4. Connect an oscilloscope to pin ③⑤ of IC301 and adjust so that chroma component is minimum on pin ③⑤ of IC301 waveform while tracking with L452.

**COLOR BALANCE Adjustment**

1. Input a SECAM color bar signal and set PICTURE to maximum. Press "RESET" to set color to standard state.
2. Observe blue output (TP33) waveform on the oscilloscope and adjust L421 (B-Y) so that the black portion of the color bar is the same level as the pedestal.



3. Observe blue output (TP31) waveform on the oscilloscope and adjust L405 (R-Y) so that the black portion of the color bar is the same level as the pedestal.



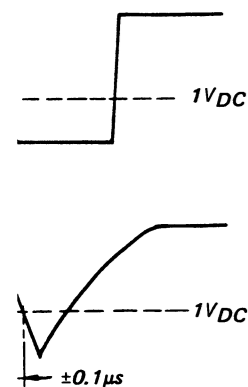
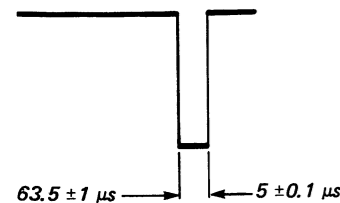
**PVM-2730QM**  
RM-668

**PVM-2730QM**  
RM-668

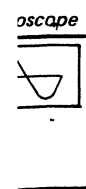
**MENT**

**DIGITAL RGB**

RGB output connector of a mode. (RV987--- Rear control panel) e to pin ④ of HC-2 connector inector. NT-2) so that the phase differ-



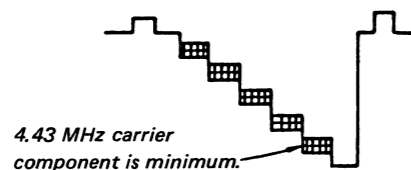
RV987  
RV986 (H. CENT-2)  
RV987 (H. CENT VR)



**4.4. B BOARD ADJUSTMENTS**

**Y Chroma Adjustment**

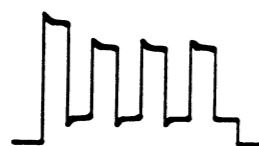
1. Input a PAL color bar signal.
2. Connect an oscilloscope to pin ③⑤ of IC301, and adjust so that chroma component is minimum on pin ③⑤ of IC301 waveform while tracking with L451 (4.43 MHz).



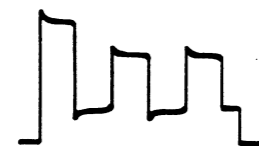
3. Input a NTSC (3.58) color bar signal.
4. Connect an oscilloscope to pin ③⑤ of IC301 and adjust so that chroma component is minimum on pin ③⑤ of IC301 waveform while tracking with L452.

**COLOR BALANCE Adjustment**

1. Input a SECAM color bar signal and set PICTURE to maximum. Press "RESET" to set color to standard state.
2. Observe blue output (TP33) waveform on the oscilloscope and adjust L421 (B-Y) so that the black portion of the color bar is the same level as the pedestal.



3. Observe blue output (TP31) waveform on the oscilloscope and adjust L405 (R-Y) so that the black portion of the color bar is the same level as the pedestal.



**ANTI-PAL, LINE CRAWLING Adjustment**

1. Input a PAL color bar signal and set PICTURE to maximum. Press "RESET" to set COLOR, HUE and BRT to standard state.
2. Confirm that there is no color on the first anti-PAL signal frames at the right and left of the picture. If sides while tracking with RV303.
3. Adjust T301 (DAT) for minimum line crawling.
4. Confirm the anti-PAL adjustment in 2, and repeat 3, and 1 if necessary.

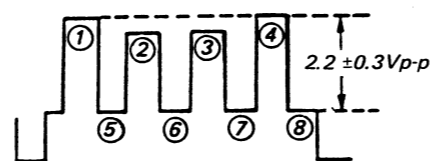
**APC Adjustment**

- 4.43 adjustment**
1. Input a PAL color bar signal.
  2. Short pin ①① and pin ①② on IC301.
  3. Adjust CT443 to get color sync.

- 3.58 adjustment**
4. Input a NTSC (3.58 MHz) color bar signal.
  5. Adjust CT358 to get color sync.

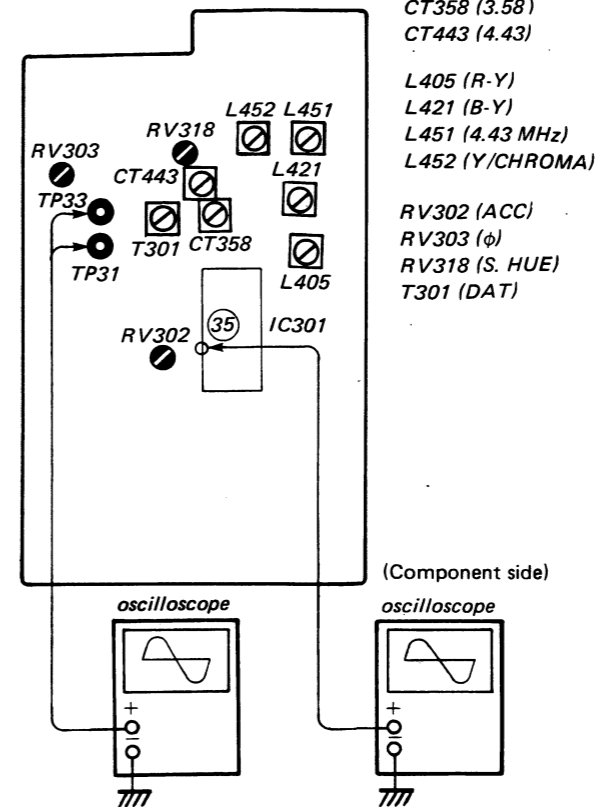
**ACC, HUE CENT Adjustment**

1. Input a PAL color bar signal and set PICTURE maximum.
2. Adjust RV302 (ACC ADJ) so that blue output (TP33) waveform is as shown in figure.



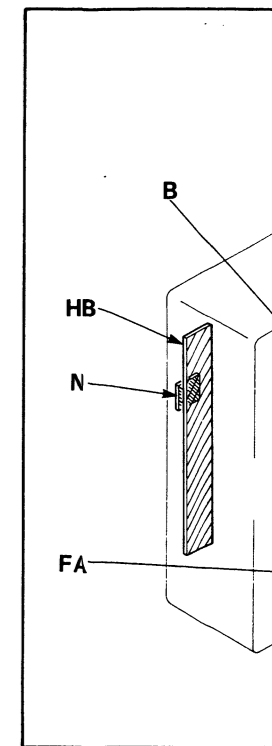
3. Input a NTSC (3.58 or 4.43) color bar signal and set PICTURE to maximum. Press "RESET" to set COLOR, HUE and BRIGHTNESS to standard state.
4. Adjust RV318 (S. HUE) so that blue output (TP33) waveform is as shown in figure.

**B Board**



- CT358 (3.58)
- CT443 (4.43)
- L405 (R-Y)
- L421 (B-Y)
- L451 (4.43 MHz)
- L452 (Y/CHROMA)
- RV302 (ACC)
- RV303 (φ)
- RV318 (S. HUE)
- T301 (DAT)

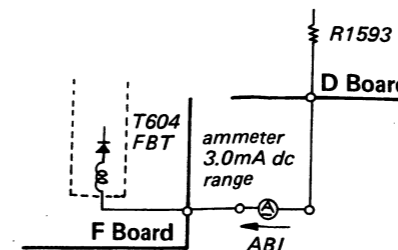
**5-1. CIRCUIT BOARDS LOCATION**



**4-5. SAFETY CHECK Adjustment**

**HOLD DOWN ADJUSTMENT ( \*R597)**

1. Turn the POWER switch ON, and receive entirely white signals and set the PICTURE and BRIGHTNESS control to maximum.
  2. Confirm that the voltage of the TP85 is more than 8.7V DC when the set is operating normally with 120V AC supply.
  3. Adjust ABL current to 1600 ± 30μA with PICTURE and BRIGHTNESS.
  4. Confirm that there is less than 10.50V DC where by the raster disappears during operation of hold-down circuit. (HOLD DOWN check point of TP85)
  5. Adjust ABL current to 290 ± 5μA with PICTURE and BRIGHTNESS.
  6. Confirm that there is less than 11.00V DC where by the raster disappears during operation of hold-down circuit. (HOLD DOWN check point of TP85).
- Note: If the hold-down circuit starts operating in the above case, switch OFF and POWER of the set immediately.
7. If above steps is not satisfied, select resistance value of R597 and repeat above steps 1 through 6.



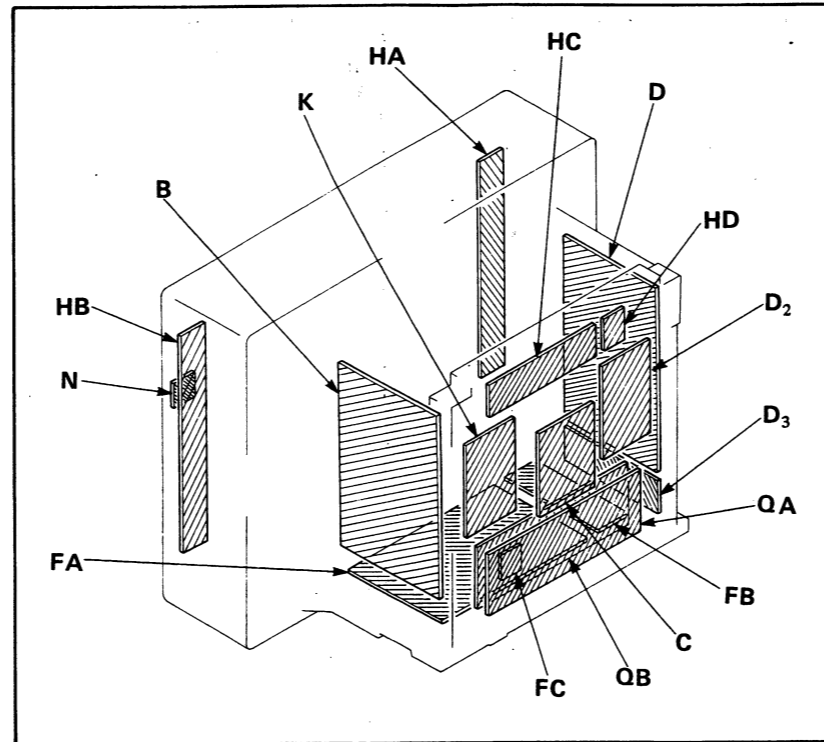
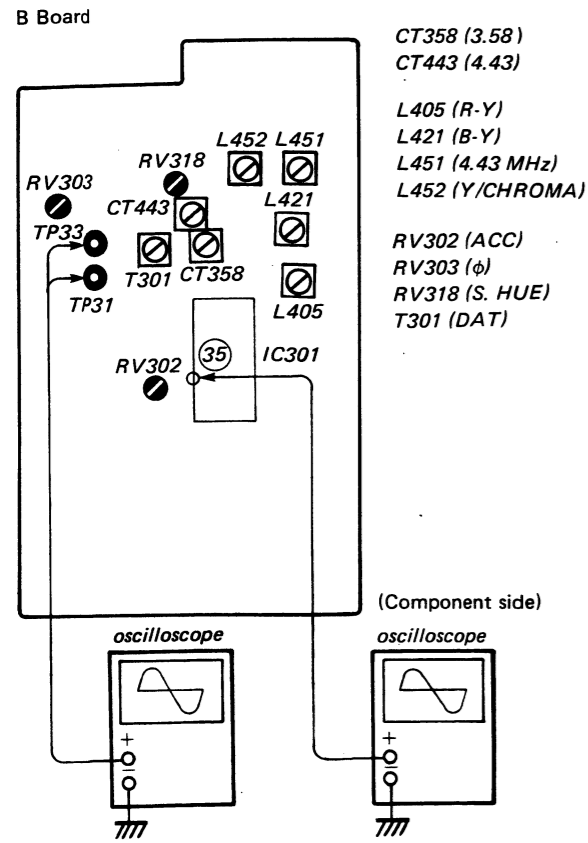
**PVM-2730QM**  
RM-668

**PVM-2730QM**  
RM-668

**PVM-2730QM**  
RM-668

**SECTION 5**  
**DIAGRAMS**

**5-1. CIRCUIT BOARDS LOCATION**



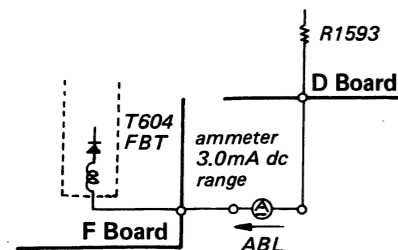
**4-5. SAFETY CHECK Adjustment**

**HOLD DOWN ADJUSTMENT ( \*R597)**

1. Turn the POWER switch ON, and receive entirely white signals and set the PICTURE and BRIGHTNESS control to maximum.
2. Confirm that the voltage of the TP85 is more than 8.7V DC when the set is operating normally with 120V AC supply.
3. Adjust ABL current to 1600 ±30μA with PICTURE and BRIGHTNESS.
4. Confirm that there is less than 10.50V DC where by the raster disappears during operation of hold-down circuit. (HOLD DOWN check point of TP85)
5. Adjust ABL current to 290 ±5μA with PICTURE and BRIGHTNESS.
6. Confirm that there is less than 11.00V DC where by the raster disappears during operation of hold-down circuit. (HOLD DOWN check point of TP85).

**Note:** If the hold-down circuit starts operating in the above case, switch OFF and POWER of the set immediately.

7. If above steps is not satisfied, select resistance value of R597 and repeat above steps 1 through 6.



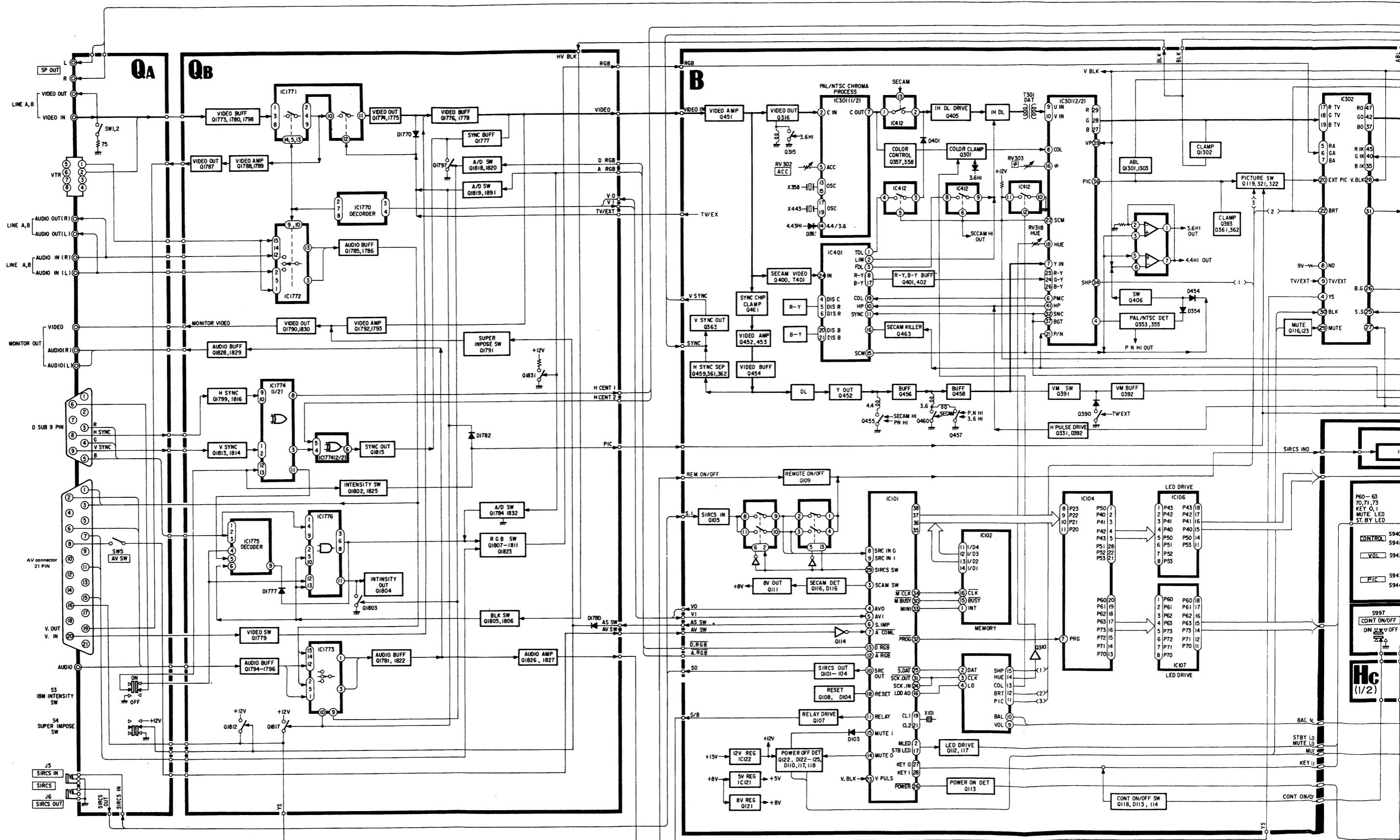


PVM-2730QM  
RM-668

PVM-2730QM  
RM-668

PVM-2730QM  
RM-668

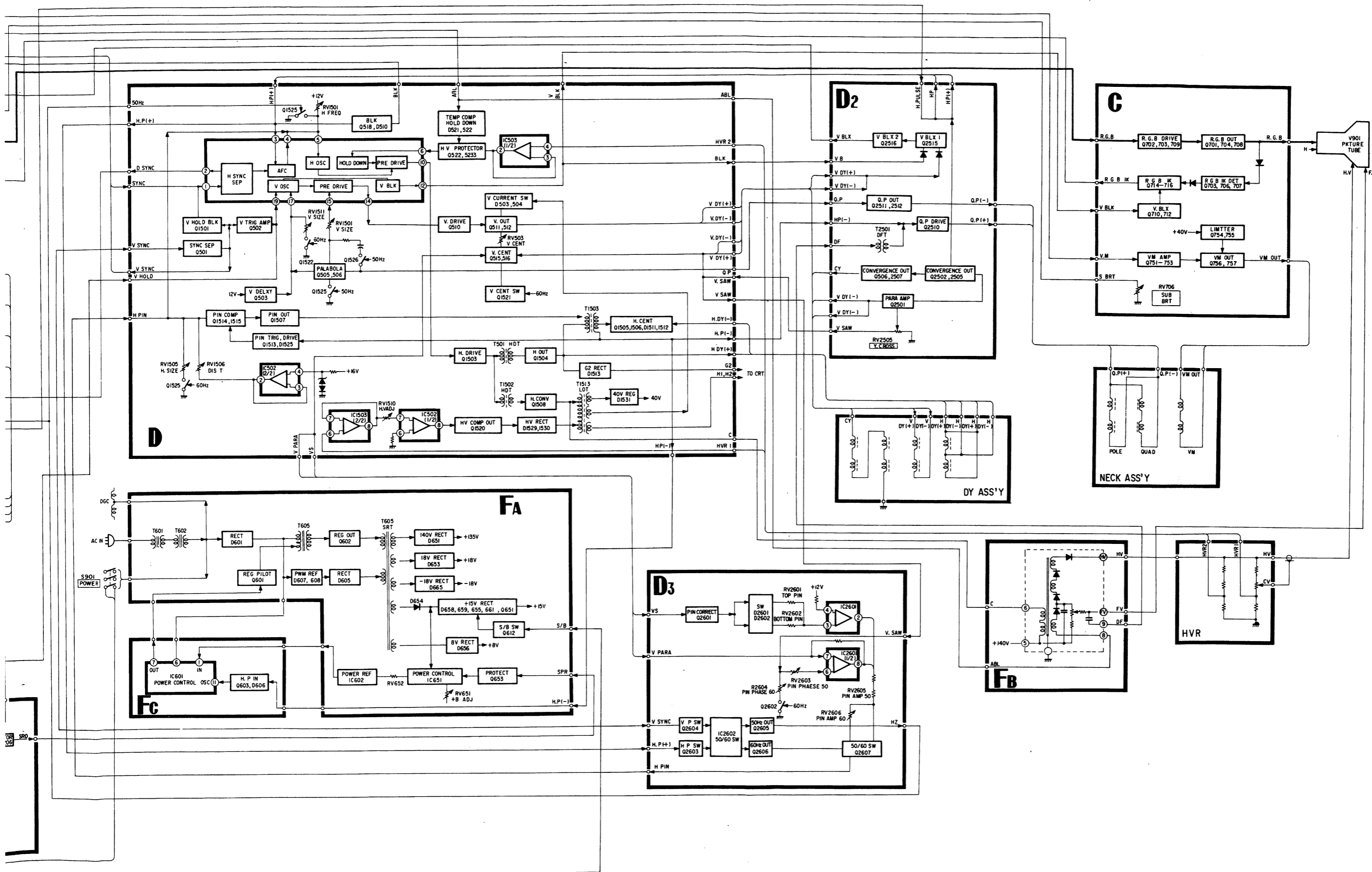
5-2. BLOCK DIAGRAM





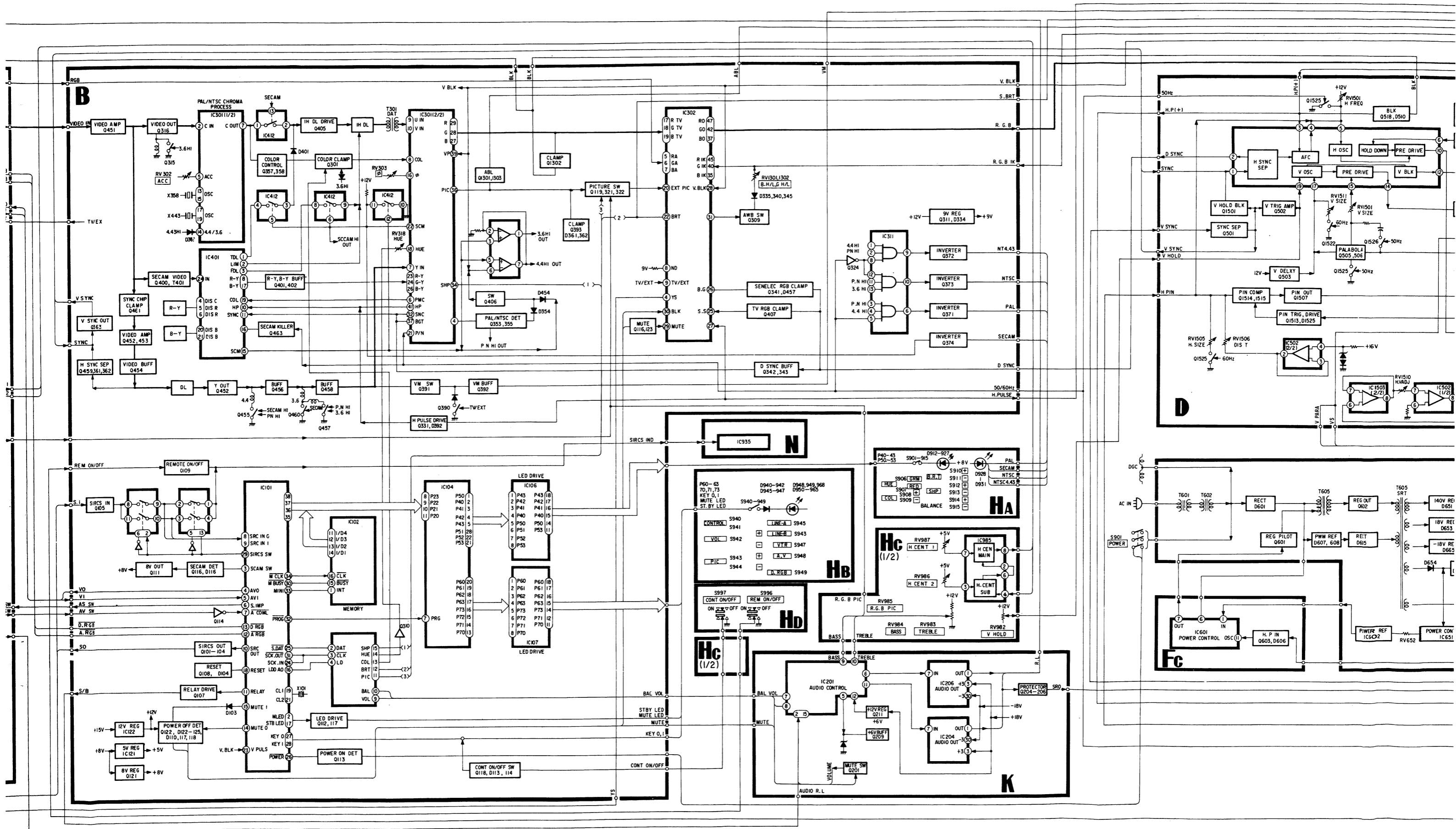
PVM-2730QM RM-668

PVM-2730QM RM-668



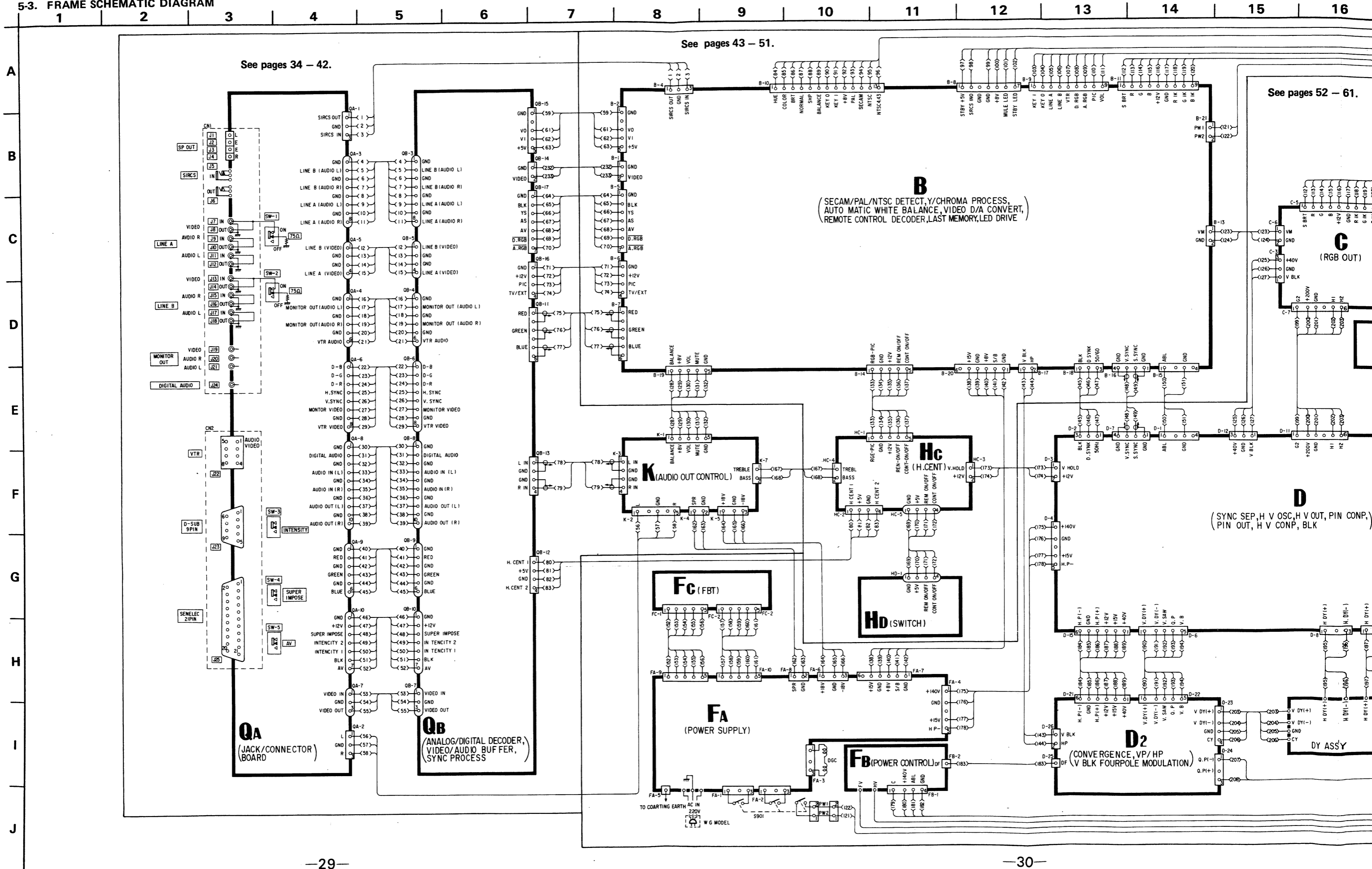
PVM-2730QM  
RM-668

PVM-2730QM  
RM-668



PVM-2730QM RM-668 PVM-2730QM RM-668

5-3. FRAME SCHEMATIC DIAGRAM





8 9 10 11 12 13 14 15 16 17 18 19 20 21 22 23

See pages 43 - 51.

**B**

(SECAM/PAL/NTSC DETECT, Y/CHROMA PROCESS, AUTO Matic WHITE BALANCE, VIDEO D/A CONVERT, REMOTE CONTROL DECODER, LAST MEMORY, LED DRIVE)

See pages 52 - 61.

**C**

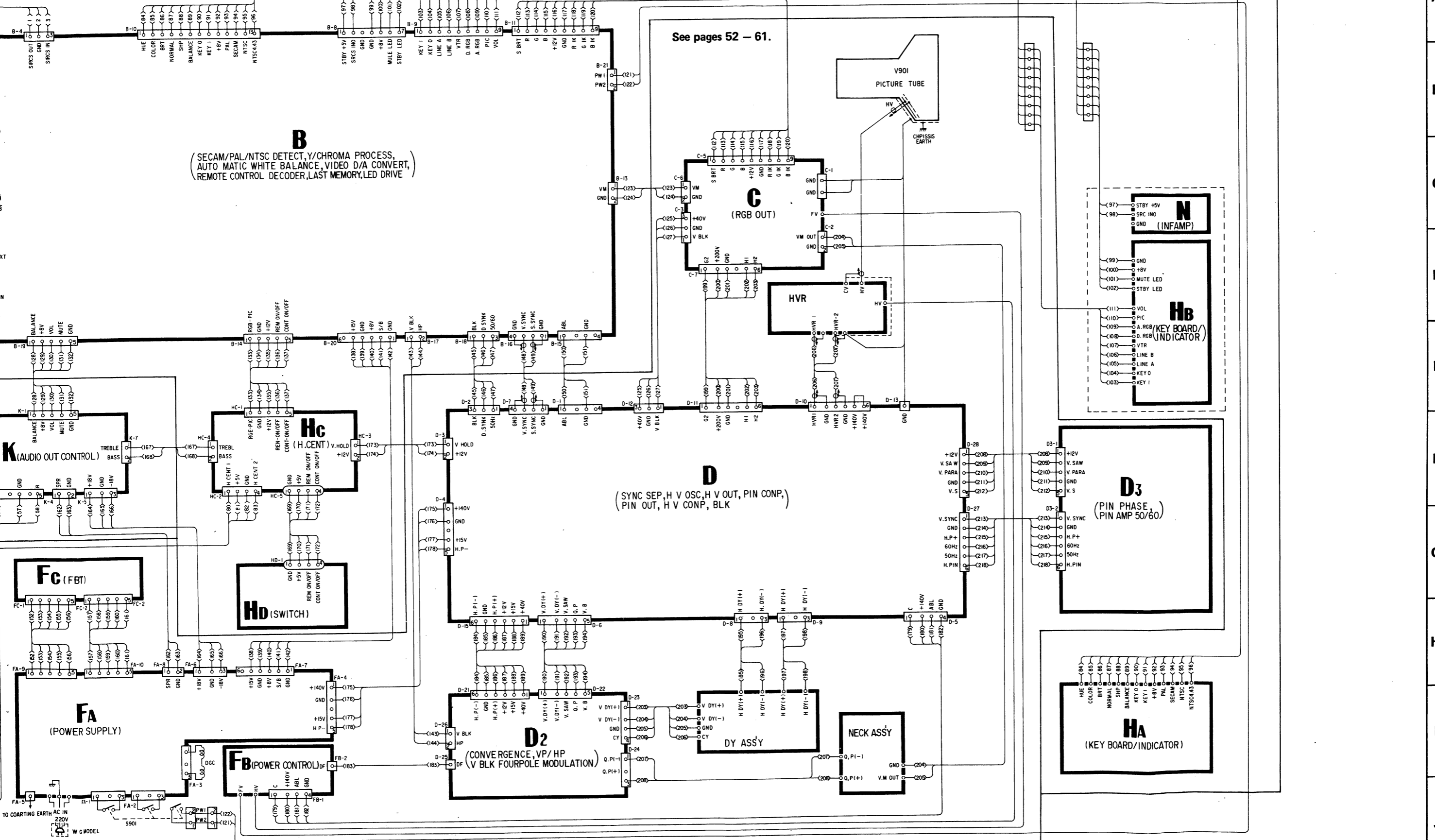
(RGB OUT)

**HVR**

(H.V. RECT)

**D**

(SYNC SEP, H V OSC, H V OUT, PIN COMP, PIN OUT, H V COMP, BLK)

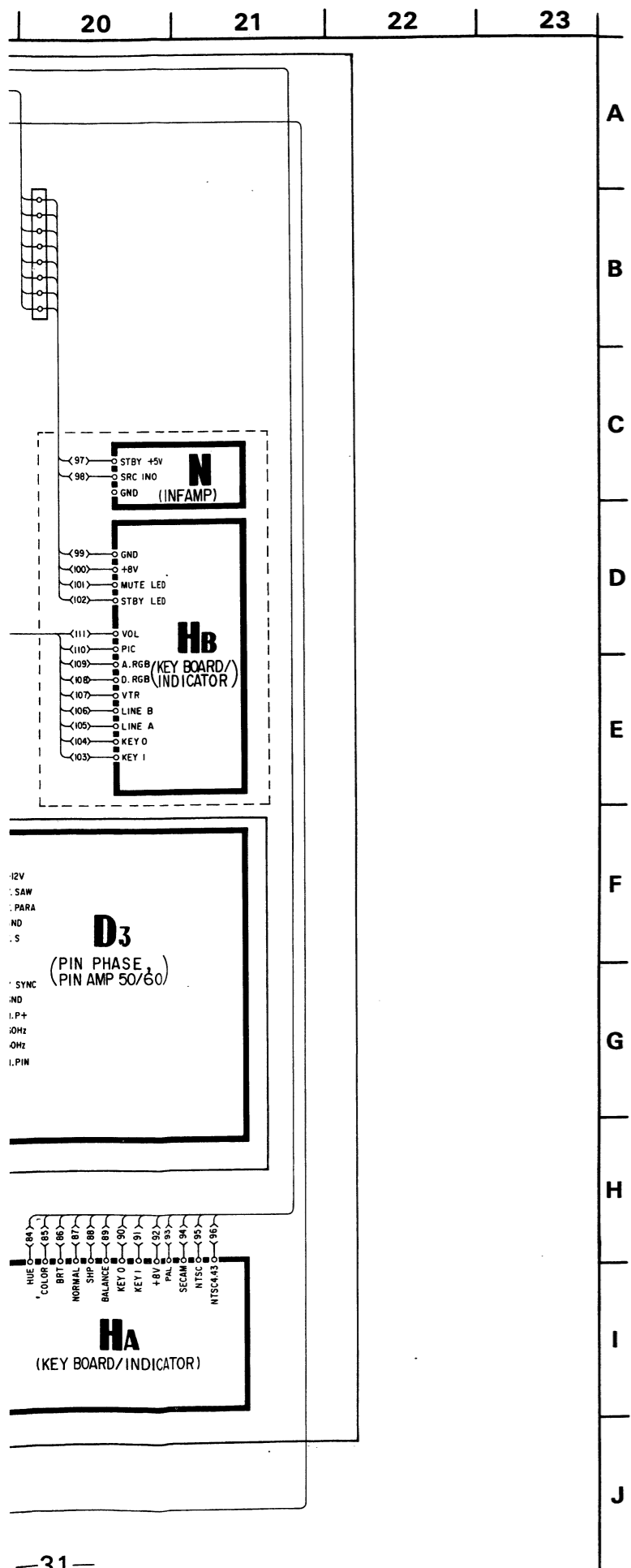


A  
B  
C  
D  
E  
F  
G  
H  
I  
J

PVM-2730QM  
RM-668

PVM-2730QM  
RM-668

PVM-2730QM  
RM-668



PVM-2730QM  
RM-668

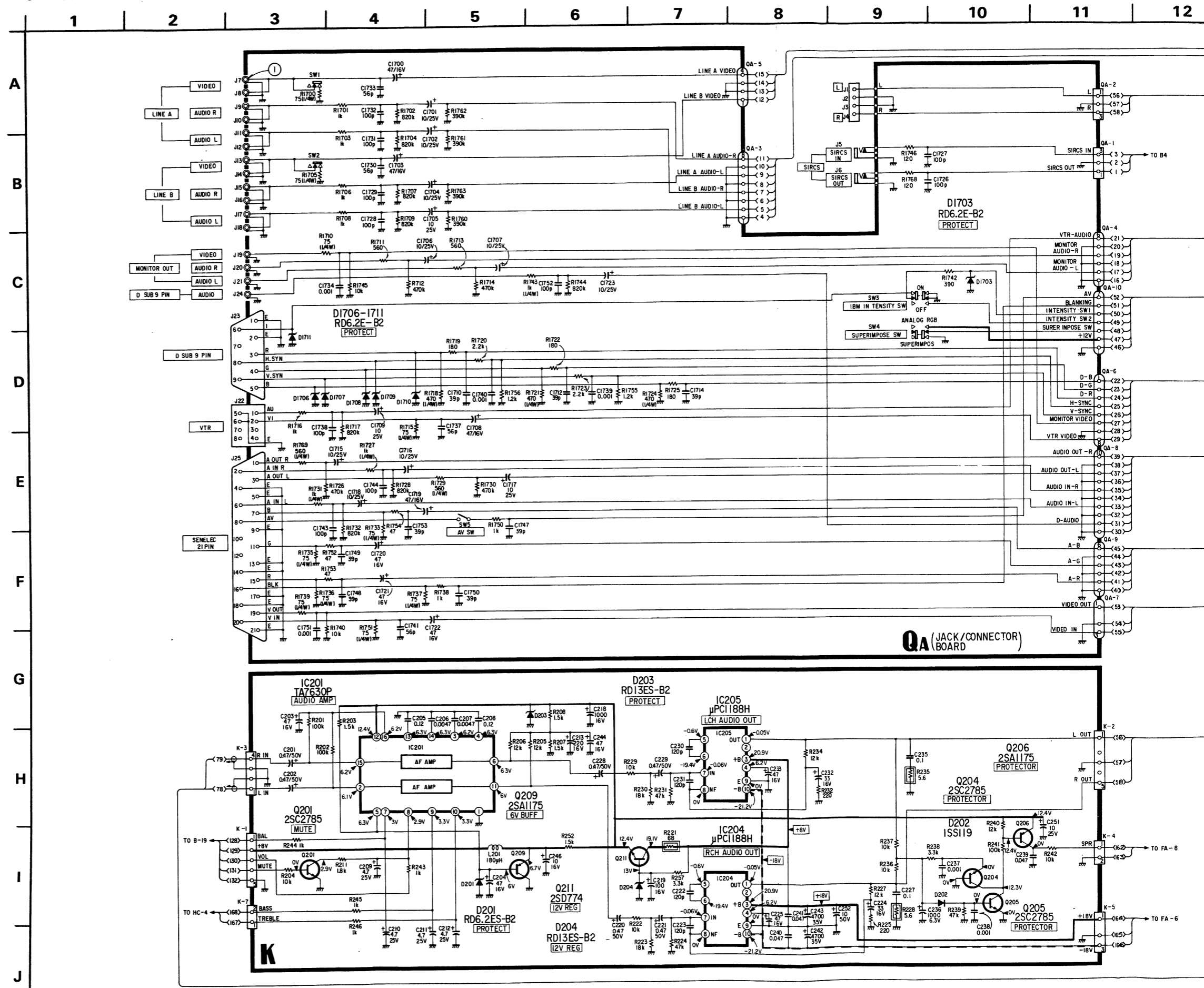
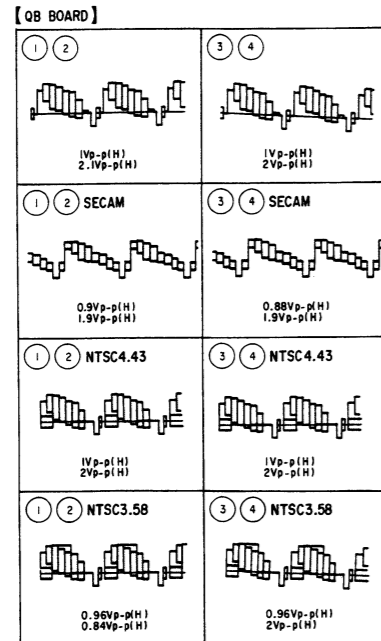
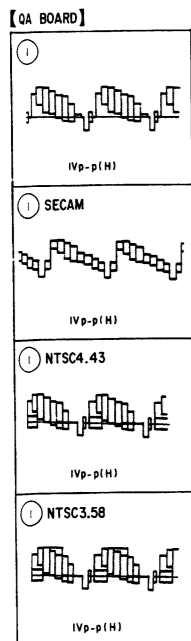
PVM-2730QM  
RM-668

PVM-2730QM  
RM-668

5-4. SCHEMATIC DIAGRAM AND PRINTED WIRING BOARDS

Note:

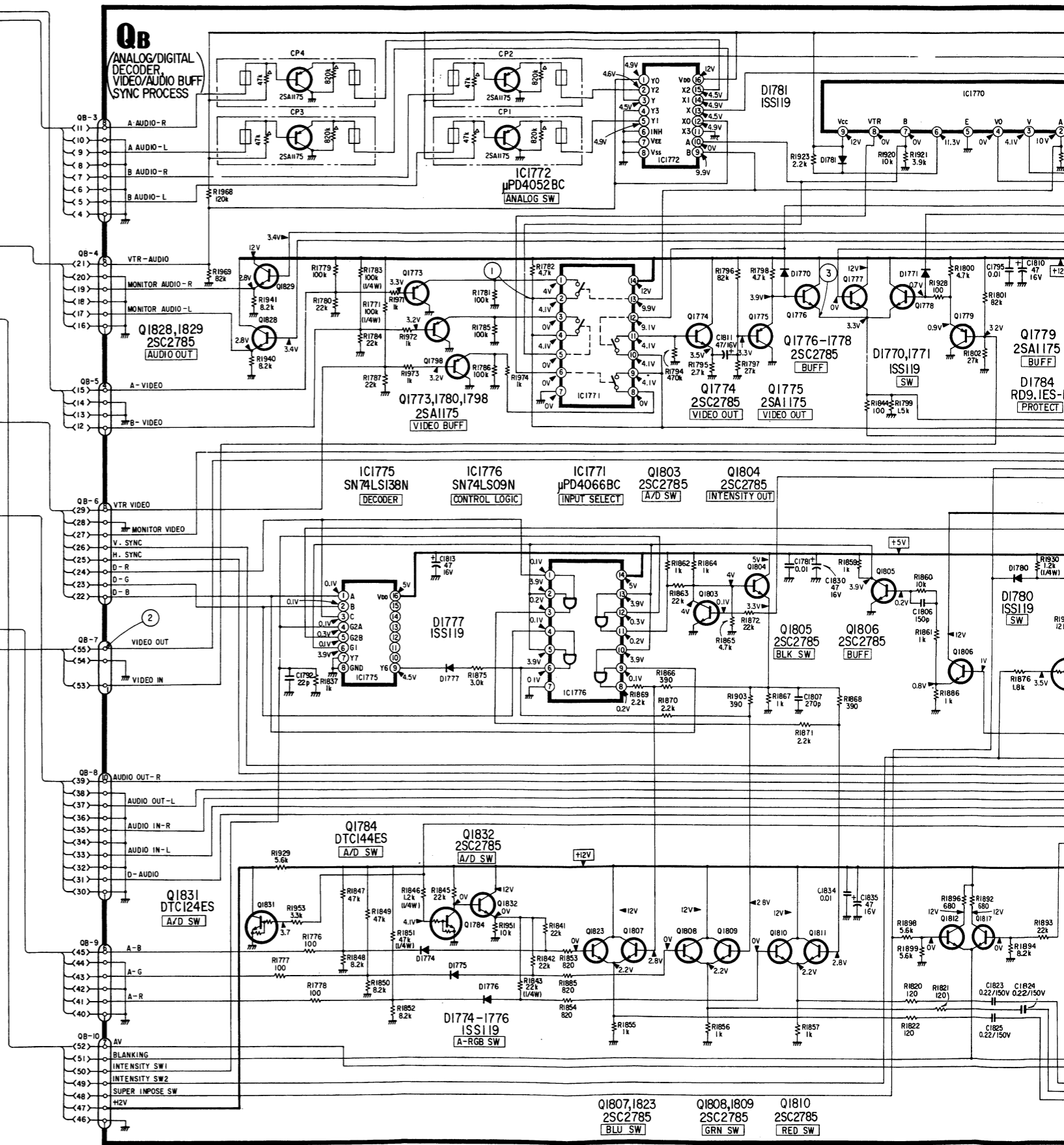
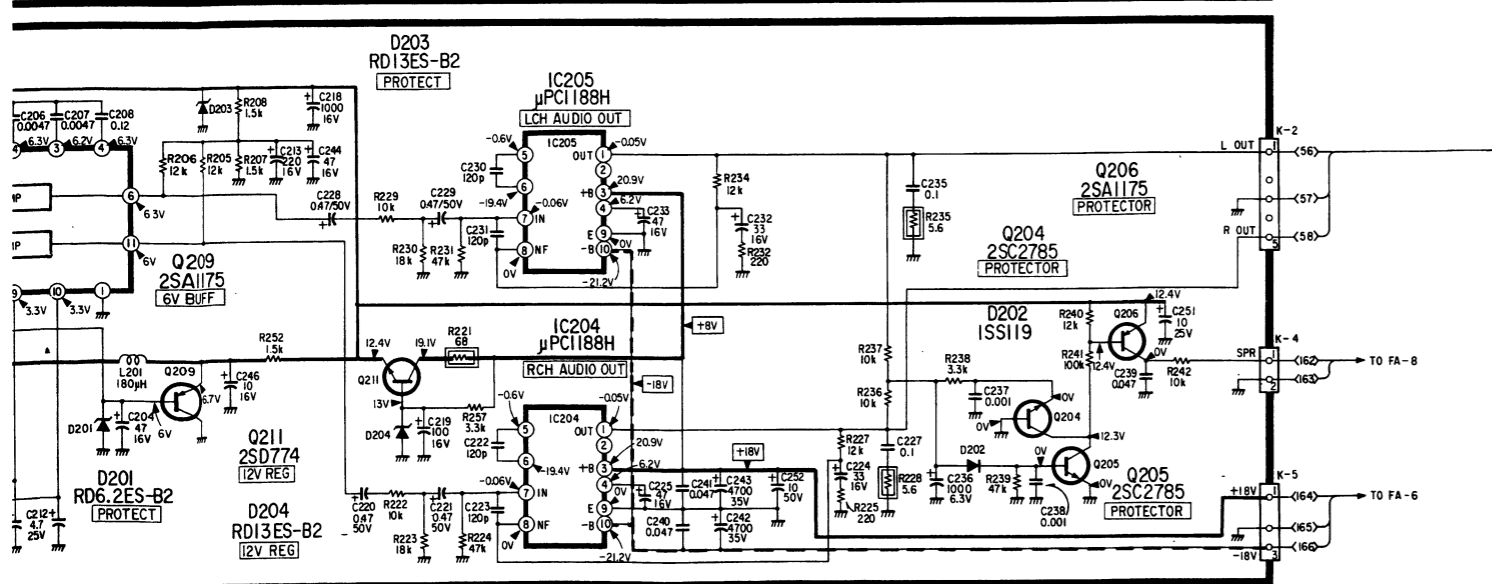
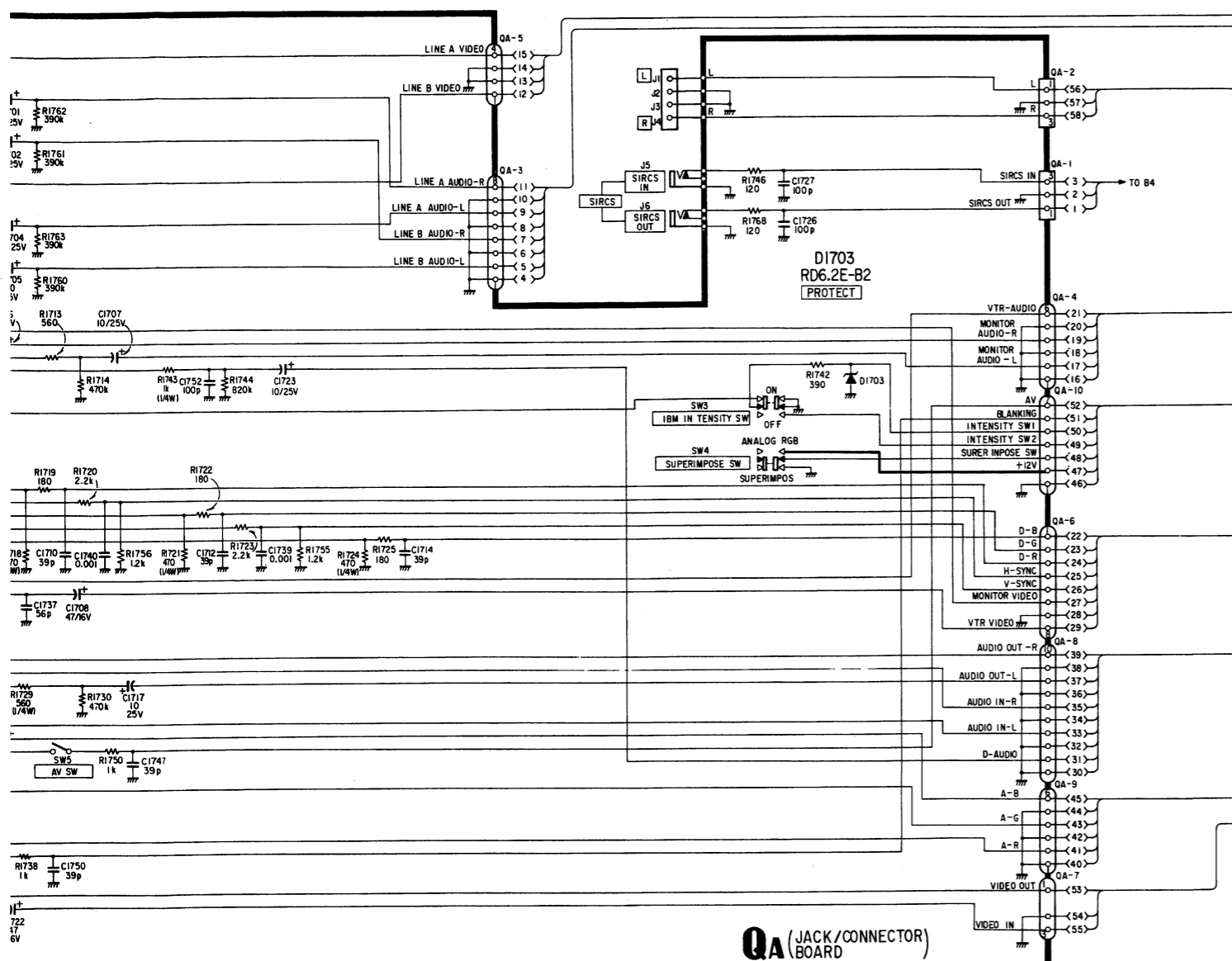
- All resistors are in ohms, 1/6W unless otherwise noted.  
kΩ: 1000Ω, MΩ: 1000kΩ.
- All capacitors are in μF unless otherwise noted. pF : μμF.  
50WV or less are not indicated except for electrolytics.
- All variable and adjustable resistors have characteristic curve B, unless otherwise noted.
- : nonflammable resistor.
- : fusible resistor.
- : panel designation.
- : internal component.
- Voltages are dc with respect to ground unless otherwise noted.
- Readings are taken with a color-bar signal input.
- Readings are taken with a digital multimeter (DC10MΩ).
- Voltage variations may be noted due to normal production tolerances.
- : adjustment for repair.
- Circled numbers refer to waveforms.
- no mark : with PAL color-bar signal input.  
( ) : with SECAM color-bar signal input.  
( ( ) ) : with NTSC 3.58MHz color-bar signal input.  
[ ] : with NTSC 4.43MHz color-bar signal input.
- \* : Selected to yield optimum performance.





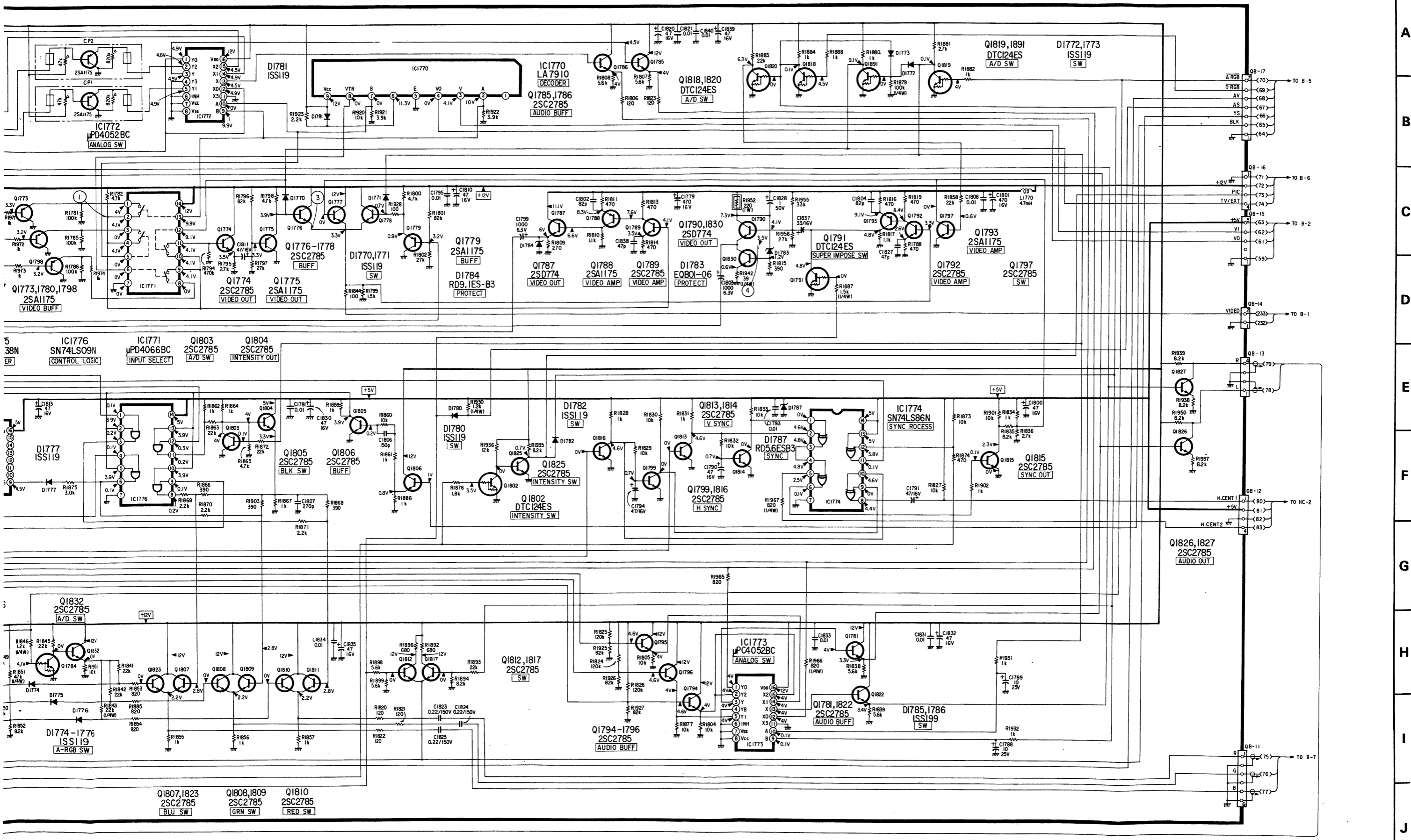
PVM-2730QM RM-668 PVM-2730QM RM-668

5 6 7 8 9 10 11 12 13 14 15 16 17 18 19 20 21



PVM-2730QM RM-668 PVM-2730QM RM-668

16 17 18 19 20 21 22 23 24 25 26 27 28 29 30 31





PVM-2730QM  
RM-668

PVM-2730QM  
RM-668

(ANALOG/DIGITAL RECORDER  
VIDEO/AUDIO BUFFER,  
SYNC PROCESS)

QB

(JACK/CONNECTOR)

QA

QB

QA

K

(AUDIO OUT CONTROL)

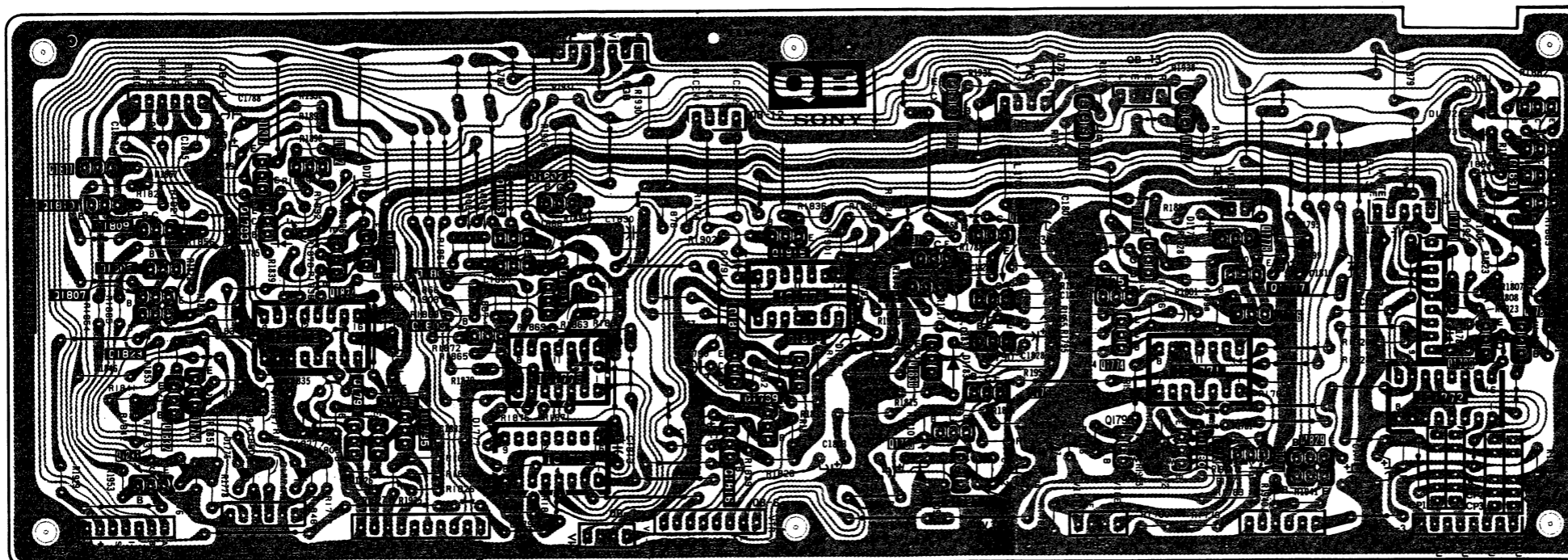
- Conductor Side -

1 2 3 4 5 6 7 8 9 10 11 12 13 14 15 1

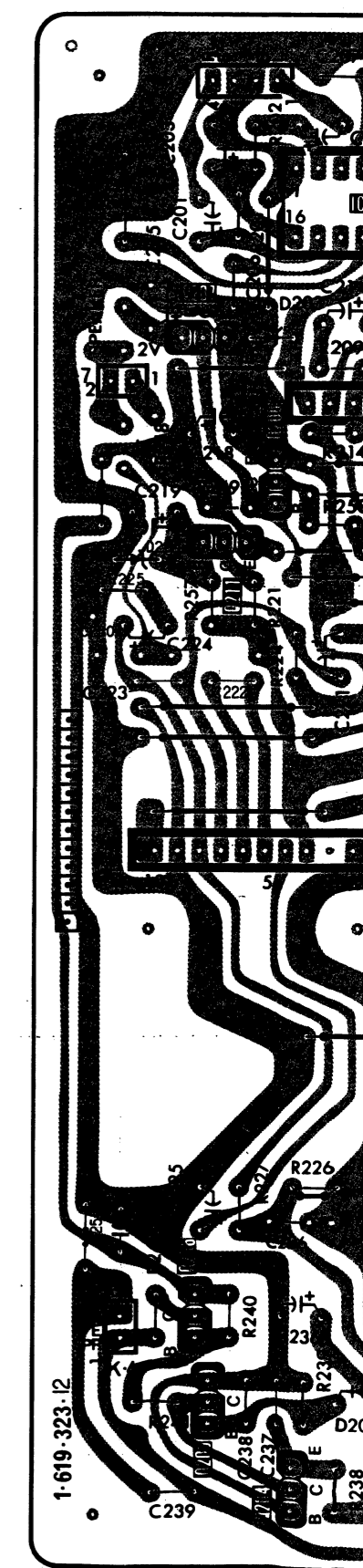
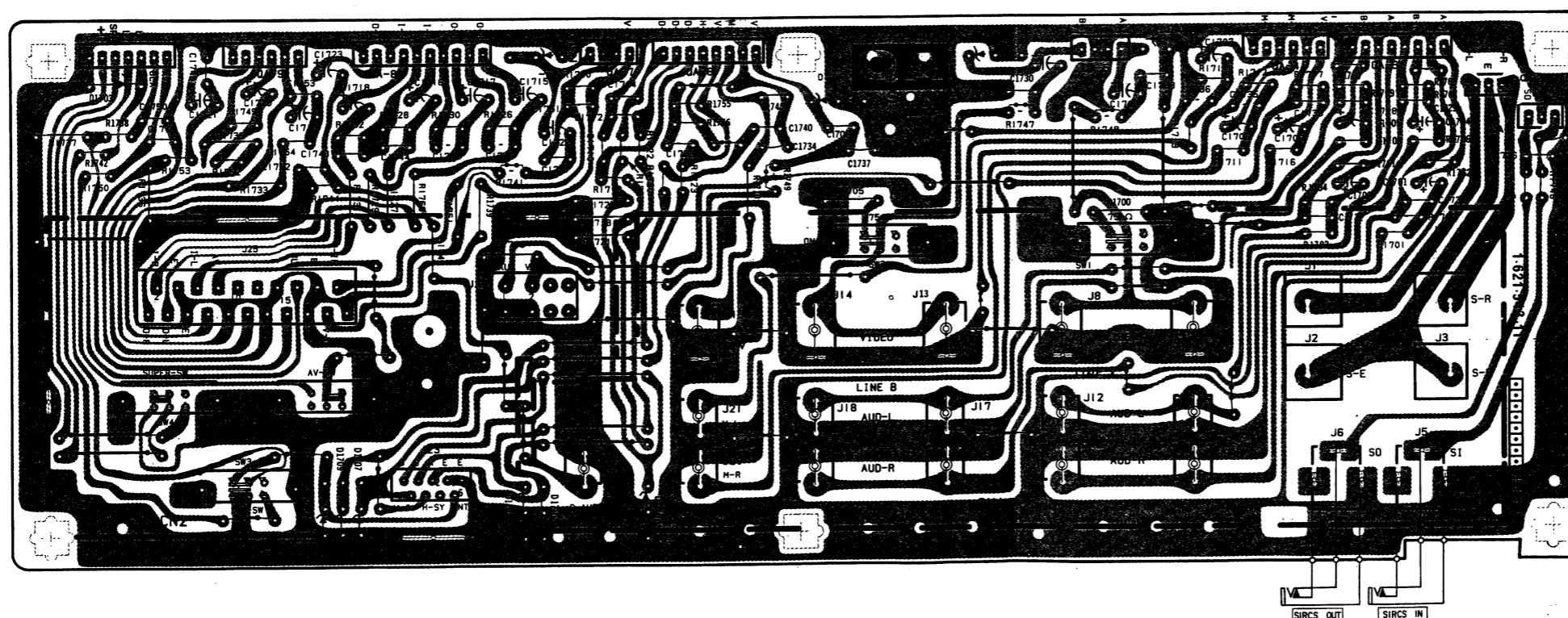
- K Board -

IC	1811	1817	1812	1806	1802	1815	1825	1792	1826	1827	1778	1777	1819
Q	1810	1809	1808	1805	1804	1814	1797	1793	1775	1779	1776	1770	1818
D	1831	1807	1823	1803	1804	1816	1791	1790	1774	1773	1829	1772	1818
	1832	1784	1794	1803	1776	1799	1788	1789	1798	1773	1828	1785	1819
			1796	1795	1777	1799	1787	1782	1798	1771	1770	1775	1820
			1711	1709	1707	1777, 1708, 1710	1706	1784	1783			1781	

- QB Board -



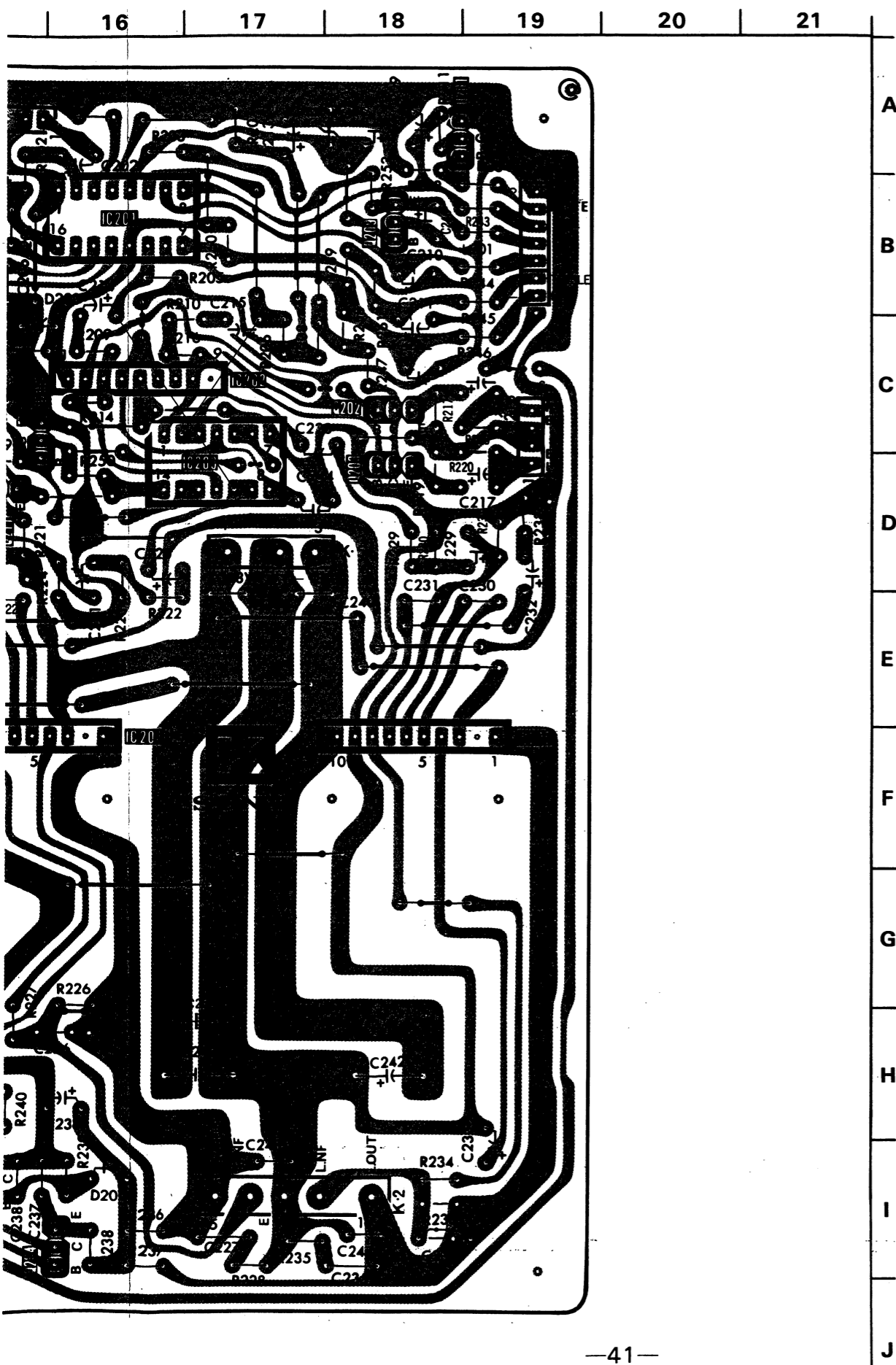
- QA Board -



PVM-2730QM  
RM-668

PVM-2730QM  
RM-668

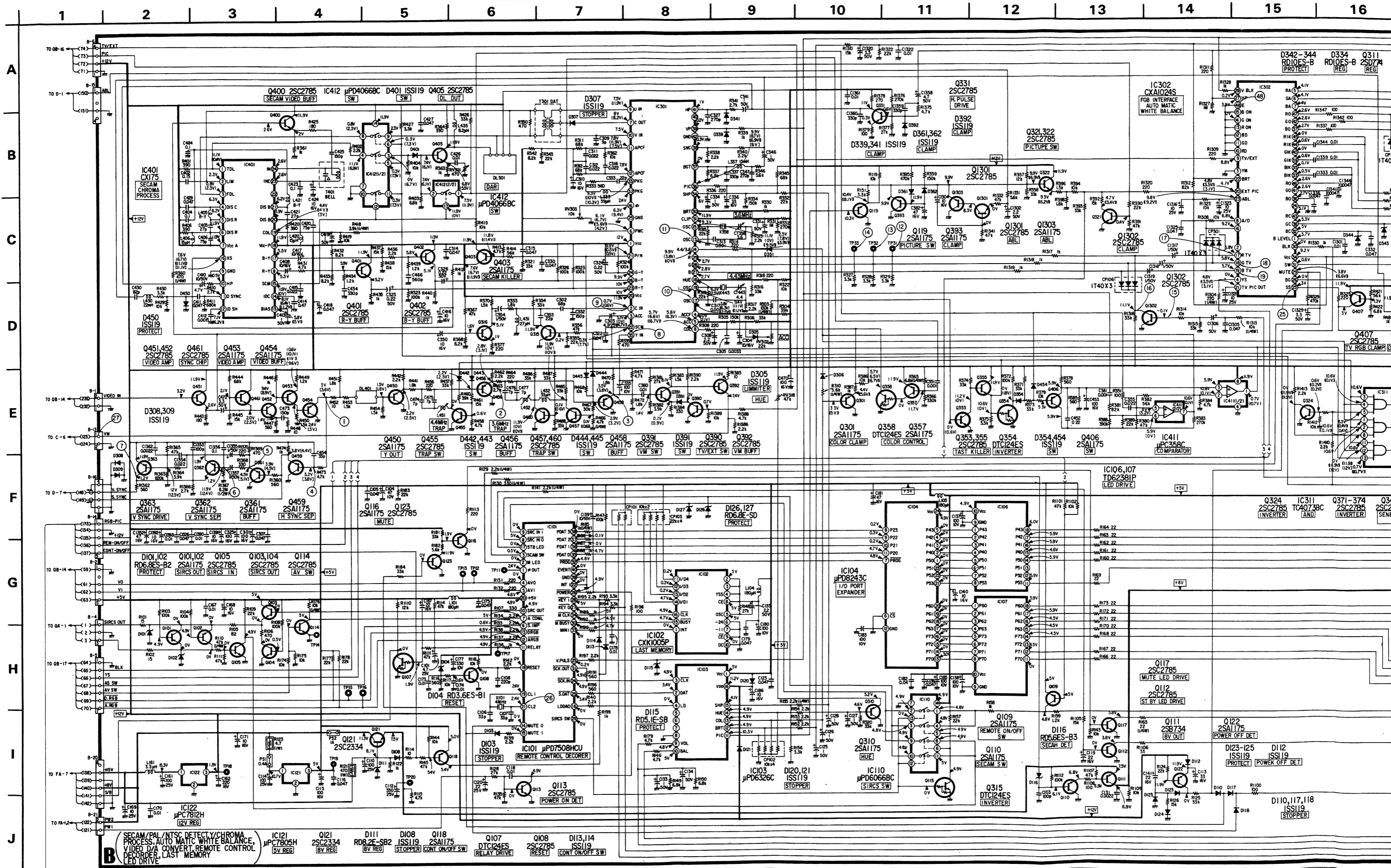
K





PVM-2730QM RM-668

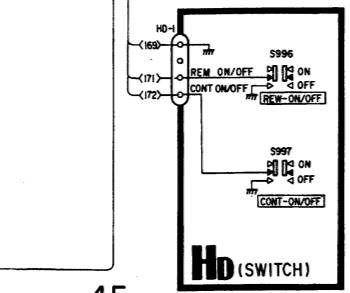
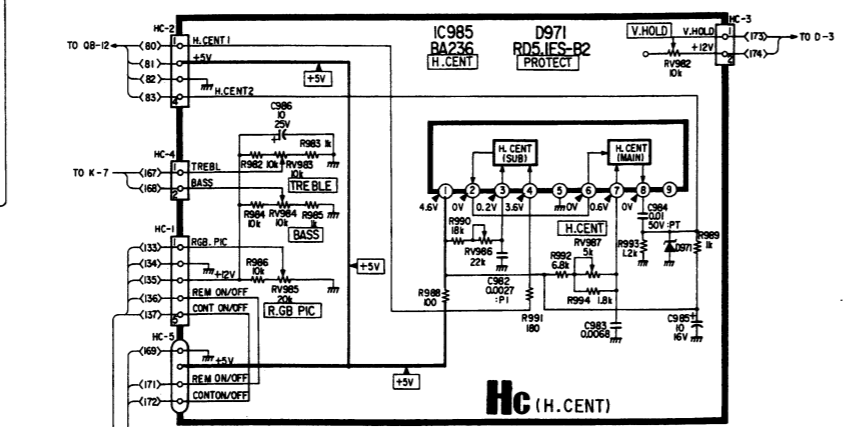
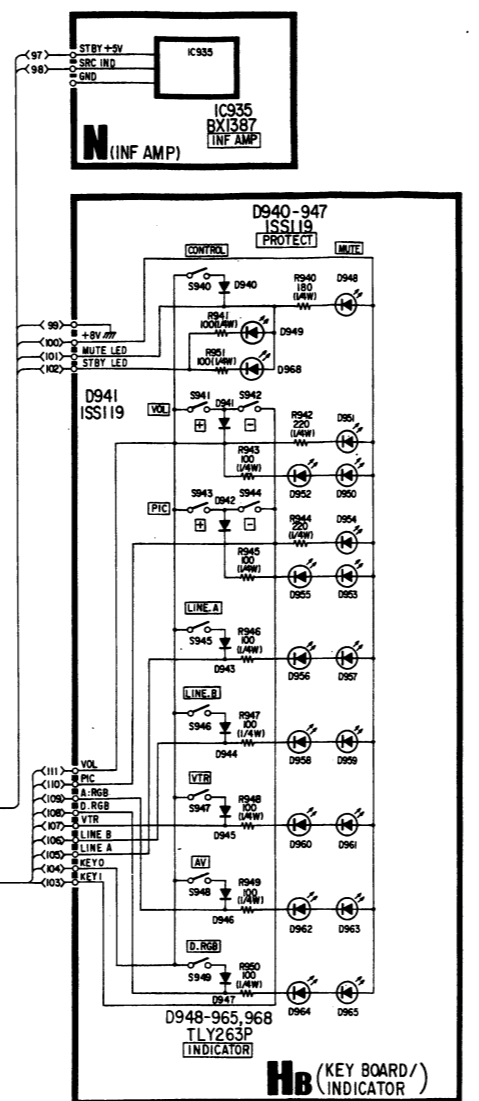
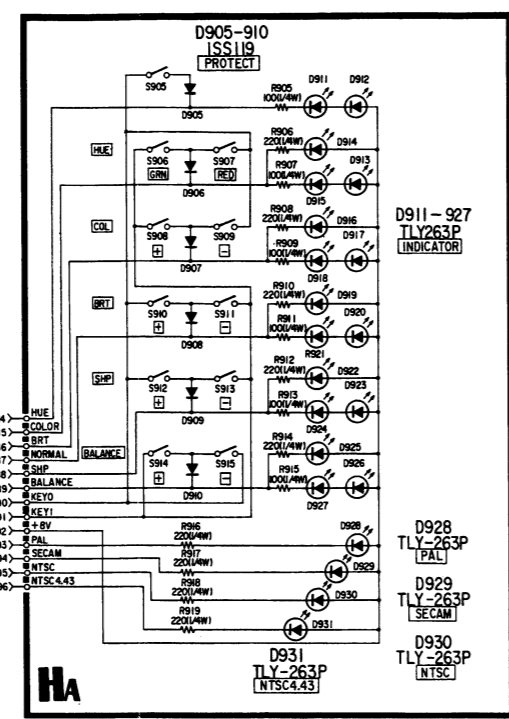
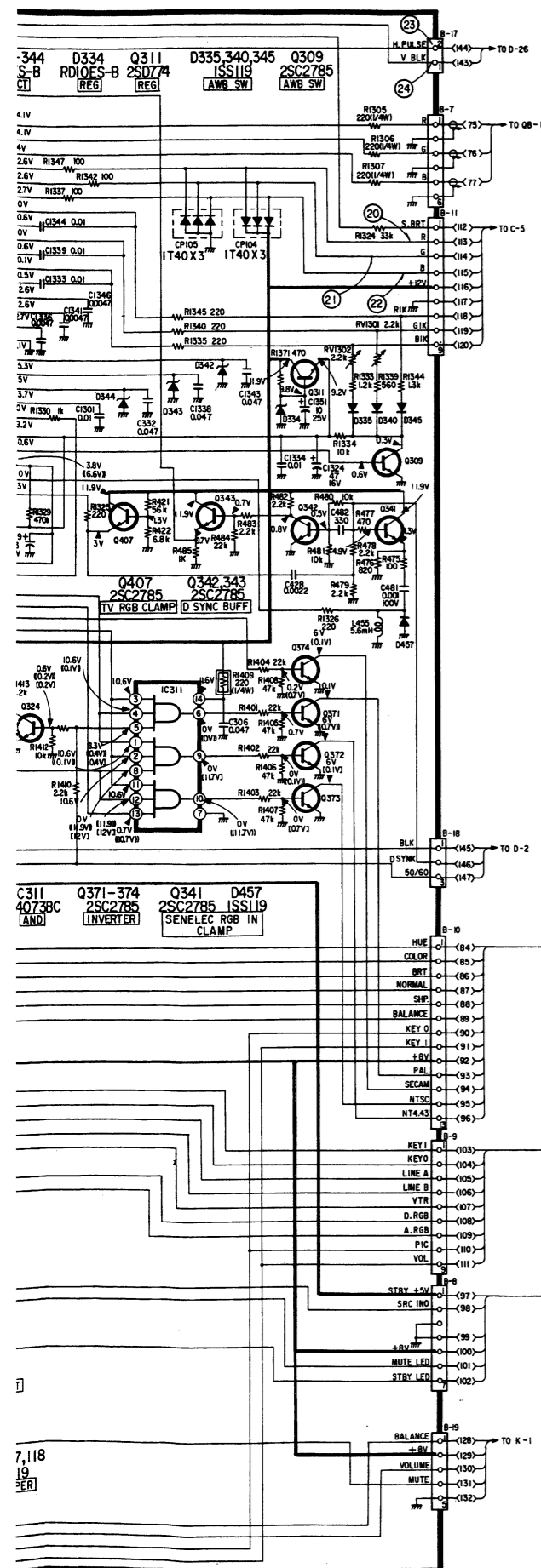
PVM-2730QM RM-668





PVM-2730QM RM-668 PVM-2730QM RM-668

16 17 18 19 20 21 22 23 24



A B C D E F G H I J

Table of test waveforms for various signal conditions. The table has 6 columns and 6 rows. Each cell contains a waveform diagram and its corresponding amplitude and signal type. For example, the top-left cell shows a 2.7Vp-p (H) signal. The bottom-right cell shows a 3.9Vp-p (H) signal.



PVM-2730QM  
RM-668

PVM-2730QM  
RM-668

(SECAM/PAL/NTSC DETECT, Y/CHROMA PROCESS,  
AUTOMATIC WHITE BALANCE, VIDEO D/A CONVERT,  
REMOTE CONTROL DECODER, LAST MEMORY, LED DRIVE)

B

B

— Conductor Side —

1

2

3

4

5

6

7

8

9

10

11

12

13

14

15

16

— B Board —

A

B

C

D

E

F

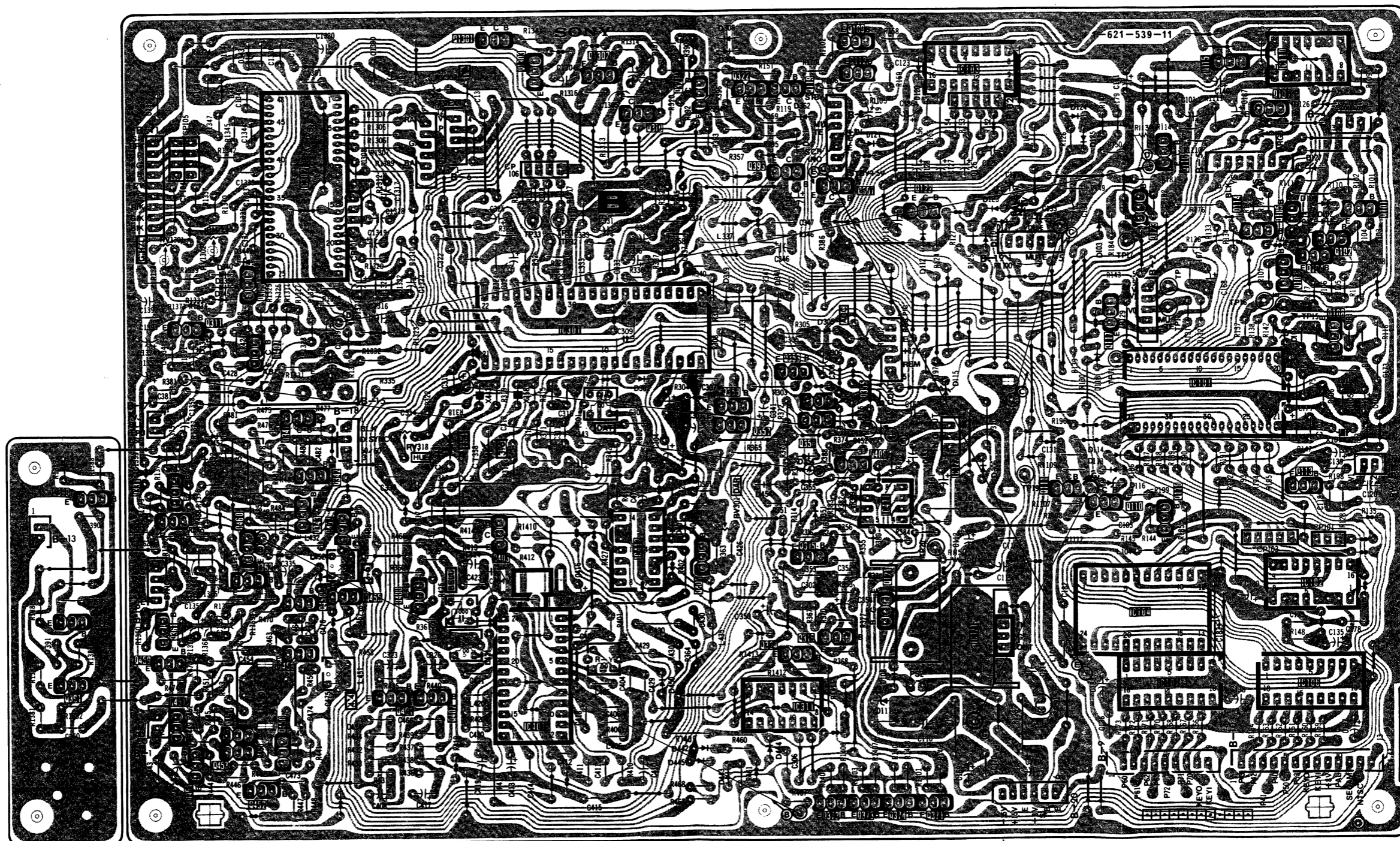
G

H

I

J

IC				IC302		I301	I303	I302	310	321	322	119	301	109	122	IC103		123	116	115	107	IC110	101	108								
Q	390	311	309	407		403		IC301	IC412	405	358	393	353	355	406	IC411	IC122	IC121	111	117	110	IC104	118	IC101	114	105,104,102	113	103	IC102	IC106		
D	392	331	460	341	342	457	400				357	324,315	372	373	374	371																
	391	363	454	362	458	455	401	402				308	341	354	305	121	120	123			124						104	126				
		361,459	451,461	453	452	450						442	444	351	111	112	115	110	117		125	103	118,114,113	116			104	127	101	102		
ADJ		RV1301	RV1302				RV318	RV303	CT443	CT358		RV301			RV302																	
TP									33	32	31					18	20		19		11	17					13	12		16	15	14











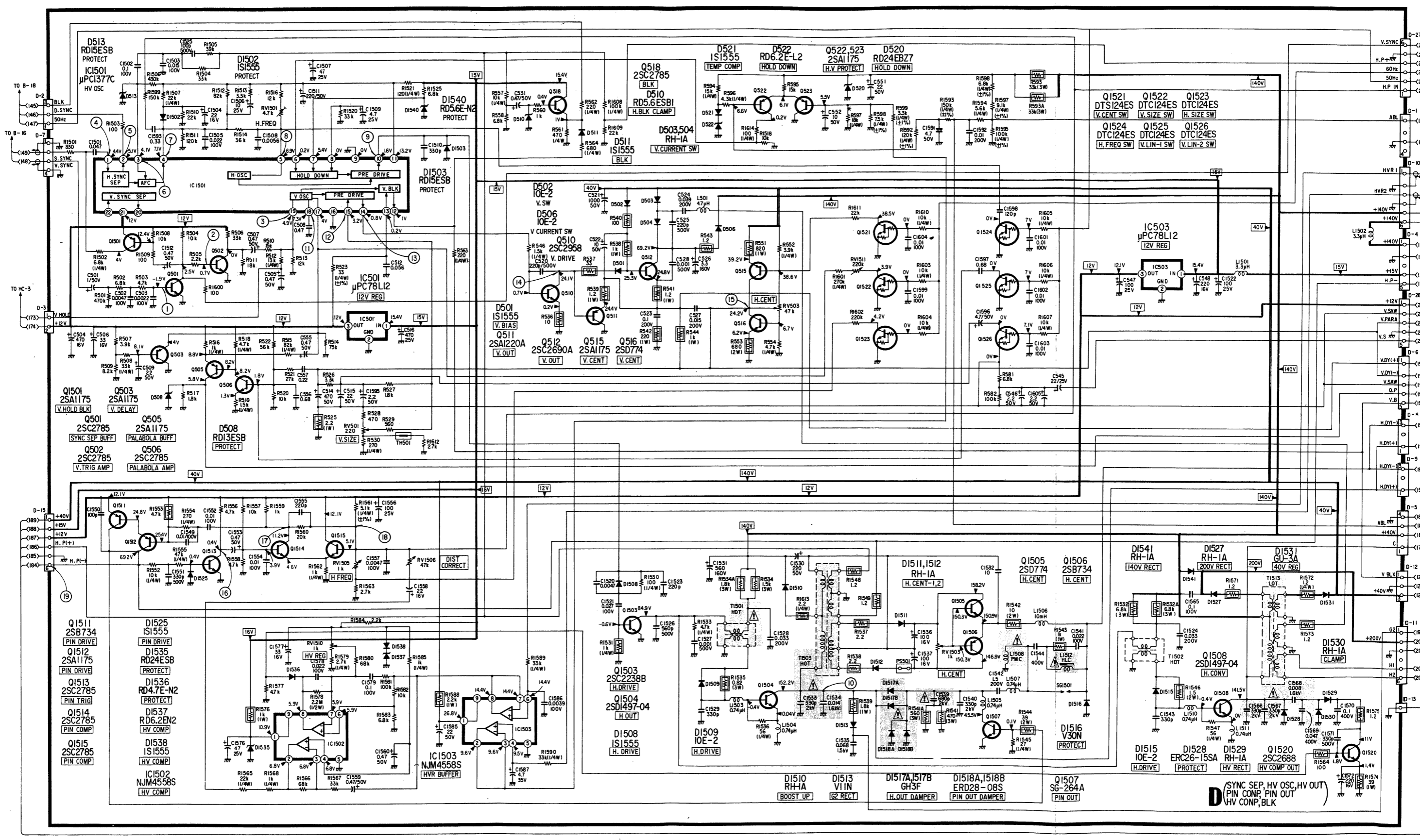
PVM-2730QM  
RM-668

PVM-2730QM  
RM-668

PVM-2730QM  
RM-668

1 2 3 4 5 6 7 8 9 10 11 12 13 14 15 16

A  
B  
C  
D  
E  
F  
G  
H  
I  
J



Note: The components identified by shading and mark are critical for safety. Replace only with part number specified.

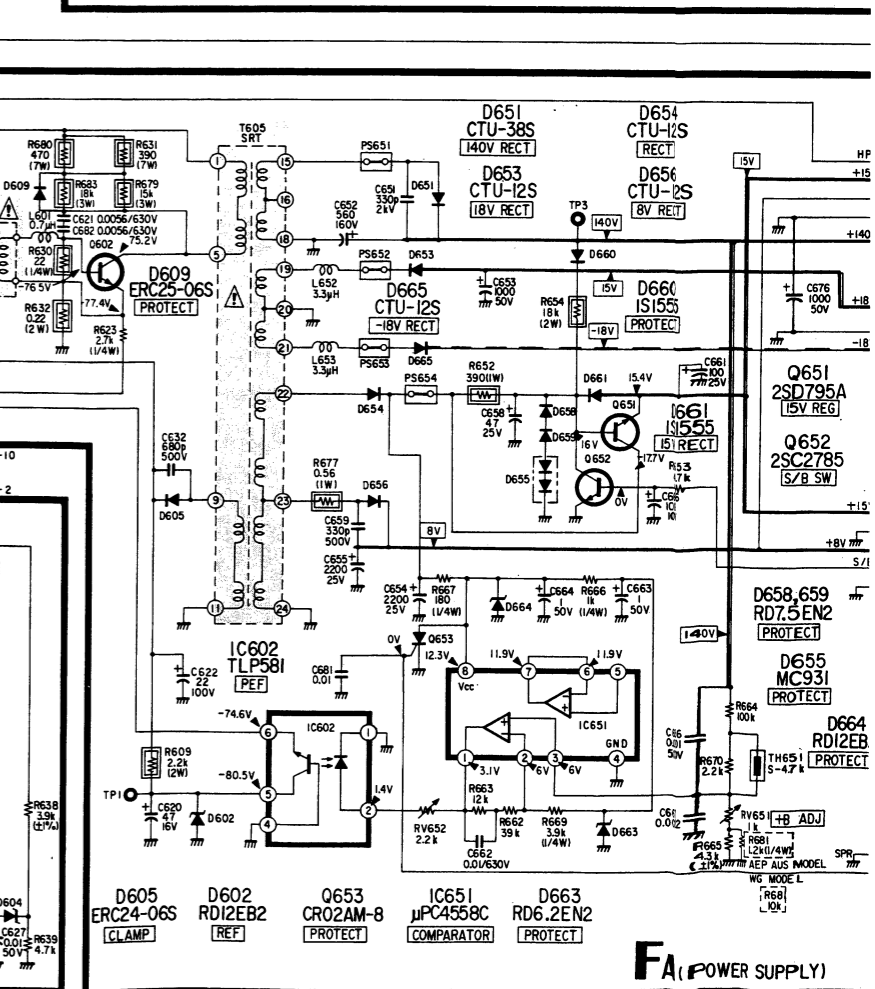
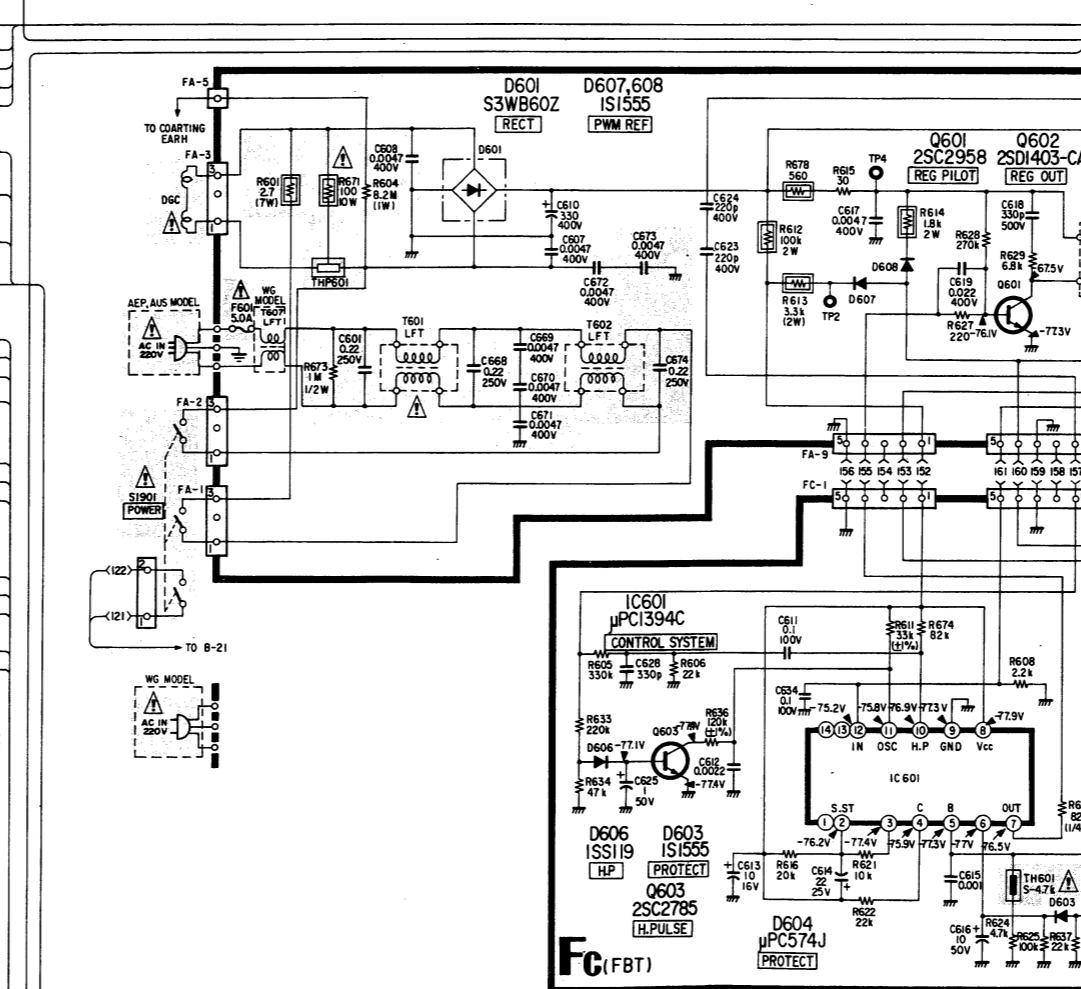
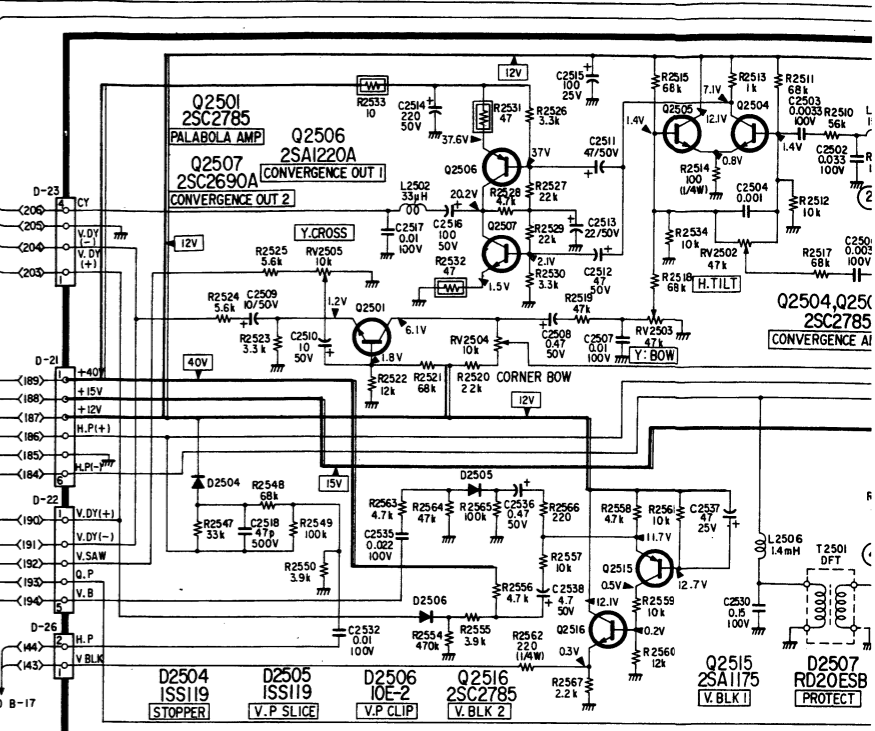
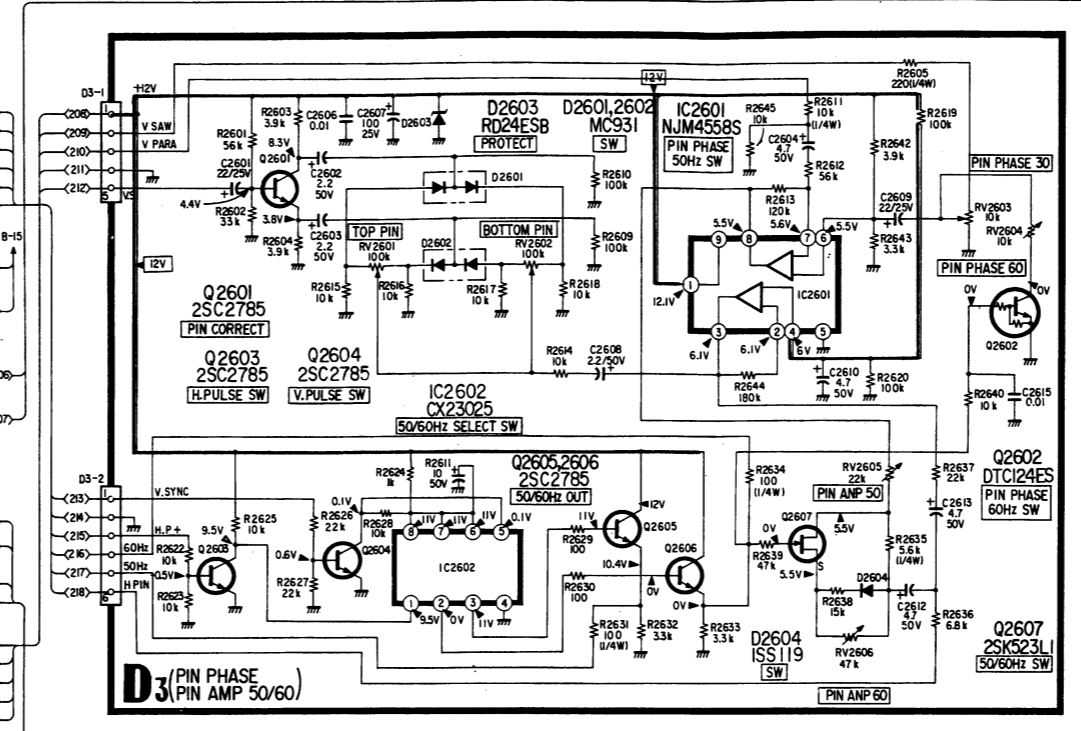
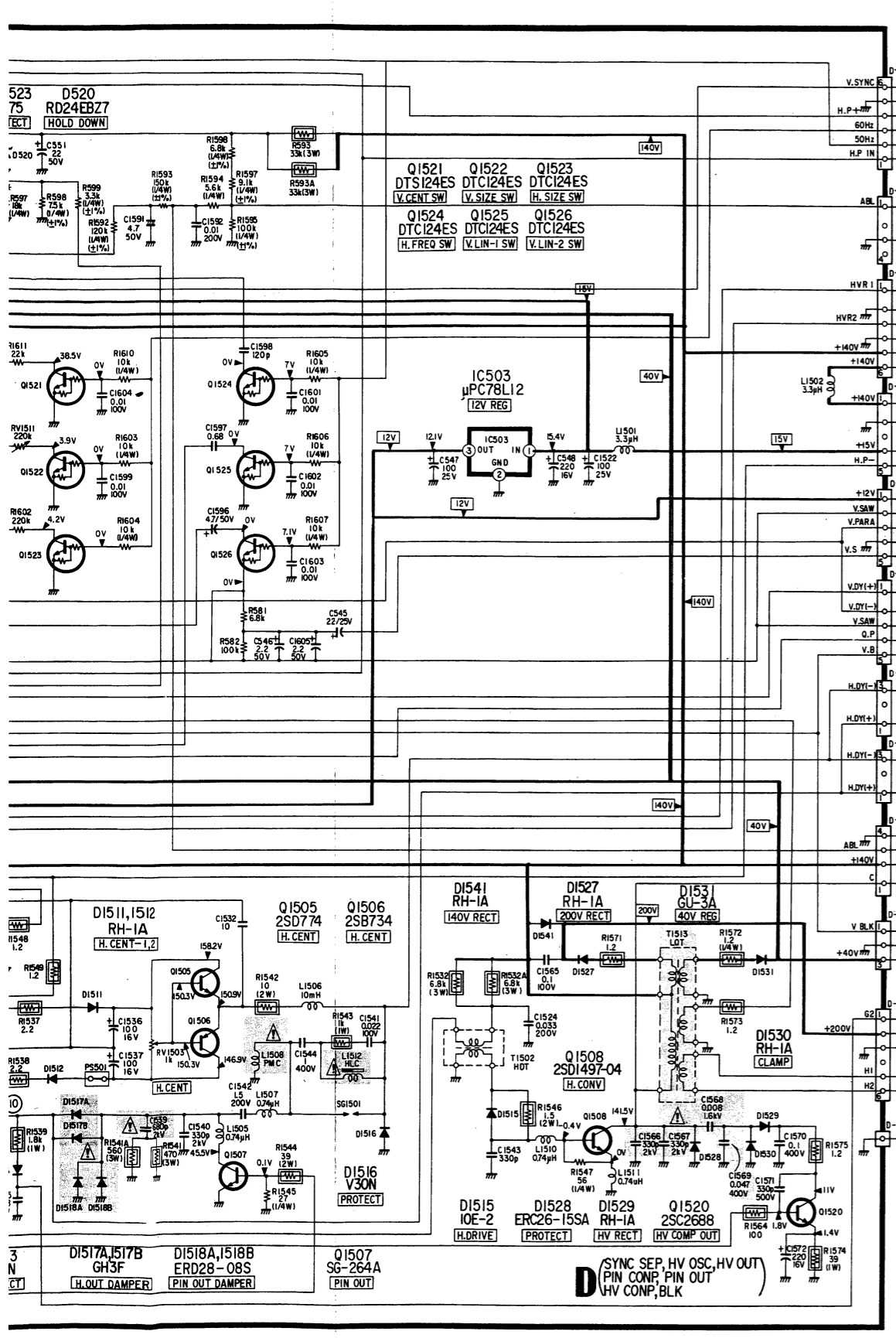


PVM-2730QM  
RM-668

PVM-2730QM  
RM-668

PVI  
RM-6

10 11 12 13 14 15 16 17 18 19 20 21 22 23 24 25 26

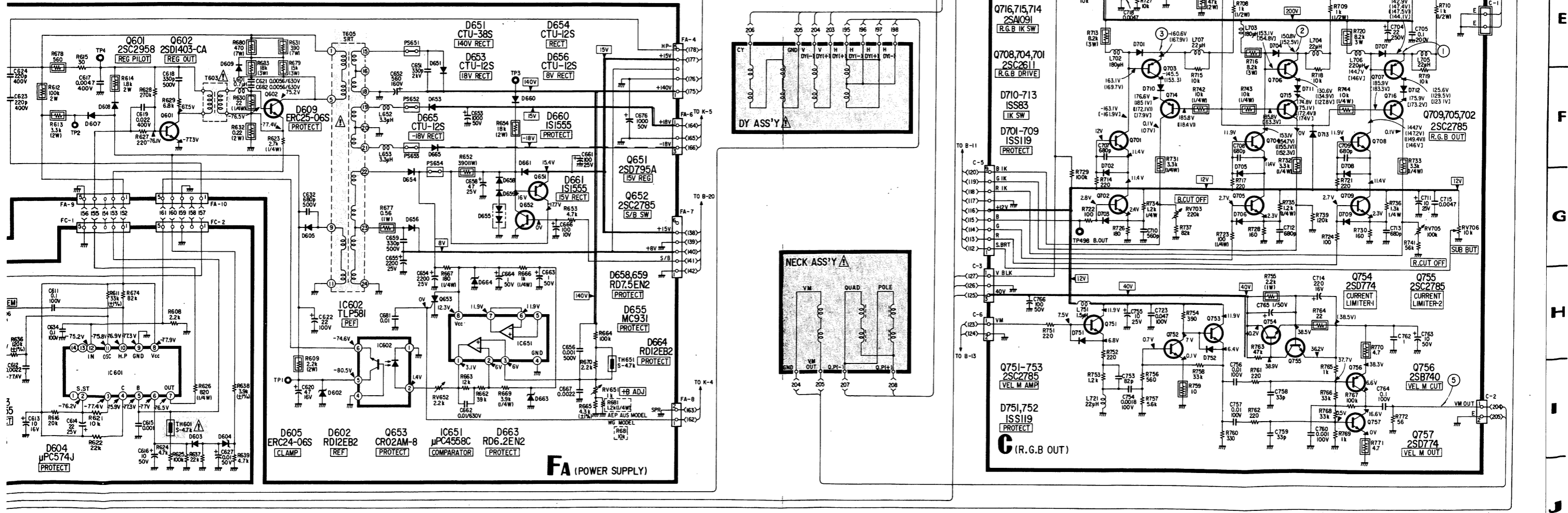
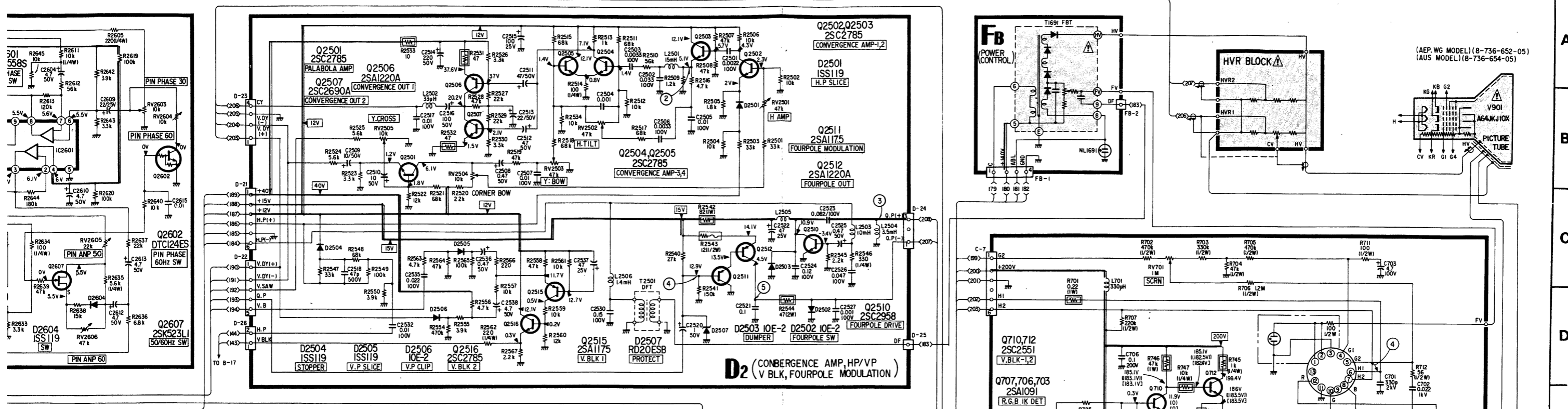


Note: The components identified by shading and mark are critical for safety. Replace only with part number specified.



**PVM-2730QM RM-668**      **PVM-2730QM RM-668**

20      21      22      23      24      25      26      27      28      29      30      31      32      33      34      35





**PVM-2730QM**      **PVM-2730QM**  
 RM-668                      RM-668

(SYNC SEP, H. VOSC, H.V. OUT,  
 PIN CONP, PIN OUT, H.V. CONP,  
 BLK)

**D**

**D**

**C**

(RGB OUT)

**FB**

(POWER CONTROL)

**C**

**FB**

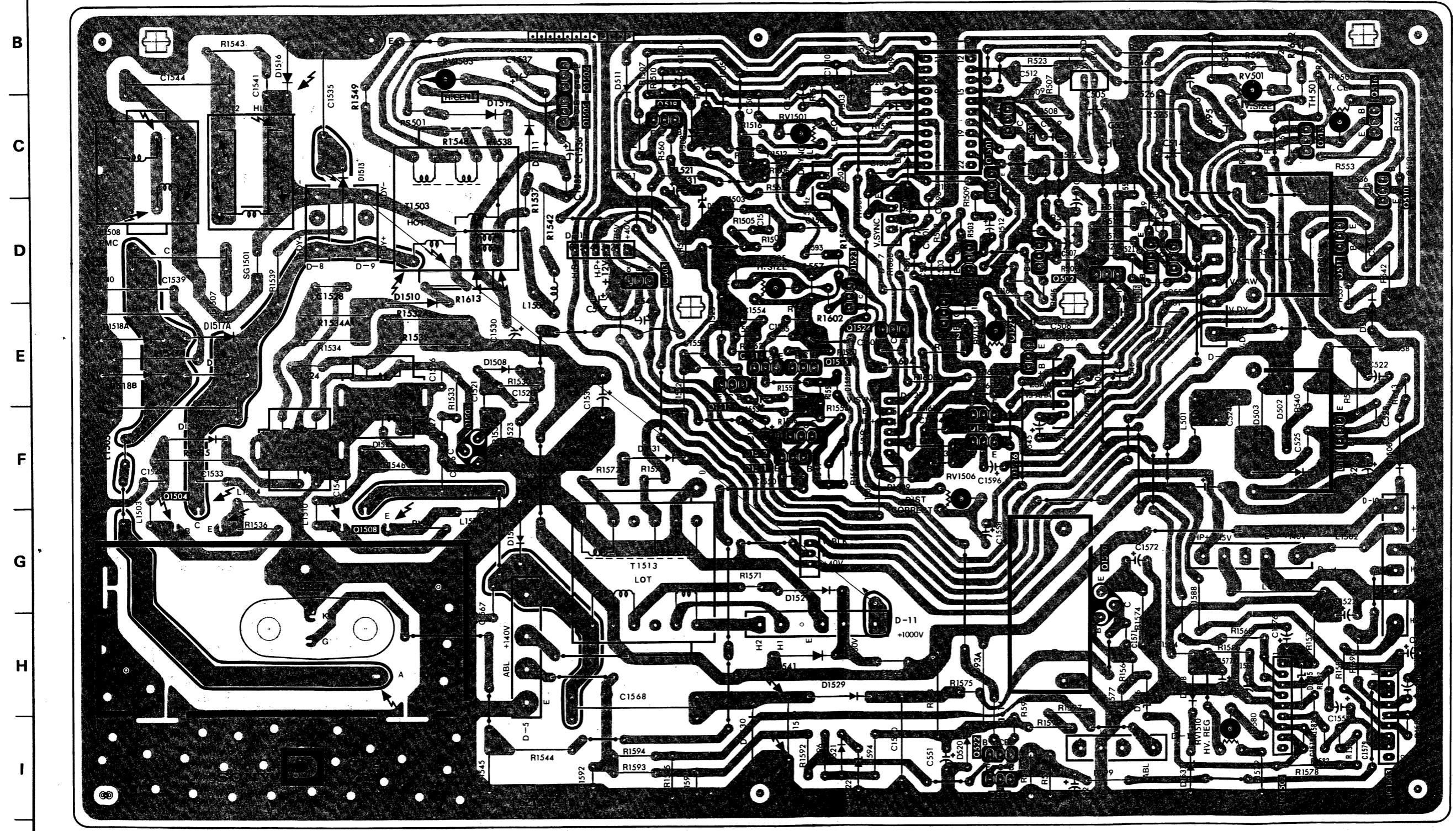
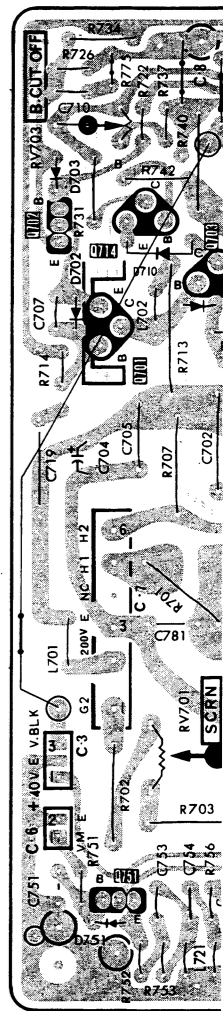
— Conductor Side —

1      2      3      4      5      6      7      8      9      10      11      12      13      14      15      16

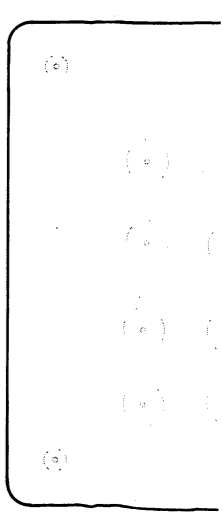
— D Board —

Q, IC		1504		1507	1508		1506	IC503	518		1513 1514	1515	1512	1523	1524	IC501	510	1501 503	502	IC501	506, 505	515	511	516	Q, IC
D	1518A 1518B	1509 1517B	1516	1513	1507	1510	1512	511	510	1525	1530	1527 1541	1503 1529	1540 1522	513	520	508	1536	1538	1537	503, 502	504, 1535	501	506	D
ADJ						RV1503						RV1505	RV1501			RV1506	RV1511				RV1510	RV1501	RV1503		ADJ

— C Board —



— FB Board —

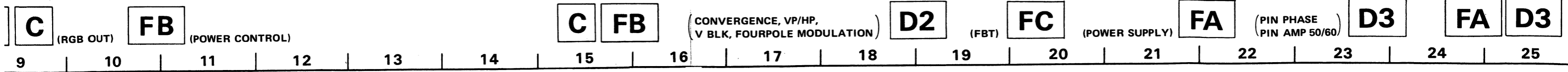




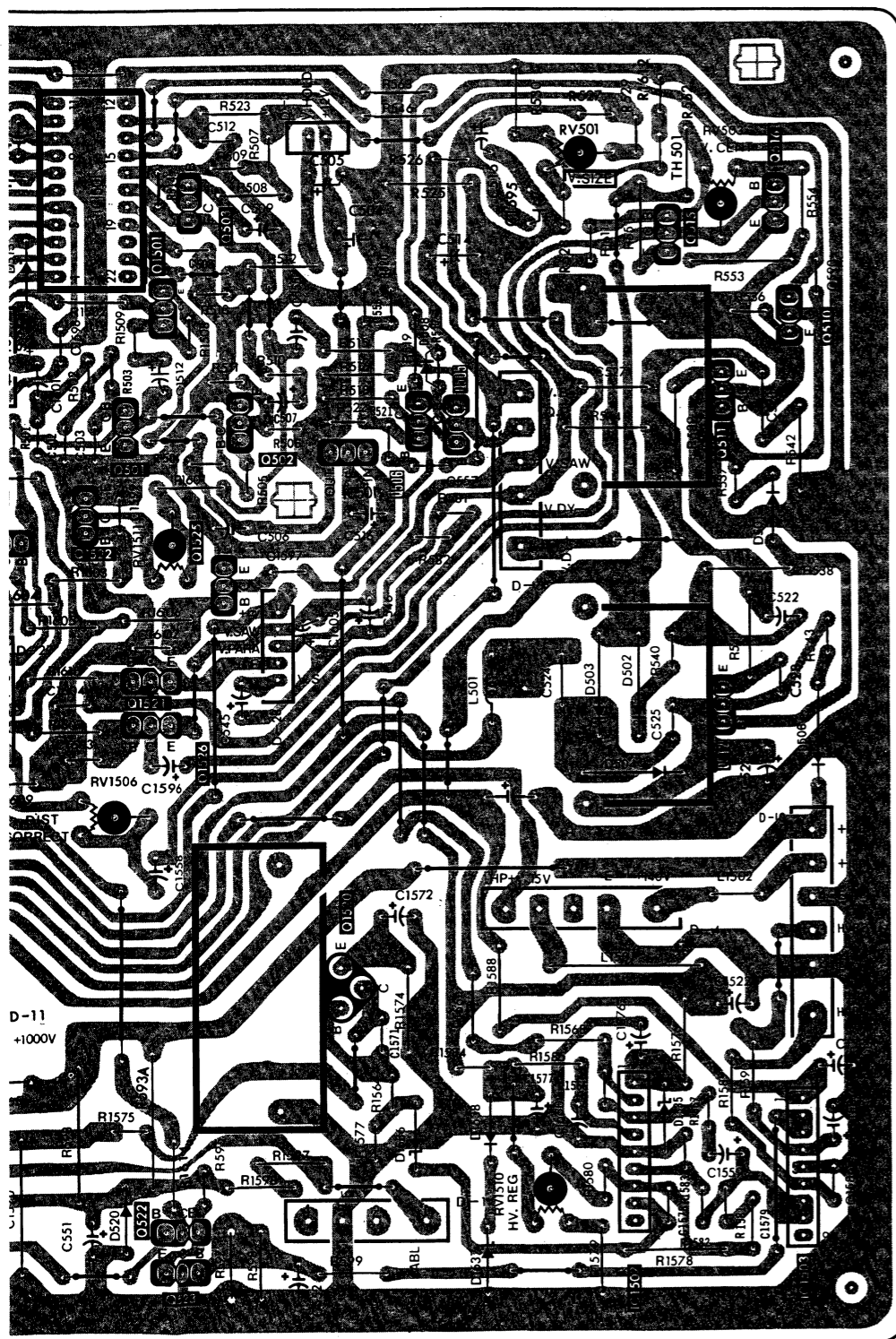
A-2730QM  
i8

PVM-2730QM  
RM-668

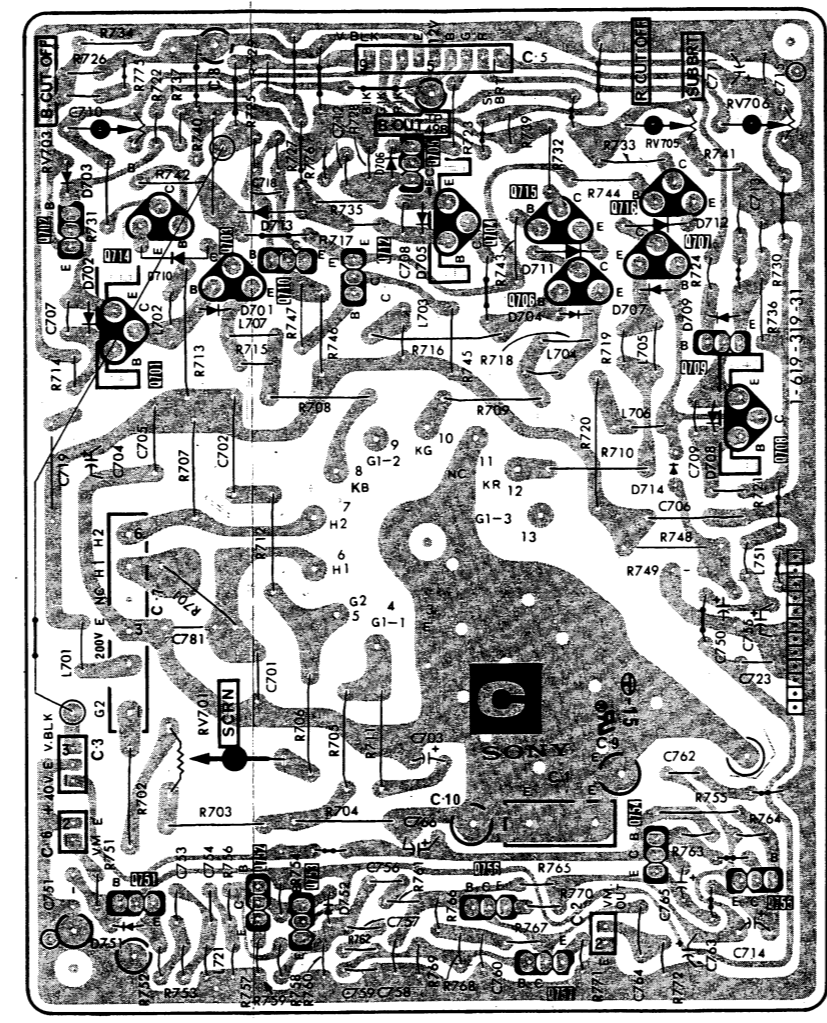
PVM-2730QM  
RM-668



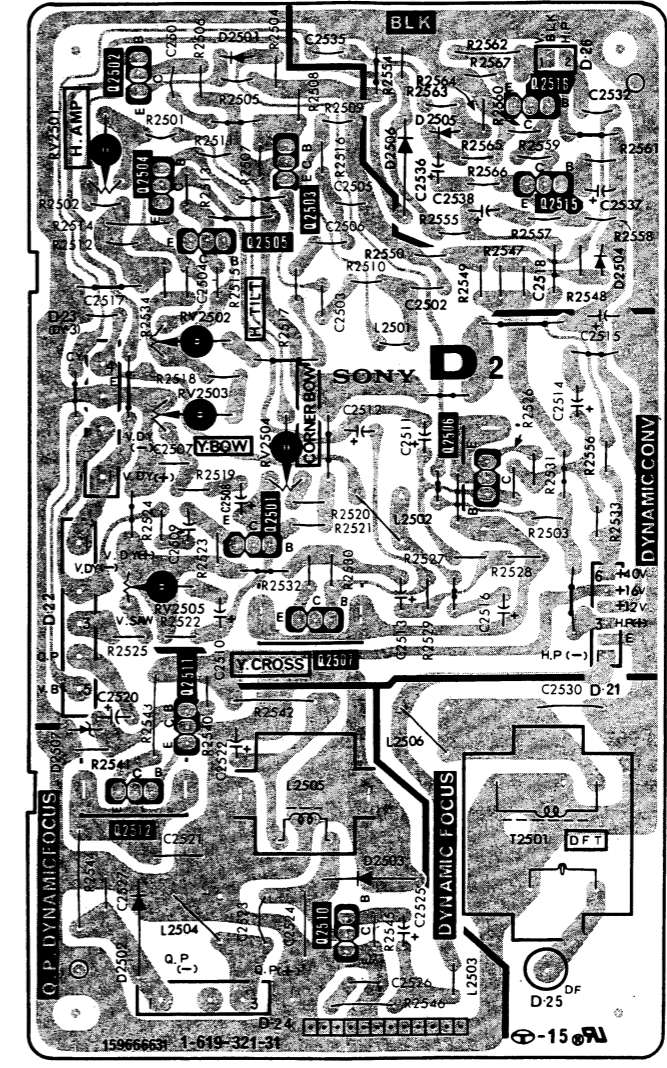
IC501 1522 510	1501 503 1521 522 502 1526 505 1525	IC501 506, 505 1520	515 511 516 512 510 IC1502 IC1503	Q, IC
513	520	508 1536 1538 1537	503, 502 504, 1535	D
RV1506	RV1511	RV1510	RV1501 RV1503	ADJ



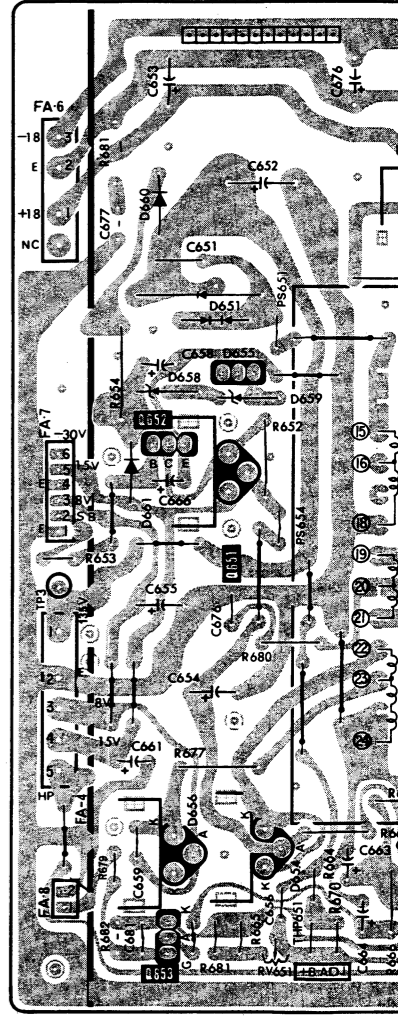
- C Board -



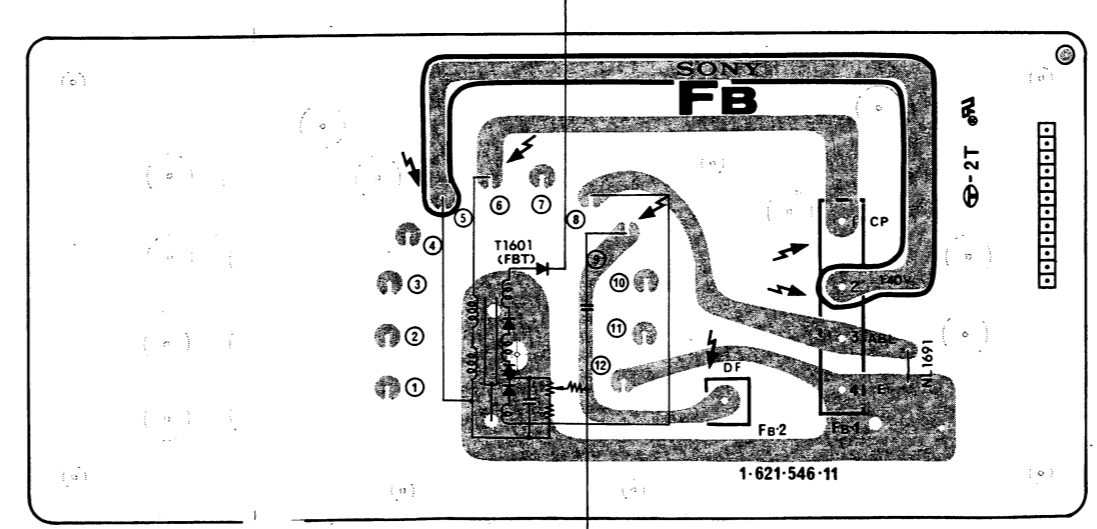
- D2 Board -



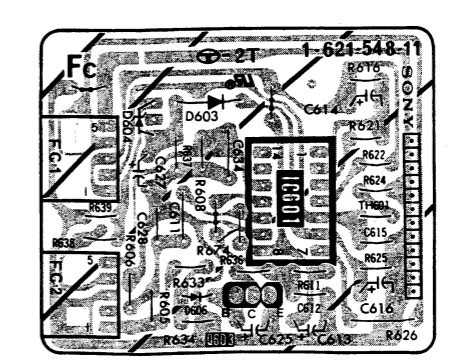
- FA Board -



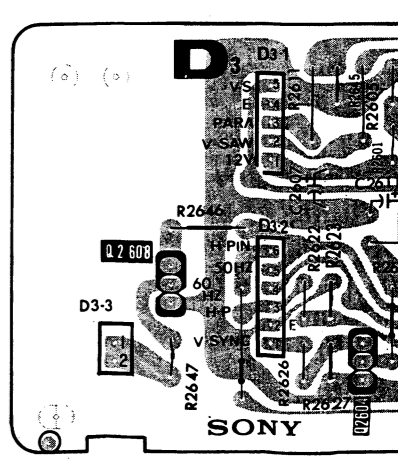
- FB Board -



- FC Board -



- D3 Board -





PVM-2730QM  
RM-668

PVM-2730QM  
RM-668

PVM-2730QM  
RM-668

FC

(POWER SUPPLY)

FA

(PIN PHASE  
PIN AMP 50/60)

D3

FA

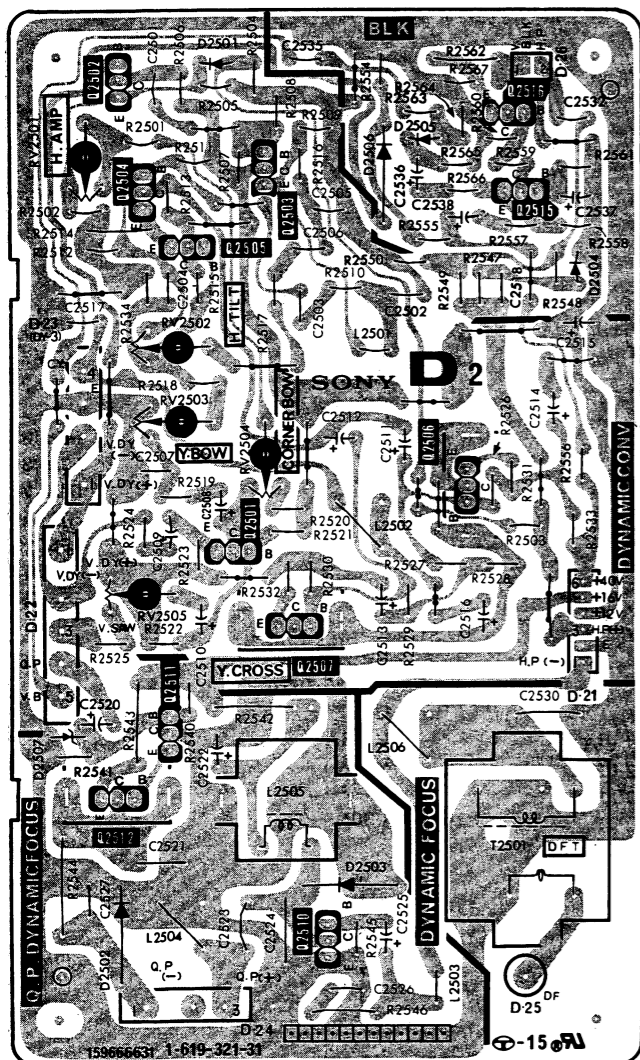
D3

FA

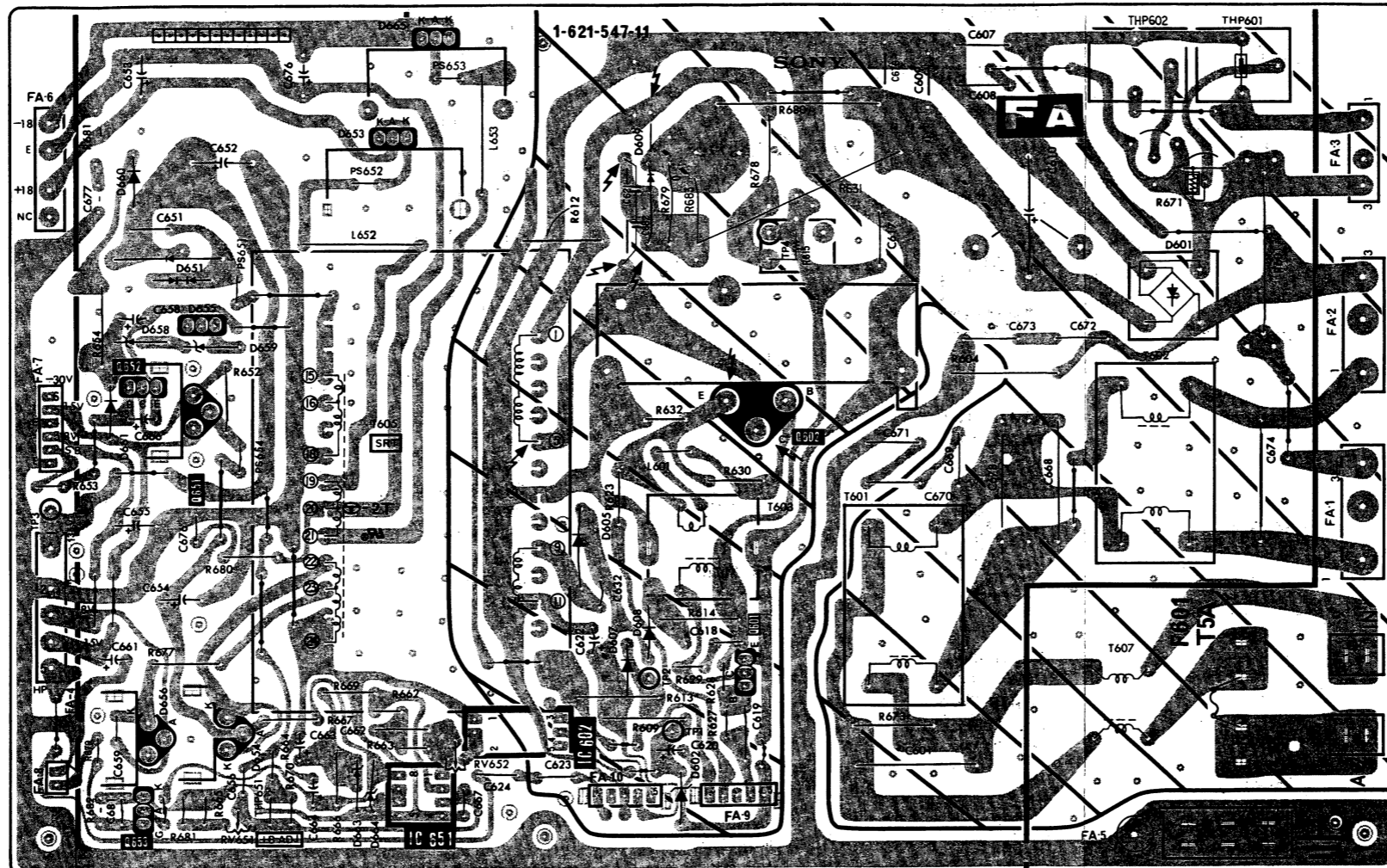
D3

20 21 22 23 24 25 26 27 28 29 30 31 32

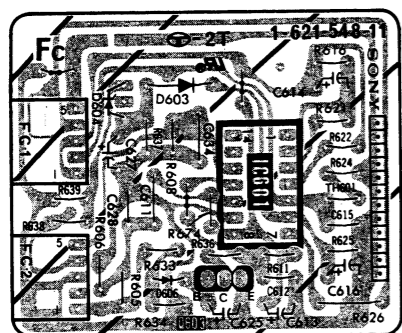
- D2 Board -



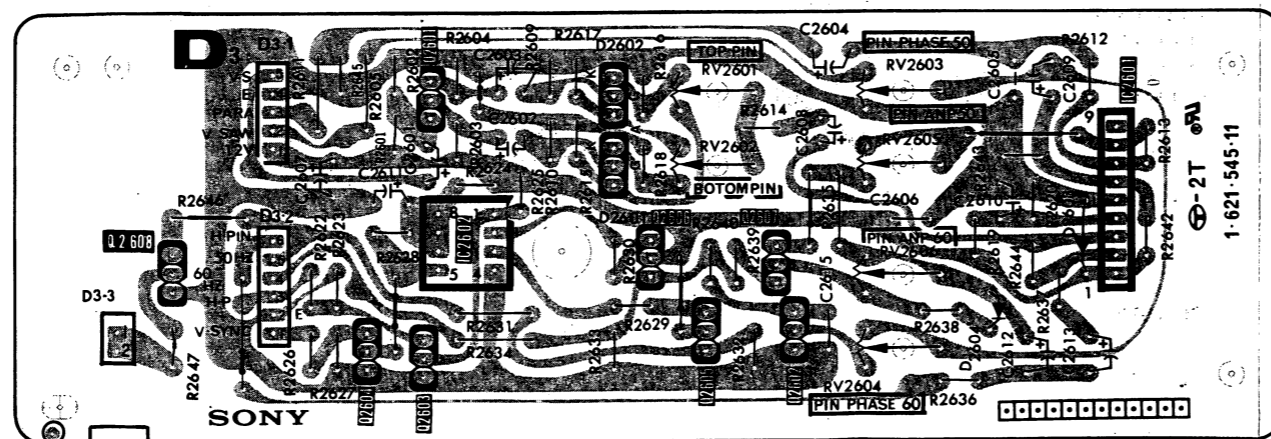
- FA Board -



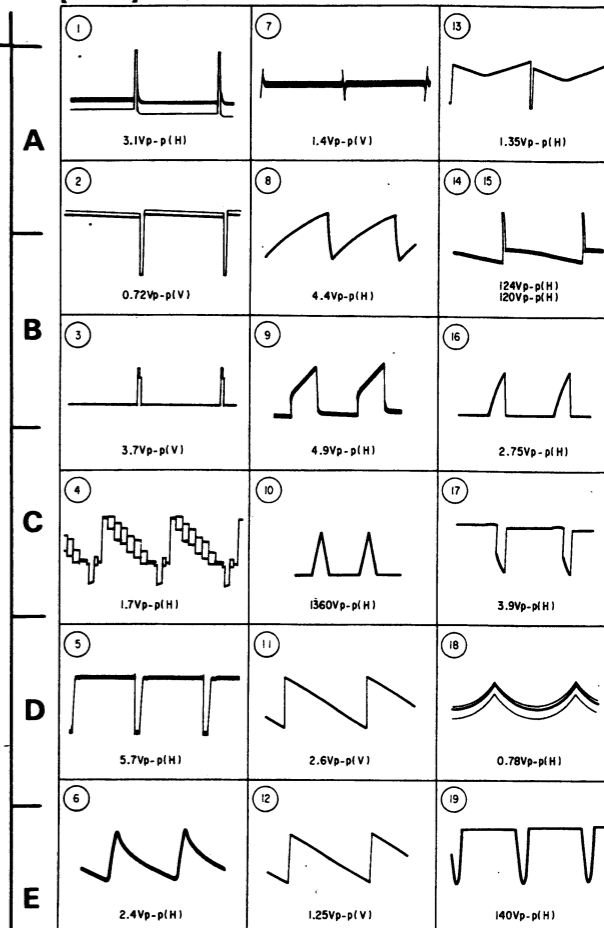
- FC Board -



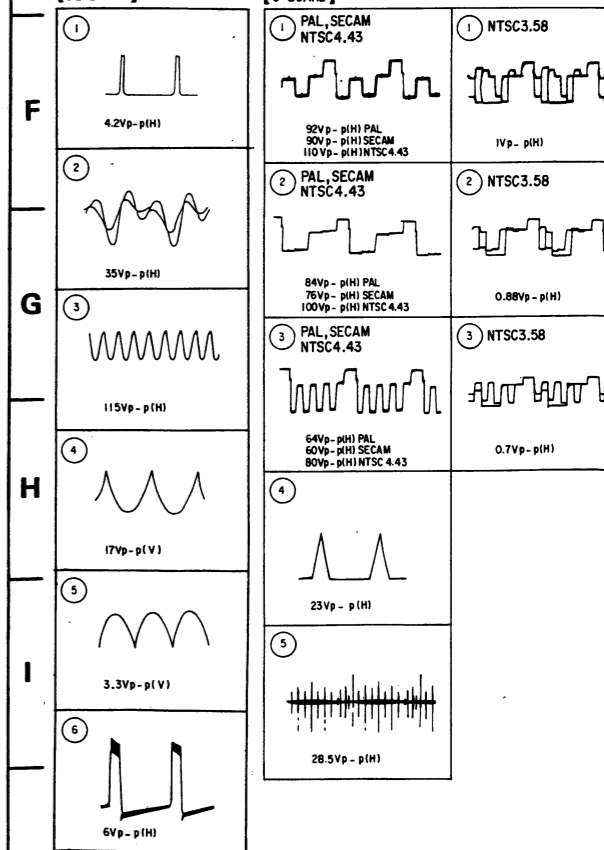
- D3 Board -



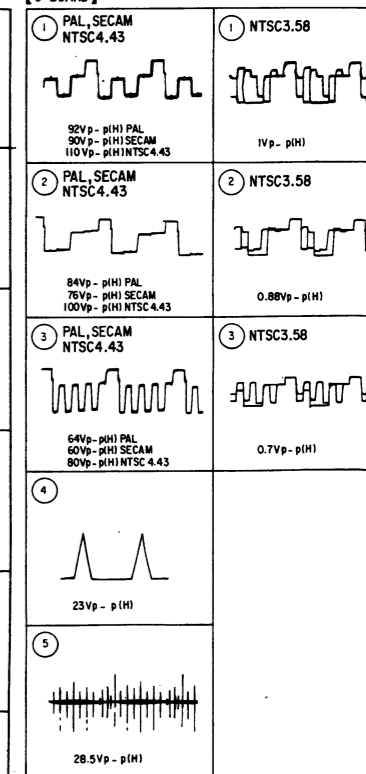
[ D BOARD ]



[ D2 BOARD ]



[ C BOARD ]





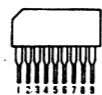
PVM-2730QM  
RM-668

PVM-2730QM  
RM-668

PVM-2730QM  
RM-668

5-5. SEMICONDUCTORS

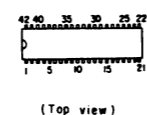
BA236  
LA7910



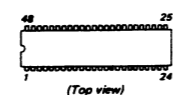
BX1387



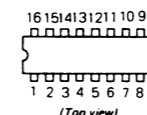
CXA1001AP



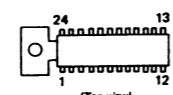
CSA1024S



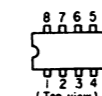
CXK1005P  
SN74LS138N  
TA7630P  
μPD4052BC  
μPD6326C



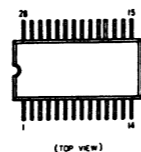
CX175



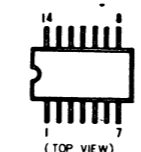
CX23025  
NJM4558D  
NJM4558S  
μPC358C  
μPC4558C



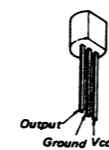
CX7947



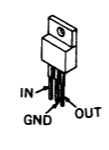
MC14073BCP



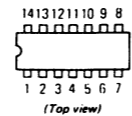
NJM78L12A  
TA78L012AP



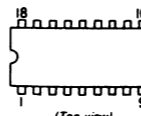
NJM7805A  
NJM7812A  
NJM7812B  
μPC7805H  
μPC7812H



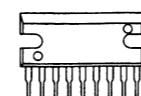
SN74LS09N  
SN74LS86N  
TC4073BP  
μPC1394C  
μPD4066BC  
μPD4073BC



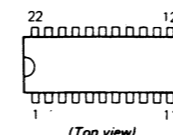
TD62381P



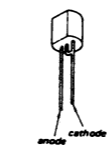
μPC1188H



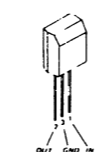
μPC1377C



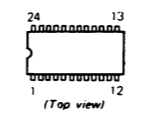
μPC574J



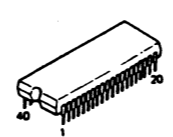
μPC78L12



μPD8243C



μPD7508HCU-244



DTC124ES  
DTC144ES  
2SA1048  
2SA1115  
2SC1740SET  
2SC1740SQT  
2SC1740SRT  
2SC1740SST  
2SC2458  
2SC2603  
2SC2603E  
2SC2603F  
2SC2603G



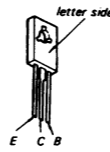
2SA1091  
2SA933S-QT  
2SA933S-RT  
2SA933S-ST  
2SB740  
2SC2551  
2SD789



2SA1175  
2SC2785



2SA1220A  
2SC2611  
2SC2688  
2SC2690A



2SB734  
2SC2958  
2SC2959  
2SD773  
2SD774



2SC1475  
2SD788



2SC2238B  
2SC2334  
2SC2334-L  
2SD795A



2SC2673



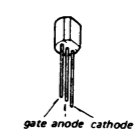
2SD1497-04



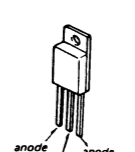
2SK523-L1



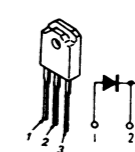
CR02AM-4  
CR02AM-8



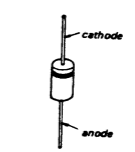
CTU-12S



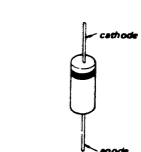
CTU-38S



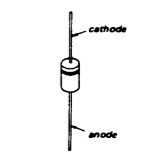
EQA01-06T  
ERB12-02  
HZS10E-B2TD  
HZ12E-B2  
RD12E-B2  
RD13E-B  
RD13E-N1  
RD13E-N2  
RD13E-N3  
RD20E-B  
RD20E-N1  
RD20E-N2  
RD20E-N3  
RD24E-BZ7  
RD4.7E-N2  
RD4.7E-N3TN  
RD5.6E-N1TN  
RD5.6E-N2  
RD6.2E-B1  
RD6.2E-B2  
RD6.2E-L2  
RD6.2E-L3TN  
RD6.2E-N2  
RD7.5E-N2  
RGP10G  
1N4148-M  
1N4148-T2  
1SS83  
1S1555  
1S2076TP1  
1S2473T-77  
10E-2



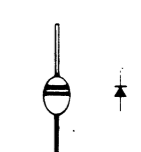
EQA02-11C



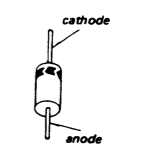
EQA02-11CTP3  
EQB01-06  
ERC14-06S  
ERC25-06S  
RH-1  
RH-1A  
RH-1Z  
SIB01-02



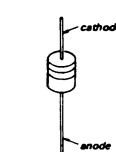
ERC26-15S  
ERC26-15SA  
GH3F  
GU-3A  
V11N  
V19E  
V30N



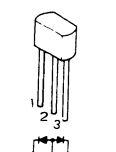
GP08D



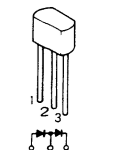
HZS13N  
HZS13NB  
HZS20N  
HZS24N  
HZS5.6NE  
HZS6.8NE  
RK10ES-E  
RD13ES-E  
RD13ES-F  
RD15ES-E  
RD20ES-E  
RD34ES-E  
RD3.6ES-  
RD5.1ES-  
RD5.1ES-  
RD5.6ES-  
RD6.2ES-  
RD6.2ES-  
RD6.8ES-  
RD6.8ES-  
RD8.2ES-  
RD9.1ES-  
1SS119  
1SS133  
1SS133T



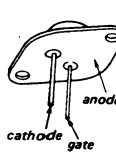
MC911



MC931



SG264A



**PVM-2730QM**  
RM-668

**PVM-2730QM**  
RM-668

**PVM-2730QM**  
RM-668

**SECTION 6**  
**EXPLODED VIEWS**

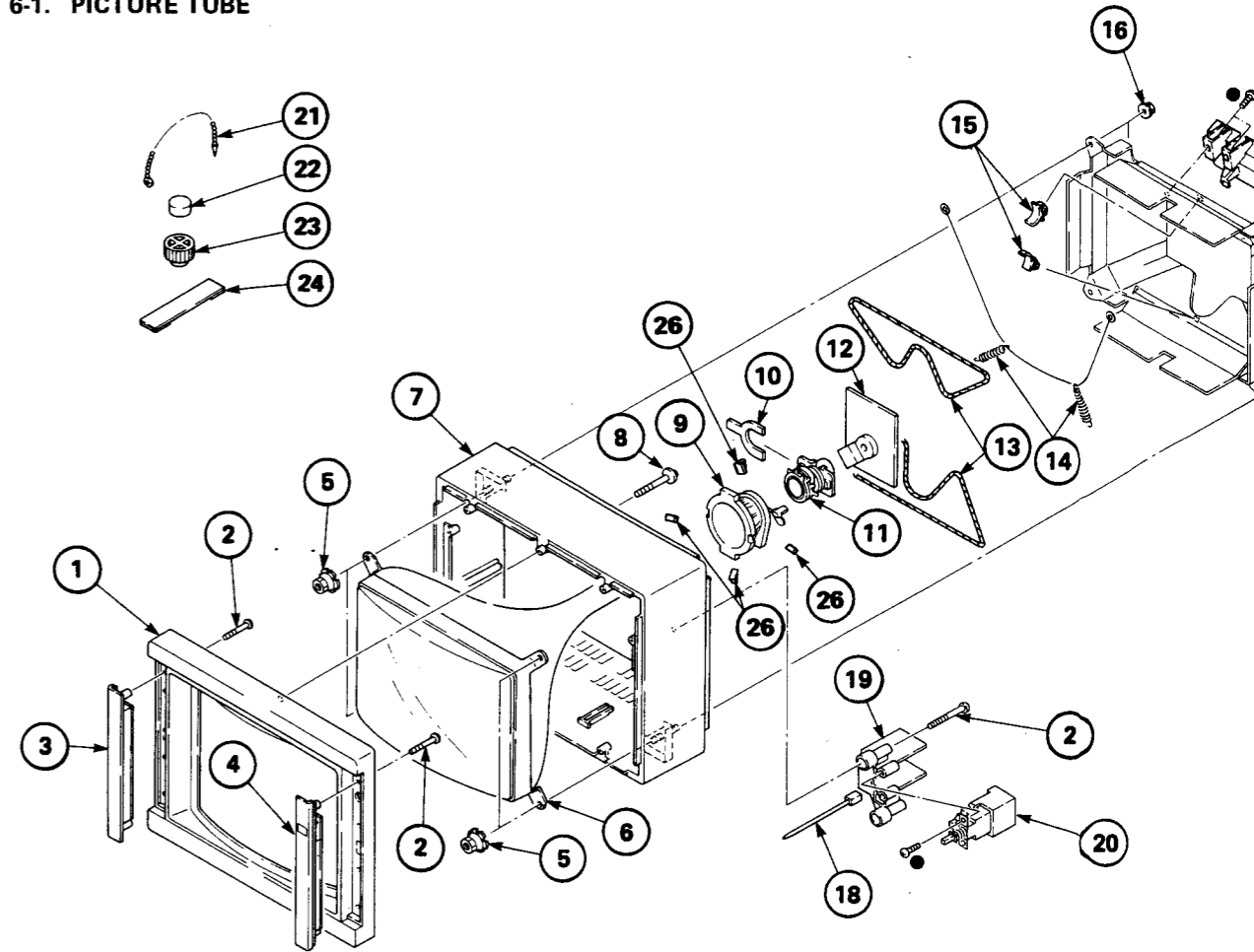
**NOTE:**

- Items with no part number and no description are not stocked because they are seldom required for routine service.
- The construction parts of an assembled part are indicated with a collation number in the remark column.

- Items marked "\*" are not stocked since they are seldom required for routine service. Some delay should be anticipated when ordering these items.

The components identified by shading and mark  $\Delta$  are critical for safety. Replace only with part number specified.

**6-1. PICTURE TUBE**



No.	Part No.	Description	Remark	No.	Part No.	Description
1	X-4374-191-1	BEZEL ASSY		14	4-303-774-XX	SPRING
2	3-703-083-00	+ BV 3X25	2	15	*4-371-629-01	STOPPER, WIRE
3	1-464-792-12	KEY BOARD UNIT (A)		16	4-306-034-00	FLANGE NUT, (B) 5MM
4	1-464-793-12	KEY BOARD UNIT (B)		17	$\Delta$ 1-230-712-21	RESISTOR ASSY, HIGH-VOLTAGE
5	4-376-980-01	NUT, SPECIAL, CRT		18	*4-371-182-01	SHAFT
6	$\Delta$ 8-736-652-05	CRT (A64JKJ10X) (AEP,WG ONLY)		19	*4-371-183-01	COVER, MAIN SWITCH
7	$\Delta$ 8-736-654-05	CRT (A64JKJ10X) (AUS ONLY)		20	$\Delta$ 1-554-966-12	SWITCH, PUSH (AC POWER)(1 KEY)
8	X-4374-192-1	CABINET ASSY	8	21	4-308-870-00	CLIP, LEAD WIRE
9	4-319-520-11	SCREW, SPECIAL (+PW4X30)		22	1-452-032-00	MAGNET, DISK; 10MM $\phi$
10	$\Delta$ 1-451-255-22	DEFLECTION YOKE (SY-164)		23	1-452-094-00	MAGNET, ROTATAB: E DISK; 15MM $\phi$
11	1-452-146-21	MAGNET, BMC		24	X-4308-815-0	PERMALLOY ASSY, CONVERGENCE
12	$\Delta$ 1-452-351-22	NECK ASSY, CRT (NA302)		26	3-703-003-00	SPACER, DY
13	*A-1330-789-A	C BOARD, COMPLETE				
	$\Delta$ 1-426-278-21	COIL, DEMAGNETIZATION				

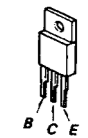
2SB734  
2SC2958  
2SC2959  
2SD773  
2SD774



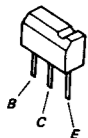
2SC1475  
2SD788



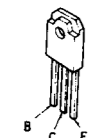
2SC2238B  
2SC2334  
2SC2334-L  
2SD795A



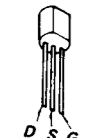
2SC2673



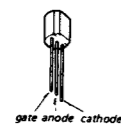
2SD1497-04



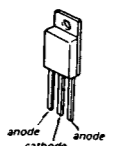
2SK523-L1



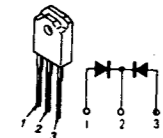
CRO2AM-4  
CRO2AM-8



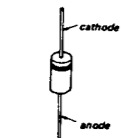
CTU-12S



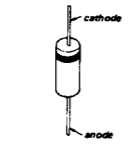
CTU-38S



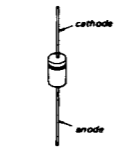
EQA01-06T  
ERB12-02  
HZS10E-B2TD  
HZ12E-B2  
RD12E-B2  
RD13E-B  
RD13E-N1  
RD13E-N2  
RD13E-N3  
RD20E-B  
RD20E-N1  
RD20E-N2  
RD20E-N3  
RD24E-BZ7  
RD4.7E-N2  
RD4.7E-N3TN  
RD5.6E-N1TN  
RD5.6E-N2  
RD6.2E-B1  
RD6.2E-B2  
RD6.2E-L2  
RD6.2E-L3TN  
RD6.2E-N2  
RD7.5E-N2  
RGP10G  
1N4148-M  
1N4148-T2  
1SS83  
1S1555  
1S2076TP1  
1S2473T-77  
10E-2



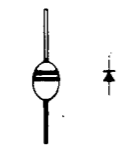
EQA02-11C



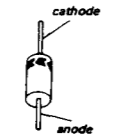
EQA02-11CTP3  
EQB01-06  
ERC14-06S  
ERC25-06S  
RH-1  
RH-1A  
RH-1Z  
SIB01-02



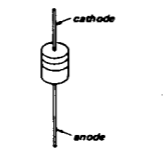
ERC26-15S  
ERC26-15SA  
GH3F  
GU-3A  
V11N  
V19E  
V30N



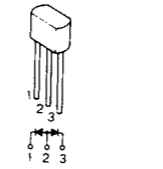
GP08D



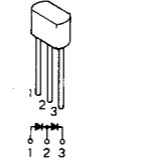
HZS13N  
HZS13NB2  
HZS20N  
HZS24N  
HZS5.6NB1  
HZS6.8NB2TD  
RK10ES-B2  
RD13ES-B  
RD13ES-B2  
RD15ES-B  
RD20ES-B  
RD34ES-B  
RD3.6ES-B1  
RD5.1ES-B  
RD5.1ES-B2  
RD5.6ES-B3  
RD6.2ES-B1  
RD6.2ES-B2  
RD6.8ES-B  
RD6.8ES-B2  
RD8.2ES-B2  
RD9.1ES-B3  
1SS119  
1SS133  
1SS133T



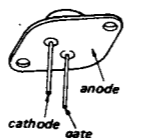
MC911



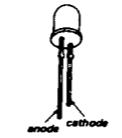
MC931



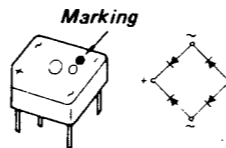
SG264A



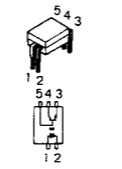
SLR-932A



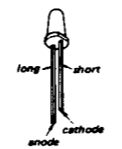
S3WB60Z  
S3WB60ZS



TLP581



TLS263P  
TLY263P



**PVM-2730QM**  
RM-668

**PVM-2730QM**  
RM-668

**SECTION 6**  
**EXPLODED VIEWS**

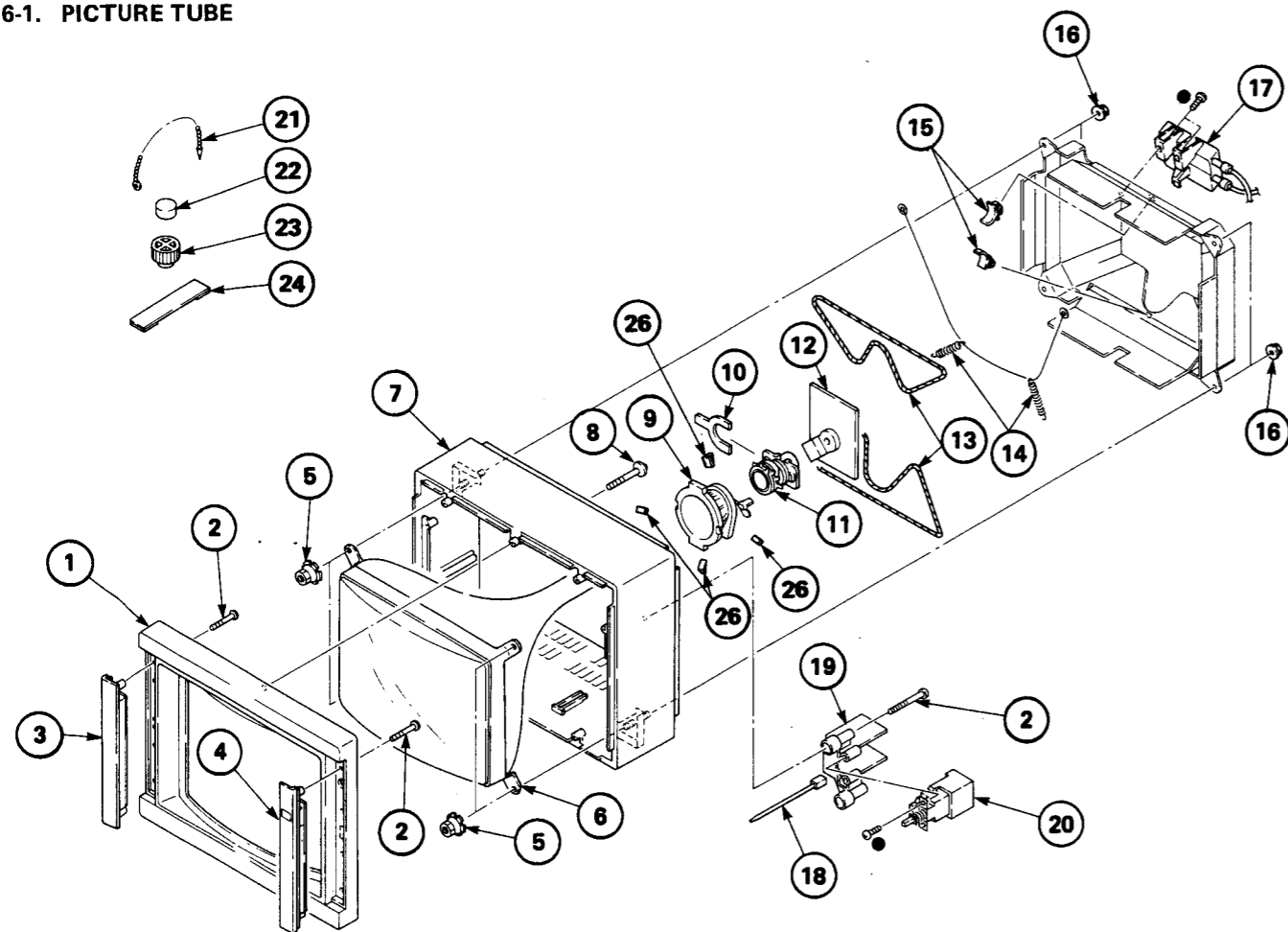
**NOTE:**

- Items with no part number and no description are not stocked because they are seldom required for routine service.
- The construction parts of an assembled part are indicated with a collation number in the remark column.

- Items marked " \* " are not stocked since they are seldom required for routine service. Some delay should be anticipated when ordering these items.

The components identified by shading and mark **Δ** are critical for safety. Replace only with part number specified.

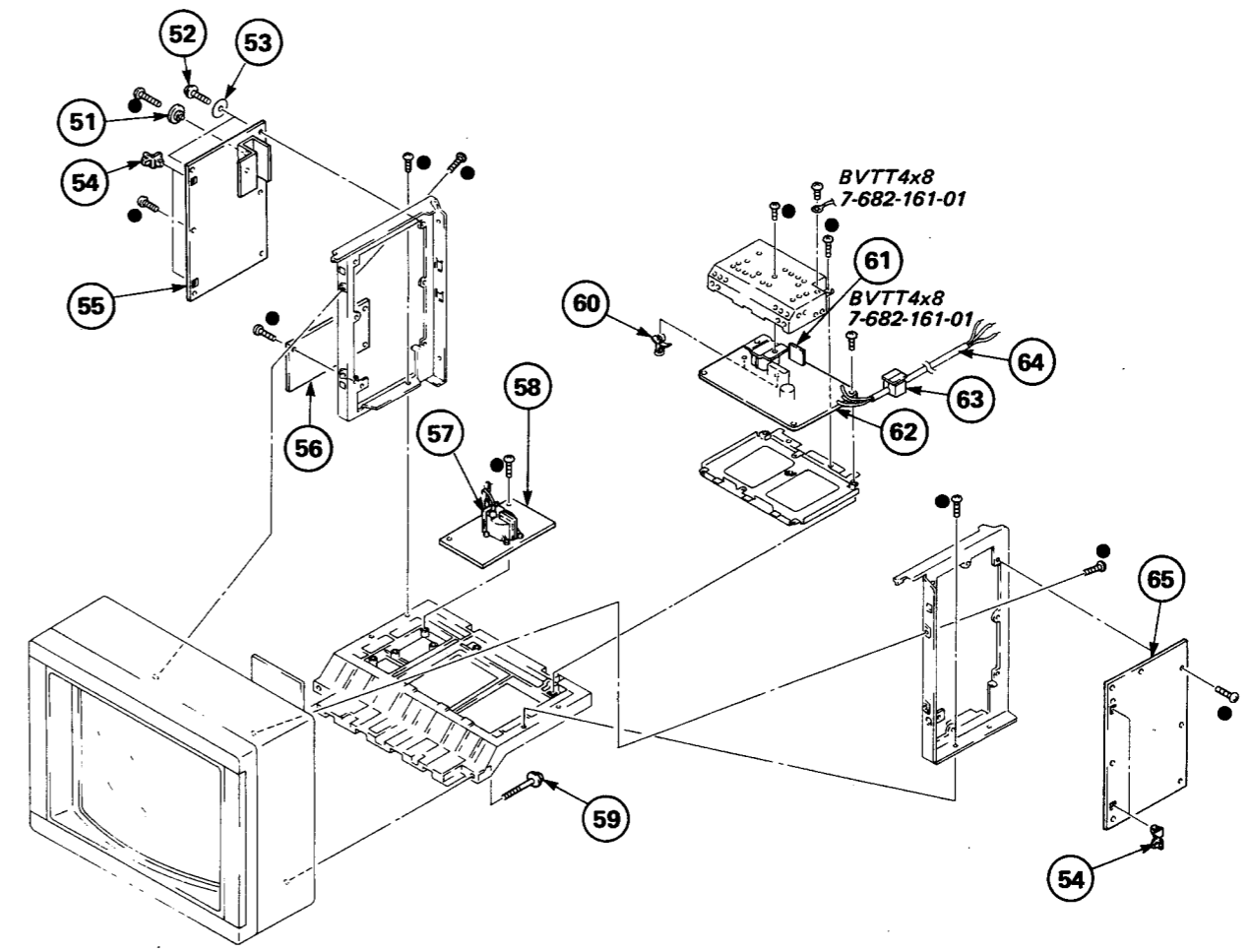
**6-1. PICTURE TUBE**



No.	Part No.	Description	Remark	No.	Part No.	Description	Remark
1	X-4374-191-1	BEZEL ASSY	2	14	4-303-774-XX	SPRING	
2	3-703-083-00	+ BV 3X25		15	*4-371-629-01	STOPPER, WIRE	
3	1-464-792-12	KEY BOARD UNIT (A)		16	4-306-034-00	FLANGE NUT, (8) 5MM	
4	1-464-793-12	KEY BOARD UNIT (B)		17	Δ 1-230-712-21	RESISTOR ASSY, HIGH-VOLTAGE	
5	4-376-980-01	NUT, SPECIAL, CRT		18	*4-371-182-01	SHAFT	
6	Δ 8-736-652-05	CRT (A64JKJ10X) (AEP, WG ONLY)		19	*4-371-183-01	COVER, MAIN SWITCH	
7	Δ 8-736-654-05	CRT (A64JKJ10X) (AUS ONLY)		20	Δ 1-554-966-12	SWITCH, PUSH (AC POWER)(1 KEY)	
8	X-4374-192-1	CABINET ASSY	8	21	4-308-870-00	CLIP, LEAD WIRE	
9	4-319-520-11	SCREW, SPECIAL (+PW4X30)		22	1-452-032-00	MAGNET, DISK; 10MM φ	
10	Δ 1-451-255-22	DEFLECTION YOKE (SY-164)		23	1-452-094-00	MAGNET, ROTATABLE DISK; 15MM φ	
11	1-452-146-21	MAGNET, BMC		24	X-4308-815-0	PERMALLOY ASSY, CONVERGENCE	
12	Δ 1-452-351-22	NECK ASSY, CRT (NA302)		26	3-703-003-00	SPACER, DY	
13	*A-1330-789-A	C BOARD, COMPLETE					
	Δ 1-426-278-21	COIL, DEMAGNETIZATION					

**6-2. CHASSIS**

• BVTP3x12 7-685-648-79



The components identified by shading and mark **Δ** are critical for safety. Replace only with part number specified.

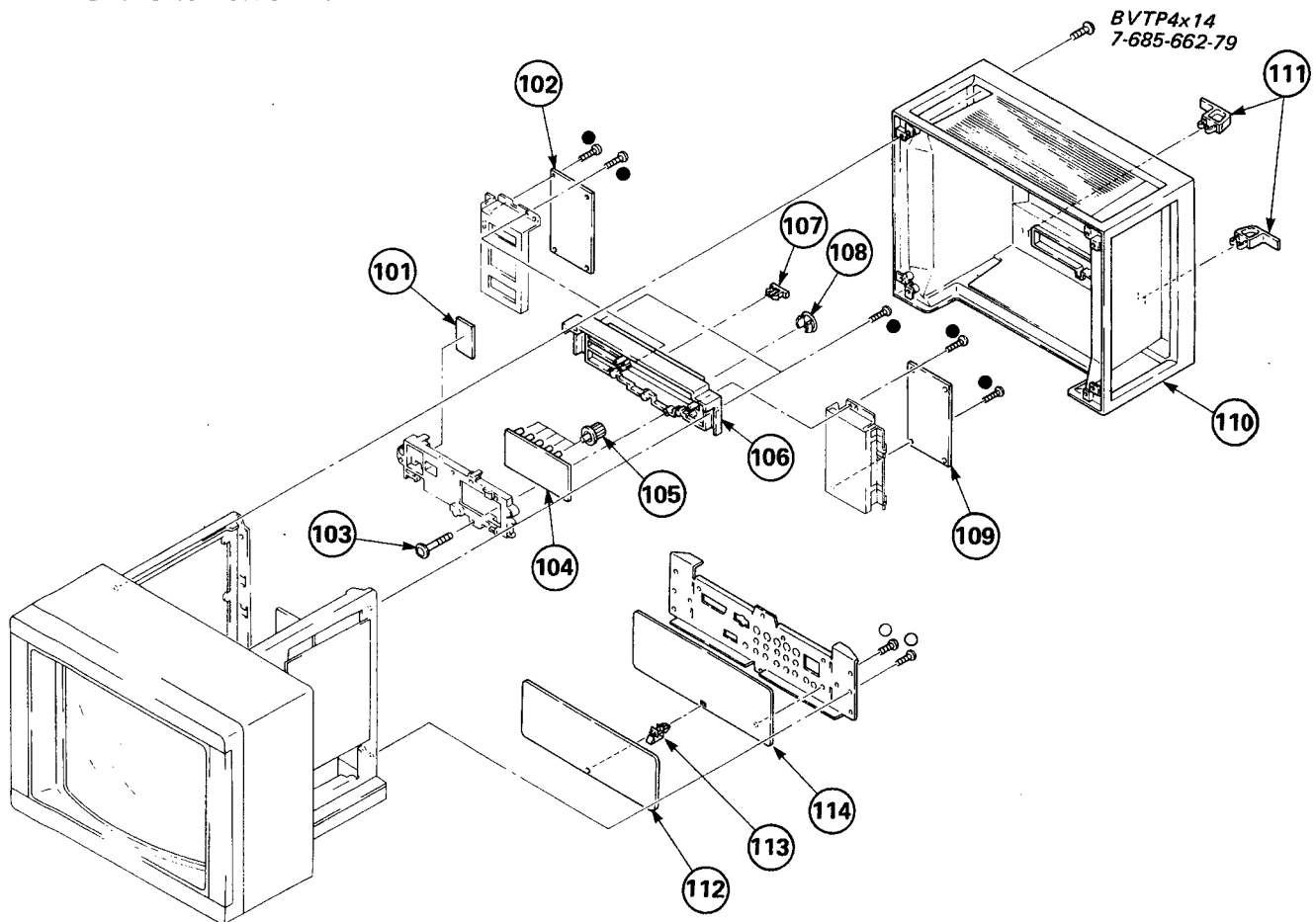
No.	Part No.	Description	Remark	No.	Part No.	Description	Remark
51	3-703-320-00	BUSHING (A), TRANSISTOR (AEP, AUS ONLY)		60	*3-670-570-11	SPACER, SUPPORT (AEP, AUS ONLY)	
52	4-302-428-00	HEAD, WASHER, TAPPING SCREW		61	*1-621-548-11	FC BOARD	
53	4-383-101-01	WASHER (DIA.14)		62	*A-1245-387-A	FA BOARD, COMPLETE (AEP, AUS ONLY)	61
54	*4-313-732-00	CLIP, HINGE, CIRCUIT BOARD			*A-1245-411-A	FA BOARD, COMPLETE (WG, ONLY)	61
55	*A-1345-699-A	D BOARD, COMPLETE		63	Δ 4-364-726-01	BUSHING, AC CORD (WG, ONLY)	
56	*A-1340-941-A	D3 BOARD, COMPLETE			Δ 4-364-745-01	BUSHING, AC CORD (AEP, AUS ONLY)	
57	Δ 1-439-339-13	TRANSFORMER ASSY, FLYBACK		64	Δ 1-621-546-11	POWER CORD (WG ONLY)	
58	*1-621-546-11	FB BOARD			Δ 1-534-820-13	POWER CORD (AEP, AUS ONLY)	
59	4-319-520-11	SCREW, SPECIAL (+PW4X30)		65	*A-1135-442-A	B BOARD, COMPLETE	

**PVM-2730QM**  
RM-668

### 6-3. BACK COVER

●: BVTP 3x12 7-685-648-79

○: BVTP 3x10 7-685-647-79

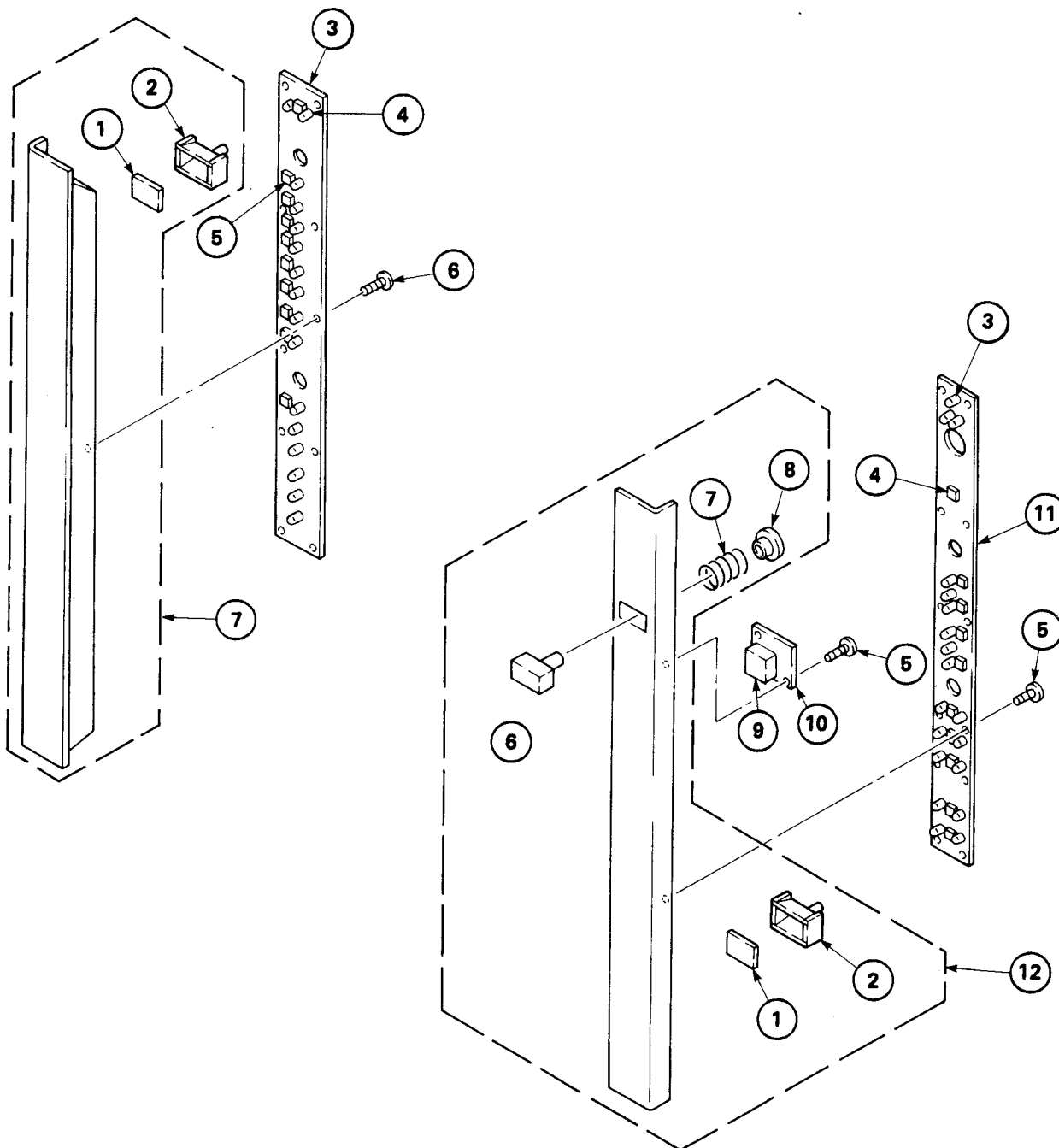


No.	Part No.	Description	Remark	No.	Part No.	Description	Remark
101	*1-621-541-11	HD BOARD		108	4-371-181-01	CAP	
102	*A-1340-940-A	D2 BOARD, COMPLETE		109	*A-1380-192-A	K BOARD, COMPLETE	
103	4-319-520-11	SCREW, SPECIAL (+PW4X30)		110	X-4374-162-3	COVER ASSY, REAR	111
104	*A-1375-066-A	HC BOARD, COMPLETE		111	4-316-003-21	HOLDER, CORD	
105	4-381-166-01	KNOB (A), CONTROL		112	*A-1270-213-A	QB BOARD, COMPLETE	
106	4-382-005-31	PANEL, CONTROL		113	*3-703-141-00	HOLDER, PCB	
107	4-371-176-01	CAP, SQUARE		114	*A-1270-212-A	QA BOARD, COMPLETE	



**PVM-2730QM**  
RM-668

**6-4. KEY BOARD**



No.	Part No.	Description
1	9-990-892-01	ILLUMINATOR A
2	9-990-891-01	REFLECTOR A
3	*9-992-247-01	HA BOARD
4	9-990-895-01	SPACER
5	1-553-766-00	MT SWITCH (KEY BOARD SWITCH)
6	9-990-894-01	TAPPING SCREW
7	9-992-249-01	FRAME ASSY

Remark	No.	Part No.	Description	Remark
	1	9-990-892-01	ILLUMINATOR A	
	2	9-990-891-01	REFLECTOR A	
	3	9-990-895-01	SPACER	
	4	1-553-766-00	MT SWITCH (KEY BOARD SWITCH)	
	5	9-990-894-01	TAPPING SCREW	
	6	9-990-899-01	KEY TOP	
1,2	7	9-990-902-01	COIL SPRING	
	8	9-990-900-01	STOPPER	
	9	8-741-138-70	DETECTOR (BX1387)	
	10	*9-990-898-01	N BOARD	
	11	*9-992-243-01	HB BOARD	
	12	9-992-244-01	FRAME ASSY	1,2,6,7,8

## SECTION 7 ELECTRICAL PARTS LIST

B

NOTE:

The components identified by shading and mark **A** are critical for safety. Replace only with part number specified.

When indicating parts by reference number, please include the board name.

• Items marked " \* " are not stocked since they are seldom required for routine service. Some delay should be anticipated when ordering these items.

- All variable and adjustable resistors have characteristic curve B, unless otherwise noted.
- CAPACITORS  
• MF :  $\mu$ F, PF :  $\mu$ PF
- RESISTORS  
• All resistors are in ohms  
• F : nonflammable
- COILS  
• MMH : mH, UH :  $\mu$ H

Ref.No.	Part No.	Description	Remark	Ref.No.	Part No.	Description	Remark
	*A-1135-442-A	B BOARD, COMPLETE *****		C139	1-123-356-00	ELECT 10MF	20% 16V
		<u>CONNECTOR</u>		C140	1-123-356-00	ELECT 10MF	20% 16V
B1	*1-566-054-11	PIN, CONNECTOR 2P		C141	1-123-330-00	ELECT 22MF	20% 16V
B2	*1-566-057-11	PIN, CONNECTOR 5P		C161	1-123-333-00	ELECT 100MF	20% 25V
B4	*1-566-055-11	PIN, CONNECTOR 3P		C162	1-123-321-00	ELECT 220MF	20% 16V
B5	*1-566-059-11	PIN, CONNECTOR 7P		C167	1-101-004-00	CERAMIC 0.01MF	50V
B6	*1-566-056-11	PIN, CONNECTOR 4P		C168	1-123-356-00	ELECT 10MF	20% 16V
B7	*1-566-058-11	PIN, CONNECTOR 6P		C169	1-123-356-00	ELECT 10MF	20% 25V
B8	*1-566-059-11	PIN, CONNECTOR 7P		C170	1-101-004-00	CERAMIC 0.01MF	50V
B9	*1-566-061-11	PIN, CONNECTOR 9P		C171	1-123-356-00	ELECT 10MF	20% 16V
B10	*1-566-065-11	PIN, CONNECTOR 13P		C173	1-101-004-00	CERAMIC 0.01MF	50V
B11	*1-566-061-11	PIN, CONNECTOR 9P		C174	1-101-004-00	CERAMIC 0.01MF	50V
B13	*1-566-054-11	PIN, CONNECTOR 2P		C175	1-101-006-00	CERAMIC 0.047MF	50V
B14	*1-566-057-11	PIN, CONNECTOR 5P		C177	1-119-354-00	ELECT 330MF	10V
B15	*1-508-766-00	4P PLUG (M)		C178	1-101-004-00	CERAMIC 0.01MF	50V
B16	*1-566-056-11	PIN, CONNECTOR 4P		C179	1-101-006-00	CERAMIC 0.047MF	50V
B17	*1-566-054-11	PIN, CONNECTOR 2P		C180	1-123-307-00	ELECT 100MF	20% 10V
B18	*1-566-055-11	PIN, CONNECTOR 3P		C181	1-123-332-00	ELECT 47MF	20% 16V
B19	*1-566-057-11	PIN, CONNECTOR 5P		C182	1-101-006-00	CERAMIC 0.047MF	50V
B20	*1-566-058-11	PIN, CONNECTOR 6P		C183	1-119-352-00	ELECT 100MF	10V
B21	*1-566-054-11	PIN, CONNECTOR 2P		C185	1-123-307-00	ELECT 100MF	20% 10V
		<u>CAPACITOR</u>		C186	1-123-356-00	ELECT 10MF	20% 16V
C101	1-123-356-00	ELECT 10MF	20% 16V	C187	1-123-330-00	ELECT 22MF	20% 16V
C103	1-102-973-00	CERAMIC 100PF	5% 50V	C301	1-123-333-00	ELECT 100MF	20% 16V
C104	1-123-306-00	ELECT 47MF	20% 10V	C302	1-101-888-00	CERAMIC 68PF	5% 50V
C105	1-136-161-00	FILM 0.047MF	5% 50V	C303	1-123-369-00	ELECT 4.7MF	20% 25V
C106	1-102-963-00	CERAMIC 33PF	5% 50V	C304	1-123-356-00	ELECT 10MF	20% 16V
C107	1-102-963-00	CERAMIC 33PF	5% 50V	C305	1-110-201-00	MYLAR 0.0033MF	5% 50V
C108	1-102-978-00	CERAMIC 220PF	5% 50V	C306	1-101-006-00	CERAMIC 0.047MF	50V
C110	1-123-333-00	ELECT 100MF	20% 25V	C307	1-101-006-00	CERAMIC 0.047MF	50V
C112	1-123-335-00	ELECT 330MF	20% 25V	C308	1-123-381-00	ELECT 2.2MF	20% 50V
C113	1-123-318-00	ELECT 33MF	20% 16V	C309	1-102-946-00	CERAMIC 9PF	0.5PF 50V
C114	1-123-333-00	ELECT 100MF	20% 25V	C310	1-123-356-00	ELECT 10MF	20% 16V
C115	1-123-333-00	ELECT 100MF	20% 16V	C311	1-136-157-00	FILM 0.022MF	5% 50V
C116	1-101-006-00	CERAMIC 0.047MF	50V	C312	1-136-157-00	FILM 0.022MF	5% 50V
C118	1-101-004-00	CERAMIC 0.01MF	50V	C313	1-102-074-00	CERAMIC 0.001MF	10% 50V
C119	1-123-330-00	ELECT 22MF	20% 16V	C314	1-101-006-00	CERAMIC 0.047MF	50V
C120	1-123-330-00	ELECT 22MF	20% 25V	C315	1-101-006-00	CERAMIC 0.047MF	50V
C123	1-101-006-00	CERAMIC 0.047MF	50V	C316	1-136-169-00	FILM 0.22MF	5% 50V
C125	1-123-380-00	ELECT 1MF	20% 50V	C317	1-102-074-00	CERAMIC 0.001MF	10% 50V
C126	1-123-380-00	ELECT 1MF	20% 50V	C322	1-101-006-00	CERAMIC 0.047MF	50V
C127	1-123-380-00	ELECT 1MF	20% 50V	C323	1-124-464-11	ELECT 0.22MF	20% 50V
C128	1-123-380-00	ELECT 1MF	20% 50V	C324	1-124-464-11	ELECT 0.22MF	20% 50V
C131	1-130-475-00	MYLAR 0.0022MF	5% 50V	C325	1-123-333-00	ELECT 100MF	20% 16V
C133	1-123-380-00	ELECT 1MF	20% 50V	C326	1-124-464-11	ELECT 0.22MF	20% 50V
C134	1-123-380-00	ELECT 1MF	20% 50V	C327	1-102-111-00	CERAMIC 270PF	10% 50V
C135	1-123-381-00	ELECT 2.2MF	20% 50V	C330	1-101-006-00	CERAMIC 0.047MF	50V
C136	1-101-006-00	CERAMIC 0.047MF	50V	C331	1-123-380-00	ELECT 1MF	20% 50V
C137	1-123-307-00	ELECT 100MF	20% 10V	C332	1-136-161-00	FILM 0.047MF	5% 50V
C138	1-123-307-00	ELECT 100MF	20% 10V	C333	1-102-959-00	CERAMIC 22PF	5% 50V
				C334	1-123-380-00	ELECT 1MF	20% 50V
				C335	1-123-307-00	ELECT 100MF	20% 10V
				C336	1-123-318-00	ELECT 33MF	20% 16V
				C337	1-102-112-00	CERAMIC 330PF	10% 50V



PVM-2730QM  
RM-668

B

Ref.No.	Part No.	Description	Remark	Ref.No.	Part No.	Description	Remark
D112	8-719-911-19	DIODE 1SS119		IC107	8-759-207-07	IC TD62381P	
D113	8-719-911-19	DIODE 1SS119		IC110	8-759-140-66	IC UPD4066BC	
D114	8-719-911-19	DIODE 1SS119		IC121	8-759-171-05	IC UPC7805H	
D115	8-719-109-85	DIODE RD5.1ES-B2			*4-363-146-00	HEAT SINK, V.OUT; IC121	
D116	8-719-109-90	DIODE RD5.6ES-B3		IC122	8-759-700-06	IC NJM7812B	
D117	8-719-911-19	DIODE 1SS119			*4-323-833-00	HEAT SINK, PIN OUT; IC122	
D118	8-719-911-19	DIODE 1SS119		IC301	8-752-030-86	IC CXA1001AP	
D120	8-719-911-19	DIODE 1SS119		IC302	8-752-030-31	IC CXA1024S	
D121	8-719-911-19	DIODE 1SS119		IC311	8-759-240-73	IC TC4073BP	
D123	8-719-911-19	DIODE 1SS119		IC401	8-751-750-00	IC CX175	
D124	8-719-911-19	DIODE 1SS119		IC411	8-759-135-80	IC UPC358C	
D125	8-719-911-19	DIODE 1SS119		IC412	8-759-140-66	IC UPD4066BC	
D126	8-719-109-95	DIODE RD6.8ES-B				<u>COIL</u>	
D127	8-719-109-95	DIODE RD6.8ES-B		L101	1-408-424-00	MICRO INDUCTOR 180UH	
D305	8-719-911-19	DIODE 1SS119		L104	1-408-424-00	MICRO INDUCTOR 180UH	
D306	8-719-911-19	DIODE 1SS119		L105	1-408-424-00	MICRO INDUCTOR 180UH	
D307	8-719-911-19	DIODE 1SS119		L161	1-407-364-00	COIL, SPOOK CHOKE 3.3UH	
D308	8-719-911-19	DIODE 1SS119		L333	1-408-416-00	MICRO INDUCTOR 39UH	
D309	8-719-911-19	DIODE 1SS119		L337	1-408-160-00	MICRO INDUCTOR 15MMH	
D334	8-719-110-15	DIODE RD10ES-B		L405	1-404-496-00	COIL	
D335	8-719-911-19	DIODE 1SS119		L406	1-408-411-00	MICRO INDUCTOR 15UH	
D339	8-719-911-19	DIODE 1SS119		L420	1-408-411-00	MICRO INDUCTOR 15UH	
D340	8-719-911-19	DIODE 1SS119		L421	1-404-496-00	COIL	
D341	8-719-911-19	DIODE 1SS119		L430	1-408-245-00	MICRO INDUCTOR 22MMH	
D342	8-719-110-15	DIODE RD10ES-B		L431	1-408-414-00	MICRO INDUCTOR 27UH	
D343	8-719-110-15	DIODE RD10ES-B		L432	1-408-415-00	MICRO INDUCTOR 33UH	
D344	8-719-110-15	DIODE RD10ES-B		L435	1-408-408-00	MICRO INDUCTOR 8.2UH	
D345	8-719-911-19	DIODE 1SS119		L451	1-404-495-00	COIL	
D351	8-719-911-19	DIODE 1SS119		L452	1-404-495-00	COIL	
D354	8-719-911-19	DIODE 1SS119		L455	1-408-163-00	MICRO INDUCTOR 5.6MMH	
D361	8-719-911-19	DIODE 1SS119				<u>IC LINK</u>	
D362	8-719-911-19	DIODE 1SS119		PS1	1-532-605-00	LINK, IC	
D391	8-719-911-19	DIODE 1SS119		PS2	1-532-637-00	LINK, IC	
D392	8-719-911-19	DIODE 1SS119				<u>TRANSISTOR</u>	
D401	8-719-911-19	DIODE 1SS119		Q101	8-729-117-54	TRANSISTOR 2SA1175	
D442	8-719-911-19	DIODE 1SS119		Q102	8-729-117-54	TRANSISTOR 2SA1175	
D443	8-719-911-19	DIODE 1SS119		Q103	8-729-178-54	TRANSISTOR 2SC2785	
D444	8-719-911-19	DIODE 1SS119		Q104	8-729-178-54	TRANSISTOR 2SC2785	
D445	8-719-911-19	DIODE 1SS119		Q105	8-729-178-54	TRANSISTOR 2SC2785	
D450	8-719-911-19	DIODE 1SS119		Q107	8-729-900-36	TRANSISTOR DTC124ES	
D454	8-719-911-19	DIODE 1SS119		Q108	8-729-178-54	TRANSISTOR 2SC2785	
D457	8-719-911-19	DIODE 1SS119		Q109	8-729-117-54	TRANSISTOR 2SA1175	
		<u>DELAY LINE</u>		Q110	8-729-117-54	TRANSISTOR 2SA1175	
DL301	1-415-122-31	DELAY LINE, 1H (PAL)		Q111	8-729-103-43	TRANSISTOR 2SB734	
DL401	1-415-380-11	DELAY LINE, Y		Q112	8-729-178-54	TRANSISTOR 2SC2785	
		<u>IC</u>		Q113	8-729-178-54	TRANSISTOR 2SC2785	
IC101	8-759-113-02	IC UPD7508HCU-244		Q114	8-729-178-54	TRANSISTOR 2SC2785	
IC102	8-752-321-18	IC CXK1005P		Q115	8-729-900-36	TRANSISTOR DTC124ES	
IC103	8-759-102-28	IC UPD6326C		Q116	8-729-117-54	TRANSISTOR 2SA1175	
IC104	8-759-182-43	IC UPD8243C					
IC106	8-759-207-07	IC TD62381P					

**PVM-2730QM**  
**RM-668**

<b>B</b>
----------

Ref.No.	Part No.	Description	Remark	Ref.No.	Part No.	Description	Remark
Q117	8-729-178-54	TRANSISTOR 2SC2785		Q460	8-729-178-54	TRANSISTOR 2SC2785	
Q118	8-729-117-54	TRANSISTOR 2SA1175		Q461	8-729-178-54	TRANSISTOR 2SC2785	
Q119	8-729-117-54	TRANSISTOR 2SA1175		Q1301	8-729-178-54	TRANSISTOR 2SC2785	
Q121	8-729-133-42	TRANSISTOR 2SC2334-L		Q1302	8-729-178-54	TRANSISTOR 2SC2785	
	*4-363-146-00	HEAT SINK, V.OUT; Q121		Q1303	8-729-117-54	TRANSISTOR 2SA1175	
Q122	8-729-117-54	TRANSISTOR 2SA1175		<u>RESISTOR</u>			
Q123	8-729-178-54	TRANSISTOR 2SC2785		R101	1-249-395-11	CARBON 15 5% 1/6W	
Q301	8-729-117-54	TRANSISTOR 2SA1175		R102	1-249-395-11	CARBON 15 5% 1/6W	
Q309	8-729-178-54	TRANSISTOR 2SC2785		R103	1-249-441-11	CARBON 100K 5% 1/6W	
Q310	8-729-117-54	TRANSISTOR 2SA1175		R104	1-249-441-11	CARBON 100K 5% 1/6W	
Q311	8-729-177-32	TRANSISTOR 2SD773		R105	1-247-805-00	CARBON 82 5% 1/6W	
Q315	8-729-178-54	TRANSISTOR 2SC2785		R106	1-249-413-11	CARBON 470 5% 1/6W	
Q316	8-729-178-54	TRANSISTOR 2SC2785		R107	1-249-411-11	CARBON 330 5% 1/6W	
Q321	8-729-178-54	TRANSISTOR 2SC2785		R108	1-249-441-11	CARBON 100K 5% 1/6W	
Q322	8-729-178-54	TRANSISTOR 2SC2785		R109	1-249-433-11	CARBON 22K 5% 1/6W	
Q324	8-729-178-54	TRANSISTOR 2SC2785		R110	1-249-465-11	CARBON 47K 5% 1/4W	
Q331	8-729-178-54	TRANSISTOR 2SC2785		R111	1-249-437-11	CARBON 47K 5% 1/6W	
Q341	8-729-178-54	TRANSISTOR 2SC2785		R114	1-249-437-11	CARBON 47K 5% 1/6W	
Q342	8-729-178-54	TRANSISTOR 2SC2785		R116	1-249-414-11	CARBON 560 5% 1/6W	
Q343	8-729-178-54	TRANSISTOR 2SC2785		R117	1-249-429-11	CARBON 10K 5% 1/6W	
Q353	8-729-178-54	TRANSISTOR 2SC2785		R118	1-249-429-11	CARBON 10K 5% 1/6W	
Q354	8-729-900-36	TRANSISTOR DTC124ES		R119	1-249-429-11	CARBON 10K 5% 1/6W	
Q355	8-729-178-54	TRANSISTOR 2SC2785		R121	1-215-867-00	METAL OXIDE 470 5% 1W F	
Q357	8-729-117-54	TRANSISTOR 2SA1175		R122	1-249-417-11	CARBON 1K 5% 1/6W	
Q358	8-729-900-36	TRANSISTOR DTC124ES		R123	1-216-357-00	METAL OXIDE 4.7 5% 1W F	
Q361	8-729-117-54	TRANSISTOR 2SA1175		R124	1-249-433-11	CARBON 22K 5% 1/6W	
Q362	8-729-117-54	TRANSISTOR 2SA1175		R125	1-249-435-11	CARBON 33K 5% 1/6W	
Q363	8-729-117-54	TRANSISTOR 2SA1175		R126	1-249-431-11	CARBON 15K 5% 1/6W	
Q371	8-729-178-54	TRANSISTOR 2SC2785		R127	1-249-417-11	CARBON 1K 5% 1/6W	
Q372	8-729-178-54	TRANSISTOR 2SC2785		R128	1-249-434-11	CARBON 27K 5% 1/6W	
Q373	8-729-178-54	TRANSISTOR 2SC2785		R129	1-247-717-11	CARBON 2.2K 5% 1/4W	
Q374	8-729-178-54	TRANSISTOR 2SC2785		R130	1-247-706-11	CARBON 330 5% 1/4W	
Q390	8-729-178-54	TRANSISTOR 2SC2785		R131	1-249-409-11	CARBON 220 5% 1/6W	
Q391	8-729-178-54	TRANSISTOR 2SC2785		R132	1-249-409-11	CARBON 220 5% 1/6W	
Q392	8-729-178-54	TRANSISTOR 2SC2785		R133	1-249-421-11	CARBON 2.2K 5% 1/6W	
Q393	8-729-117-54	TRANSISTOR 2SA1175		R134	1-249-421-11	CARBON 2.2K 5% 1/6W	
Q400	8-729-178-54	TRANSISTOR 2SC2785		R135	1-249-437-11	CARBON 47K 5% 1/6W	
Q401	8-729-178-54	TRANSISTOR 2SC2785		R136	1-249-417-11	CARBON 1K 5% 1/6W	
Q402	8-729-178-54	TRANSISTOR 2SC2785		R137	1-249-421-11	CARBON 2.2K 5% 1/6W	
Q403	8-729-117-54	TRANSISTOR 2SA1175		R138	1-249-421-11	CARBON 2.2K 5% 1/6W	
Q405	8-729-178-54	TRANSISTOR 2SC2785		R139	1-249-421-11	CARBON 2.2K 5% 1/6W	
Q406	8-729-117-54	TRANSISTOR 2SA1175		R140	1-249-421-11	CARBON 2.2K 5% 1/6W	
Q407	8-729-178-54	TRANSISTOR 2SC2785		R141	1-247-717-11	CARBON 2.2K 5% 1/4W	
Q450	8-729-117-54	TRANSISTOR 2SA1175		R142	1-249-421-11	CARBON 2.2K 5% 1/6W	
Q451	8-729-178-54	TRANSISTOR 2SC2785		R143	1-249-429-11	CARBON 10K 5% 1/6W	
Q452	8-729-178-54	TRANSISTOR 2SC2785		R144	1-249-429-11	CARBON 10K 5% 1/6W	
Q453	8-729-117-54	TRANSISTOR 2SA1175		R145	1-249-437-11	CARBON 47K 5% 1/6W	
Q454	8-729-117-54	TRANSISTOR 2SA1175		R146	1-249-425-11	CARBON 4.7K 5% 1/6W	
Q455	8-729-178-54	TRANSISTOR 2SC2785		R147	1-249-441-11	CARBON 100K 5% 1/6W	
Q456	8-729-117-54	TRANSISTOR 2SA1175		R148	1-249-434-11	CARBON 27K 5% 1/6W	
Q457	8-729-178-54	TRANSISTOR 2SC2785		R149	1-249-427-11	CARBON 6.8K 5% 1/6W	
Q458	8-729-117-54	TRANSISTOR 2SA1175		R150	1-249-427-11	CARBON 6.8K 5% 1/6W	
Q459	8-729-117-54	TRANSISTOR 2SA1175					



**PVM-2730QM**  
RM-668

**B**

Ref.No.	Part No.	Description	Remark	Ref.No.	Part No.	Description	Remark
R151	1-249-423-11	CARBON	3.3K 5% 1/6W	R310	1-247-722-11	CARBON	5.6K 5% 1/4W
R152	1-249-421-11	CARBON	2.2K 5% 1/6W	R311	1-249-439-11	CARBON	68K 5% 1/6W
R153	1-249-421-11	CARBON	2.2K 5% 1/6W	R312	1-249-439-11	CARBON	68K 5% 1/6W
R154	1-249-421-11	CARBON	2.2K 5% 1/6W	R313	1-249-421-11	CARBON	2.2K 5% 1/6W
R155	1-247-717-11	CARBON	2.2K 5% 1/4W	R314	1-249-409-11	CARBON	220 5% 1/6W
R156	1-249-423-11	CARBON	3.3K 5% 1/6W	R315	1-249-433-11	CARBON	22K 5% 1/6W
R157	1-249-433-11	CARBON	22K 5% 1/6W	R316	1-249-435-11	CARBON	33K 5% 1/6W
R158	1-249-417-11	CARBON	1K 5% 1/6W	R317	1-249-421-11	CARBON	2.2K 5% 1/6W
R159	1-249-418-11	CARBON	1.2K 5% 1/6W	R318	1-249-409-11	CARBON	220 5% 1/6W
R160	1-249-397-11	CARBON	22 5% 1/6W	R319	1-249-433-11	CARBON	22K 5% 1/6W
R161	1-249-397-11	CARBON	22 5% 1/6W	R320	1-249-435-11	CARBON	33K 5% 1/6W
R162	1-249-397-11	CARBON	22 5% 1/6W	R321	1-249-435-11	CARBON	33K 5% 1/6W
R163	1-249-397-11	CARBON	22 5% 1/6W	R322	1-249-429-11	CARBON	10K 5% 1/6W
R164	1-249-397-11	CARBON	22 5% 1/6W	R323	1-249-441-11	CARBON	100K 5% 1/6W
R165	1-247-692-11	CARBON	22 5% 1/4W	R324	1-249-441-11	CARBON	100K 5% 1/6W
R166	1-249-397-11	CARBON	22 5% 1/6W	R326	1-249-441-11	CARBON	100K 5% 1/6W
R167	1-249-397-11	CARBON	22 5% 1/6W	R327	1-249-423-11	CARBON	3.3K 5% 1/6W
R168	1-249-397-11	CARBON	22 5% 1/6W	R328	1-249-423-11	CARBON	3.3K 5% 1/6W
R169	1-249-397-11	CARBON	22 5% 1/6W	R329	1-249-423-11	CARBON	3.3K 5% 1/6W
R170	1-249-397-11	CARBON	22 5% 1/6W	R330	1-249-417-11	CARBON	1K 5% 1/6W
R171	1-249-397-11	CARBON	22 5% 1/6W	R331	1-215-493-00	CARBON	1M 5% 1/6W
R172	1-249-397-11	CARBON	22 5% 1/6W	R332	1-215-479-00	CARBON	270K 5% 1/6W
R173	1-249-397-11	CARBON	22 5% 1/6W	R333	1-249-414-11	CARBON	560 5% 1/6W
R174	1-249-429-11	CARBON	10K 5% 1/6W	R334	1-215-473-00	CARBON	150K 5% 1/6W
R175	1-249-429-11	CARBON	10K 5% 1/6W	R335	1-249-413-11	CARBON	470 5% 1/6W
R176	1-247-725-11	CARBON	10K 5% 1/4W	R336	1-249-409-11	CARBON	220 5% 1/6W
R177	1-249-433-11	CARBON	22K 5% 1/6W	R337	1-249-427-11	CARBON	6.8K 5% 1/6W
R178	1-249-433-11	CARBON	22K 5% 1/6W	R338	1-249-421-11	CARBON	2.2K 5% 1/6W
R179	1-249-425-11	CARBON	4.7K 5% 1/6W	R339	1-249-417-11	CARBON	1K 5% 1/6W
R181	1-249-435-11	CARBON	33K 5% 1/6W	R340	1-249-421-11	CARBON	2.2K 5% 1/6W
R182	1-247-849-00	CARBON	5.6K 5% 1/6W	R341	1-249-422-11	CARBON	2.7K 5% 1/6W
R183	1-249-433-11	CARBON	22K 5% 1/6W	R342	1-249-428-11	CARBON	8.2K 5% 1/6W
R184	1-249-435-11	CARBON	33K 5% 1/6W	R343	1-249-433-11	CARBON	22K 5% 1/6W
R185	1-247-713-11	CARBON	1K 5% 1/4W	R345	1-249-439-11	CARBON	68K 5% 1/6W
R186	1-249-417-11	CARBON	1K 5% 1/6W	R346	1-247-849-00	CARBON	5.6K 5% 1/6W
R187	1-249-417-11	CARBON	1K 5% 1/6W	R350	1-249-413-11	CARBON	470 5% 1/6W
R188	1-249-417-11	CARBON	1K 5% 1/6W	R351	1-249-405-11	CARBON	100 5% 1/6W
R189	1-249-417-11	CARBON	1K 5% 1/6W	R352	1-249-433-11	CARBON	22K 5% 1/6W
R190	1-249-417-11	CARBON	1K 5% 1/6W	R353	1-249-420-11	CARBON	1.8K 5% 1/6W
R191	1-249-414-11	CARBON	560 5% 1/6W	R354	1-249-435-11	CARBON	33K 5% 1/6W
R192	1-249-417-11	CARBON	1K 5% 1/6W	R355	1-249-433-11	CARBON	22K 5% 1/6W
R193	1-249-423-11	CARBON	3.3K 5% 1/6W	R356	1-249-437-11	CARBON	47K 5% 1/6W
R194	1-249-423-11	CARBON	3.3K 5% 1/6W	R357	1-249-430-11	CARBON	12K 5% 1/6W
R195	1-249-421-11	CARBON	2.2K 5% 1/6W	R358	1-249-435-11	CARBON	33K 5% 1/6W
R196	1-249-414-11	CARBON	560 5% 1/6W	R359	1-215-473-00	CARBON	150K 5% 1/6W
R197	1-249-421-11	CARBON	2.2K 5% 1/6W	R360	1-247-708-11	CARBON	470 5% 1/4W
R198	1-249-405-11	CARBON	100 5% 1/6W	R361	1-249-417-11	CARBON	1K 5% 1/6W
R199	1-249-417-11	CARBON	1K 5% 1/6W	R362	1-249-429-11	CARBON	10K 5% 1/6W
R303	1-249-469-11	CARBON	100K 5% 1/4W	R363	1-249-417-11	CARBON	1K 5% 1/6W
R304	1-249-436-11	CARBON	39K 5% 1/6W	R364	1-249-412-11	CARBON	390 5% 1/6W
R305	1-215-473-00	CARBON	150K 5% 1/6W	R365	1-247-723-11	CARBON	6.8K 5% 1/4W
R306	1-249-435-11	CARBON	33K 5% 1/6W	R366	1-215-481-00	CARBON	330K 5% 1/6W
R308	1-249-409-11	CARBON	220 5% 1/6W	R367	1-249-437-11	CARBON	47K 5% 1/6W

**PVM-2730QM**  
**RM-668**
**B**

Ref.No.	Part No.	Description	Remark	Ref.No.	Part No.	Description	Remark
R368	1-249-428-11	CARBON	8.2K 5% 1/6W	R435	1-249-417-11	CARBON	1K 5% 1/6W
R370	1-249-419-11	CARBON	1.5K 5% 1/6W	R436	1-249-421-11	CARBON	2.2K 5% 1/6W
R371	1-249-435-11	CARBON	33K 5% 1/6W	R437	1-249-431-11	CARBON	15K 5% 1/6W
R372	1-249-441-11	CARBON	100K 5% 1/6W	R438	1-249-431-11	CARBON	15K 5% 1/6W
R373	1-249-435-11	CARBON	33K 5% 1/6W	R439	1-249-418-11	CARBON	1.2K 5% 1/6W
R374	1-249-435-11	CARBON	33K 5% 1/6W	R440	1-249-417-11	CARBON	1K 5% 1/6W
R375	1-249-423-11	CARBON	3.3K 5% 1/6W	R441	1-249-420-11	CARBON	1.8K 5% 1/6W
R377	1-249-409-11	CARBON	220 5% 1/6W	R442	1-249-421-11	CARBON	2.2K 5% 1/6W
R378	1-249-414-11	CARBON	560 5% 1/6W	R443	1-249-408-11	CARBON	180 5% 1/6W
R379	1-249-429-11	CARBON	10K 5% 1/6W	R444	1-249-439-11	CARBON	68K 5% 1/6W
R380	1-249-437-11	CARBON	47K 5% 1/6W	R445	1-249-431-11	CARBON	15K 5% 1/6W
R381	1-249-440-11	CARBON	82K 5% 1/6W	R446	1-249-417-11	CARBON	1K 5% 1/6W
R382	1-249-438-11	CARBON	56K 5% 1/6W	R447	1-249-414-11	CARBON	560 5% 1/6W
R383	1-215-479-00	CARBON	270K 5% 1/6W	R448	1-249-393-11	CARBON	10 5% 1/6W
R384	1-249-425-11	CARBON	4.7K 5% 1/6W	R449	1-249-418-11	CARBON	1.2K 5% 1/6W
R385	1-249-414-11	CARBON	560 5% 1/6W	R450	1-249-419-11	CARBON	1.5K 5% 1/6W
R386	1-249-429-11	CARBON	10K 5% 1/6W	R451	1-249-420-11	CARBON	1.8K 5% 1/6W
R387	1-249-417-11	CARBON	1K 5% 1/6W	R452	1-249-393-11	CARBON	10 5% 1/6W
R388	1-215-483-00	CARBON	390K 5% 1/6W	R453	1-249-419-11	CARBON	1.5K 5% 1/6W
R389	1-249-433-11	CARBON	22K 5% 1/6W	R454	1-249-419-11	CARBON	1.5K 5% 1/6W
R390	1-249-433-11	CARBON	22K 5% 1/6W	R456	1-249-409-11	CARBON	220 5% 1/6W
R391	1-249-437-11	CARBON	47K 5% 1/6W	R457	1-249-435-11	CARBON	33K 5% 1/6W
R392	1-249-431-11	CARBON	15K 5% 1/6W	R458	1-249-425-11	CARBON	4.7K 5% 1/6W
R393	1-249-435-11	CARBON	33K 5% 1/6W	R460	1-249-436-11	CARBON	39K 5% 1/6W
R394	1-249-429-11	CARBON	10K 5% 1/6W	R461	1-249-431-11	CARBON	15K 5% 1/6W
R395	1-247-895-00	CARBON	470K 5% 1/6W	R462	1-249-421-11	CARBON	2.2K 5% 1/6W
R396	1-249-419-11	CARBON	1.5K 5% 1/6W	R463	1-249-422-11	CARBON	2.7K 5% 1/6W
R398	1-249-420-11	CARBON	1.8K 5% 1/6W	R464	1-249-409-11	CARBON	220 5% 1/6W
R401	1-249-412-11	CARBON	390 5% 1/6W	R465	1-249-435-11	CARBON	33K 5% 1/6W
R402	1-247-717-11	CARBON	2.2K 5% 1/4W	R466	1-247-721-11	CARBON	4.7K 5% 1/4W
R403	1-249-427-11	CARBON	6.8K 5% 1/6W	R467	1-247-866-00	CARBON	30K 5% 1/6W
R404	1-249-429-11	CARBON	10K 5% 1/6W	R468	1-249-429-11	CARBON	10K 5% 1/6W
R406	1-249-412-11	CARBON	390 5% 1/6W	R470	1-249-420-11	CARBON	1.8K 5% 1/6W
R410	1-249-422-11	CARBON	2.7K 5% 1/6W	R471	1-249-425-11	CARBON	4.7K 5% 1/6W
R411	1-215-489-00	CARBON	680K 5% 1/6W	R472	1-249-420-11	CARBON	1.8K 5% 1/6W
R412	1-249-417-11	CARBON	1K 5% 1/6W	R473	1-249-425-11	CARBON	4.7K 5% 1/6W
R413	1-249-425-11	CARBON	4.7K 5% 1/6W	R474	1-249-417-11	CARBON	1K 5% 1/6W
R414	1-249-438-11	CARBON	56K 5% 1/6W	R475	1-249-405-11	CARBON	100 5% 1/6W
R415	1-249-429-11	CARBON	10K 5% 1/6W	R476	1-249-416-11	CARBON	820 5% 1/6W
R418	1-247-720-11	CARBON	3.9K 5% 1/4W	R477	1-249-413-11	CARBON	470 5% 1/6W
R419	1-249-429-11	CARBON	10K 5% 1/6W	R478	1-249-421-11	CARBON	2.2K 5% 1/6W
R420	1-249-412-11	CARBON	390 5% 1/6W	R479	1-249-421-11	CARBON	2.2K 5% 1/6W
R421	1-249-438-11	CARBON	56K 5% 1/6W	R480	1-249-429-11	CARBON	10K 5% 1/6W
R422	1-249-427-11	CARBON	6.8K 5% 1/6W	R481	1-249-429-11	CARBON	10K 5% 1/6W
R425	1-249-408-11	CARBON	180 5% 1/6W	R482	1-249-421-11	CARBON	2.2K 5% 1/6W
R426	1-249-435-11	CARBON	33K 5% 1/6W	R483	1-249-421-11	CARBON	2.2K 5% 1/6W
R427	1-249-423-11	CARBON	3.3K 5% 1/6W	R484	1-249-433-11	CARBON	22K 5% 1/6W
R429	1-249-429-11	CARBON	10K 5% 1/6W	R485	1-249-417-11	CARBON	1K 5% 1/6W
R430	1-249-423-11	CARBON	3.3K 5% 1/6W	R486	1-249-435-11	CARBON	33K 5% 1/6W
R431	1-249-425-11	CARBON	4.7K 5% 1/6W	R487	1-249-435-11	CARBON	33K 5% 1/6W
R432	1-249-428-11	CARBON	8.2K 5% 1/6W	R488	1-249-435-11	CARBON	33K 5% 1/6W
R433	1-249-428-11	CARBON	8.2K 5% 1/6W	R1100	1-249-405-11	CARBON	100 5% 1/6W
R434	1-249-418-11	CARBON	1.2K 5% 1/6W	R1101	1-249-437-11	CARBON	47K 5% 1/6W

**PVM-2730QM**  
RM-668

**B**

Ref.No.	Part No.	Description	Remark	Ref.No.	Part No.	Description	Remark
R1102	1-249-429-11	CARBON	10K 5% 1/6W	R1366	1-249-422-11	CARBON	2.7K 5% 1/6W
R1105	1-249-431-11	CARBON	15K 5% 1/6W	R1367	1-202-730-00	SO_ID	8.2M 10% 1/2W
R1106	1-249-399-11	CARBON	33 5% 1/6W	R1368	1-249-411-11	CARBON	330 5% 1/6W
R1107	1-249-437-11	CARBON	47K 5% 1/6W	R1369	1-249-413-11	CARBON	470 5% 1/6W
R1108	1-249-405-11	CARBON	100 5% 1/6W	R1370	1-249-409-11	CARBON	220 5% 1/6W
R1109	1-249-429-11	CARBON	10K 5% 1/6W	R1371	1-249-413-11	CARBON	470 5% 1/6W
R1110	1-249-430-11	CARBON	12K 5% 1/6W	R1375	1-249-425-11	CARBON	4.7K 5% 1/6W
R1111	1-249-437-11	CARBON	47K 5% 1/6W	R1376	1-215-479-00	CARBON	270K 5% 1/6W
R1112	1-249-441-11	CARBON	100K 5% 1/6W	R1377	1-249-434-11	CARBON	27K 5% 1/6W
R1113	1-249-409-11	CARBON	220 5% 1/6W	R1378	1-249-410-11	CARBON	270 5% 1/6W
R1114	1-249-393-11	CARBON	10 5% 1/6W	R1379	1-249-405-11	CARBON	100 5% 1/6W
R1115	1-249-425-11	CARBON	4.7K 5% 1/6W	R1381	1-249-434-11	CARBON	27K 5% 1/6W
R1304	1-247-704-11	CARBON	220 5% 1/4W	R1382	1-249-424-11	CARBON	3.9K 5% 1/6W
R1305	1-247-704-11	CARBON	220 5% 1/4W	R1383	1-249-419-11	CARBON	1.5K 5% 1/6W
R1306	1-247-704-11	CARBON	220 5% 1/4W	R1384	1-249-411-11	CARBON	330 5% 1/6W
R1307	1-247-704-11	CARBON	220 5% 1/4W	R1385	1-249-393-11	CARBON	10 5% 1/6W
R1308	1-249-429-11	CARBON	10K 5% 1/6W	R1386	1-249-421-11	CARBON	2.2K 5% 1/6W
R1309	1-247-704-11	CARBON	220 5% 1/4W	R1388	1-249-425-11	CARBON	4.7K 5% 1/6W
R1310	1-249-431-11	CARBON	15K 5% 1/6W	R1389	1-249-429-11	CARBON	10K 5% 1/6W
R1311	1-249-409-11	CARBON	220 5% 1/6W	R1390	1-249-421-11	CARBON	2.2K 5% 1/6W
R1312	1-249-440-11	CARBON	82K 5% 1/6W	R1401	1-249-433-11	CARBON	22K 5% 1/6W
R1313	1-247-725-11	CARBON	10K 5% 1/4W	R1402	1-249-433-11	CARBON	22K 5% 1/6W
R1314	1-249-429-11	CARBON	10K 5% 1/6W	R1403	1-249-433-11	CARBON	22K 5% 1/6W
R1315	1-249-435-11	CARBON	33K 5% 1/6W	R1404	1-249-433-11	CARBON	22K 5% 1/6W
R1316	1-249-435-11	CARBON	33K 5% 1/6W	R1405	1-249-437-11	CARBON	47K 5% 1/6W
R1317	1-249-417-11	CARBON	1K 5% 1/6W	R1406	1-249-437-11	CARBON	47K 5% 1/6W
R1318	1-249-417-11	CARBON	1K 5% 1/6W	R1407	1-249-437-11	CARBON	47K 5% 1/6W
R1319	1-249-417-11	CARBON	1K 5% 1/6W	R1408	1-249-437-11	CARBON	47K 5% 1/6W
R1320	1-249-409-11	CARBON	220 5% 1/6W	R1409	1-247-704-11	CARBON	220 5% 1/4W
R1322	1-249-433-11	CARBON	22K 5% 1/6W	R1410	1-249-421-11	CARBON	2.2K 5% 1/6W
R1323	1-249-429-11	CARBON	10K 5% 1/6W	R1411	1-247-725-11	CARBON	10K 5% 1/4W
R1324	1-249-435-11	CARBON	33K 5% 1/6W	R1412	1-249-429-11	CARBON	10K 5% 1/6W
R1325	1-249-409-11	CARBON	220 5% 1/6W	R1413	1-249-421-11	CARBON	2.2K 5% 1/6W
R1326	1-249-409-11	CARBON	220 5% 1/6W	<u>VARIABLE RESISTOR</u>			
R1327	1-215-493-00	CARBON	1M 5% 1/6W	RV301	1-230-626-41	RES, ADJ, CARBON	470
R1328	1-249-417-11	CARBON	1K 5% 1/6W	RV302	1-230-631-11	RES, ADJ, CARBON	22K
R1329	1-247-895-00	CARBON	470K 5% 1/6W	RV303	1-230-630-11	RES, ADJ, CARBON	10K
R1330	1-249-417-11	CARBON	1K 5% 1/6W	RV318	1-230-271-00	RES, ADJ, CARBON	4.7K
R1331	1-247-849-00	CARBON	5.6K 5% 1/6W	RV1301	1-230-628-11	RES, ADJ, CARBON	2.2K
R1332	1-249-437-11	CARBON	47K 5% 1/6W	RV1302	1-230-628-11	RES, ADJ, CARBON	2.2K
R1333	1-249-418-11	CARBON	1.2K 5% 1/6W	<u>TRANSFORMER</u>			
R1334	1-249-429-11	CARBON	10K 5% 1/6W	T301	1-404-524-11	DAT	
R1335	1-249-409-11	CARBON	220 5% 1/6W	T401	1-404-584-11	COIL	
R1337	1-249-405-11	CARBON	100 5% 1/6W	<u>CRYSTAL</u>			
R1339	1-249-414-11	CARBON	560 5% 1/6W	X101	1-567-192-11	OSCILLATOR, CERAMIC	
R1340	1-249-409-11	CARBON	220 5% 1/6W	X358	1-567-505-11	OSCILLATOR, CRYSTAL	
R1341	1-249-437-11	CARBON	47K 5% 1/6W	X443	1-567-504-11	OSCILLATOR, CRYSTAL	
R1342	1-249-405-11	CARBON	100 5% 1/6W				
R1344	1-215-424-00	CARBON	1.3K 5% 1/6W				
R1345	1-249-409-11	CARBON	220 5% 1/6W				
R1347	1-249-405-11	CARBON	100 5% 1/6W				
R1360	1-249-414-11	CARBON	560 5% 1/6W				
R1362	1-249-414-11	CARBON	560 5% 1/6W				
R1363	1-247-901-00	CARBON	820K 5% 1/6W				
R1364	1-249-424-11	CARBON	3.9K 5% 1/6W				
R1365	1-249-437-11	CARBON	47K 5% 1/6W				



**PVM-2730QM**  
RM-668

**FB**

**FA**

Ref.No.	Part No.	Description	Remark	Ref.No.	Part No.	Description	Remark
	*1-621-546-12	FB BOARD *****		C676	1-123-364-00	ELECT	1000MF 20% 50V
		<u>CONNECTOR</u>		C677	1-136-173-00	FILM	0.47MF 5% 50V (AEP, AUS ONLY)
FB1	1-506-348-XX	4P PLUG		C681	1-136-153-00	FILM	0.01MF 5% 50V
FB2	*1-508-784-00	1P PLUG		C682	1-130-062-00	FILM	0.0056MF 5% 630V
		<u>NEON LAMP</u>		C686	1-136-173-00	FILM	0.47MF 5% 50V (AEP, AUS ONLY)
NL1691	1-519-237-11	LAMP, NEON				<u>DIODE</u>	
*****				D601	8-719-503-06	DIODE S3W860Z	
	*A-1245-387-A	FA BOARD, COMPLETE (AEP, AUS ONLY) *****		D602	8-719-100-65	DIODE RD12E-B2	
	*A-1245-411-A	FA BOARD COMPLETE (WG ONLY) *****		D605	8-719-924-06	DIODE ERC24-06S	
		<u>CAPACITOR</u>		D607	8-719-815-55	DIODE 1S1555	
C601	△ 1-136-360-51	FILM	0.22MF 20% 250V	D608	8-719-815-55	DIODE 1S1555	
C607	1-161-738-00	CERAMIC	0.0047MF 20% 400V	D609	8-719-925-06	DIODE ERC25-06S	
C608	△ 1-161-738-12	CERAMIC	0.0047MF 20% 400V	D651	8-719-300-53	DIODE CTU-38S	
C610	1-125-222-21	ELECT(BLOCK)	330MF 20% 400V	D653	8-719-300-59	DIODE CTU-12S	
C617	1-161-738-00	CERAMIC	0.0047MF 20% 400V	D654	8-719-300-59	DIODE CTU-12S	
C618	1-102-030-00	CERAMIC	330PF 10% 500V	*4-347-706-00	HEAT SINK (TR); D654		
C619	1-129-743-00	FILM	0.022MF 10% 400V	D655	8-719-000-12	DIODE MC931	
C620	1-124-126-00	ELECT	47MF 20% 16V	D656	8-719-300-59	DIODE CTU-12S	
C621	1-130-062-00	FILM	0.0056MF 5% 630V	*4-347-706-00	HEAT SINK (TR); D656		
C622	1-124-344-91	ELECT	22MF 20% 100V	D658	8-719-110-03	DIODE RD7.5ES-B2	
C623	1-161-973-00	CERAMIC	220PF 10% 400V	D659	8-719-110-03	DIODE RD7.5ES-B2	
C624	1-161-973-00	CERAMIC	220PF 10% 400V	D660	8-719-815-55	DIODE 1S1555	
C632	1-102-002-00	CERAMIC	680PF 10% 500V	D661	8-719-815-55	DIODE 1S1555	
C651	1-162-115-00	CERAMIC	330PF 10% 2KV	D663	8-719-109-93	DIODE RD6.2ES-B2	
C652	1-125-294-00	ELECT(BLOCK)	560MF 20% 160V	D664	8-719-100-65	DIODE RD12E-B2	
C653	1-123-364-00	ELECT	1000MF 20% 50V	D665	8-719-300-59	DIODE CTU-12S	
C654	1-123-338-00	ELECT	2200MF 20% 25V	D666	8-719-911-19	DIODE 1S1119	
C655	1-123-338-00	ELECT	2200MF 20% 25V	D667	8-719-911-55	DIODE U05G	
C656	1-162-318-11	CERAMIC	0.001MF 10% 500V			<u>FUSE</u>	
C658	1-124-126-00	ELECT	47MF 20% 25V	F601	△ 1-532-299-11	FUSE, TIME-LAG 5A/250V	
C659	1-102-030-00	CERAMIC	330PF 10% 500V	*1-533-189-11	HOLDER, FUSE; F601		
C661	1-123-333-00	ELECT	100MF 20% 25V			<u>CONNECTOR</u>	
C662	1-136-332-11	FILM	0.01MF 5% 630V	FA1	*1-506-348-XX	3P PLUG (L)	
C663	1-124-038-00	ELECT	1MF 20% 50V	FA2	*1-506-348-XX	3P PLUG (L)	
C664	1-124-038-00	ELECT	1MF 20% 50V	FA3	*1-508-765-00	3P PLUG (M)	
C666	1-124-123-91	ELECT	100MF 20% 10V	FA4	*1-508-767-00	5P PLUG	
C667	1-102-121-00	CERAMIC	0.0022MF 10% 50V	FA6	*1-508-765-00	3P PLUG (M)	
C668	△ 1-136-360-51	FILM	0.22MF 20% 250V	FA7	*1-566-058-11	PIN, CONNECTOR 6P	
C669	△ 1-161-738-12	CERAMIC	0.0047MF 20% 400V	FA8	*1-566-054-11	PIN, CONNECTOR 2P	
C670	△ 1-161-738-12	CERAMIC	0.0047MF 20% 400V	FA9	*1-564-529-11	CONNECTOR, BOARD TO BOARD 5P	
C671	△ 1-161-738-12	CERAMIC	0.0047MF 20% 400V	FA10	*1-564-529-11	CONNECTOR, BOARD TO BOARD 5P	
C672	△ 1-161-738-12	CERAMIC	0.0047MF 20% 400V			<u>IC</u>	
C673	△ 1-161-738-12	CERAMIC	0.0047MF 20% 400V	IC602	8-719-800-82	DIODE TLP581	
C674	△ 1-136-360-51	FILM	0.22MF 20% 250V	IC651	8-759-145-58	IC UPC4558C	
						<u>COIL</u>	
				L601	1-407-365-00	COIL, CHOKE	
				L652	1-407-780-00	COIL, SPOOK CHOKE	
				L653	1-407-780-00	COIL, SPOOK CHOKE	
						<u>IC LINK</u>	
				PS651	1-532-675-00	LINK, IC	
				PS652	1-532-686-00	LINK, IC	

The components identified by shading and mark △ are critical for safety. Replace only with part number specified.

**PVM-2730QM**  
RM-668



Ref.No.	Part No.	Description	Remark	Ref.No.	Part No.	Description	Remark
PS653	1-532-686-00	LINK, IC					
PS654	1-532-637-00	LINK, IC					
<u>TRANSISTOR</u>				<u>VARIABLE RESISTOR</u>			
Q601	8-729-195-82	TRANSISTOR 2SC2958		RV651	1-230-230-00	RES, ADJ, CERAMIC CARBON 1K	
Q602	8-729-802-07	TRANSISTOR 2SD1403-CA		RV652	1-226-702-00	RES, ADJ, METAL GLAZE 2.2K	
	3-701-833-01	HEAD, WASHER, TAPPING SCREW; Q602		<u>TRANSFORMER</u>			
	4-365-216-00	SPACER, MICA; Q602		T601	△ 1-421-758-11	TRANSFORMER, LINE FILTER (LFT)	(AEP, AUS ONLY)
Q651	8-729-109-53	TRANSISTOR 2SD795A		T601	△ 1-421-974-11	TRANSFORMER, LINE FILTER (WG ONLY)	
	*4-347-706-00	HEAT SINK (TR); Q651		T602	△ 1-421-758-11	TRANSFORMER, LINE FILTER (LFT)	(AEP, AUS ONLY)
Q652	8-729-178-54	TRANSISTOR 2SC2785		T602	△ 1-421-974-11	TRANSFORMER, LINE FILTER (WG ONLY)	
Q653	8-719-000-28	THYRISTOR CRO2AM-8		T603	△ 1-437-079-11	TRANSFORMER, HORIZONTAL DRIVE	
<u>RESISTOR</u>				<u>THERMISTOR</u>			
R601	△ 1-217-328-11	WIREWOUND	2.7 10% 7W F	TH651	1-800-944-00	THERMISTOR TH-4700	
R604	△ 1-247-289-11	CARBON	8.2M 5% 1W	THP601	△ 1-806-387-11	THERMISTOR (POSITIVE)	
R609	1-215-894-11	METAL OXIDE	2.2K 5% 2W F	*****			
R612	1-215-904-11	METAL OXIDE	100K 5% 2W F		*1-621-548-11	FC BOARD	*****
R613	1-215-895-11	METAL OXIDE	3.3K 5% 2W F	<u>CAPACITOR</u>			
R614	1-216-458-11	METAL OXIDE	1.8K 5% 2W F	C611	1-106-220-00	MYLAR	0.1MF 10% 100V
R615	1-205-737-00	CEMENTED	30 10% 7W	C612	1-106-351-00	MYLAR	0.0022MF 5% 50V
R623	1-247-718-11	CARBON	2.7K 5% 1/4W	C613	1-123-356-00	ELECT	10MF 20% 16V
R627	1-249-409-11	CARBON	220 5% 1/6W	C614	1-124-125-91	ELECT	22MF 20% 25V
R628	1-215-479-00	CARBON	270K 5% 1/6W	C616	1-123-875-91	ELECT	10MF 20% 50V
R629	1-249-427-11	CARBON	6.8K 5% 1/6W	C625	1-123-380-00	ELECT	1MF 20% 50V
R630	1-247-692-11	CARBON	22 5% 1/4W F	C627	1-136-153-00	FILM	0.01MF 5% 50V
R631	1-217-352-11	WIREWOUND	390 10% 7W F	C628	1-102-820-00	CERAMIC	330PF 5% 50V
R632	1-217-192-00	WIREWOUND	0.22 10% 2W F	C634	1-106-220-00	MYLAR	0.1MF 10% 100V
R652	1-216-430-11	METAL OXIDE	390 5% 1W F	<u>DIODE</u>			
R653	1-249-425-11	CARBON	4.7K 5% 1/6W	D603	8-719-815-55	DIODE 1S1555	
R654	1-216-464-11	METAL OXIDE	18K 5% 2W F	D604	8-759-157-40	IC UPC574J	
R662	1-249-436-11	CARBON	39K 5% 1/6W	D606	8-719-911-19	DIODE 1SS119	
R663	1-249-430-11	CARBON	12K 5% 1/6W	<u>CONNECTOR</u>			
R664	1-249-441-11	CARBON	100K 5% 1/6W	FC1	*1-562-516-11	CONNECTOR, BOARD TO BOARD 5P	
R665	1-215-436-00	METAL	4.3K 1% 1/6W	FC2	*1-562-516-11	CONNECTOR, BOARD TO BOARD 5P	
R666	1-247-713-11	CARBON	1K 5% 1/4W	<u>IC</u>			
R667	1-247-703-11	CARBON	180 5% 1/4W	IC601	8-759-100-75	IC UPC1394C	
R669	1-247-720-11	CARBON	3.9K 5% 1/4W	<u>TRANSISTOR</u>			
R670	1-249-421-11	CARBON	2.2K 5% 1/6W	Q603	8-729-178-54	TRANSISTOR 2SC2785	
R671	△ 1-205-758-11	CEMENTED	100 10% 10W F	<u>RESISTOR</u>			
R673	△ 1-244-945-91	CARBON	1M 5% 1/2W	R605	1-215-481-00	CARBON	330K 5% 1/6W
R677	1-216-346-00	METAL OXIDE	0.56 5% 1W F	R606	1-249-433-11	CARBON	22K 5% 1/6W
R678	1-247-749-11	CARBON	560 5% 1/2W F	R608	1-249-421-11	CARBON	2.2K 5% 1/6W
R680	1-217-353-11	WIREWOUND	470 10% 7W F	R611	1-215-457-00	METAL	33K 1% 1/6W
R681	1-246-403-75	CARBON	1.2 5% 1/4W (AEP, AUS ONLY)	R616	1-247-862-00	CARBON	20K 5% 1/6W
	1-249-429-11	CARBON	10K 5% 1/6W (WG ONLY)	R621	1-249-429-11	CARBON	10K 5% 1/6W
R682	1-249-429-11	CARBON	10K 5% 1/6W (AEP, AUS ONLY)	R622	1-249-433-11	CARBON	22K 5% 1/6W
R683	1-216-488-11	METAL OXIDE	18K 5% 3W F	R624	1-249-425-11	CARBON	4.7K 5% 1/6W
R684	1-246-403-75	CARBON	1.2 5% 1/4W (AEP, AUS ONLY)	R625	1-249-441-11	CARBON	100K 5% 1/6W
R684	1-246-405-00	CARBON	1.5 5% 1/4W (WG ONLY)	R626	1-247-712-11	CARBON	820 5% 1/4W
R685	1-249-440-11	CARBON	82K 5% 1/6W (AEP, AUS ONLY)				
R689	1-249-429-11	CARBON	10K 5% 1/6W (AEP, AUS ONLY)				

The components identified by shading and mark △ are critical for safety. Replace only with part number specified.

**PVM-2730QM**  
**RM-668**
**FC**
**QA**

Ref.No.	Part No.	Description	Remark	Ref.No.	Part No.	Description	Remark
R633	1-215-477-00	CARBON 220K 5% 1/6W		C1738	1-102-973-00	CERAMIC 100PF 5% 50V	
R634	1-249-437-11	CARBON 47K 5% 1/6W		C1739	1-101-001-00	CERAMIC 0.001MF 50V	
R636	1-215-471-00	METAL 120K 1% 1/6W		C1740	1-101-001-00	CERAMIC 0.001MF 50V	
R637	1-249-433-11	CARBON 22K 5% 1/6W		C1741	1-101-884-00	CERAMIC 56PF 5% 50V	
R638	1-215-435-00	METAL 3.9K 1% 1/6W		C1743	1-102-973-00	CERAMIC 100PF 5% 50V	
R639	1-249-425-11	CARBON 4.7K 5% 1/6W		C1744	1-102-973-00	CERAMIC 100PF 5% 50V	
R674	1-249-440-11	CARBON 82K 5% 1/6W		C1747	1-102-965-00	CERAMIC 39PF 5% 50V	
<u>THERMISTOR</u>							
TH601A	1-800-944-11	THERMISTOR TH-4700		C1748	1-102-965-00	CERAMIC 39PF 5% 50V	
*****							
*A-1270-212-A	QA BOARD, COMPLETE						
*****							
1-537-075-11	TERMINAL BOARD, INPUT/OUTPUT						
1-537-076-11	TERMINAL BOARD, INPUT/OUTPUT						
<u>CAPACITOR</u>							
C1700	1-124-236-00	ELECT 47MF 20% 16V		D1703	8-719-100-38	DIODE RD6.2E-B2	
C1701	1-124-247-00	ELECT 10MF 20% 25V		D1706	8-719-100-38	DIODE RD6.2E-B2	
C1702	1-124-247-00	ELECT 10MF 20% 25V		D1707	8-719-100-38	DIODE RD6.2E-B2	
C1703	1-124-236-00	ELECT 47MF 20% 16V		D1708	8-719-100-38	DIODE RD6.2E-B2	
C1704	1-124-247-00	ELECT 10MF 20% 25V		D1709	8-719-100-38	DIODE RD6.2E-B2	
C1705	1-124-247-00	ELECT 10MF 20% 25V		D1710	8-719-100-38	DIODE RD6.2E-B2	
C1706	1-124-247-00	ELECT 10MF 20% 25V		D1711	8-719-100-38	DIODE RD6.2E-B2	
C1707	1-124-247-00	ELECT 10MF 20% 25V		<u>JACK</u>			
C1708	1-124-236-00	ELECT 47MF 20% 16V		J25	1-561-534-41	SOCKET 21P	
C1709	1-124-247-00	ELECT 10MF 20% 25V		<u>CONNECTOR</u>			
C1710	1-102-965-00	CERAMIC 39PF 5% 50V		QA1	*1-566-055-11	PIN, CONNECTOR 3P	
C1712	1-102-965-00	CERAMIC 39PF 5% 50V		QA2	*1-560-278-00	PLUG, CONNECTOR 3P	
C1714	1-102-965-00	CERAMIC 39PF 5% 50V		<u>RESISTOR</u>			
C1715	1-124-247-00	ELECT 10MF 20% 25V		R1700	1-247-104-00	CARBON 75 5% 1/4W	
C1716	1-124-247-00	ELECT 10MF 20% 25V		R1701	1-249-417-11	CARBON 1K 5% 1/6W	
C1717	1-124-247-00	ELECT 10MF 20% 25V		R1702	1-247-901-00	CARBON 820K 5% 1/6W	
C1718	1-124-247-00	ELECT 10MF 20% 25V		R1703	1-249-417-11	CARBON 1K 5% 1/6W	
C1719	1-124-236-00	ELECT 47MF 20% 16V		R1704	1-247-901-00	CARBON 820K 5% 1/6W	
C1720	1-124-236-00	ELECT 47MF 20% 16V		R1705	1-247-104-00	CARBON 75 5% 1/4W	
C1721	1-124-236-00	ELECT 47MF 20% 16V		R1706	1-249-417-11	CARBON 1K 5% 1/6W	
C1722	1-124-236-00	ELECT 47MF 20% 16V		R1707	1-247-901-00	CARBON 820K 5% 1/6W	
C1723	1-124-247-00	ELECT 10MF 20% 25V		R1708	1-249-417-11	CARBON 1K 5% 1/6W	
C1726	1-102-973-00	CERAMIC 100PF 5% 50V		R1709	1-247-901-00	CARBON 820K 5% 1/6W	
C1727	1-102-973-00	CERAMIC 100PF 5% 50V		R1710	1-247-104-00	CARBON 75 5% 1/4W	
C1728	1-102-973-00	CERAMIC 100PF 5% 50V		R1711	1-249-414-11	CARBON 560 5% 1/6W	
C1729	1-102-973-00	CERAMIC 100PF 5% 50V		R1712	1-215-485-00	CARBON 470K 5% 1/6W	
C1730	1-101-884-00	CERAMIC 56PF 5% 50V		R1713	1-249-414-11	CARBON 560 5% 1/6W	
C1731	1-102-973-00	CERAMIC 100PF 5% 50V		R1714	1-215-485-00	CARBON 470K 5% 1/6W	
C1732	1-102-973-00	CERAMIC 100PF 5% 50V					
C1733	1-101-884-00	CERAMIC 56PF 5% 50V					
C1734	1-101-001-00	CERAMIC 0.001MF 50V					
C1737	1-101-884-00	CERAMIC 56PF 5% 50V					

The components identified by shading and mark **A** are critical for safety. Replace only with part number specified.



**PVM-2730QM**  
RM-668

**QA**

**QB**

Ref.No.	Part No.	Description	Remark	Ref.No.	Part No.	Description	Remark
R1715	1-247-104-00	CARBON	75 5% 1/4W	SW5	1-570-145-11	SWITCH, SLIDE	
R1716	1-249-417-11	CARBON	1K 5% 1/6W	*****			
R1717	1-247-901-00	CARBON	820K 5% 1/6W		*A-1270-213-A	QB BOARD, COMPLETE	
R1718	1-247-708-11	CARBON	470 5% 1/4W		*****		
R1719	1-249-408-11	CARBON	180 5% 1/6W		CAPACITOR		
R1720	1-249-421-11	CARBON	2.2K 5% 1/6W	C1779	1-124-475-11	ELECT	470MF 20% 16V
R1721	1-247-708-11	CARBON	470 5% 1/4W	C1781	1-101-004-00	CERAMIC	0.01MF 50V
R1722	1-249-408-11	CARBON	180 5% 1/6W	C1788	1-124-247-00	ELECT	10MF 20% 25V
R1723	1-249-421-11	CARBON	2.2K 5% 1/6W	C1789	1-124-247-00	ELECT	10MF 20% 25V
R1724	1-247-708-11	CARBON	470 5% 1/4W	C1790	1-124-236-00	ELECT	47MF 20% 16V
R1725	1-249-408-11	CARBON	180 5% 1/6W	C1791	1-124-236-00	ELECT	47MF 20% 16V
R1726	1-215-485-00	CARBON	470K 5% 1/6W	C1792	1-102-959-00	CERAMIC	22PF 5% 50V
R1727	1-247-713-11	CARBON	1K 5% 1/4W	C1793	1-101-004-00	CERAMIC	0.01MF 50V
R1728	1-247-901-00	CARBON	820K 5% 1/6W	C1794	1-124-236-00	ELECT	47MF 20% 16V
R1729	1-247-710-11	CARBON	560 5% 1/4W	C1795	1-101-004-00	CERAMIC	0.01MF 50V
R1730	1-247-895-00	CARBON	470K 5% 1/6W	C1799	1-124-471-00	ELECT	1000MF 20% 6.3V
R1731	1-247-713-11	CARBON	1K 5% 1/4W	C1800	1-124-236-00	ELECT	47MF 20% 16V
R1732	1-247-901-00	CARBON	820K 5% 1/6W	C1801	1-124-475-11	ELECT	470MF 20% 16V
R1733	1-247-104-00	CARBON	75 5% 1/4W	C1802	1-102-971-00	CERAMIC	82PF 5% 50V
R1735	1-247-104-00	CARBON	75 5% 1/4W	C1803	1-124-471-00	ELECT	1000MF 20% 6.3V
R1736	1-247-104-00	CARBON	75 5% 1/4W	C1804	1-102-971-00	CERAMIC	82PF 5% 50V
R1737	1-247-104-00	CARBON	75 5% 1/4W	C1806	1-101-361-00	CERAMIC	150PF 5% 50V
R1738	1-249-417-11	CARBON	1K 5% 1/6W	C1807	1-102-111-00	CERAMIC	270PF 10% 50V
R1739	1-247-104-00	CARBON	75 5% 1/4W	C1808	1-101-004-00	CERAMIC	0.01MF 50V
R1740	1-249-429-11	CARBON	10K 5% 1/6W	C1810	1-124-236-00	ELECT	47MF 20% 16V
R1742	1-249-412-11	CARBON	390 5% 1/6W	C1811	1-124-236-00	ELECT	47MF 20% 16V
R1743	1-247-713-11	CARBON	1K 5% 1/4W	C1813	1-124-236-00	ELECT	47MF 20% 16V
R1744	1-247-901-00	CARBON	820K 5% 1/6W	C1820	1-124-236-00	ELECT	47MF 20% 16V
R1745	1-249-429-11	CARBON	10K 5% 1/6W	C1821	1-101-004-00	CERAMIC	0.01MF 50V
R1746	1-249-406-11	CARBON	120 5% 1/6W	C1823	1-124-268-00	ELECT	0.22MF 20% 50V
R1750	1-249-417-11	CARBON	1K 5% 1/6W	C1824	1-124-268-00	ELECT	0.22MF 20% 50V
R1751	1-247-104-00	CARBON	75 5% 1/4W	C1825	1-124-268-00	ELECT	0.22MF 20% 50V
R1752	1-249-401-11	CARBON	47 5% 1/6W	C1827	1-101-880-00	CERAMIC	47PF 5% 50V
R1753	1-249-401-11	CARBON	47 5% 1/6W	C1828	1-123-611-00	ELECT	1MF 20% 50V
R1754	1-249-401-11	CARBON	47 5% 1/6W	C1830	1-124-236-00	ELECT	47MF 20% 16V
R1755	1-249-418-11	CARBON	1.2K 5% 1/6W	C1831	1-101-004-00	CERAMIC	0.01MF 50V
R1756	1-249-418-11	CARBON	1.2K 5% 1/6W	C1832	1-124-236-00	ELECT	47MF 20% 16V
R1760	1-215-483-00	CARBON	390K 5% 1/6W	C1833	1-101-004-00	CERAMIC	0.01MF 50V
R1761	1-215-483-00	CARBON	390K 5% 1/6W	C1834	1-101-004-00	CERAMIC	0.01MF 50V
R1762	1-215-483-00	CARBON	390K 5% 1/6W	C1835	1-124-236-00	ELECT	47MF 20% 16V
R1763	1-215-483-00	CARBON	390K 5% 1/6W	C1837	1-124-963-11	ELECT	33MF 20% 16V
R1768	1-249-406-11	CARBON	120 5% 1/6W	C1838	1-101-880-00	CERAMIC	47PF 5% 50V
R1769	1-247-710-11	CARBON	560 5% 1/4W	C1839	1-124-236-00	ELECT	47MF 20% 16V
<u>SWITCH</u>				<u>DIODE</u>			
SW1	1-570-145-11	SWITCH, SLIDE		C1840	1-101-004-00	CERAMIC	0.01MF 50V
SW2	1-570-145-11	SWITCH, SLIDE		D1770	8-719-911-19	DIODE 1SS119	
SW3	1-570-145-11	SWITCH, SLIDE		D1771	8-719-911-19	DIODE 1SS119	
SW4	1-570-145-11	SWITCH, SLIDE					

PVMI-2730QMI  
RM-668

QB

Ref.No.	Part No.	Description	Remark	Ref.No.	Part No.	Description	Remark
D1772	8-719-911-19	DIODE 1SS119		Q1799	8-729-178-54	TRANSISTOR 2SC2785	
D1773	8-719-911-19	DIODE 1SS119		Q1802	8-729-900-36	TRANSISTOR DTC124ES	
D1774	8-719-911-19	DIODE 1SS119		Q1803	8-729-178-54	TRANSISTOR 2SC2785	
D1775	8-719-911-19	DIODE 1SS119		Q1804	8-729-178-54	TRANSISTOR 2SC2785	
D1776	8-719-911-19	DIODE 1SS119		Q1805	8-729-178-54	TRANSISTOR 2SC2785	
D1777	8-719-911-19	DIODE 1SS119		Q1806	8-729-178-54	TRANSISTOR 2SC2785	
D1780	8-719-911-19	DIODE 1SS119		Q1807	8-729-178-54	TRANSISTOR 2SC2785	
D1781	8-719-911-19	DIODE 1SS119		Q1808	8-729-178-54	TRANSISTOR 2SC2785	
D1782	8-719-911-19	DIODE 1SS119		Q1809	8-729-178-54	TRANSISTOR 2SC2785	
D1783	8-719-931-06	DIODE EQ801-06		Q1810	8-729-178-54	TRANSISTOR 2SC2785	
D1784	8-719-110-14	DIODE RD9.1ES-B3		Q1811	8-729-178-54	TRANSISTOR 2SC2785	
D1787	8-719-109-90	DIODE RD5.6ES-B3		Q1812	8-729-178-54	TRANSISTOR 2SC2785	
D1788	8-719-911-19	DIODE 1SS119		Q1813	8-729-178-54	TRANSISTOR 2SC2785	
D1789	8-719-911-19	DIODE 1SS119		Q1814	8-729-178-54	TRANSISTOR 2SC2785	
		<u>IC</u>		Q1815	8-729-178-54	TRANSISTOR 2SC2785	
IC1770	8-759-800-65	IC LA7910		Q1816	8-729-178-54	TRANSISTOR 2SC2785	
IC1771	8-759-140-66	IC UPD4066BC		Q1817	8-729-178-54	TRANSISTOR 2SC2785	
IC1772	8-759-102-37	IC UPD4052BC		Q1818	8-729-900-36	TRANSISTOR DTC124ES	
IC1773	8-759-102-37	IC UPD4052BC		Q1819	8-729-900-36	TRANSISTOR DTC124ES	
IC1774	8-759-900-86	IC SN74LS86N		Q1820	8-729-900-36	TRANSISTOR DTC124ES	
IC1775	8-759-901-38	IC SN74LS138N		Q1822	8-729-178-54	TRANSISTOR 2SC2785	
IC1776	8-759-900-09	IC SN74LS09N		Q1823	8-729-178-54	TRANSISTOR 2SC2785	
		<u>COIL</u>		Q1825	8-729-178-54	TRANSISTOR 2SC2785	
L1770	1-408-239-00	MICRO INDUCTOR 4.7MMH		Q1826	8-729-178-54	TRANSISTOR 2SC2785	
		<u>TRANSISTOR</u>		Q1827	8-729-178-54	TRANSISTOR 2SC2785	
Q1773	8-729-117-54	TRANSISTOR 2SA1175		Q1828	8-729-178-54	TRANSISTOR 2SC2785	
Q1774	8-729-178-54	TRANSISTOR 2SC2785		Q1829	8-729-178-54	TRANSISTOR 2SC2785	
Q1775	8-729-117-54	TRANSISTOR 2SA1175		Q1830	8-729-177-43	TRANSISTOR 2SD774	
Q1776	8-729-178-54	TRANSISTOR 2SC2785		Q1831	8-729-900-36	TRANSISTOR DTC124ES	
Q1777	8-729-178-54	TRANSISTOR 2SC2785		Q1832	8-729-178-54	TRANSISTOR 2SC2785	
Q1778	8-729-178-54	TRANSISTOR 2SC2785		Q1891	8-729-900-36	TRANSISTOR DTC124ES	
Q1779	8-729-117-54	TRANSISTOR 2SA1175				<u>CONNECTOR</u>	
Q1780	8-729-117-54	TRANSISTOR 2SA1175		QB11	*1-566-058-11	PIN, CONNECTOR 6P	
Q1781	8-729-178-54	TRANSISTOR 2SC2785		QB12	*1-566-056-11	PIN, CONNECTOR 4P	
Q1784	8-729-900-89	TRANSISTOR DTC144ES		QB13	*1-566-056-11	PIN, CONNECTOR 4P	
Q1785	8-729-178-54	TRANSISTOR 2SC2785		QB14	*1-566-054-11	PIN, CONNECTOR 2P	
Q1786	8-729-178-54	TRANSISTOR 2SC2785		QB15	*1-566-057-11	PIN, CONNECTOR 5P	
Q1787	8-729-177-43	TRANSISTOR 2SD774		QB16	*1-566-056-11	PIN, CONNECTOR 4P	
Q1788	8-729-117-54	TRANSISTOR 2SA1175		QB17	*1-566-059-11	PIN, CONNECTOR 7P	
Q1789	8-729-178-54	TRANSISTOR 2SC2785				<u>RESISTOR</u>	
Q1790	8-729-177-43	TRANSISTOR 2SD774		R1771	1-249-469-11	CARBON 100K 5% 1/4W	
Q1791	8-729-900-36	TRANSISTOR DTC124ES		R1776	1-249-405-11	CARBON 100 5% 1/6W	
Q1792	8-729-178-54	TRANSISTOR 2SC2785		R1777	1-249-405-11	CARBON 100 5% 1/6W	
Q1793	8-729-117-54	TRANSISTOR 2SA1175		R1778	1-249-405-11	CARBON 100 5% 1/6W	
Q1794	8-729-178-54	TRANSISTOR 2SC2785		R1779	1-249-441-11	CARBON 100K 5% 1/6W	
Q1795	8-729-178-54	TRANSISTOR 2SC2785		R1780	1-249-433-11	CARBON 22K 5% 1/6W	
Q1796	8-729-178-54	TRANSISTOR 2SC2785		R1781	1-249-441-11	CARBON 100K 5% 1/6W	
Q1797	8-729-178-54	TRANSISTOR 2SC2785		R1782	1-249-425-11	CARBON 4.7K 5% 1/6W	
Q1798	8-729-117-54	TRANSISTOR 2SA1175		R1783	1-249-469-11	CARBON 100K 5% 1/4W	
				R1784	1-249-433-11	CARBON 22K 5% 1/6W	

PVM-2730QM  
RM-668

QB

Ref.No.	Part No.	Description	Remark	Ref.No.	Part No.	Description	Remark
R1785	1-249-441-11	CARBON	100K 5% 1/6W	R1847	1-249-437-11	CARBON	47K 5% 1/6W
R1786	1-249-441-11	CARBON	100K 5% 1/6W	R1848	1-249-428-11	CARBON	8.2K 5% 1/6W
R1787	1-249-433-11	CARBON	22K 5% 1/6W	R1849	1-249-437-11	CARBON	47K 5% 1/6W
R1788	1-249-413-11	CARBON	470 5% 1/6W	R1850	1-249-428-11	CARBON	8.2K 5% 1/6W
R1794	1-215-485-00	CARBON	470K 5% 1/6W	R1851	1-249-465-11	CARBON	47K 5% 1/4W
R1795	1-249-422-11	CARBON	2.7K 5% 1/6W	R1852	1-249-428-11	CARBON	8.2K 5% 1/6W
R1796	1-249-440-11	CARBON	82K 5% 1/6W	R1853	1-249-416-11	CARBON	820 5% 1/6W
R1797	1-249-434-11	CARBON	27K 5% 1/6W	R1854	1-249-416-11	CARBON	820 5% 1/6W
R1798	1-249-425-11	CARBON	4.7K 5% 1/6W	R1855	1-249-417-11	CARBON	1K 5% 1/6W
R1799	1-249-419-11	CARBON	1.5K 5% 1/6W	R1856	1-249-417-11	CARBON	1K 5% 1/6W
R1800	1-249-425-11	CARBON	4.7K 5% 1/6W	R1857	1-247-713-11	CARBON	1K 5% 1/4W
R1801	1-249-440-11	CARBON	82K 5% 1/6W	R1858	1-249-433-11	CARBON	22K 5% 1/6W
R1802	1-249-434-11	CARBON	27K 5% 1/6W	R1859	1-249-417-11	CARBON	1K 5% 1/6W
R1804	1-249-429-11	CARBON	10K 5% 1/6W	R1860	1-249-429-11	CARBON	10K 5% 1/6W
R1805	1-249-429-11	CARBON	10K 5% 1/6W	R1861	1-249-417-11	CARBON	1K 5% 1/6W
R1806	1-249-406-11	CARBON	120 5% 1/6W	R1862	1-249-417-11	CARBON	1K 5% 1/6W
R1807	1-247-849-00	CARBON	5.6K 5% 1/6W	R1863	1-249-433-11	CARBON	22K 5% 1/6W
R1808	1-247-849-00	CARBON	5.6K 5% 1/6W	R1864	1-249-417-11	CARBON	1K 5% 1/6W
R1809	1-249-408-11	CARBON	180 5% 1/6W	R1865	1-249-425-11	CARBON	4.7K 5% 1/6W
R1810	1-247-832-00	CARBON	1.1K 5% 1/6W	R1866	1-249-412-11	CARBON	390 5% 1/6W
R1811	1-249-413-11	CARBON	470 5% 1/6W	R1867	1-249-417-11	CARBON	1K 5% 1/6W
R1813	1-249-413-11	CARBON	470 5% 1/6W	R1868	1-249-412-11	CARBON	390 5% 1/6W
R1814	1-249-413-11	CARBON	470 5% 1/6W	R1869	1-249-421-11	CARBON	2.2K 5% 1/6W
R1815	1-249-412-11	CARBON	390 5% 1/6W	R1870	1-249-421-11	CARBON	2.2K 5% 1/6W
R1816	1-249-413-11	CARBON	470 5% 1/6W	R1871	1-249-421-11	CARBON	2.2K 5% 1/6W
R1817	1-247-832-00	CARBON	1.1K 5% 1/6W	R1872	1-249-433-11	CARBON	22K 5% 1/6W
R1819	1-249-413-11	CARBON	470 5% 1/6W	R1873	1-249-429-11	CARBON	10K 5% 1/6W
R1820	1-249-406-11	CARBON	120 5% 1/6W	R1874	1-249-413-11	CARBON	470 5% 1/6W
R1821	1-249-406-11	CARBON	120 5% 1/6W	R1875	1-247-842-00	CARBON	3K 5% 1/6W
R1822	1-249-406-11	CARBON	120 5% 1/6W	R1876	1-249-420-11	CARBON	1.8K 5% 1/6W
R1823	1-249-406-11	CARBON	120 5% 1/6W	R1877	1-249-429-11	CARBON	10K 5% 1/6W
R1824	1-247-881-00	CARBON	120K 5% 1/6W	R1879	1-249-469-11	CARBON	100K 5% 1/4W
R1825	1-247-881-00	CARBON	120K 5% 1/6W	R1880	1-249-417-11	CARBON	1K 5% 1/6W
R1826	1-247-881-00	CARBON	120K 5% 1/6W	R1881	1-249-422-11	CARBON	2.7K 5% 1/6W
R1827	1-249-429-11	CARBON	10K 5% 1/6W	R1882	1-249-417-11	CARBON	1K 5% 1/6W
R1828	1-249-417-11	CARBON	1K 5% 1/6W	R1883	1-249-433-11	CARBON	22K 5% 1/6W
R1829	1-249-429-11	CARBON	10K 5% 1/6W	R1884	1-249-417-11	CARBON	1K 5% 1/6W
R1830	1-249-429-11	CARBON	10K 5% 1/6W	R1885	1-249-416-11	CARBON	820 5% 1/6W
R1831	1-249-417-11	CARBON	1K 5% 1/6W	R1886	1-249-417-11	CARBON	1K 5% 1/6W
R1832	1-249-429-11	CARBON	10K 5% 1/6W	R1887	1-247-715-11	CARBON	1.5K 5% 1/4W
R1833	1-249-429-11	CARBON	10K 5% 1/6W	R1888	1-249-417-11	CARBON	1K 5% 1/6W
R1834	1-249-417-11	CARBON	1K 5% 1/6W	R1892	1-249-415-11	CARBON	680 5% 1/6W
R1835	1-249-428-11	CARBON	8.2K 5% 1/6W	R1893	1-249-433-11	CARBON	22K 5% 1/6W
R1836	1-249-422-11	CARBON	2.7K 5% 1/6W	R1894	1-249-428-11	CARBON	8.2K 5% 1/6W
R1837	1-249-417-11	CARBON	1K 5% 1/6W	R1896	1-249-415-11	CARBON	680 5% 1/6W
R1838	1-247-849-00	CARBON	5.6K 5% 1/6W	R1898	1-247-849-00	CARBON	5.6K 5% 1/6W
R1839	1-247-849-00	CARBON	5.6K 5% 1/6W	R1899	1-247-849-00	CARBON	5.6K 5% 1/6W
R1841	1-249-433-11	CARBON	22K 5% 1/6W	R1902	1-249-417-11	CARBON	1K 5% 1/6W
R1842	1-249-433-11	CARBON	22K 5% 1/6W	R1903	1-249-412-11	CARBON	390 5% 1/6W
R1843	1-249-462-11	CARBON	22K 5% 1/4W	R1921	1-249-424-11	CARBON	3.9K 5% 1/6W
R1844	1-249-405-11	CARBON	100 5% 1/6W	R1922	1-249-424-11	CARBON	3.9K 5% 1/6W
R1845	1-249-433-11	CARBON	22K 5% 1/6W				
R1846	1-247-714-11	CARBON	1.2K 5% 1/4W				



**PVM-2730QM**  
RM-668



Ref.No.	Part No.	Description	Remark
R1923	1-249-421-11	CARBON 2.2K 5% 1/6W	
R1925	1-249-440-11	CARBON 82K 5% 1/6W	
R1926	1-249-440-11	CARBON 82K 5% 1/6W	
R1927	1-249-440-11	CARBON 82K 5% 1/6W	
R1928	1-249-405-11	CARBON 100 5% 1/6W	
R1929	1-247-849-00	CARBON 5.6K 5% 1/6W	
R1930	1-247-714-11	CARBON 1.2K 5% 1/4W	
R1931	1-249-417-11	CARBON 1K 5% 1/6W	
R1932	1-249-417-11	CARBON 1K 5% 1/6W	
R1935	1-249-428-11	CARBON 8.2K 5% 1/6W	
R1936	1-249-430-11	CARBON 12K 5% 1/6W	
R1937	1-249-428-11	CARBON 8.2K 5% 1/6W	
R1938	1-249-428-11	CARBON 8.2K 5% 1/6W	
R1939	1-249-428-11	CARBON 8.2K 5% 1/6W	
R1940	1-249-428-11	CARBON 8.2K 5% 1/6W	
R1941	1-249-428-11	CARBON 8.2K 5% 1/6W	
R1942	1-247-695-11	CARBON 39 5% 1/4W	
R1950	1-249-428-11	CARBON 8.2K 5% 1/6W	
R1951	1-249-429-11	CARBON 10K 5% 1/6W	
R1952	1-215-865-11	META. OXIDE 220 5% 1W F	
R1953	1-249-423-11	CARBON 3.3K 5% 1/6W	
R1955	1-249-435-11	CARBON 33K 5% 1/6W	
R1956	1-249-434-11	CARBON 27K 5% 1/6W	
R1965	1-247-712-11	CARBON 820 5% 1/4W	
R1966	1-247-712-11	CARBON 820 5% 1/4W	
R1967	1-247-712-11	CARBON 820 5% 1/4W	
R1968	1-247-881-00	CARBON 120K 5% 1/6W	
R1969	1-249-440-11	CARBON 82K 5% 1/6W	
R1971	1-249-417-11	CARBON 1K 5% 1/6W	
R1972	1-249-417-11	CARBON 1K 5% 1/6W	
R1973	1-249-417-11	CARBON 1K 5% 1/6W	
R1974	1-247-713-11	CARBON 1K 5% 1/6W	
*****			
*A-1330-789-A	C BOARD, COMPLETE *****		
1-526-644-71	SOCKET, CRT		
<u>CONNECTOR</u>			
C1	*1-506-371-00	2P PLUG (L)	
C2	*1-566-054-11	PIN, CONNECTOR 2P	
C3	*1-566-055-11	PIN, CONNECTOR 3P	
C5	*1-566-061-11	PIN, CONNECTOR 9P	
C6	*1-566-054-11	PIN, CONNECTOR 2P	
C7	*1-508-768-00	6P PLUG	
<u>CAPACITOR</u>			
C701	1-162-115-00	CERAMIC 330PF 10% 2KV	
C702	1-129-779-00	FILM 0.022MF 20% 1KV	
C703	1-123-383-00	ELECT 4.7MF 20% 100V	
C704	1-123-948-00	ELECT 22MF 20% 250V	
C705	1-106-387-00	MYLAR 0.1MF 10% 200V	
C706	1-106-387-00	MYLAR 0.1MF 10% 200V	
C707	1-102-116-00	CERAMIC 680PF 10% 50V	
C708	1-102-116-00	CERAMIC 680PF 10% 50V	

Ref.No.	Part No.	Description	Remark
C709	1-102-116-00	CERAMIC 680PF 10% 50V	
C710	1-102-115-00	CERAMIC 560PF 10% 50V	
C711	1-123-356-00	ELECT 10MF 20% 25V	
C712	1-102-116-00	CERAMIC 680PF 10% 50V	
C713	1-102-116-00	CERAMIC 680PF 10% 50V	
C714	1-123-321-00	ELECT 220MF 20% 16V	
C715	1-102-125-00	CERAMIC 0.0047MF 10% 50V	
C718	1-102-125-00	CERAMIC 0.0047MF 10% 50V	
C723	1-108-634-81	MYLAR 0.047MF 10% 100V	
C753	1-102-971-00	CERAMIC 82PF 5% 50V	
C754	1-108-617-91	MYLAR 0.0018MF 10% 100V	
C755	1-123-356-00	ELECT 10MF 20% 25V	
C756	1-106-367-00	MYLAR 0.01MF 10% 100V	
C757	1-106-367-00	MYLAR 0.01MF 10% 100V	
C758	1-102-963-00	CERAMIC 33PF 5% 50V	
C759	1-102-963-00	CERAMIC 33PF 5% 50V	
C760	1-108-614-91	MYLAR 0.001MF 10% 100V	
C762	1-136-177-00	FILM 1MF 5% 50V	
C763	1-123-356-00	ELECT 10MF 20% 50V	
C764	1-106-220-00	MYLAR 0.1MF 10% 100V	
C765	1-123-380-00	ELECT 1MF 20% 50V	
C766	1-124-122-11	ELECT 100MF 20% 50V	
<u>DIODE</u>			
D701	8-719-911-19	DIODE 1SS119	
D702	8-719-911-19	DIODE 1SS119	
D703	8-719-911-19	DIODE 1SS119	
D704	8-719-911-19	DIODE 1SS119	
D705	8-719-911-19	DIODE 1SS119	
D706	8-719-911-19	DIODE 1SS119	
D707	8-719-911-19	DIODE 1SS119	
D708	8-719-911-19	DIODE 1SS119	
D709	8-719-911-19	DIODE 1SS119	
D710	8-719-901-83	DIODE 1SS83	
D711	8-719-901-83	DIODE 1SS83	
D712	8-719-901-83	DIODE 1SS83	
D713	8-719-901-83	DIODE 1SS83	
D751	8-719-911-19	DIODE 1SS119	
D752	8-719-911-19	DIODE 1SS119	
<u>COIL</u>			
L701	1-407-711-00	MICRO INDUCTOR 330UH	
L702	1-407-708-00	MICRO INDUCTOR 180UH	
L703	1-407-708-00	MICRO INDUCTOR 180UH	
L704	1-407-697-00	MICRO INDUCTOR 22UH	
L705	1-407-697-00	MICRO INDUCTOR 22UH	
L706	1-407-709-00	MICRO INDUCTOR 220UH	
L707	1-407-697-00	MICRO INDUCTOR 22UH	
L721	1-408-446-11	MICRO INDUCTOR 22UH	
L751	1-408-399-00	MICRO INDUCTOR 1.5UH	
<u>TRANSISTOR</u>			
Q701	8-729-326-11	TRANSISTOR 2SC2611	

**PVM-2730QM**  
RM-668



Ref.No.	Part No.	Description	Remark	Ref.No.	Part No.	Description	Remark
Q702	8-729-178-54	TRANSISTOR 2SC2785		R732	1-247-719-11	CARBON 3.3K 5%	1/4W F
Q703	8-729-200-17	TRANSISTOR 2SA1091		R733	1-247-719-11	CARBON 3.3K 5%	1/4W F
Q704	8-729-326-11	TRANSISTOR 2SC2611		R734	1-247-714-11	CARBON 1.2K 5%	1/4W
Q705	8-729-178-54	TRANSISTOR 2SC2785		R735	1-247-714-11	CARBON 1.2K 5%	1/4W
Q706	8-729-200-17	TRANSISTOR 2SA1091		R736	1-246-476-00	CARBON 1.3K 5%	1/4W
Q707	8-729-200-17	TRANSISTOR 2SA1091		R737	1-249-440-11	CARBON 82K 5%	1/6W
Q708	8-729-326-11	TRANSISTOR 2SC2611		R739	1-215-471-00	CARBON 120K 5%	1/6W
Q709	8-729-178-54	TRANSISTOR 2SC2785		R740	1-215-902-11	METAL OX IDE 47K 5%	2W F
Q710	8-729-255-12	TRANSISTOR 2SC2551		R741	1-249-438-11	CARBON 56K 5%	1/6W
Q712	8-729-255-12	TRANSISTOR 2SC2551		R742	1-247-725-11	CARBON 10K 5%	1/4W F
Q714	8-729-200-17	TRANSISTOR 2SA1091		R743	1-247-725-11	CARBON 10K 5%	1/4W F
Q715	8-729-200-17	TRANSISTOR 2SA1091		R744	1-247-725-11	CARBON 10K 5%	1/4W F
Q716	8-729-200-17	TRANSISTOR 2SA1091		R745	1-247-713-11	CARBON 1K 5%	1/4W F
Q751	8-729-178-54	TRANSISTOR 2SC2785		R746	1-215-879-51	METAL OX IDE 47K 5%	1W F
Q752	8-729-178-54	TRANSISTOR 2SC2785		R747	1-247-725-11	CARBON 10K 5%	1/4W F
Q753	8-729-178-54	TRANSISTOR 2SC2785		R751	1-249-409-11	CARBON 220 5%	1/6W
Q754	8-729-177-43	TRANSISTOR 2SD774		R752	1-249-409-11	CARBON 220 5%	1/6W
Q755	8-729-178-54	TRANSISTOR 2SC2785		R753	1-249-418-11	CARBON 1.2K 5%	1/6W
Q756	8-729-374-02	TRANSISTOR 2SB740		R754	1-249-412-11	CARBON 390 5%	1/6W
Q757	8-729-177-43	TRANSISTOR 2SD774		R755	1-215-871-11	METAL OX IDE 2.2K 5%	1W F
<u>RESISTOR</u>				R756	1-249-414-11	CARBON 560 5%	1/6W
R701	1-212-352-00	METAL OX IDE 0.22 5%	1W F	R757	1-247-849-00	CARBON 5.6K 5%	1/6W
R702	1-202-846-00	SOLID 470K 10%	1/2W	R758	1-249-435-11	CARBON 33K 5%	1/6W
R703	1-202-844-00	SOLID 330K 10%	1/2W	R759	1-249-393-11	CARBON 10 5%	1/6W F
R704	1-202-815-11	SOLID 47K 10%	1/2W	R760	1-249-411-11	CARBON 330 5%	1/6W
R705	1-202-846-00	SOLID 470K 10%	1/2W	R761	1-249-409-11	CARBON 220 5%	1/6W
R706	1-202-720-00	SOLID 1.2M 10%	1/2W	R762	1-249-409-11	CARBON 220 5%	1/6W
R707	1-202-842-11	SOLID 220K 10%	1/2W	R763	1-249-437-11	CARBON 47K 5%	1/6W
R708	1-202-818-00	SOLID 1K 10%	1/2W	R764	1-249-397-11	CARBON 22 5%	1/6W F
R709	1-202-818-00	SOLID 1K 10%	1/2W	R765	1-249-417-11	CARBON 1K 5%	1/6W
R710	1-202-818-00	SOLID 1K 10%	1/2W	R766	1-249-435-11	CARBON 33K 5%	1/6W
R711	1-202-549-00	SOLID 100 10%	1/2W	R767	1-249-441-11	CARBON 100K 5%	1/6W
R712	1-202-543-00	SOLID 56 10%	1/2W	R768	1-249-435-11	CARBON 33K 5%	1/6W
R713	1-216-486-00	METAL OX IDE 8.2K 5%	3W F	R769	1-249-417-11	CARBON 1K 5%	1/6W
R714	1-249-409-11	CARBON 220 5%	1/6W	R770	1-249-389-11	CARBON 4.7 5%	1/6W F
R715	1-249-429-11	CARBON 10K 5%	1/6W	R771	1-249-389-11	CARBON 4.7 5%	1/6W F
R716	1-216-486-00	METAL OX IDE 8.2K 5%	3W F	R772	1-249-402-11	CARBON 56 5%	1/6W
R717	1-249-409-11	CARBON 220 5%	1/6W	<u>VARIABLE RESISTOR</u>			
R718	1-249-429-11	CARBON 10K 5%	1/6W	RV701	1-226-157-00	RES, ADJ, METAL GLAZE 1M	
R719	1-249-429-11	CARBON 10K 5%	1/6W	RV703	1-228-729-00	RES, ADJ, CERAMIC CARBON 220K	
R720	1-216-486-00	METAL OX IDE 8.2K 5%	3W F	RV705	1-228-728-00	RES, ADJ, CERAMIC CARBON 100K	
R721	1-249-409-11	CARBON 220 5%	1/6W	RV706	1-228-724-00	RES, ADJ, CERAMIC CARBON 10K	
R722	1-249-405-11	CARBON 100 5%	1/6W	*****			
R723	1-247-700-11	CARBON 100 5%	1/4W	*A-1340-940-A D2 BOARD, COMPLETE			
R724	1-249-405-11	CARBON 100 5%	1/6W	*****			
R725	1-249-429-11	CARBON 10K 5%	1/6W	<u>CAPACITOR</u>			
R726	1-249-408-11	CARBON 180 5%	1/6W	C2501	1-108-618-91	MYLAR 0.0022MF 10%	100V
R727	1-249-429-11	CARBON 10K 5%	1/6W	C2502	1-108-632-81	MYLAR 0.033MF 10%	100V
R728	1-215-402-00	CARBON 160 5%	1/6W	C2503	1-108-620-91	MYLAR 0.0033MF 10%	100V
R729	1-249-441-11	CARBON 100K 5%	1/6W	C2504	1-102-074-00	CERAMIC 0.001MF 10%	50V
R730	1-215-402-00	CARBON 160 5%	1/6W				
R731	1-247-719-11	CARBON 3.3K 5%	1/4W F				

**PVM-2730QM**  
 RM-668

**D2**

Ref.No.	Part No.	Description	Remark	Ref.No.	Part No.	Description	Remark
C2505	1-106-367-00	MYLAR 0.01MF	10%	100V	L2506	1-459-123-00	COIL, DUST CORE(PAC)
C2506	1-108-620-91	MYLAR 0.0033MF	10%	100V			
C2507	1-106-367-00	MYLAR 0.01MF	10%	100V		<u>TRANSISTOR</u>	
C2508	1-123-379-00	ELECT 0.47MF	20%	50V			
C2509	1-123-356-00	ELECT 10MF	20%	50V	Q2501	8-729-178-54	TRANSISTOR 2SC2785
C2510	1-123-356-00	ELECT 10MF	20%	50V	Q2502	8-729-178-54	TRANSISTOR 2SC2785
C2511	1-123-359-00	ELECT 47MF	20%	50V	Q2503	8-729-178-54	TRANSISTOR 2SC2785
C2512	1-123-359-00	ELECT 47MF	20%	50V	Q2504	8-729-178-54	TRANSISTOR 2SC2785
C2513	1-123-357-00	ELECT 22MF	20%	50V	Q2505	8-729-178-54	TRANSISTOR 2SC2785
C2514	1-123-361-00	ELECT 220MF	20%	50V	Q2506	8-729-122-02	TRANSISTOR 2SA1220A
C2515	1-123-333-00	ELECT 100MF	20%	25V	Q2507	8-729-169-02	TRANSISTOR 2SC2690A
C2516	1-123-360-00	ELECT 100MF	20%	50V	Q2510	8-729-195-82	TRANSISTOR 2SC2958
C2517	1-129-701-00	FILM 0.01MF	5%	100V	Q2511	8-729-117-54	TRANSISTOR 2SA1175
C2518	1-102-231-11	CERAMIC 47PF	10%	500V	Q2512	8-729-122-02	TRANSISTOR 2SA1220A
C2520	1-123-380-00	ELECT 1MF	20%	50V	Q2515	8-729-117-54	TRANSISTOR 2SA1175
C2521	1-108-849-00	MYLAR 0.1MF	10%	50V	Q2516	8-729-178-54	TRANSISTOR 2SC2785
C2522	1-123-332-00	ELECT 47MF	20%	25V		<u>RESISTOR</u>	
C2523	1-108-637-00	MYLAR 0.082MF	10%	100V	R2501	1-249-435-11	CARBON 33K 5% 1/6W
C2524	1-106-222-00	MYLAR 0.12MF	10%	100V	R2502	1-249-429-11	CARBON 10K 5% 1/6W
C2525	1-123-379-00	ELECT 0.47MF	20%	50V	R2503	1-249-435-11	CARBON 33K 5% 1/6W
C2526	1-108-634-81	MYLAR 0.047MF	10%	100V	R2504	1-249-429-11	CARBON 10K 5% 1/6W
C2527	1-108-614-91	MYLAR 0.001MF	10%	100V	R2505	1-249-420-11	CARBON 1.8K 5% 1/6W
C2530	1-106-224-00	MYLAR 0.15MF	10%	100V	R2506	1-249-429-11	CARBON 10K 5% 1/6W
C2532	1-106-367-00	MYLAR 0.01MF	10%	100V	R2507	1-249-437-11	CARBON 47K 5% 1/6W
C2535	1-108-630-91	MYLAR 0.022MF	10%	100V	R2508	1-249-437-11	CARBON 47K 5% 1/6W
C2536	1-123-379-00	ELECT 0.47MF	20%	50V	R2509	1-249-418-11	CARBON 1.2K 5% 1/6W
C2537	1-123-332-00	ELECT 47MF	20%	25V	R2510	1-249-438-11	CARBON 56K 5% 1/6W
C2538	1-123-369-00	ELECT 4.7MF	20%	50V	R2511	1-249-439-11	CARBON 68K 5% 1/6W
<u>CONNECTOR</u>							
D21	*1-566-058-11	PIN, CONNECTOR 6P			R2512	1-249-429-11	CARBON 10K 5% 1/6W
D22	*1-508-767-00	5P PLUG			R2513	1-249-417-11	CARBON 1K 5% 1/6W
D23	*1-508-766-00	4P PLUG (M)			R2514	1-247-700-11	CARBON 100 5% 1/4W
D24	*1-508-765-00	3P PLUG (M)			R2515	1-249-439-11	CARBON 68K 5% 1/6W
D25	*1-508-784-00	1P PLUG			R2516	1-249-425-11	CARBON 4.7K 5% 1/6W
D26	*1-566-054-11	PIN, CONNECTOR 2P			R2517	1-249-439-11	CARBON 68K 5% 1/6W
<u>DIODE</u>							
D2501	8-719-911-19	DIODE 1SS119			R2518	1-249-439-11	CARBON 68K 5% 1/6W
D2502	8-719-200-02	DIODE 10E2			R2519	1-249-437-11	CARBON 47K 5% 1/6W
D2503	8-719-200-02	DIODE 10E2			R2520	1-249-421-11	CARBON 2.2K 5% 1/6W
D2504	8-719-911-19	DIODE 1SS119			R2521	1-249-439-11	CARBON 68K 5% 1/6W
D2505	8-719-911-19	DIODE 1SS119			R2522	1-249-430-11	CARBON 12K 5% 1/6W
D2506	8-719-200-02	DIODE 10E2			R2523	1-249-423-11	CARBON 3.3K 5% 1/6W
D2507	8-719-110-51	DIODE RD20ES-B			R2524	1-247-849-00	CARBON 5.6K 5% 1/6W
<u>COIL</u>							
L2501	1-407-877-00	MICRO INDUCTOR 15MMH			R2525	1-247-849-00	CARBON 5.6K 5% 1/6W
L2502	1-459-119-00	COIL, DUST CORE(ARC)			R2526	1-249-423-11	CARBON 3.3K 5% 1/6W
L2503	1-407-504-00	MICRO INDUCTOR 10MMH			R2527	1-249-433-11	CARBON 22K 5% 1/6W
L2504	1-459-583-11	COIL (WITH CORE)			R2528	1-249-425-11	CARBON 4.7K 5% 1/6W
L2505	1-443-012-00	TRANSFORMER, DYNAMIC CONVERSION			R2529	1-249-433-11	CARBON 22K 5% 1/6W
					R2530	1-249-423-11	CARBON 3.3K 5% 1/6W
					R2531	1-249-401-11	CARBON 47 5% 1/6W F
					R2532	1-249-401-11	CARBON 47 5% 1/6W F
					R2533	1-249-399-11	CARBON 33 5% 1/6W F
					R2534	1-249-429-11	CARBON 10K 5% 1/6W
					R2540	1-249-434-11	CARBON 27K 5% 1/6W



**PVM-2730QM**  
RM-668

**D2 D3**

Ref.No.	Part No.	Description	Remark	Ref.No.	Part No.	Description	Remark
R2541	1-215-473-00	CARBON	150K 5% 1/6W	C2612	1-124-259-00	ELECT 4.7MF	20% 50V
R2542	1-216-426-11	METAL OXIDE	82 5% 1W F	C2613	1-124-259-00	ELECT 4.7MF	20% 50V
R2543	1-212-960-00	FUSIBLE	12 5% 1/2W F	C2615	1-101-004-00	CERAMIC 0.01MF	50V
R2544	1-215-884-11	METAL OXIDE	47 5% 2W F	<u>DIODE</u>			
R2545	1-249-421-11	CARBON	2.2K 5% 1/6W	D2601	8-719-000-12	DIODE MC931	
R2546	1-247-706-11	CARBON	330 5% 1/4W	D2602	8-719-000-12	DIODE MC931	
R2547	1-249-435-11	CARBON	33K 5% 1/6W	D2603	8-719-110-60	DIODE RD24ES-B	
R2548	1-249-439-11	CARBON	68K 5% 1/6W	D2604	8-719-911-19	DIODE 1SS119	
R2549	1-249-441-11	CARBON	100K 5% 1/6W	<u>IC</u>			
R2550	1-249-424-11	CARBON	3.9K 5% 1/6W	IC2601	8-759-700-08	IC NJM4558S	
R2554	1-215-485-00	CARBON	470K 5% 1/6W	IC2602	8-759-909-70	IC CX23025	
R2555	1-249-424-11	CARBON	3.9K 5% 1/6W	<u>TRANSISTOR</u>			
R2556	1-249-425-11	CARBON	4.7K 5% 1/6W	Q2601	8-729-178-54	TRANSISTOR 2SC2785	
R2557	1-249-429-11	CARBON	10K 5% 1/6W	Q2602	8-729-900-36	TRANSISTOR DTC124ES	
R2558	1-249-425-11	CARBON	4.7K 5% 1/6W	Q2603	8-729-178-54	TRANSISTOR 2SC2785	
R2559	1-249-429-11	CARBON	10K 5% 1/6W	Q2604	8-729-178-54	TRANSISTOR 2SC2785	
R2560	1-249-430-11	CARBON	12K 5% 1/6W	Q2605	8-729-178-54	TRANSISTOR 2SC2785	
R2561	1-249-429-11	CARBON	10K 5% 1/6W	Q2606	8-729-178-54	TRANSISTOR 2SC2785	
R2562	1-247-704-11	CARBON	220 5% 1/4W	Q2607	8-729-105-72	TRANSISTOR 2SK523-L1	
R2563	1-249-425-11	CARBON	4.7K 5% 1/6W	<u>RESISTOR</u>			
R2564	1-249-437-11	CARBON	47K 5% 1/6W	R2601	1-249-438-11	CARBON 56K 5%	1/6W
R2565	1-249-441-11	CARBON	100K 5% 1/6W	R2602	1-249-435-11	CARBON 33K 5%	1/6W
R2566	1-249-409-11	CARBON	220 5% 1/6W	R2603	1-249-424-11	CARBON 3.9K 5%	1/6W
R2567	1-249-421-11	CARBON	2.2K 5% 1/6W	R2604	1-249-424-11	CARBON 3.9K 5%	1/6W
<u>VARIABLE RESISTOR</u>				R2605	1-247-704-11	CARBON 220 5%	1/4W
RV2501	1-228-727-00	RES, ADJ, CERAMIC	CARBON 47K	R2609	1-249-441-11	CARBON 100K 5%	1/6W
RV2502	1-228-727-00	RES, ADJ, CERAMIC	CARBON 47K	R2610	1-249-441-11	CARBON 100K 5%	1/6W
RV2503	1-228-727-00	RES, ADJ, CERAMIC	CARBON 47K	R2611	1-247-725-11	CARBON 10K 5%	1/4W
RV2504	1-228-724-00	RES, ADJ, CERAMIC	CARBON 10K	R2612	1-249-438-11	CARBON 56K 5%	1/6W
RV2505	1-228-724-00	RES, ADJ, CERAMIC	CARBON 10K	R2613	1-215-471-00	CARBON 120K 5%	1/6W
<u>TRANSFORMER</u>				R2614	1-249-429-11	CARBON 10K 5%	1/6W
T2501	1-407-849-00	TRANSFORMER, D.F		R2615	1-249-429-11	CARBON 10K 5%	1/6W
*****				R2616	1-249-429-11	CARBON 10K 5%	1/6W
*A-1340-941-A	D3 BOARD, COMPLETE			R2617	1-249-429-11	CARBON 10K 5%	1/6W
*****				R2618	1-249-429-11	CARBON 10K 5%	1/6W
*1-566-057-11	PIN, CONNECTOR 5P			R2619	1-249-441-11	CARBON 100K 5%	1/6W
*1-566-058-11	PIN, CONNECTOR 6P			R2620	1-249-441-11	CARBON 100K 5%	1/6W
<u>CAPACITOR</u>				R2622	1-249-429-11	CARBON 10K 5%	1/6W
C2601	1-124-598-11	ELECT	22MF 20% 25V	R2623	1-249-429-11	CARBON 10K 5%	1/6W
C2602	1-123-381-00	ELECT	2.2MF 20% 50V	R2624	1-249-417-11	CARBON 1K 5%	1/6W
C2603	1-123-381-00	ELECT	2.2MF 20% 50V	R2625	1-249-429-11	CARBON 10K 5%	1/6W
C2604	1-123-369-00	ELECT	4.7MF 20% 50V	R2626	1-249-433-11	CARBON 22K 5%	1/6W
C2606	1-101-004-00	CERAMIC	0.01MF 50V	R2627	1-249-433-11	CARBON 22K 5%	1/6W
C2607	1-123-333-00	ELECT	100MF 20% 25V	R2628	1-249-429-11	CARBON 10K 5%	1/6W
C2608	1-123-381-00	ELECT	2.2MF 20% 50V	R2629	1-249-405-11	CARBON 100 5%	1/6W
C2609	1-124-598-11	ELECT	22MF 20% 25V	R2630	1-249-405-11	CARBON 100 5%	1/6W
C2610	1-124-259-00	ELECT	4.7MF 20% 50V	R2631	1-247-700-11	CARBON 100 5%	1/4W
C2611	1-123-816-00	ELECT	10MF 20% 50V	R2632	1-249-423-11	CARBON 3.3K 5%	1/6W
				R2633	1-249-423-11	CARBON 3.3K 5%	1/6W

**PVM-2730QM**  
RM-668



Ref.No.	Part No.	Description	Remark	Ref.No.	Part No.	Description	Remark
R2634	1-247-700-11	CARBON	100 5% 1/4W	C551	1-123-357-00	ELECT	22MF 20% 50V
R2635	1-247-722-11	CARBON	5.6K 5% 1/4W	C552	1-123-356-00	ELECT	10MF 20% 50V
R2636	1-249-427-11	CARBON	6.8K 5% 1/6W	C555	1-123-379-00	ELECT	0.47MF 20% 50V
R2637	1-249-433-11	CARBON	22K 5% 1/6W	C556	1-136-175-00	FILM	0.68MF 5% 50V
R2638	1-249-431-11	CARBON	15K 5% 1/6W	C557	1-136-169-00	FILM	0.22MF 5% 50V
R2639	1-249-437-11	CARBON	47K 5% 1/6W	C1501	1-136-161-00	FILM	0.047MF 5% 50V
R2640	1-249-429-11	CARBON	10K 5% 1/6W	C1502	1-106-220-00	MYLAR	0.1MF 10% 100V
R2642	1-249-424-11	CARBON	3.9K 5% 1/6W	C1503	1-106-371-00	MYLAR	0.015MF 10% 100V
R2643	1-249-423-11	CARBON	3.3K 5% 1/6W	C1504	1-123-330-00	ELECT	22MF 20% 16V
R2644	1-247-885-00	CARBON	180K 5% 1/6W	C1505	1-108-630-91	MYLAR	0.022MF 10% 100V
R2645	1-249-429-11	CARBON	10K 5% 1/6W	C1506	1-123-356-00	ELECT	10MF 20% 25V
<u>VARIABLE RESISTOR</u>				C1507	1-123-332-00	ELECT	47MF 20% 25V
RV2601	1-228-728-00	RES, ADJ, CERAMIC CARBON	100K	C1508	1-130-868-00	FILM	0.0056MF 5% 50V
RV2602	1-228-728-00	RES, ADJ, CERAMIC CARBON	100K	C1509	1-123-369-00	ELECT	4.7MF 20% 25V
RV2603	1-228-724-00	RES, ADJ, CERAMIC CARBON	10K	C1510	1-102-820-00	CERAMIC	330PF 5% 50V
RV2604	1-228-724-00	RES, ADJ, CERAMIC CARBON	10K	C1511	1-123-321-00	ELECT	220MF 20% 16V
RV2605	1-228-725-00	RES, ADJ, CERAMIC CARBON	22K	C1512	1-123-379-00	ELECT	0.47MF 20% 50V
RV2606	1-228-727-00	RES, ADJ, CERAMIC CARBON	47K	C1520	1-102-125-00	CERAMIC	0.0047MF 10% 50V
*****				C1521	1-108-631-81	MYLAR	0.027MF 10% 100V
*A-1345-699-A D BOARD, COMPLETE				C1522	1-123-333-00	ELECT	100MF 20% 25V
*****				C1523	1-102-978-00	CERAMIC	220PF 5% 50V
<u>CAPACITOR</u>				C1524	1-106-379-12	MYLAR	0.033MF 10% 200V
C501	1-123-380-00	ELECT	1MF 20% 50V	C1525	1-162-117-00	CERAMIC	100PF 10% 500V
C502	1-108-622-91	MYLAR	0.0047MF 10% 100V	C1526	1-102-157-00	CERAMIC	560PF 10% 500V
C503	1-108-618-91	MYLAR	0.0022MF 10% 100V	C1527	1-102-038-00	CERAMIC	0.001MF 500V
C504	1-123-323-00	ELECT	470MF 20% 16V	C1528	1-106-379-12	MYLAR	0.033MF 10% 200V
C505	1-123-379-00	ELECT	0.47MF 20% 50V	C1529	1-102-820-00	CERAMIC	330PF 5% 50V
C506	1-123-318-00	ELECT	33MF 20% 16V	C1530	1-123-361-00	ELECT	220MF 20% 50V
C507	1-123-379-00	ELECT	0.47MF 20% 50V	C1531	1-125-294-00	ELECT(B'LOCK)	560MF 20% 160V
C508	1-136-173-00	FILM	0.47MF 5% 50V	C1532	1-124-006-11	ELECT	10MF 20% 25V
C509	1-123-357-00	ELECT	22MF 20% 50V	C1533A	1-162-115-51	CERAMIC	330PF 10% 2KV
C512	1-136-162-00	FILM	0.056MF 5% 50V	C1534A	1-136-330-11	FILM	0.014MF 3% 1.6KV
C514	1-124-609-11	ELECT	470MF 10% 50V	C1535	1-129-953-00	FILM	0.068MF 20% 1.5KV
C515	1-124-625-11	ELECT	22MF 10% 50V	C1536	1-123-333-00	ELECT	100MF 20% 16V
C516	1-123-336-00	ELECT	470MF 20% 25V	C1537	1-123-333-00	ELECT	100MF 20% 16V
C520	1-102-244-00	CERAMIC	220PF 10% 500V	C1539A	1-162-116-11	CERAMIC	680PF 10% 2KV
C521	1-123-364-00	ELECT	1000MF 20% 50V	C1540	1-162-115-00	CERAMIC	330PF 10% 2KV
C522	1-123-875-91	ELECT	10MF 20% 50V	C1541	1-108-630-91	MYLAR	0.022MF 10% 100V
C523	1-106-387-00	MYLAR	0.1MF 10% 200V	C1542	1-136-179-00	FILM	1.5MF 5% 200V
C524	1-106-381-12	MYLAR	0.039MF 10% 200V	C1543	1-102-820-00	CERAMIC	330PF 5% 50V
C525	1-102-244-00	CERAMIC	220PF 10% 500V	C1544	1-136-328-11	FILM	1MF 5% 400V
C526	1-124-342-00	ELECT	3.3MF 20% 160V	C1549	1-106-367-00	MYLAR	0.01MF 10% 100V
C527	1-108-694-81	MYLAR	0.015MF 10% 200V	C1550	1-102-973-00	CERAMIC	100PF 5% 50V
C528	1-162-318-11	CERAMIC	0.001MF 10% 500V	C1551	1-102-030-00	CERAMIC	330PF 10% 500V
C531	1-123-379-00	ELECT	0.47MF 20% 50V	C1552	1-106-367-00	MYLAR	0.01MF 10% 100V
C545	1-123-330-00	ELECT	22MF 20% 25V	C1553	1-123-379-00	ELECT	0.47MF 20% 50V
C546	1-123-381-00	ELECT	2.2MF 20% 50V	C1554	1-106-367-00	MYLAR	0.01MF 10% 100V
C547	1-123-333-00	ELECT	100MF 20% 25V	C1555	1-102-110-00	CERAMIC	220PF 10% 50V
C548	1-123-321-00	ELECT	220MF 20% 16V	C1556	1-123-333-00	ELECT	100MF 20% 25V
				C1557	1-108-622-91	MYLAR	0.0047MF 10% 100V
				C1558	1-123-330-00	ELECT	22MF 20% 16V
				C1559	1-123-379-00	ELECT	0.47MF 20% 50V
				C1560	1-123-379-00	ELECT	0.47MF 20% 50V

The components identified by shading and mark **A** are critical for safety. Replace only with part number specified.

**PVM-2730QM**  
RM-668

**D**

Ref.No.	Part No.	Description	Remark	Ref.No.	Part No.	Description	Remark	
C1565	1-106-220-00	MYLAR	0.1MF	10%	100V	D510	8-719-109-88	DIODE RD5.6ES-B1
C1566	1-162-115-51	CERAMIC	330PF	10%	2KV	D511	8-719-815-55	DIODE 1S1555
C1567	1-162-115-51	CERAMIC	330PF	10%	2KV	D513	8-719-110-38	DIODE RD15ES-B
C1568	1-130-706-11	FILM	0.008MF	3%	1.6KV	D520	8-719-190-00	DIODE RD24E-BZ7
C1569	1-129-747-11	FILM	0.047MF	10%	400V	D521	8-719-815-55	DIODE 1S1555
C1570	1-129-751-00	FILM	0.1MF	20%	400V	D522	8-719-101-61	DIODE RD6.2E-L2
C1571	1-102-030-00	CERAMIC	330PF	10%	500V	D1502	8-719-815-55	DIODE 1S1555
C1572	1-123-321-00	ELECT	220MF	20%	16V	D1503	8-719-110-38	DIODE RD15ES-B
C1576	1-123-332-00	ELECT	47MF	20%	25V	D1508	8-719-815-55	DIODE 1S1555
C1577	1-123-318-00	ELECT	33MF	20%	16V	D1509	8-719-200-02	DIODE 10E2
C1578	1-108-630-91	MYLAR	0.022MF	10%	100V	D1510	8-719-300-76	DIODE RH1A
C1579	1-106-220-00	MYLAR	0.1MF	10%	100V	D1511	8-719-300-76	DIODE RH1A
C1585	1-123-357-00	ELECT	22MF	20%	50V	D1512	8-719-300-76	DIODE RH1A
C1586	1-108-621-91	MYLAR	0.0039MF	10%	100V	D1513	8-719-901-19	DIODE V11N
C1587	1-131-351-00	TANTALUM	4.7MF	10%	35V	D1515	8-719-200-02	DIODE 10E2
C1591	1-124-005-11	ELECT	4.7MF	20%	50V	D1516	8-719-903-09	DIODE V30N
C1592	1-106-367-00	MYLAR	0.01MF	10%	200V	D1517	8-719-906-15	DIODE ERC26-15S
C1593	1-136-171-00	FILM	0.33MF	5%	50V	D1517	8-719-906-15	DIODE ERC26-15S
C1595	1-123-381-00	ELECT	2.2MF	20%	50V	D1518	8-719-928-08	DIODE ERD28-08S
C1596	1-123-369-00	ELECT	4.7MF	20%	50V	D1518	8-719-928-08	DIODE ERD28-08S
C1597	1-136-175-00	FILM	0.68MF	5%	50V	D1525	8-719-815-55	DIODE 1S1555
C1598	1-102-816-00	CERAMIC	120PF	5%	50V	D1527	8-719-300-76	DIODE RH1A
C1599	1-106-367-00	MYLAR	0.01MF	10%	100V	D1528	8-719-926-16	DIODE ERC26-15SA
C1601	1-106-367-00	MYLAR	0.01MF	10%	100V	D1529	8-719-300-76	DIODE RH1A
C1602	1-106-367-00	MYLAR	0.01MF	10%	100V	D1530	8-719-300-76	DIODE RH1A
C1603	1-106-367-00	MYLAR	0.01MF	10%	100V	D1531	8-719-300-38	DIODE GU-3A
C1604	1-106-367-00	MYLAR	0.01MF	10%	100V	D1535	8-719-110-60	DIODE RD24ES-B
C1605	1-123-381-00	ELECT	2.2MF	20%	50V	D1536	8-719-102-65	DIODE RD4.7E-N2
C1606	1-123-985-00	ELECT	1000MF	20%	16V	D1537	8-719-102-74	DIODE RD6.2E-N2
C1607	1-136-162-00	FILM	0.056MF	5%	50V	D1538	8-719-815-55	DIODE 1S1555
<u>CONNECTOR</u>						D1540	8-719-102-71	DIODE RD5.6E-N2
D1	*1-508-766-00	4P PLUG (M)				D1541	8-719-300-76	DIODE RH1A
D2	*1-566-055-11	PIN, CONNECTOR 3P				<u>IC</u>		
D3	*1-566-054-11	PIN, CONNECTOR 2P				IC501	8-759-178-12	IC UPC78L12
D4	*1-508-767-00	5P PLUG				IC503	8-759-178-12	IC UPC78L12
D5	*1-506-348-XX	4P PLUG				IC1501	8-759-100-60	IC UPC1377C
D6	*1-508-767-00	5P PLUG				IC1502	8-759-700-08	IC NJM4558S
D7	*1-566-056-11	PIN, CONNECTOR 4P				IC1503	8-759-700-08	IC NJM4558S
D8	*1-508-765-00	3P PLUG (M)				<u>COIL</u>		
D9	*1-508-765-00	3P PLUG (M)				L501	1-459-060-00	COIL, DYNAMIC CONVERSION CHOKE
D10	*1-508-768-00	6P PLUG				L1501	1-407-364-00	COIL, SPOOK CHOKE 3.3UH
D11	*1-508-768-00	6P PLUG				L1502	1-459-215-00	CORE COIL
D12	*1-566-055-11	PIN, CONNECTOR 3P				L1503	1-407-365-00	COIL, CHOKE
D15	*1-566-058-11	PIN, CONNECTOR 6P				L1504	1-407-365-00	COIL, CHOKE
D27	*1-566-058-11	PIN, CONNECTOR 6P				L1505	1-407-365-00	COIL, CHOKE
D28	*1-566-057-11	PIN, CONNECTOR 5P				L1506	1-459-104-00	COIL, DUST CORE
<u>DIODE</u>						L1507	1-407-365-00	COIL, CHOKE
D501	8-719-815-55	DIODE 1S1555				L1508	1-421-390-11	COIL, FERRITE (PMC)
D502	8-719-200-02	DIODE 10E2				L1510	1-407-365-00	COIL, CHOKE
D503	8-719-300-76	DIODE RH1A				L1511	1-407-365-00	COIL, CHOKE
D504	8-719-300-76	DIODE RH1A				L1512	1-459-308-31	COIL, HORIZONTAL LINEARITY
D506	8-719-200-02	DIODE 10E2						
D508	8-719-110-34	DIODE RD13ES-B						

The components identified by shading and mark **A** are critical for safety. Replace only with part number specified.



# PVM-2730QM

RM-668

D

Ref.No.	Part No.	Description	Remark	Ref.No.	Part No.	Description	Remark
<u>IC LINK</u>							
PS501	1-532-727-11	LINK, IC		R506	1-249-435-11	CARBON 33K 5%	1/6W
<u>TRANSISTOR</u>							
Q501	8-729-178-54	TRANSISTOR 2SC2785		R507	1-249-424-11	CARBON 3.9K 5%	1/6W
Q502	8-729-178-54	TRANSISTOR 2SC2785		R508	1-247-726-11	CARBON 33K 5%	1/4W
Q503	8-729-117-54	TRANSISTOR 2SA1175		R509	1-249-428-11	CARBON 8.2K 5%	1/6W
Q505	8-729-117-54	TRANSISTOR 2SA1175		R510	1-249-431-11	CARBON 15K 5%	1/6W
Q506	8-729-178-54	TRANSISTOR 2SC2785		R511	1-249-432-11	CARBON 18K 5%	1/6W
Q510	8-729-195-82	TRANSISTOR 2SC2958		R512	1-247-158-00	CARBON 13K 5%	1/4W
Q511	8-729-122-02	TRANSISTOR 2SA1220A		R513	1-249-430-11	CARBON 12K 5%	1/6W
Q512	8-729-169-02	TRANSISTOR 2SC2690A		R514	1-215-466-00	CARBON 75K 5%	1/6W
Q515	8-729-117-54	TRANSISTOR 2SA1175		R515	1-249-468-11	CARBON 82K 5%	1/4W
Q516	8-729-177-43	TRANSISTOR 2SD774		R516	1-247-713-11	CARBON 1K 5%	1/4W
Q518	8-729-178-54	TRANSISTOR 2SC2785		R517	1-249-420-11	CARBON 1.8K 5%	1/6W
Q522	8-729-117-54	TRANSISTOR 2SA1175		R518	1-247-721-11	CARBON 4.7K 5%	1/4W
Q523	8-729-117-54	TRANSISTOR 2SA1175		R519	1-247-715-11	CARBON 1.5K 5%	1/4W
Q1501	8-729-117-54	TRANSISTOR 2SA1175		R520	1-249-429-11	CARBON 10K 5%	1/6W
Q1503	8-729-203-81	TRANSISTOR 2SC22388		R521	1-249-434-11	CARBON 27K 5%	1/6W
Q1504	8-729-301-74	TRANSISTOR 2SD1497-04		R522	1-249-438-11	CARBON 56K 5%	1/6W
	4-374-410-01	SPACER, MICA; Q1504		R523	1-214-765-00	METAL 33K 1%	1/4W
	*4-374-413-01	RETAINER (A), TR; Q1504		R525	1-216-353-00	METAL OXIDE 2.2 5%	1W F
Q1505	8-729-177-43	TRANSISTOR 2SD774		R526	1-249-423-11	CARBON 3.3K 5%	1/6W
Q1506	8-729-103-43	TRANSISTOR 2SB734		R527	1-249-420-11	CARBON 1.8K 5%	1/6W
Q1507	8-726-420-00	THYRISTOR SG-264A		R528	1-249-413-11	CARBON 470 5%	1/6W
	3-703-320-00	BUSHING (A), TRANSISTOR; Q1507		R529	1-249-414-11	CARBON 560 5%	1/6W
	4-303-844-00	SPACER, MICA (4) MD-17; Q1507		R530	1-247-705-11	CARBON 270 5%	1/4W
	*4-309-762-00	RETAINER (MD-17), TRANSISTOR; Q1507		R536	1-249-393-11	CARBON 10 5%	1/6W F
Q1508	8-729-301-74	TRANSISTOR 2SD1497-04		R537	1-249-399-11	CARBON 33 5%	1/6W F
	4-374-410-01	SPACER, MICA; Q1508		R538	1-215-869-11	METAL OXIDE 1K 5%	1W F
	*4-374-413-01	RETAINER (A), TR; Q1508		R539	1-216-350-11	METAL OXIDE 1.2 5%	1W F
Q1511	8-729-103-43	TRANSISTOR 2SB734		R540	1-249-405-11	CARBON 100 5%	1/6W F
Q1512	8-729-117-54	TRANSISTOR 2SA1175		R541	1-216-350-11	METAL OXIDE 1.2 5%	1W F
Q1513	8-729-178-54	TRANSISTOR 2SC2785		R542	1-215-865-11	METAL OXIDE 220 5%	1W F
Q1514	8-729-178-54	TRANSISTOR 2SC2785		R543	1-249-382-11	CARBON 1.2 5%	1/6W F
Q1515	8-729-178-54	TRANSISTOR 2SC2785		R544	1-215-869-11	METAL OXIDE 1K 5%	1W F
Q1520	8-729-168-82	TRANSISTOR 2SC2688		R546	1-247-715-11	CARBON 1.5K 5%	1/4W
	4-377-115-01	SPACER, MICA; Q1520		R551	1-216-432-00	METAL OXIDE 820 5%	1W F
	*4-381-170-01	HO'LER, TR; Q1520		R552	1-247-720-11	CARBON 3.9K 5%	1/4W
Q1521	8-729-900-36	TRANSISTOR DTC124ES		R553	1-215-891-11	METAL OXIDE 680 5%	2W F
Q1522	8-729-900-36	TRANSISTOR DTC124ES		R554	1-247-721-11	CARBON 4.7K 5%	1/4W
Q1523	8-729-900-36	TRANSISTOR DTC124ES		R557	1-247-725-11	CARBON 10K 5%	1/4W
Q1524	8-729-900-36	TRANSISTOR DTC124ES		R558	1-249-427-11	CARBON 6.8K 5%	1/6W
Q1525	8-729-900-36	TRANSISTOR DTC124ES		R560	1-249-417-11	CARBON 1K 5%	1/6W
Q1526	8-729-900-36	TRANSISTOR DTC124ES		R561	1-247-708-11	CARBON 470 5%	1/4W
<u>RESISTOR</u>							
R501	1-215-485-00	CARBON 470K 5%	1/6W	R562	1-247-704-11	CARBON 220 5%	1/4W
R502	1-249-427-11	CARBON 6.8K 5%	1/6W	R563	1-247-704-11	CARBON 220 5%	1/4W
R503	1-249-425-11	CARBON 4.7K 5%	1/6W	R564	1-247-711-11	CARBON 680 5%	1/4W
R504	1-249-429-11	CARBON 10K 5%	1/6W	R581	1-249-427-11	CARBON 6.8K 5%	1/6W
R505	1-249-421-11	CARBON 2.2K 5%	1/6W	R582	1-249-441-11	CARBON 100K 5%	1/6W
				R593	1-215-926-00	METAL OXIDE 33K 5%	3W F
				R593A	1-215-926-00	METAL OXIDE 33K 5%	3W F
				R594	1-249-460-11	CARBON 15K 5%	1/4W
				R595	1-249-431-11	CARBON 15K 5%	1/6W
				R596	1-246-488-00	CARBON 4.3K 5%	1/4W
				R597	1-249-461-11	CARBON 18K 5%	1/4W
				R598	1-214-750-00	METAL 7.5K 1%	1/4W

**PVM-2730QM**  
 RM-668

**D**

Ref.No.	Part No.	Description	Remark			Ref.No.	Part No.	Description	Remark		
R599	1-214-741-00	METAL	3.3K	1%	1/4W	R1563	1-249-422-11	CARBON	2.7K	5%	1/6W
R1501	1-249-411-11	CARBON	330	5%	1/6W	R1564	1-249-405-11	CARBON	100	5%	1/6W
R1502	1-247-723-11	CARBON	6.8K	5%	1/4W	R1565	1-249-462-11	CARBON	22K	5%	1/4W
R1503	1-249-405-11	CARBON	100	5%	1/6W	R1566	1-249-439-11	CARBON	68K	5%	1/6W
R1504	1-249-435-11	CARBON	33K	5%	1/6W	R1567	1-249-435-11	CARBON	33K	5%	1/6W
R1505	1-249-436-11	CARBON	39K	5%	1/6W	R1568	1-247-713-11	CARBON	1K	5%	1/4W
R1506	1-247-894-00	CARBON	430K	5%	1/6W	R1571	1-249-382-11	CARBON	1.2	5%	1/6W
R1507	1-249-462-11	CARBON	22K	5%	1/4W	R1572	1-249-448-11	CARBON	1.2	5%	1/4W
R1508	1-249-429-11	CARBON	10K	5%	1/6W	R1573	1-249-382-11	CARBON	1.2	5%	1/6W
R1509	1-249-405-11	CARBON	100	5%	1/6W	R1574	1-216-424-11	METAL OXIDE	39	5%	1W
R1510	1-249-433-11	CARBON	22K	5%	1/6W	R1575	1-249-382-11	CARBON	1.2	5%	1/6W
R1511	1-215-471-00	CARBON	120K	5%	1/6W	R1576	1-215-869-11	METAL OXIDE	1K	5%	1W
R1512	1-249-440-11	CARBON	82K	5%	1/6W	R1577	1-249-425-11	CARBON	4.7K	5%	1/6W
R1513	1-249-423-11	CARBON	3.3K	5%	1/6W	R1578	1-202-723-00	SOLID	2.2M	10%	1/2W
R1514	1-247-868-00	CARBON	36K	5%	1/6W	R1579	1-247-718-11	CARBON	2.7K	5%	1/4W
R1516	1-249-430-11	CARBON	12K	5%	1/6W	R1580	1-249-439-11	CARBON	68K	5%	1/6W
R1518	1-249-429-11	CARBON	10K	5%	1/6W	R1581	1-249-441-11	CARBON	100K	5%	1/6W
R1520	1-249-435-11	CARBON	33K	5%	1/6W	R1582	1-249-429-11	CARBON	10K	5%	1/6W
R1521	1-247-701-11	CARBON	120	5%	1/4W	R1583	1-249-427-11	CARBON	6.8K	5%	1/6W
R1525	1-247-723-11	CARBON	6.8K	5%	1/4W	R1584	1-249-421-11	CARBON	2.2K	5%	1/6W
R1530	1-247-700-11	CARBON	100	5%	1/4W	R1585	1-247-713-11	CARBON	1K	5%	1/4W
R1531	1-247-713-11	CARBON	1K	5%	1/4W	R1588	1-215-871-11	METAL OXIDE	2.2K	5%	1W
R1532	1-215-922-11	METAL OXIDE	6.8K	5%	3W	R1589	1-247-726-11	CARBON	33K	5%	1/4W
R1532A	1-215-922-11	METAL OXIDE	6.8K	5%	3W	R1590	1-247-726-11	CARBON	33K	5%	1/4W
R1533	1-247-721-11	CARBON	4.7K	5%	1/4W	R1592	1-214-779-00	METAL	120K	1%	1/4W
R1534	1-215-918-00	METAL OXIDE	1.5K	5%	3W	R1593	1-214-781-00	METAL	150K	1%	1/4W
R1534A	1-216-482-11	METAL OXIDE	1.8K	5%	3W	R1594	1-247-722-11	CARBON	5.6K	5%	1/4W
R1535	1-216-388-11	METAL OXIDE	0.82	5%	3W	R1595	1-214-777-00	METAL	100K	1%	1/4W
R1536	1-247-697-11	CARBON	56	5%	1/4W	R1597	1-214-752-00	METAL	9.1K	1%	1/4W
R1537	1-249-385-11	CARBON	2.2	5%	1/6W	R1598	1-214-749-00	METAL	6.8K	1%	1/4W
R1538	1-249-385-11	CARBON	2.2	5%	1/6W	R1599	1-215-473-00	CARBON	150K	5%	1/6W
R1539	1-216-434-11	METAL OXIDE	1.8K	5%	1W	R1600	1-249-405-11	CARBON	100	5%	1/6W
R1541	1-215-915-11	METAL OXIDE	470	5%	3W	R1601	1-246-531-00	CARBON	270K	5%	1/4W
R1541A	1-216-479-11	METAL OXIDE	560	5%	3W	R1602	1-215-477-00	CARBON	220K	5%	1/6W
R1542	1-215-880-00	METAL OXIDE	10	5%	2W	R1603	1-247-725-11	CARBON	10K	5%	1/4W
R1543	1-215-869-11	METAL OXIDE	1K	5%	1W	R1604	1-247-725-11	CARBON	10K	5%	1/4W
R1544	1-216-448-11	METAL OXIDE	39	5%	2W	R1605	1-247-725-11	CARBON	10K	5%	1/4W
R1545	1-247-693-11	CARBON	27	5%	1/4W	R1606	1-247-725-11	CARBON	10K	5%	1/4W
R1546	1-216-371-00	METAL OXIDE	1.5	5%	2W	R1607	1-247-725-11	CARBON	10K	5%	1/4W
R1547	1-247-697-11	CARBON	56	5%	1/4W	R1608	1-249-469-11	CARBON	100K	5%	1/4W
R1548	1-249-382-11	CARBON	1.2	5%	1/6W	R1609	1-249-433-11	CARBON	22K	5%	1/6W
R1549	1-249-382-11	CARBON	1.2	5%	1/6W	R1610	1-247-725-11	CARBON	10K	5%	1/4W
R1552	1-247-725-11	CARBON	10K	5%	1/4W	R1611	1-249-433-11	CARBON	22K	5%	1/6W
R1553	1-249-425-11	CARBON	4.7K	5%	1/6W	R1612	1-249-422-11	CARBON	2.7K	5%	1/6W
R1554	1-247-705-11	CARBON	270	5%	1/4W	R1613	1-249-451-11	CARBON	2.2	5%	1/4W
R1555	1-249-465-11	CARBON	47K	5%	1/4W	R1614	1-247-700-11	CARBON	100	5%	1/4W
R1556	1-249-425-11	CARBON	4.7K	5%	1/6W	VARIABLE RESISTOR					
R1557	1-249-429-11	CARBON	10K	5%	1/6W	RV501	1-228-717-00	RES, ADJ, CERAMIC CARBON	220		
R1558	1-249-425-11	CARBON	4.7K	5%	1/6W	RV503	1-228-727-00	RES, ADJ, CERAMIC CARBON	47K		
R1559	1-249-417-11	CARBON	1K	5%	1/6W	RV1501	1-228-723-00	RES, ADJ, CERAMIC CARBON	4.7K		
R1560	1-247-862-00	CARBON	20K	5%	1/6W	RV1503	1-228-720-00	RES, ADJ, CERAMIC CARBON	1K		
R1561	1-214-746-00	METAL	5.1K	1%	1/4W	RV1505	1-228-720-00	RES, ADJ, CERAMIC CARBON	1K		
R1562	1-247-713-11	CARBON	1K	5%	1/4W						

**PVM-2730QM**  
RM-668



Ref.No.	Part No.	Description	Remark	Ref.No.	Part No.	Description	Remark
RV1506	1-228-727-00	RES, ADJ, CERAMIC CARBON 47K		R986	1-249-429-11	CARBON 10K 5% 1/6W	
RV1510	1-228-720-00	RES, ADJ, CERAMIC CARBON 1K		R988	1-249-405-11	CARBON 100 5% 1/6W	
RV1511	1-228-729-00	RES, ADJ, CERAMIC CARBON 220K		R989	1-249-417-11	CARBON 1K 5% 1/6W	
<u>SPARK GAP</u>				R990	1-249-432-11	CARBON 18K 5% 1/6W	
SG1501	1-519-063-XX	DISCHARGING GAP		R991	1-249-408-11	CARBON 180 5% 1/6W	
<u>TRANSFORMER</u>				R992	1-249-427-11	CARBON 6.8K 5% 1/6W	
T1501A	1-437-089-11	TRANSFORMER, HORIZONTAL DRIVE		R993	1-249-418-11	CARBON 1.2K 5% 1/6W	
T1502	1-437-089-00	TRANSFORMER, HORIZONTAL DRIVE		R994	1-249-420-11	CARBON 1.8K 5% 1/6W	
T1503A	1-439-356-11	HOT		<u>VARIABLE RESISTOR</u>			
T1513A	1-421-388-11	LOT		RV982	1-237-349-11	RES, VAR, CARBON 10K	
<u>THERMISTOR</u>				RV983	1-237-712-11	RES, VAR, CARBON 10K	
TH501	1-800-070-XX	THERMISTOR TH-4700		RV984	1-237-712-11	RES, VAR, CARBON 10K	
*****				RV985	1-237-350-11	RES, VAR, CARBON 20K	
*1-621-541-11	HD BOARD	*****		RV986	1-230-631-11	RES, ADJ, CARBON 22K	
<u>SWITCH</u>				RV987	1-237-348-11	RES, VAR, CARBON 5K	
S996	1-570-145-11	SWITCH, SLIDE		*****			
S997	1-570-145-11	SWITCH, SLIDE		*A-1380-192-A	K BOARD, COMPLETE	*****	
*****				4-309-378-00	WASHER		
*A-1375-066-A	HC BOARD, COMPLETE	*****		<u>CAPACITOR</u>			
<u>CAPACITOR</u>				C201	1-123-379-00	ELECT 0.47MF 20% 50V	
C982	1-130-023-00	FILM 0.0027MF 5% 50V		C202	1-124-042-91	ELECT 0.47MF 20% 50V	
C983	1-130-028-00	FILM 0.0068MF 5% 50V		C203	1-123-332-00	ELECT 47MF 20% 16V	
C984	1-108-837-00	MYLAR 0.01MF 10% 50V		C204	1-123-332-00	ELECT 47MF 20% 16V	
C985	1-123-617-00	ELECT 10MF 20% 16V		C205	1-108-850-11	MYLAR 0.12MF 10% 50V	
C986	1-123-356-00	ELECT 10MF 20% 25V		C206	1-102-125-00	CERAMIC 0.0047MF 10% 50V	
<u>DIODE</u>				C207	1-102-125-00	CERAMIC 0.0047MF 10% 50V	
D971	8-719-109-85	DIODE RD5.1ES-B2		C208	1-108-850-11	MYLAR 0.12MF 10% 50V	
<u>CONNECTOR</u>				C209	1-123-369-00	ELECT 4.7MF 20% 25V	
HC1	*1-566-057-11	PIN, CONNECTOR 5P		C210	1-123-369-00	ELECT 4.7MF 20% 25V	
HC2	*1-566-056-11	PIN, CONNECTOR 4P		C211	1-123-369-00	ELECT 4.7MF 20% 25V	
HC3	*1-566-054-11	PIN, CONNECTOR 2P		C212	1-123-369-00	ELECT 4.7MF 20% 25V	
HC4	*1-566-054-11	PIN, CONNECTOR 2P		C213	1-123-321-00	ELECT 220MF 20% 16V	
<u>IC</u>				C218	1-124-555-00	ELECT 1000MF 20% 16V	
IC985	8-759-933-23	IC BA236		C219	1-123-973-00	ELECT 100MF 20% 16V	
<u>RESISTOR</u>				C220	1-124-042-91	ELECT 0.47MF 20% 50V	
R982	1-249-429-11	CARBON 10K 5% 1/6W		C221	1-124-042-91	ELECT 0.47MF 20% 50V	
R983	1-249-417-11	CARBON 1K 5% 1/6W		C222	1-162-283-31	CERAMIC 120PF 10% 50V	
R984	1-249-429-11	CARBON 10K 5% 1/6W		C223	1-162-283-31	CERAMIC 120PF 10% 50V	
R985	1-249-417-11	CARBON 1K 5% 1/6W		C224	1-124-034-91	ELECT 33MF 20% 16V	
*****				C225	1-123-332-00	ELECT 47MF 20% 16V	
*****				C227	1-108-849-00	MYLAR 0.1MF 10% 50V	
*****				C228	1-123-379-00	ELECT 0.47MF 20% 50V	
*****				C229	1-124-042-91	ELECT 0.47MF 20% 50V	
*****				C230	1-162-283-31	CERAMIC 120PF 10% 50V	
*****				C231	1-162-283-31	CERAMIC 120PF 10% 50V	
*****				C232	1-124-034-91	ELECT 33MF 20% 16V	
*****				C233	1-123-332-00	ELECT 47MF 20% 16V	
*****				C235	1-108-849-00	MYLAR 0.1MF 10% 50V	
*****				C236	1-124-471-00	ELECT 1000MF 20% 6.3V	

The components identified by shading and mark **A** are critical for safety. Replace only with part number specified.



**PVM-2730QM**  
RM-668

**K HA**

Ref.No.	Part No.	Description	Remark
C237	1-102-074-00	CERAMIC 0.001MF	10% 50V
C238	1-102-074-00	CERAMIC 0.001MF	10% 50V
C239	1-101-006-00	CERAMIC 0.047MF	50V
C240	1-101-006-00	CERAMIC 0.047MF	50V
C241	1-101-006-00	CERAMIC 0.047MF	50V
C242	1-125-296-00	ELECT(BLOCK) 4700MF	35V
C243	1-125-296-00	ELECT(BLOCK) 4700MF	35V
C244	1-123-332-00	ELECT 47MF	20% 16V
C246	1-123-356-00	ELECT 10MF	20% 16V
C251	1-123-356-00	ELECT 10MF	20% 25V
C252	1-123-875-91	ELECT 10MF	20% 50V
<u>DIODE</u>			
D201	8-719-109-93	DIODE RD6.2ES-B2	
D202	8-719-911-19	DIODE 1SS119	
D203	8-719-110-36	DIODE RD13ES-B2	
D204	8-719-110-36	DIODE RD13ES-B2	
<u>IC</u>			
IC201	8-759-276-30	IC TA7630P	
IC204	8-759-111-88	IC UPC1188H	
IC205	8-759-111-88	IC UPC1188H	
<u>CONNECTOR</u>			
K1	*1-566-057-11	PIN, CONNECTOR 5P	
K2	*1-508-767-00	5P PLUG	
K3	*1-566-056-11	PIN, CONNECTOR 4P	
K4	*1-566-054-11	PIN, CONNECTOR 2P	
K5	*1-508-765-00	3P PLUG (M)	
K7	*1-566-054-11	PIN, CONNECTOR 2P	
<u>COIL</u>			
L201	1-408-424-00	MICRO INDUCTOR 180UH	
<u>TRANSISTOR</u>			
Q201	8-729-178-54	TRANSISTOR 2SC2785	
Q204	8-729-178-54	TRANSISTOR 2SC2785	
Q205	8-729-178-54	TRANSISTOR 2SC2785	
Q206	8-729-117-54	TRANSISTOR 2SA1175	
Q209	8-729-117-54	TRANSISTOR 2SA1175	
Q211	8-729-177-43	TRANSISTOR 2SD774	
<u>RESISTOR</u>			
R201	1-249-441-11	CARBON 100K 5%	1/6W
R202	1-249-441-11	CARBON 100K 5%	1/6W
R203	1-249-419-11	CARBON 1.5K 5%	1/6W
R204	1-249-429-11	CARBON 10K 5%	1/6W
R205	1-249-430-11	CARBON 12K 5%	1/6W
R206	1-249-430-11	CARBON 12K 5%	1/6W
R207	1-249-419-11	CARBON 1.5K 5%	1/6W
R208	1-249-419-11	CARBON 1.5K 5%	1/6W
R211	1-249-420-11	CARBON 1.8K 5%	1/6W
R221	1-249-403-11	CARBON 68 5%	1/6W F

Ref.No.	Part No.	Description	Remark
R222	1-249-429-11	CARBON 10K 5%	1/6W
R223	1-249-432-11	CARBON 18K 5%	1/6W
R224	1-249-437-11	CARBON 47K 5%	1/6W
R225	1-249-409-11	CARBON 220 5%	1/6W
R227	1-249-430-11	CARBON 12K 5%	1/6W
R228	1-249-390-11	CARBON 5.6 5%	1/6W F
R229	1-249-429-11	CARBON 10K 5%	1/6W
R230	1-249-432-11	CARBON 18K 5%	1/6W
R231	1-249-437-11	CARBON 47K 5%	1/6W
R232	1-249-409-11	CARBON 220 5%	1/6W
R234	1-249-430-11	CARBON 12K 5%	1/6W
R235	1-249-390-11	CARBON 5.6 5%	1/6W F
R236	1-249-429-11	CARBON 10K 5%	1/6W
R237	1-249-429-11	CARBON 10K 5%	1/6W
R238	1-249-423-11	CARBON 3.3K 5%	1/6W
R239	1-249-437-11	CARBON 47K 5%	1/6W
R240	1-249-430-11	CARBON 12K 5%	1/6W
R241	1-249-441-11	CARBON 100K 5%	1/6W
R242	1-249-429-11	CARBON 10K 5%	1/6W
R243	1-249-417-11	CARBON 1K 5%	1/6W
R244	1-249-417-11	CARBON 1K 5%	1/6W
R245	1-249-417-11	CARBON 1K 5%	1/6W
R246	1-249-417-11	CARBON 1K 5%	1/6W
R252	1-249-419-11	CARBON 1.5K 5%	1/6W
R257	1-249-423-11	CARBON 3.3K 5%	1/6W
*****			
		*9-992-247-01	HA BOARD (KEY BOARD UNIT A) *****
<u>DIODE</u>			
D905	8-719-911-19	DIODE 1SS119	
D906	8-719-911-19	DIODE 1SS119	
D907	8-719-911-19	DIODE 1SS119	
D908	8-719-911-19	DIODE 1SS119	
D909	8-719-911-19	DIODE 1SS119	
D910	8-719-911-19	DIODE 1SS119	
D911	9-990-893-01	LED TLY263P	
D912	9-990-893-01	LED TLY263P	
D913	9-990-893-01	LED TLY263P	
D914	9-990-893-01	LED TLY263P	
D915	9-990-893-01	LED TLY263P	
D916	9-990-893-01	LED TLY263P	
D917	9-990-893-01	LED TLY263P	
D918	9-990-893-01	LED TLY263P	
D919	9-990-893-01	LED TLY263P	
D920	9-990-893-01	LED TLY263P	
D921	9-990-893-01	LED TLY263P	
D922	9-990-893-01	LED TLY263P	
D923	9-990-893-01	LED TLY263P	
D924	9-990-893-01	LED TLY263P	
D925	9-990-893-01	LED TLY263P	
D926	9-990-893-01	LED TLY263P	

**PVM-2730QM**  
RM-668



Ref.No.	Part No.	Description	Remark
D927	9-990-893-01	LED TLY263P	
D928	9-990-893-01	LED TLY263P	
D929	9-990-893-01	LED TLY263P	
D930	9-990-893-01	LED TLY263P	
D931	9-990-893-01	LED TLY263P	
<u>RESISTOR</u>			
R905	1-247-700-11	CARBON	100 5% 1/4W
R906	1-247-704-11	CARBON	220 5% 1/4W
R907	1-247-700-11	CARBON	100 5% 1/4W
R908	1-247-704-11	CARBON	220 5% 1/4W
R909	1-247-700-11	CARBON	100 5% 1/4W
R910	1-247-704-11	CARBON	220 5% 1/4W
R911	1-247-700-11	CARBON	100 5% 1/4W
R912	1-247-704-11	CARBON	220 5% 1/4W
R913	1-247-700-11	CARBON	100 5% 1/4W
R914	1-247-704-11	CARBON	220 5% 1/4W
R915	1-247-700-11	CARBON	100 5% 1/4W
R916	1-247-704-11	CARBON	220 5% 1/4W
R917	1-247-704-11	CARBON	220 5% 1/4W
R918	1-247-704-11	CARBON	220 5% 1/4W
R919	1-247-704-11	CARBON	220 5% 1/4W
<u>SWITCH</u>			
S905	1-553-766-00	MT SWITCH (KEY BOARD SWITCH)	
S906	1-553-766-00	MT SWITCH (KEY BOARD SWITCH)	
S907	1-553-766-00	MT SWITCH (KEY BOARD SWITCH)	
S908	1-553-766-00	MT SWITCH (KEY BOARD SWITCH)	
S909	1-553-766-00	MT SWITCH (KEY BOARD SWITCH)	
S910	1-553-766-00	MT SWITCH (KEY BOARD SWITCH)	
S911	1-553-766-00	MT SWITCH (KEY BOARD SWITCH)	
S912	1-553-766-00	MT SWITCH (KEY BOARD SWITCH)	
S913	1-553-766-00	MT SWITCH (KEY BOARD SWITCH)	
S914	1-553-766-00	MT SWITCH (KEY BOARD SWITCH)	
S915	1-553-766-00	MT SWITCH (KEY BOARD SWITCH)	
*****			
*9-992-243-01	HB BOARD (KEY BOARD UNIT B)	*****	
<u>DIODE</u>			
D940	8-719-911-19	DIODE 1SS119	
D941	8-719-911-19	DIODE 1SS119	
D942	8-719-911-19	DIODE 1SS119	
D943	8-719-911-19	DIODE 1SS119	
D944	8-719-911-19	DIODE 1SS119	
D945	8-719-911-19	DIODE 1SS119	
D946	8-719-911-19	DIODE 1SS119	
D947	8-719-911-19	DIODE 1SS119	
D948	9-990-901-01	LED TLS263P	
D949	9-990-901-01	LED TLS263P	
D950	9-990-893-01	LED TLY263P	
D951	9-990-893-01	LED TLY263P	

Ref.No.	Part No.	Description	Remark
D952	9-990-893-01	LED TLY263P	
D953	9-990-893-01	LED TLY263P	
D954	9-990-893-01	LED TLY263P	
D955	9-990-893-01	LED TLY263P	
D956	9-990-893-01	LED TLY263P	
D957	9-990-893-01	LED TLY263P	
D958	9-990-893-01	LED TLY263P	
D959	9-990-893-01	LED TLY263P	
D960	9-990-893-01	LED TLY263P	
D961	9-990-893-01	LED TLY263P	
D962	9-990-893-01	LED TLY263P	
D963	9-990-893-01	LED TLY263P	
D964	9-990-893-01	LED TLY263P	
D965	9-990-893-01	LED TLY263P	
D968	9-990-901-01	LED TLS263P	
<u>RESISTOR</u>			
R940	1-247-703-11	CARBON	180 5% 1/4W
R941	1-247-700-11	CARBON	100 5% 1/4W
R942	1-247-704-11	CARBON	220 5% 1/4W
R943	1-247-700-11	CARBON	100 5% 1/4W
R944	1-247-704-11	CARBON	220 5% 1/4W
R945	1-247-700-11	CARBON	100 5% 1/4W
R946	1-247-700-11	CARBON	100 5% 1/4W
R947	1-247-700-11	CARBON	100 5% 1/4W
R948	1-247-700-11	CARBON	100 5% 1/4W
R949	1-247-700-11	CARBON	100 5% 1/4W
R950	1-247-700-11	CARBON	100 5% 1/4W
R951	1-247-700-11	CARBON	100 5% 1/4W
<u>SWITCH</u>			
S940	1-553-766-00	MT SWITCH (KEY BOARD SWITCH)	
S941	1-553-766-00	MT SWITCH (KEY BOARD SWITCH)	
S942	1-553-766-00	MT SWITCH (KEY BOARD SWITCH)	
S943	1-553-766-00	MT SWITCH (KEY BOARD SWITCH)	
S944	1-553-766-00	MT SWITCH (KEY BOARD SWITCH)	
S945	1-553-766-00	MT SWITCH (KEY BOARD SWITCH)	
S946	1-553-766-00	MT SWITCH (KEY BOARD SWITCH)	
S947	1-553-766-00	MT SWITCH (KEY BOARD SWITCH)	
S948	1-553-766-00	MT SWITCH (KEY BOARD SWITCH)	
S949	1-553-766-00	MT SWITCH (KEY BOARD SWITCH)	
*****			
*9-990-898-01	N BOARD (KEY BOARD UNIT B)	*****	
<u>IC</u>			
IC935	8-741-138-70	IC BX1387 (DETECTOR)	

Ref.No.	Part No.	Description	Remark
MISCELLANEOUS *****			
	△1-230-712-21	RESISTOR ASSY, HIGH-VOLTAGE	
	△1-426-278-21	COIL, DEMAGNETIZATION	
	△1-451-255-22	DEFLECTION YOKE (SY-164)	
	1-452-032-00	MAGNET, DISK; 10MM φ	
	1-452-094-00	MAGNET, ROTATAB'LE DISK; 15MM φ	
	1-452-146-21	MAGNET, BMC	
	△1-452-351-22	NECK ASSY, CRT (NA302)	
	1-464-792-12	KEY BOARD UNIT (A)	
	1-464-793-12	KEY BOARD UNIT (B)	
	△1-534-820-13	POWER CORD (AEP, AUS ONLY)	
	△1-534-820-13	POWER CORD (WG ONLY)	
S1901	△1-554-966-12	SWITCH, PUSH (AC POWER)(1 KEY)	
T1691	△1-439-339-13	TRANSFORMER ASSY, FLYBACK	
V901	△8-736-652-05	CRT (A64JKJ10X)(AEP, WG ONLY)	
	△8-736-654-05	CRT (A64JKJ10X)(AUS ONLY)	

\*\*\*\*\*

ACCESSORIES AND PACKING MATERIALS  
\*\*\*\*\*

Part No.	Description	Remark
A-1470-789-A	COMMANDER ASSY (RM-668)	
*4-371-192-01	CUSHION (FRONT)	
*4-380-432-01	BAG, PROTECTION	
*4-382-051-01	CUSHION (LOWER) (ASSY)	
*4-382-053-01	CUSHION (UPPER) (ASSY)	
4-385-601-01	INDIVIDUAL CARTON	
4-482-400-11	MANUAL, INSTRUCTION	

The components identified by shading and mark △ are critical for safety. Replace only with part number specified.



# PVM-2730QM

## RM-668

# SONY<sup>®</sup> SERVICE MANUAL

## SUPPLEMENT

### *AEP Model*

*Chassis No. SCC-A91A-A*

*Serial No 2,000,100 and later*

### *Australian Model*

*Chassis No. SCC-B04A-A*

*Serial No 2,000,601 and later*

### *West Germany Model*

*Chassis No. SCC-B05A-A*

*Serial No 2,000,301 and later*

No. 1

**SUBJECT : CIRCUIT MODIFICATION**

File this supplement with the service manual.

### INTRODUCTIONS

1. B, FA, FC, QB and K board have been added.
2. B, QA, QB, D<sub>2</sub> and D board have been modified.



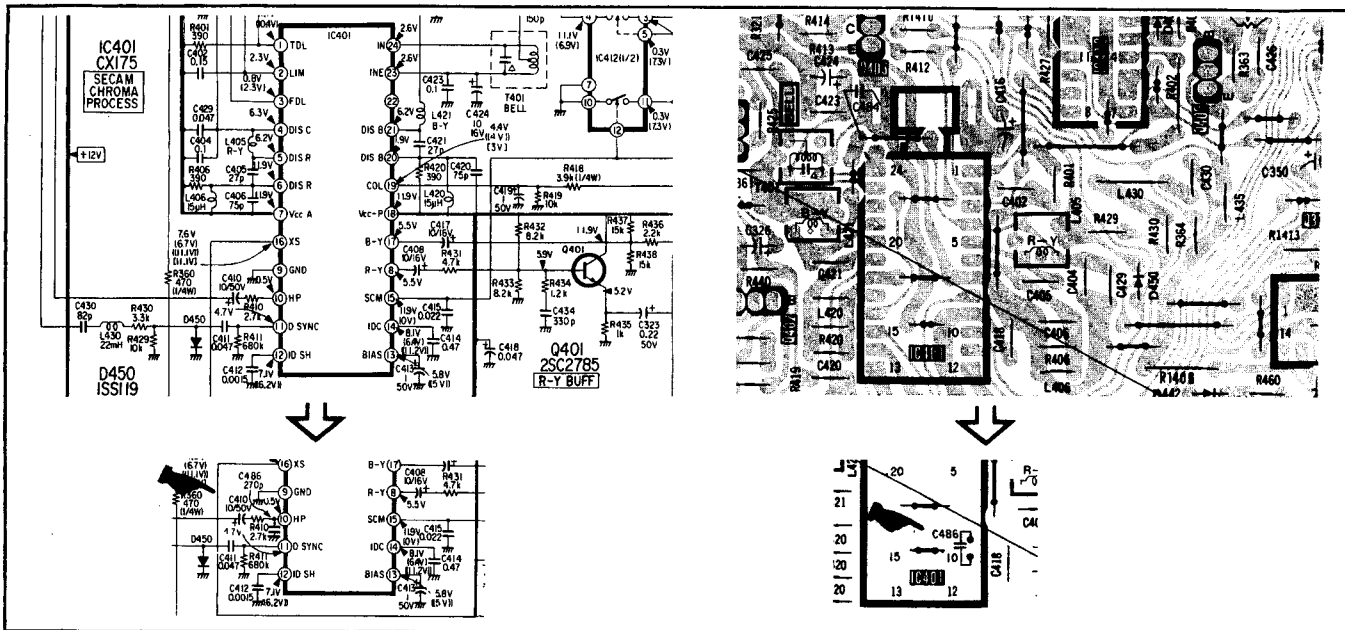
# PVM-2730QM

RM-668

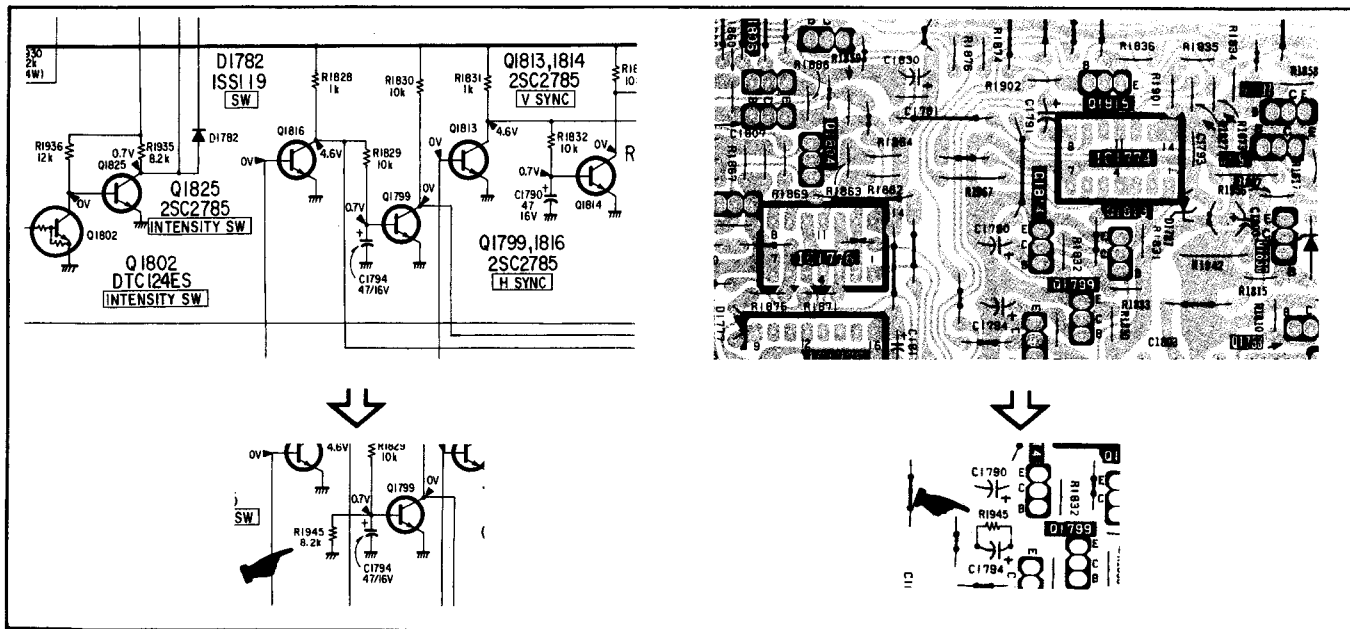
## SCHEMATIC DIAGRAM AND PRINTED WIRING BOARDS.

➡ : Added

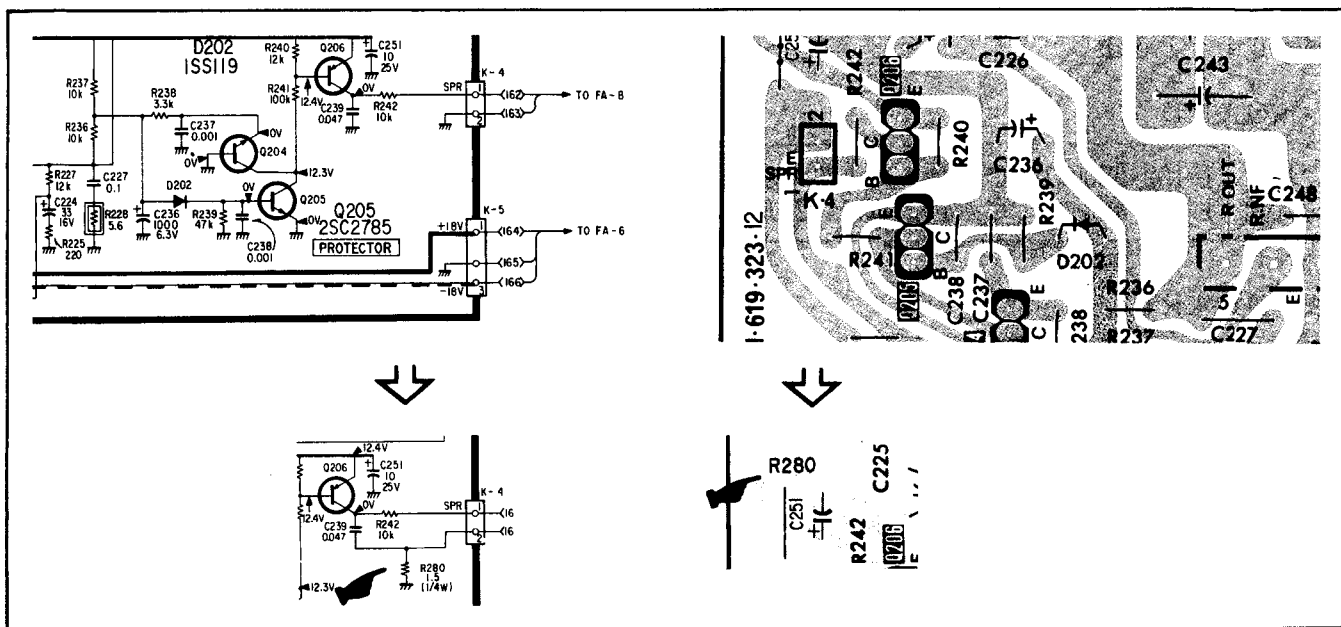
### B board (Page 43)



### QB board (Page 37)



K board (Page 36)



SCHEMATIC DIAGRAMS

: Modified

Board	Page	Ref	Description
B	44	R310	CARBON 5.6 K 1/4W→22K 1/4W
QA	35	R1738	CARBON 1K 1/6W→220 1/4W
D <sub>2</sub>	55	R2525	CARBON 5.6 K 1/6W→1K 1/4W
D	52	C1505	MYLAR 0.002 MF 100V→0.01FM 100V
	52	R1513	CARBON 3.3 K 1/6W→4.7K 1/4W
QB	37	C1823	FILM 0.22MF 50V→0.1MF 50V
		C1824	FILM 0.22MF 50V→0.1MF 50V
		C1825	FILM 0.22MF 50V→0.1MF 50V

: Delete

QA	35	C1730	CERAMIC 56PF 5% 50V
		C1733	CERAMIC 56PF 5% 50V
		C1734	CERAMIC 0.001 MF 50V
		C1737	CERAMIC 56PF 5% 50V
		C1739	CERAMIC 0.001 MF 50V
		C1740	CERAMIC 0.001 MF 50V
		C1741	CERAMIC 56PF 5% 50V
		C1751	CERAMIC 0.001 MF 50V



**PVM-2730QM**

RM-668

**ELECTRICAL PARTS LIST**

: Modified

**B BOARD**

C486	1-102-980-91	CERAMIC 270 PF 5% 50V
R310	1-249-462-11	CARBON 22K 5% 1/4W

**FA BOARD**

R679	1-215-924-51	METAL OXIDE 15K 5% 3W F
------	--------------	-------------------------

**FC BOARD**

C615	1-102-074-91	CERAMIC 0.001 MF 10% 50V
------	--------------	--------------------------

**QA BOARD**

R1738	1-249-409-11	CARBON 220 5% 1/4W
-------	--------------	--------------------

**QB BOARD**

C1823	1-136-165-51	FILM 0.1 MF 5% 50V
C1824	1-136-165-51	FILM 0.1 MF 5% 50V
C1825	1-136-165-51	FILM 0.1 MF 5% 50V

**D<sub>2</sub> BOARD**

R2525	1-249-417-11	CARBON 1K 5% 1/4W
-------	--------------	-------------------

**D BOARD**

C1505	1-106-367-00	MYLAR 0.01MF 10% 100V
R1513	1-249-425-11	CARBON 4.7 K 5% 1/4W

**K BOARD**

R280	1-249-449-11	CARBON 1.5 5% 1/4W
------	--------------	--------------------

# PVM-2730QM

## RM-668

# SONY SERVICE MANUAL

### *AEP Model*

*Chassis No. SCC-A91A-A*

*Serial No 2,000,100 and later*

### *Australian Model*

*Chassis No. SCC-B04A-A*

*Serial No 2,000,601 and later*

### *West Germany Model*

*Chassis No. SCC-B05A-A*

*Serial No 2,000,301 and later*

## SUPPLEMENT-2

**SUBJECT : CIRCUIT MODIFICATION**

File this supplement with the service manual.

### INTRODUCTION

1. D board have been added.



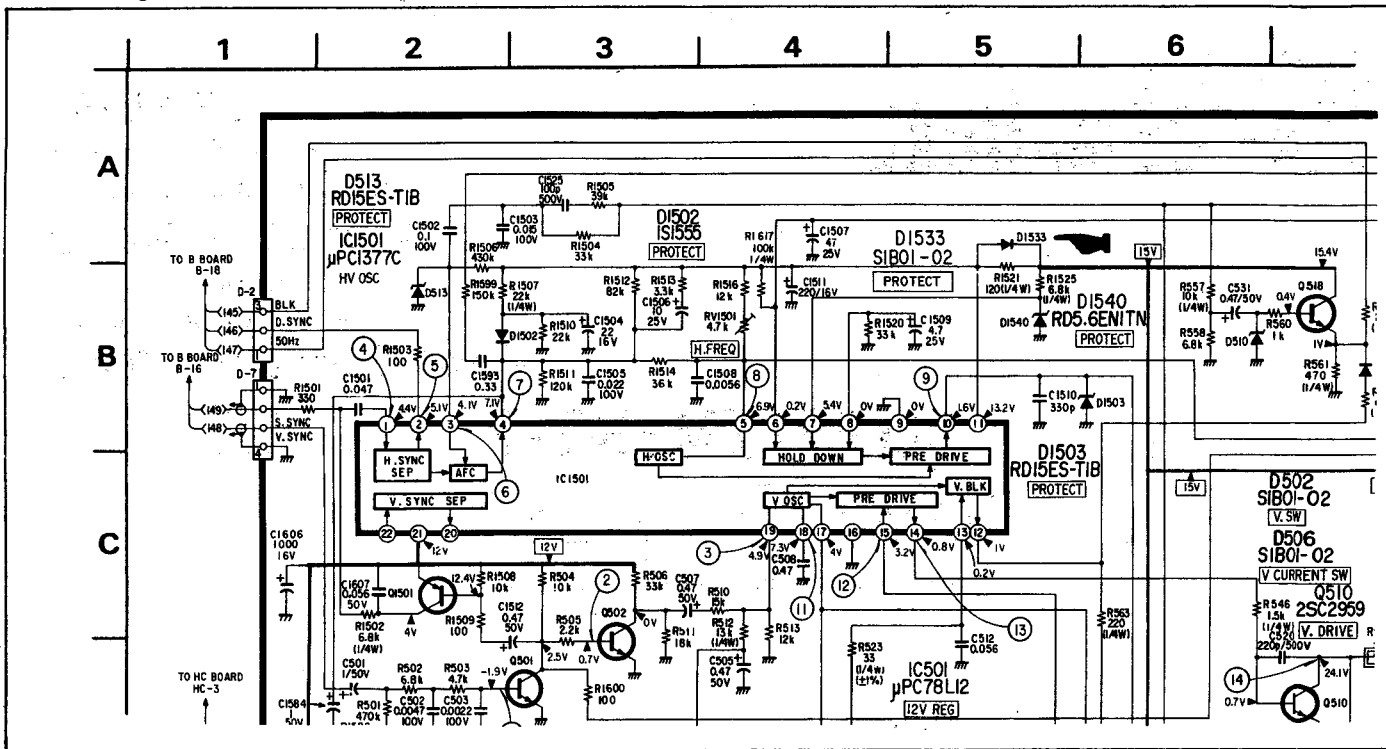
# PVM-2730QM RM-668

## SECTION 5 DIAGRAMS

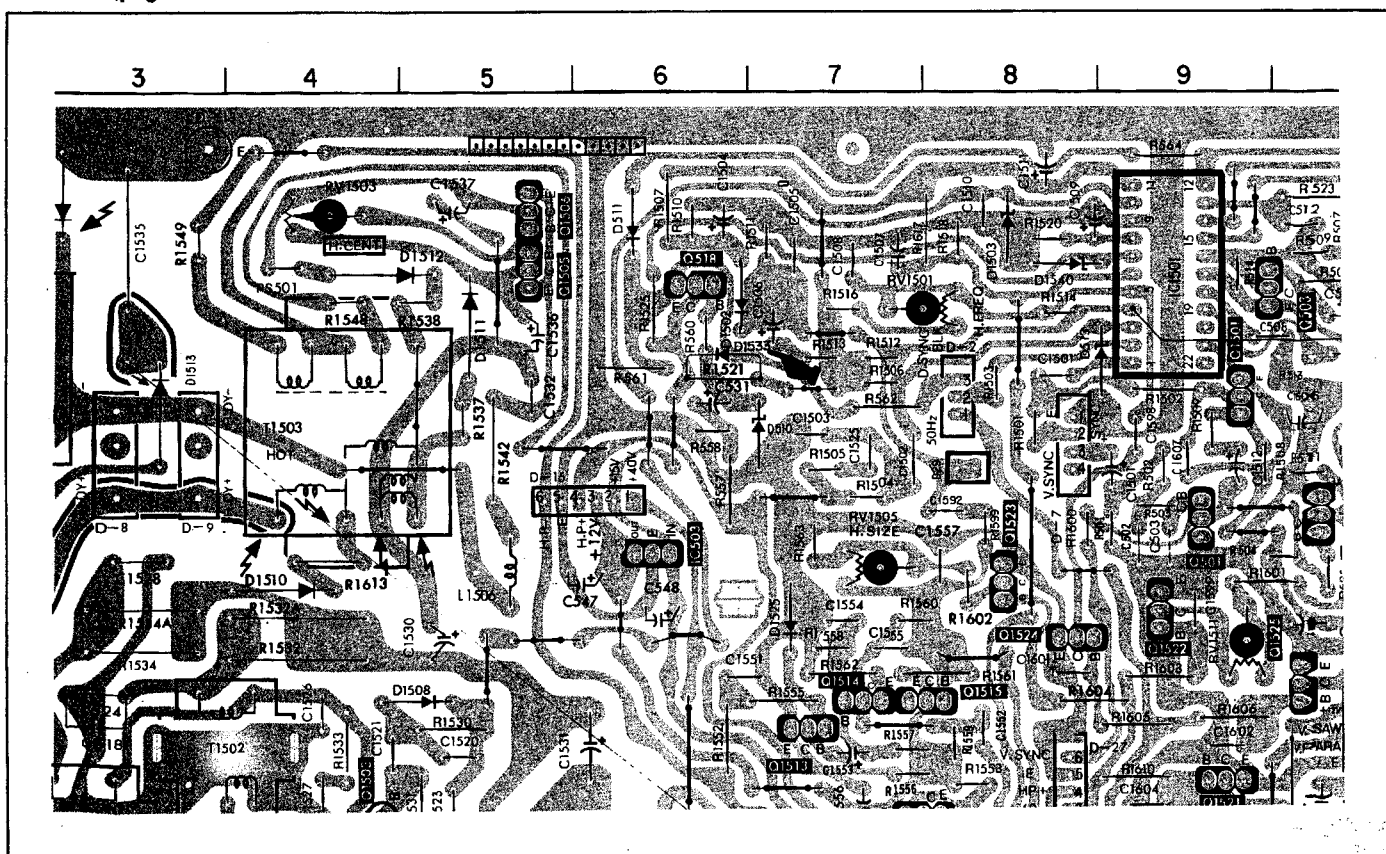
## 5-3. SCHEMATIC DIAGRAMS AND PRINTED WIRING BOARDS

:added part

D board (Page 52) D1533

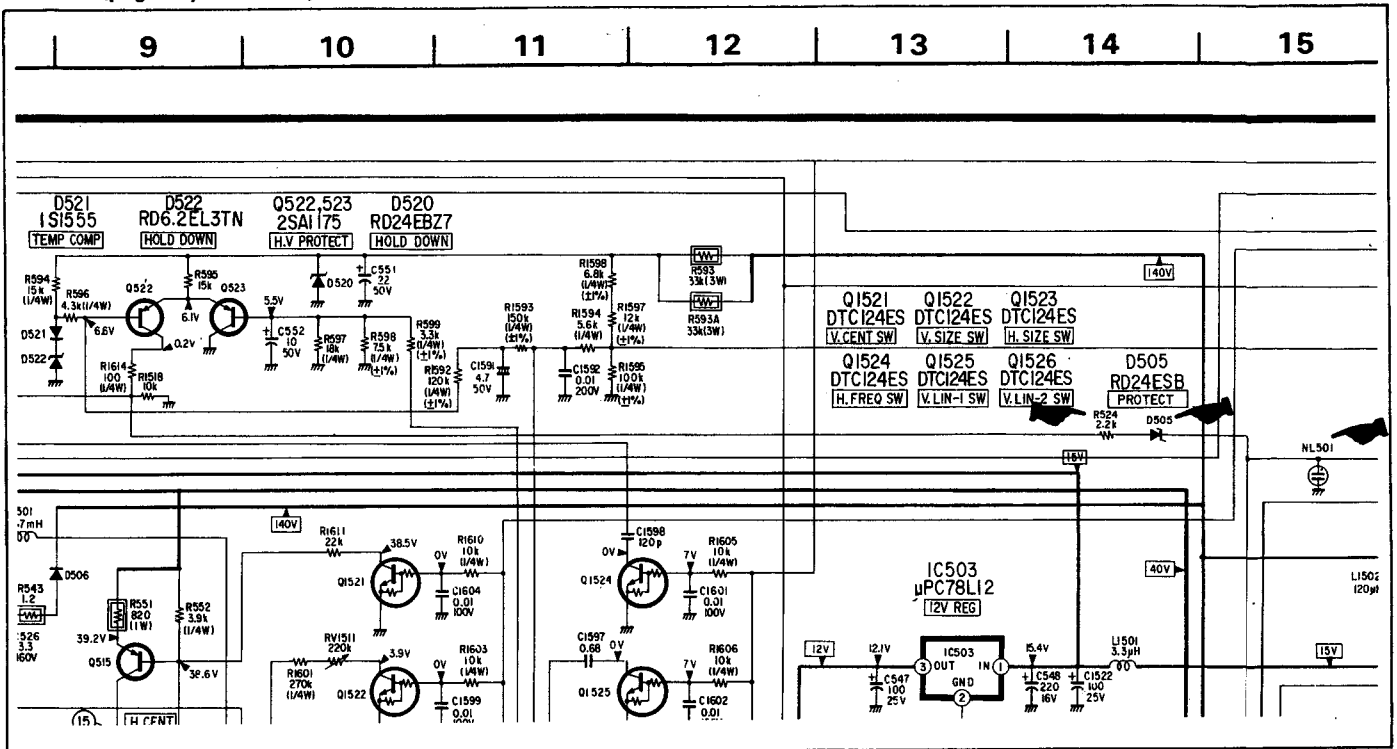


D board (page 57) D1533

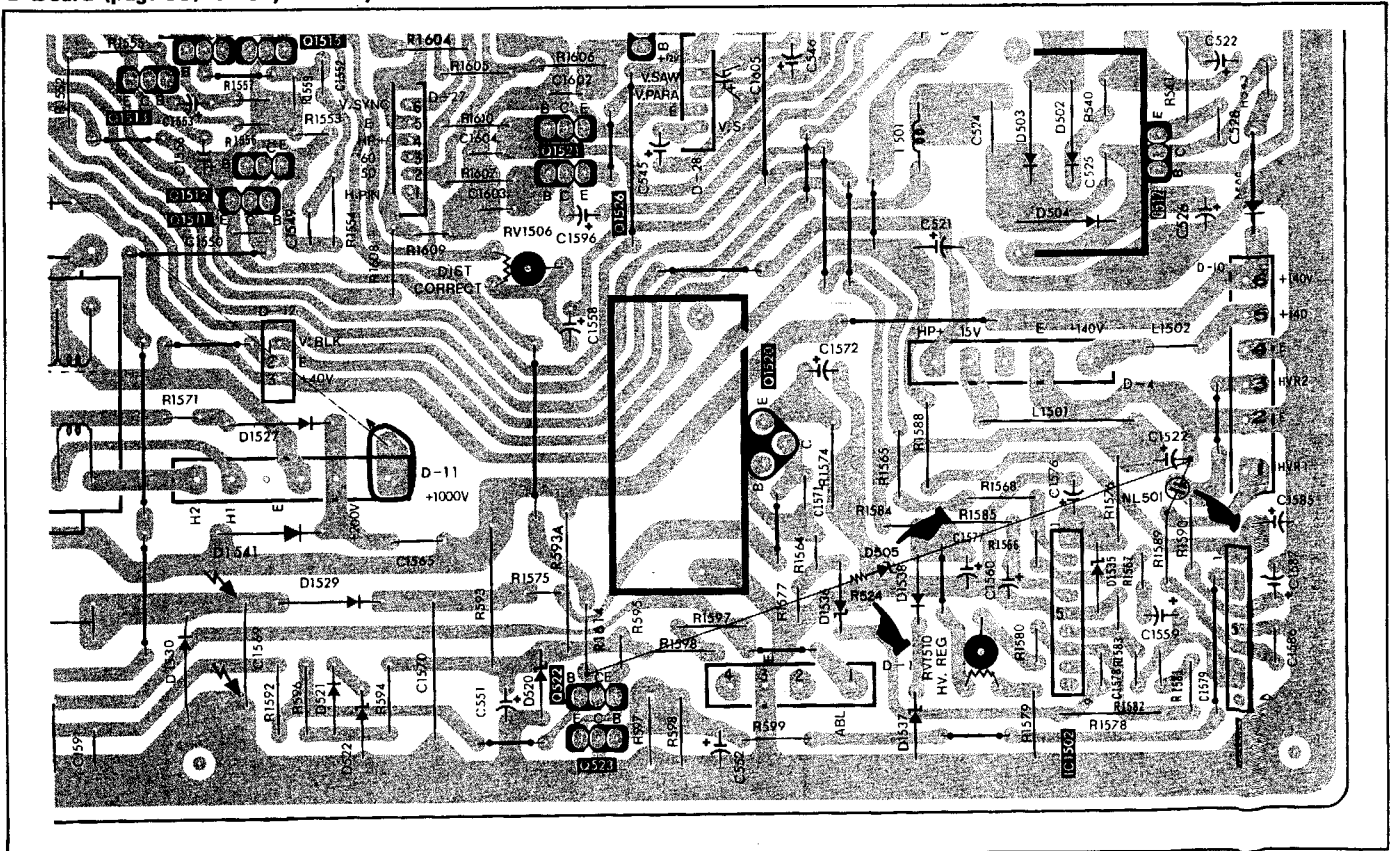




D board (page 53, 54) D505, NL501, R1524



D board (page 58) D505, NL501, R1524



**PVM-2730QM**  
RM-668**SECTION 7 ELECTRICAL PARTS LIST**

Page	Board	Ref.No.	Part No.	Description
87	D	D505	8-719-110-60	DIODE RD24ESB
87		D1533	8-719-200-02	DIODE 10E-2
87		NL501	1-151-108-XX	LAMP, NEON
89		R1524	1-247-717-11	CARBON 2.2K 5% 1/4W

# PVM-2730QM

## RM-668

## SONY SERVICE MANUAL

### AEP Model

Serial No. 2,012,151 and later

Chassis No. SCC-A91A-A

### Australian Model

Serial No. 2,001,921 and later

Chassis No. SCC-B04A-A

### West Germany Model

Serial No. 2,004,151 and later

Chassis No. SCC-B05A-A

## SUPPLEMENT-3

File this Supplement with the Service Manual.

### SPECIFICATIONS

Color system	PAL, SECAM, NTSC and NTSC <sub>4.43</sub> systems, switched automatically	LINE A/B outputs (loop-through outputs)	S VIDEO: 4-pin, mini-DIN
Picture tube	Trinitron tube Approx. 67.7 cm (27 inches) (63.5 cm picture measured diagonally) 114-degree deflection, AG pitch 0.73 mm	Digital RGB inputs	VIDEO: BNC connector AUDIO: Phono jack
Resolution	Video input: 420 TV lines S video input: 560 TV lines RGB inputs: 640 × 200 dots (2000 characters)	RGB: D-sub 9-pin connector (See "Signal assignment".)	AUDIO: Phono jack -5 dBs, more than 47 kilohms
Color temperature	9300°K	AV connector	21-pin connector (See "Signal assignment".)
Frequency response	10 MHz (-3 dB, RGB) 5 MHz (-3 dB, composite video) 6 MHz (-3 dB, S video)	Speaker terminals	8 ohms
Horizontal linearity	Less than ±5%	Control S input/output	Minijack, 5 Vp-p
Vertical linearity	Less than ±5%	Power output	15 W + 15 W at 8 ohms
Line pull range	Horizontal: + 500 Hz Vertical: -8 Hz	Power requirements	220 - 240 V AC, 50/60 Hz
Overscan of the picture	Less than + 7%	Power consumption	175 W
LINE A/B, VTR inputs		Dimensions	Approx. 653 × 508 × 492 mm (w/h/d) incl. projecting parts and controls
S VIDEO:	4-pin, mini-DIN Y (luminance signal); 1 Vp-p, sync negative, 75-ohm termination switchable C (chrominance signal); 300 m Vp-p (burst signal), 75-ohms	Weight	Approx. 52 kg
VIDEO IN:	LINE A/B: BNC connector Composite video, 1 Vp-p ±6 dB, sync negative, 75-ohm termination switchable VTR: 8-pin connector Composite video, 1 Vp-p ±6 dB, sync negative, 75-ohm terminated	<b>Supplied accessory</b>	Remote commander RM-668, with 2 R6 batteries..... 1
AUDIO IN:	LINE A/B: Phono jack -5 dBs, more than 47 kilohms VTR: 8-pin connector, -5 dBs, more than 47 kilohms	<b>Optional accessories</b>	TV stand Speaker system SS-X6A, APM-X5A SU-539, SU-541

- Continued on page 2 -

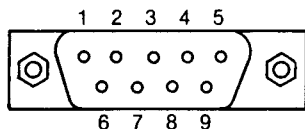




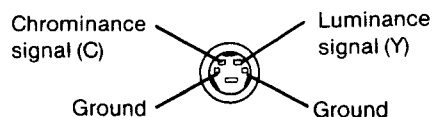
**PVM-2730QM**  
RM-668

**SIGNAL ASSIGNMENT**

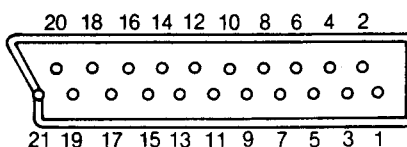
**DIGITAL RGB connector**  
(D-sub 9-pin)



**S VIDEO connector** (4-pin mini DIN)



**AV connector** (21-pin)



Digital signal (TTL level)

Pin No.	Signal assignment
1	Ground
2	Ground
3	Red input
4	Green input
5	Blue input
6	Intensity input
7	No connection
8	H. sync input (positive/negative)
9	V. sync input (positive/negative)

Pin No.	Signal	Signal level
1	Audio output B (right)	Standard level: 0.5 Vrms Output impedance: Less than 1 k ohm*
2	Audio input B (right)	Standard level: 0.5 Vrms Input impedance: More than 10 k ohms*
3	Audio output A (left)	Standard level: 0.5 Vrms Output impedance: Less than 1 k ohm*
4	Ground (audio)	
5	Ground (blue)	
6	Audio input A (left)	Standard level: 0.5 Vrms Input impedance: More than 10 k ohms*
7	Blue input	0.7 V ±3 dB, 75 ohms, positive
8	Function select (AV control)	High state (9.5 - 12 V): Peri mode Low state (0 - 2 V): TV mode Input impedance: More than 10 k ohms Input capacitance: Less than 2 nF

Pin No.	Signal	Signal level
9	Ground (green)	
10	Open	
11	Green input	(Same as Pin 7)
12	Open	
13	Ground (red)	
14	Ground (blanking)	
15	Red input	(Same as Pin 7)
16	Blanking input	High state (1 - 3 V) Low state (0 - 0.4 V) Input impedance: 75 ohms
17	Ground (video output)	
18	Ground (video input)	
19	Video output	1 V ±3 dB, 75 ohms, positive Sync: 0.3 V (±3 dB)
20	Video input	1 V ±3 dB, 75 ohms, positive Sync: 0.3 V (±3 dB)
21	Common ground (plug, shield)	

\* at 20 Hz - 20 kHz

Design and specifications subject to change without notice.

**TROUBLESHOOTING**

If these symptoms occur when you begin operation, follow the suggestions below.

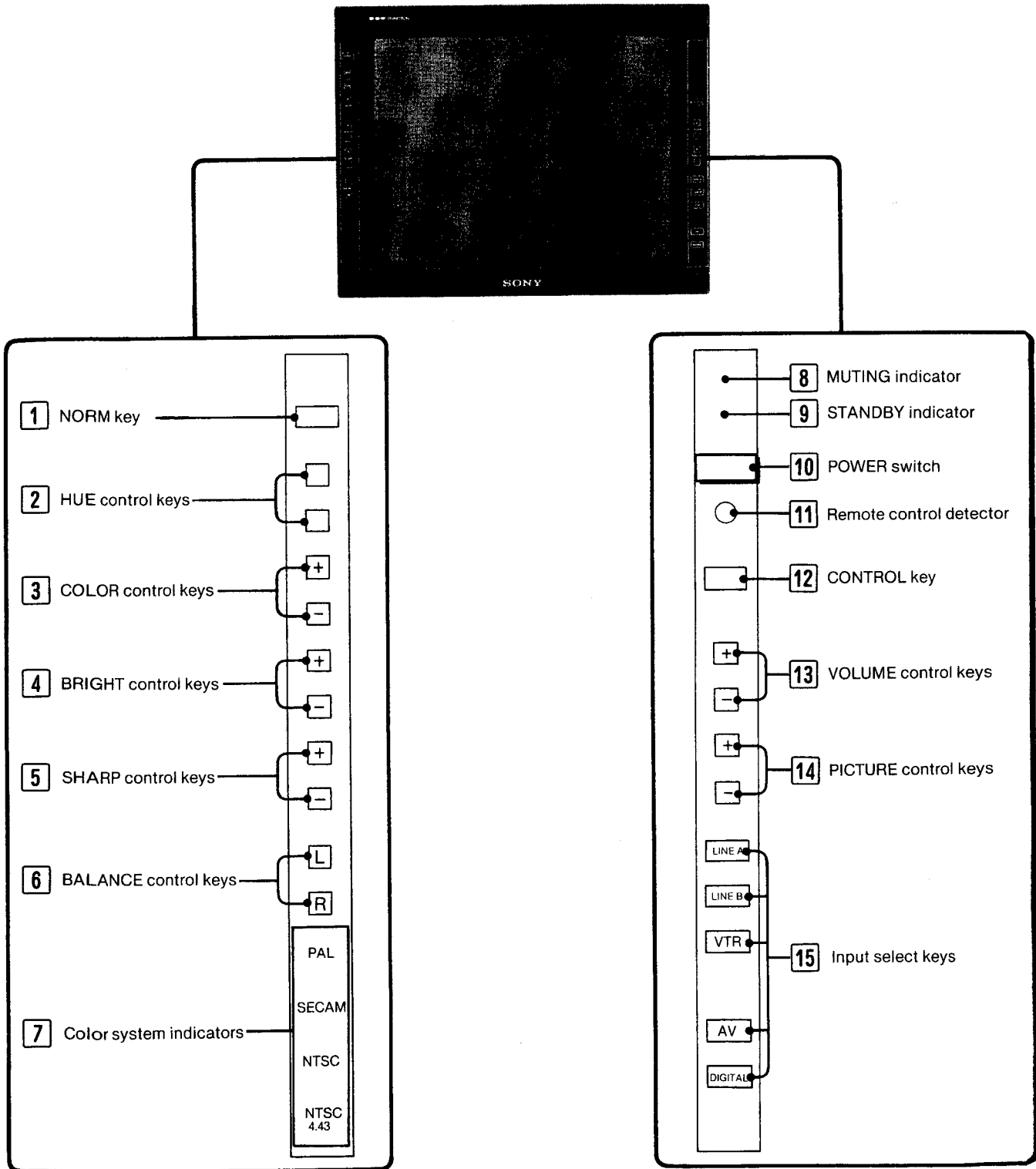
SYMPTOMS	CORRECTIONS
No controllable keys although the POWER switch is turned on.	• Press the CONTROL key.
No indication appears although the CONTROL key is pressed.	• Set the MANUAL CONTROL switch on the rear panel to ON.
Remote control is not possible.	• Set the REMOTE CONTROL switch on the rear panel to ON.

If the problem still cannot be solved, contract your authorized Sony dealer.

## SECTION 1 GENERAL

### 1-1. LOCATION AND FUNCTION OF PATRS AND CONTROLS

#### FRONT PANEL




• Press CONTROL key after power is turned on to illuminate the control keys or indicators.

The following control keys are effective only when MANUAL CONTROL switch on the rear panel is set to ON.

## TABLE OF CONTENTS

<u>Section</u>	<u>Title</u>	<u>Page</u>
<b>1. GENERAL</b>		
1-1.	Location and Function of Parts and Controls .....	4
1-2.	Operation .....	8
1-3.	System Connections .....	9
<b>4. CIRCUIT ADJUSTMENTS</b>		
4-1.	D3 Board Adjustments .....	13
<b>5. DIAGRAMS</b>		
5-1.	Circuit Boards Location .....	14
5-2.	Block Diagram .....	16
5-3.	Frame Schematic Diagram .....	21
5-4.	Schematic Diagram and Printed Wiring Boards .....	26
5-5.	Semiconductors .....	54
<b>6. EXPLODED VIEWS</b>		
6-1.	Picture Tube .....	57
6-2.	Chassis .....	58
6-3.	Back Cover .....	59
6-4.	Key Board Unit .....	60
<b>7. ELECTRICAL PARTS LIST .....</b>		
		<b>61</b>

### SAFETY-RELATED COMPONENT WARNING !!

COMPONENTS IDENTIFIED BY SHADING AND MARK  
 ON THE SCHEMATIC DIAGRAMS, EXPLODED  
 VIEWS AND IN THE PARTS LIST ARE CRITICAL TO  
 SAFE OPERATION. REPLACE THESE COMPONENTS  
 WITH SONY PARTS WHOSE PART NUMBERS APPEAR  
 AS SHOWN IN THIS MANUAL OR IN SUPPLEMENTS  
 PUBLISHED BY SONY.



- 1 NORM (normal) key**  
Press this key to return to the standard setting.  
• This key is effective only for the control keys on the left.
- 2 HUE control keys**  
Press the GRN (green) key to make the skin tones greenish or the PUR (purple) key to make it purplish.  
• These control keys are effective for the NTSC and NTSC<sub>4.43</sub> color systems only.
- 3 COLOR control keys**  
Press the + key to make the color intensity vivid or the – key to make it pale.
- 4 BRIGHT (brightness) control keys**  
Press the + key to make the picture brighter or the – key to make it darker.
- 5 SHARP (sharpness) control keys**  
Press the + key to obtain a sharp picture or the – key to obtain a soft picture.
- 6 BALANCE control keys**  
Press the L key to increase the sound volume of the left speaker or the R key to increase the sound volume of the right speaker.
- 7 Color system indicators**  
**PAL, SECAM, NTSC, NTSC<sub>4.43</sub>**  
The color system of the input signal is automatically selected and the corresponding indicator illuminates. When the input signal is monochrome, no color system indicator illuminates.
- 8 MUTING indicator**  
Illuminates while the sound is muted.  
• Muting is controlled only by the Remote Commander.
- 9 STANDBY indicator**  
Illuminates when the power is turned off by the Remote Commander.
- 10 POWER switch**  
Press this switch to turn the monitor on.  
Press this switch again to turn it off.  
• When the monitor is turned on, the settings of the monitor are the same as when it was last turned off.  
• For a few seconds after turning on the monitor the color of picture may vary because the white balance is adjusted at this time. This is not a problem.

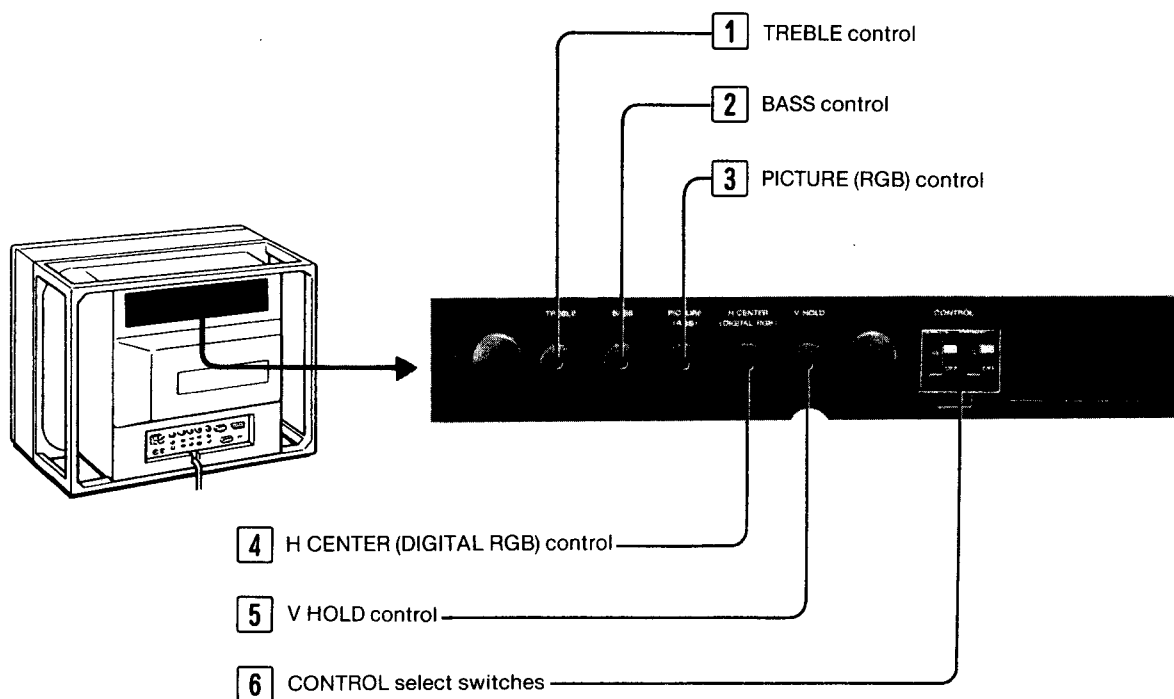
- 11 Remote control detector**  
The beam from the Remote Commander is received here.
- 12 CONTROL key**  
Press this key to illuminate the keys and indicators on the front panel.  
Press this key again to extinguish them.
- 13 VOLUME control keys**  
Press the + key to raise the volume or the – key to lower it.
- 14 PICTURE control keys**  
Press the + key to make the contrast, color intensity and brightness stronger or the – key to make them weaker.
- 15 Input select keys**  
**LINE A, LINE B, VTR, AV, DIGITAL**  
Select the input source connected to the LINE A, LINE B, VTR, AV or DIGITAL RGB connector.  
When a key is pressed:  
• it blinks if the other indicators and keys on the front panel illuminate.  
• it illuminates if they are extinguished.

#### Key illumination

For the keys **1** through **7**, **13** and **14**:

- While each key is pressed, it blinks, indicating that adjustment is going on.
- During adjustment, if the adjustment value reaches the limit, the blinking speed becomes slower.

## REAR PANEL



### 1 TREBLE control

Turn clockwise for more treble (high tone), or counterclockwise for less.

### 2 BASS control

Turn clockwise for more bass (low tone), or counterclockwise for less.

### 3 PICTURE (RGB) control

Adjust the contrast of the RGB signals connected to the AV connector or the DIGITAL RGB connector.

### 4 H CENTER (DIGITAL RGB) (horizontal centering) control

When the picture of DIGITAL RGB input is decentered horizontally, correct it with this control.

### 5 V HOLD (vertical hold) control

When the picture rolls vertically, correct it with this control.

### 6 CONTROL select switches

Normally set to ON.

#### REMOTE CONTROL switch

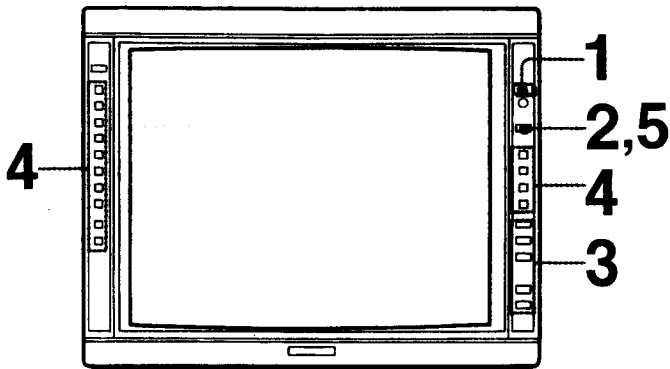
Set this switch to ON to control the monitor with a Remote Commander.  
If this switch is set to OFF, the remote control is not possible.

#### MANUAL CONTROL switch

Set this switch to ON to control the monitor manually.  
To make the manual control of the control keys or switches on the front panel impossible, extinguish the indicators by pressing the CONTROL key on the front panel and set this switch to OFF.  
(However remote control is possible if the REMOTE CONTROL switch is set to ON.)

## 1-2. OPERATION

## DISPLAYING THE PICTURE



- 1** Depress the POWER switch.  
One of the input select keys illuminates.
- 2** Press the CONTROL key.  
The selected input select key blinks and all control keys on the front illuminate.  
(If the control keys do not appear, set the MANUAL CONTROL switch on the rear to ON.)
- 3** Press the desired input select key.  
The pressed key blinks and the picture from the selected input is displayed on the screen and the sound is heard through the speakers.  
(For selecting the AV or DIGITAL input, see "Notes on input selection".)
- 4** Adjust the picture and sound.
- 5** Press the CONTROL key to extinguish the control keys so that only the selected input select key illuminates.

## SUPERIMPOSING

To superimpose the data from the microcomputer connected to the AV connector over the picture, proceed as follows. (The data should be processed for superimposition on the microcomputer.)

- 1** Set the SUPERIMPOSE switch to ON.
- 2** Press the LINE A, LINE B or VTR input select key to display the picture on which the data is to be superimposed on the monitor screen.
- 3** Press the AV input select key.  
The data is superimposed over the picture.
- 4** Adjust the contrast of the superimposed data with the PICTURE (RGB) control.

**Note**

The data cannot be superimposed over the picture input from S VIDEO IN connector.

## NOTES ON INPUT SELECTION

**AV input and SUPERIMPOSE switch**

Set the SUPERIMPOSE switch on the rear as follows, according to the signal supplied to the AV connector.

SUPERIMPOSE switch	Signal to be displayed
ON	<ul style="list-style-type: none"> <li>• To display the composite video signal from an 8 mm video cassette recorder, etc.</li> <li>• To perform superimposition. (See "SUPERIMPOSING".)</li> </ul>
OFF	<ul style="list-style-type: none"> <li>• To display the analog RGB signal from a microcomputer, etc. In this case, the sync signal should be supplied to pin 20 of the AV connector.</li> </ul>

- When the AV input select key is pressed with the SUPERIMPOSE switch ON, the previously selected LINE A, LINE B or VTR input select key blinks together with the AV key.
- When it is pressed with the SUPERIMPOSE switch OFF, only the AV key blinks.

**AV input and AV switch**

When the AV switch on the rear is set to ON, the monitor is automatically switched from the LINE A, LINE B or VTR input to the AV input if a signal is input to the AV connector. Set the AV switch to OFF to select the AV input manually by pressing the AV input select key.

**DIGITAL input**

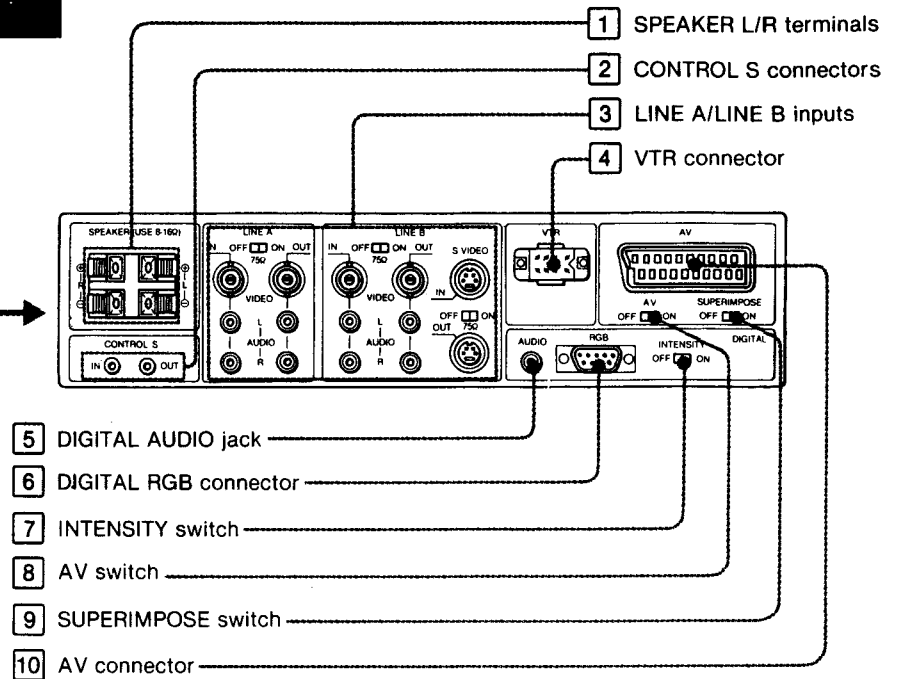
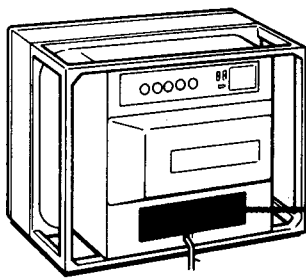
- To display the digital RGB signal from a microcomputer provided with intensity output in 16 colors, set the INTENSITY switch on the rear to ON.
- If necessary, center the picture from the DIGITAL RGB connector with the H CENTER control on the rear panel.

**Note**

The COLOR, HUE and SHARP control keys do not function when the DIGITAL input is selected or the AV input is selected with the SUPERIMPOSE switch OFF.



## CONNECTORS



- 1 SPEAKER L/R terminals**  
Connect to speakers with 8 to 16 ohm impedance.
- 2 CONTROL S IN/OUT connectors**  
Connect to the CONTROL S connectors of a VTR or another monitor.  
It is then possible to control the whole system with a single Remote Commander.
- 3 LINE A/LINE B inputs**

**S VIDEO IN connector (4-pin, mini-DIN) \***  
**VIDEO IN connector (BNC type)**  
**AUDIO L/R IN jacks (phono jack)**  
Connect to the video and audio outputs of a VTR or a camera.

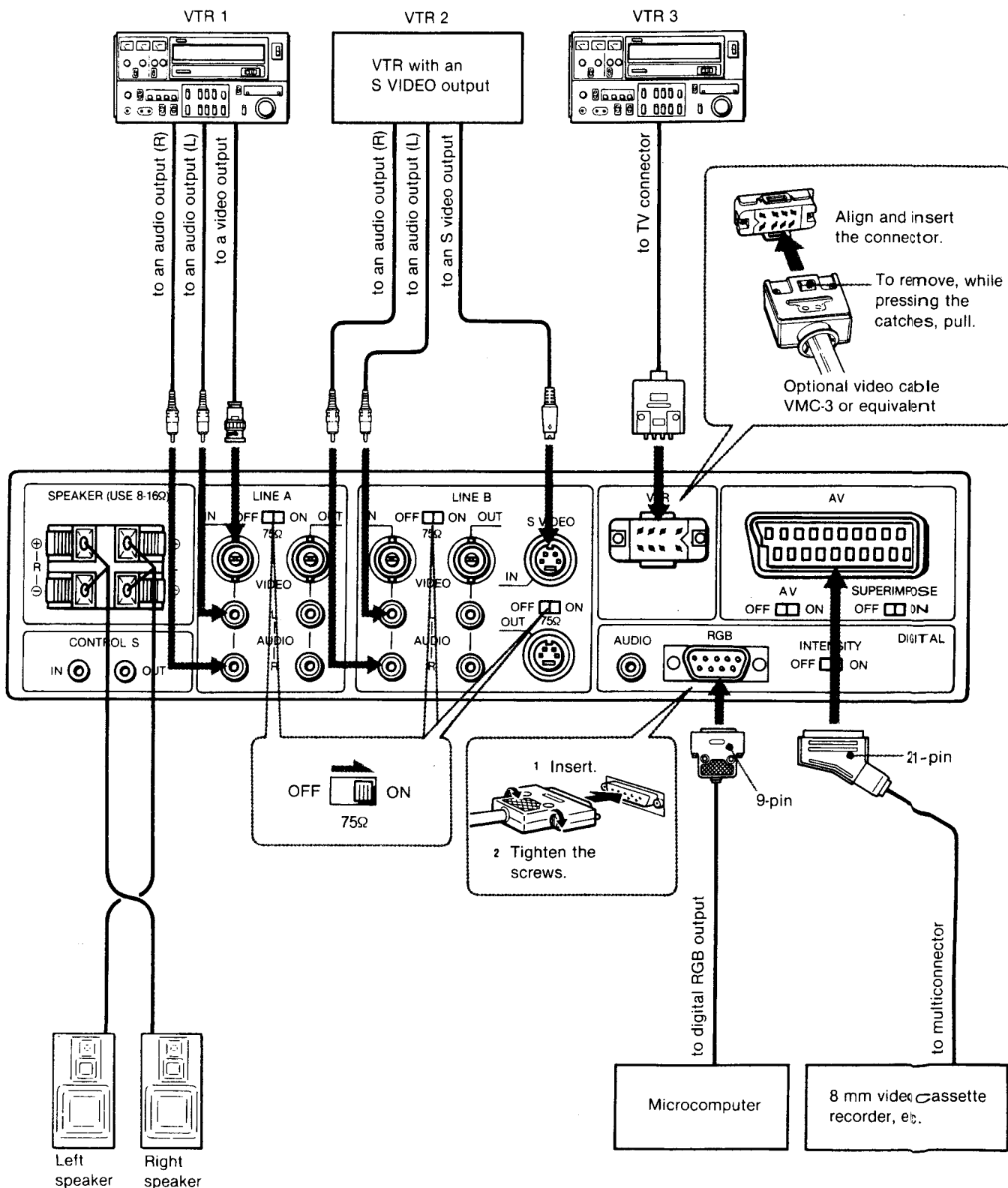
**S VIDEO OUT connector (4-pin, mini-DIN) \***  
**VIDEO OUT connector (BNC type)**  
**AUDIO L/R OUT jacks (phono jack)**  
Loop-through outputs of the IN connector and jacks.  
Connect to the video and audio inputs of another monitor.  
\* For LINE B only.

**75-ohm termination switch**  
When only the VIDEO IN connector is used (nothing is connected to the VIDEO OUT connector), set this switch to ON.  
When both connectors are used together for a loop-through connection, set this switch to OFF.

**Note**  
The VIDEO IN connector is disconnected automatically when a cable is connected to the S VIDEO IN connector.
- 4 VTR connector (8-pin)**  
Connect to a VTR with an 8-pin TV connector.
- 5 DIGITAL AUDIO jack (phono jack)**  
Connect to the audio output of an audio source to listen to the sound from the connected audio source while viewing the picture from the DIGITAL RGB connector.
- 6 DIGITAL RGB connector (9-pin, D-sub)**  
Connect to the digital RGB output of a microcomputer.
- 7 INTENSITY switch**  
Normally set to OFF. When a microcomputer provided with intensity output is connected, set to ON for 16-color display.
- 8 AV switch**  
Set to ON so that the monitor is automatically switched to the AV input when a signal is input from the AV connector, taking priority over the LINE A, LINE B or VTR input previously selected by the input select keys on the front panel. Set to OFF to select the AV input manually by pressing the AV input select key.
- 9 SUPERIMPOSE switch**  
Normally set to ON.  
Set to OFF to display the analog RGB signal from the microcomputer connected to the AV connector.
- 10 AV connector (21-pin)**  
Connect to the 21-pin multiconnector of an 8 mm video cassette recorder or the analog RGB multioutput connector of a microcomputer.

1-3. SYSTEM CONNECTIONS

CONNECTION DIAGRAM



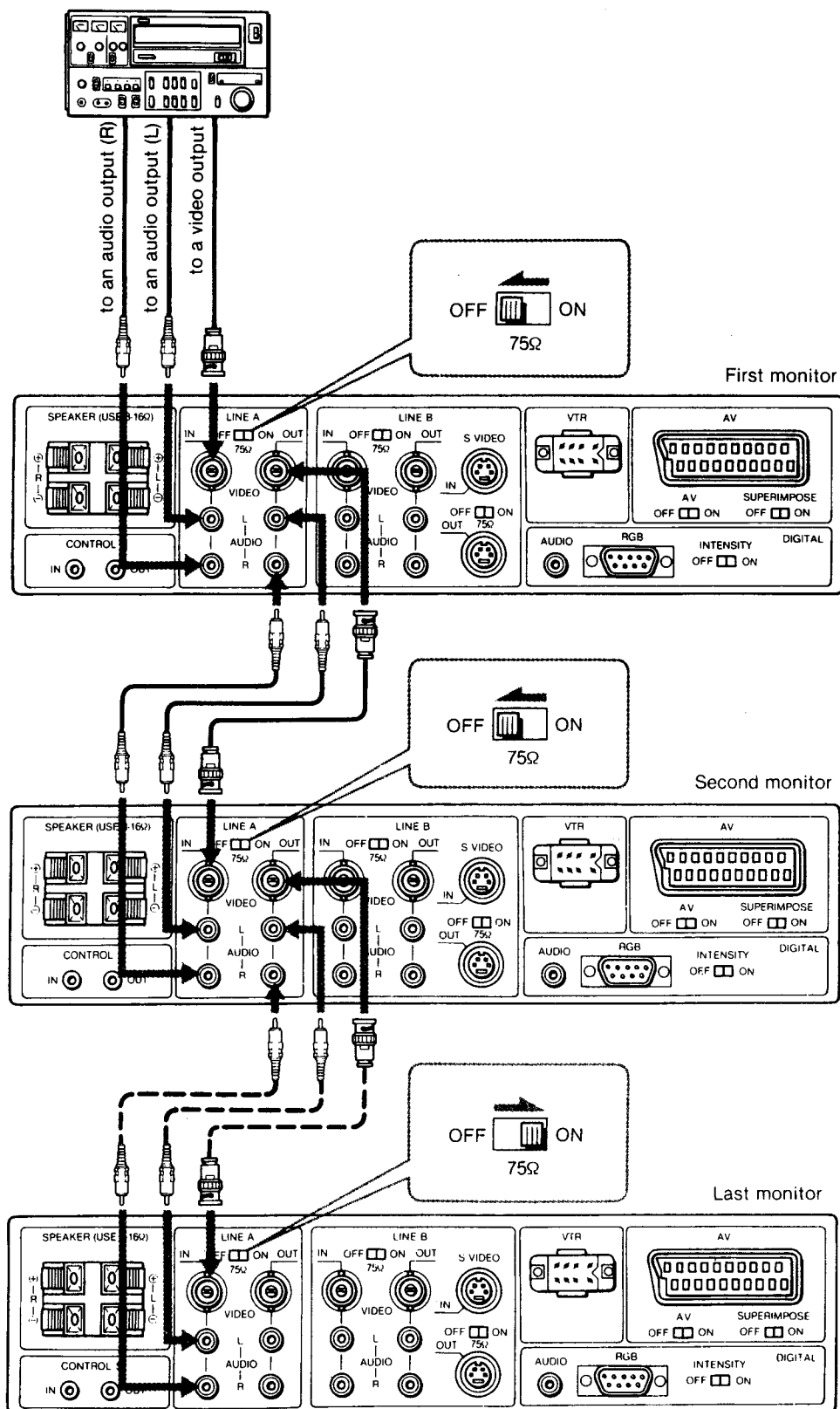
Note

• When a microcomputer has an analog RGB output connector, connect it to the AV connector.

• When a microcomputer has only a composite video output connector, connect it to the LINE A or LINE B VIDEO IN connector.

## CONNECTING SEVERAL MONITORS

A loop-through connection is convenient for monitoring the same signal on the monitors. Up to 10 monitors can be connected. It is recommended to use a signal distributor when several monitors are connected.

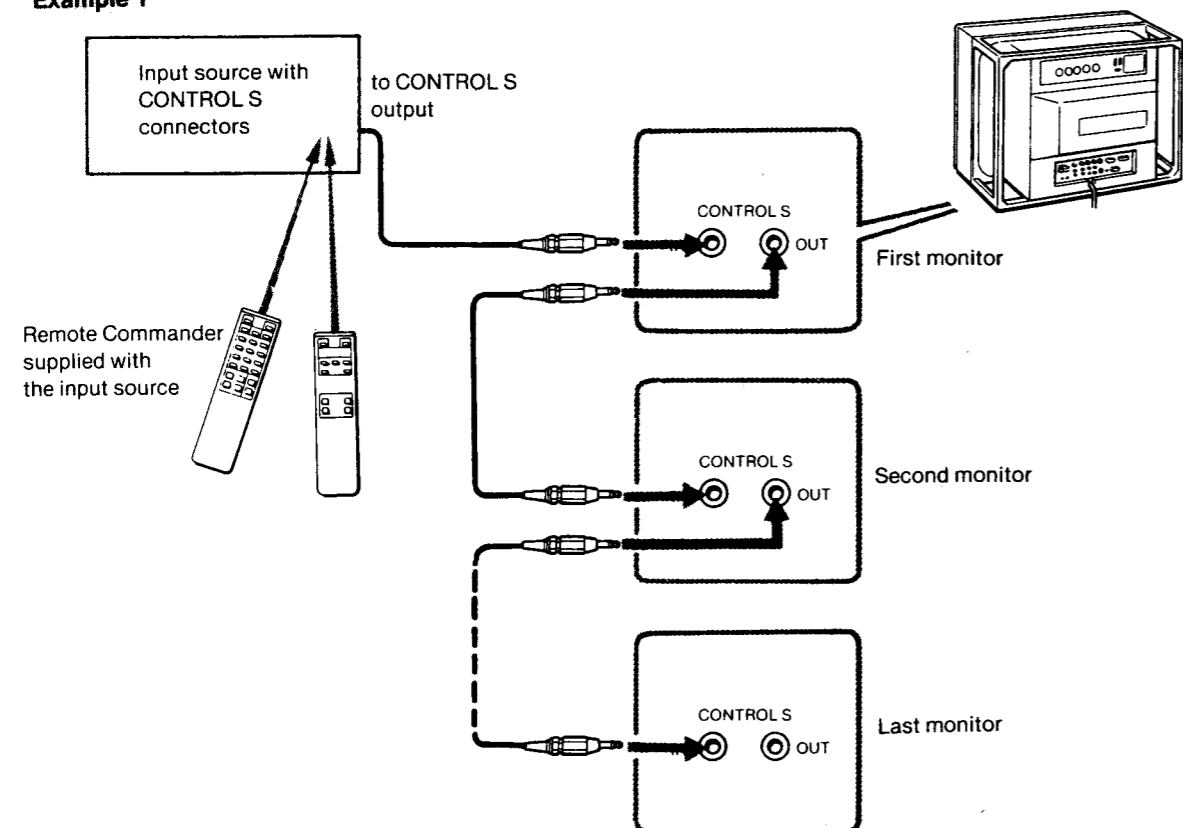




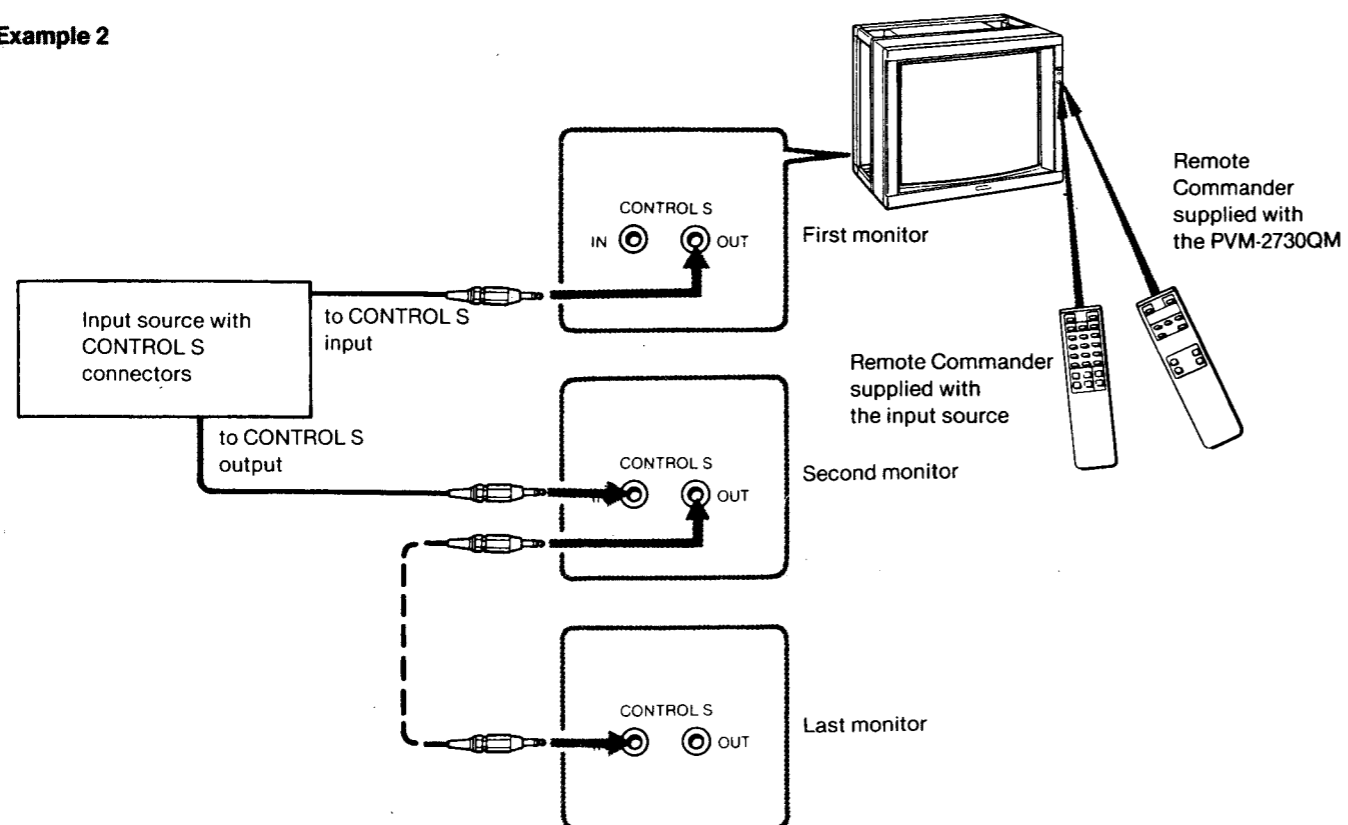
### CONTROL S CONNECTION

The following connections allow remote control of several monitors and a VTR through a single monitor.

#### Example 1



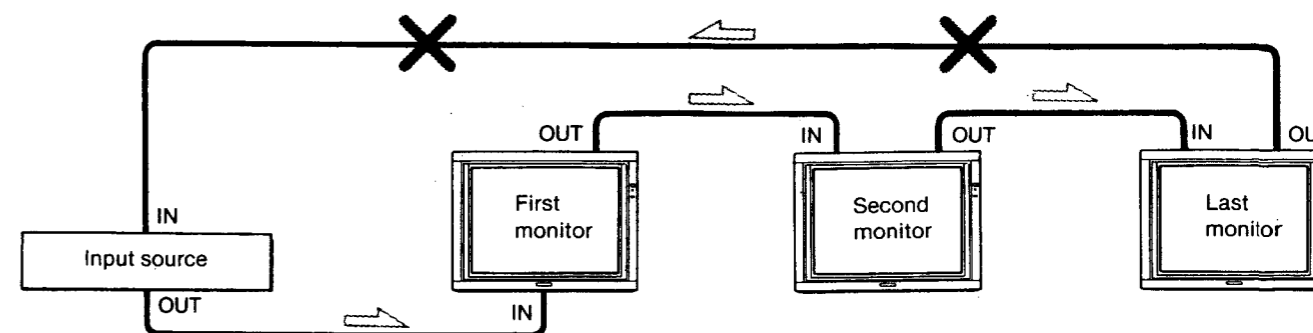
#### Example 2



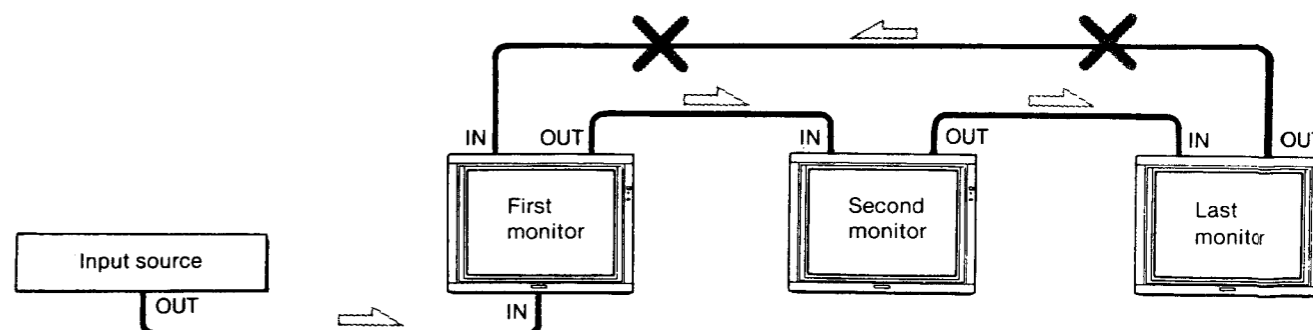
#### Note

Do not use the following loop connections.

#### Example 1



#### Example 2



CONTROL S signal flow

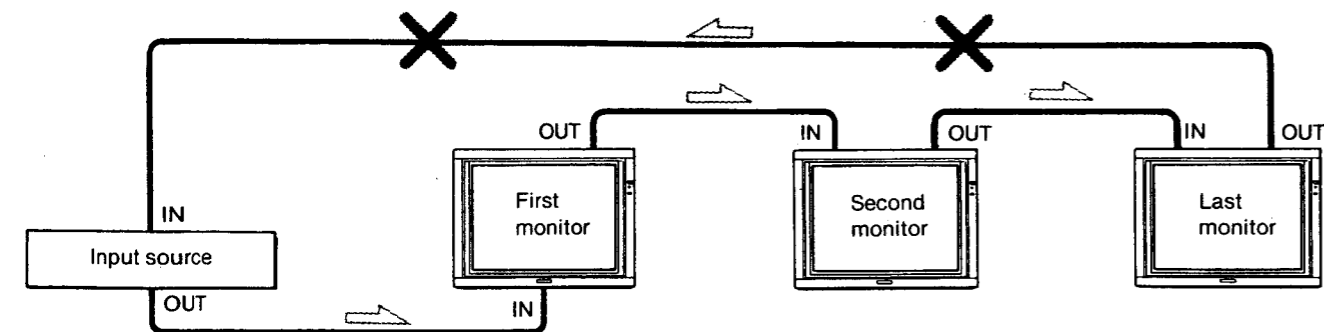
### SECTION 4 CIRCUIT ADJUSTMENTS

5-1. CIRCUIT E

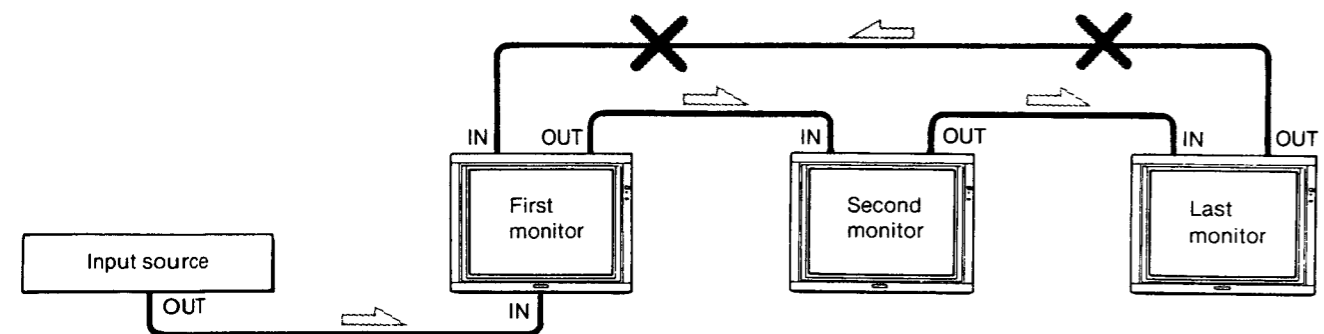
#### Note

Do not use the following loop connections.

#### Example 1



#### Example 2

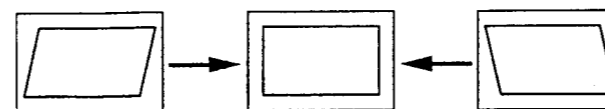


CONTROL S signal flow

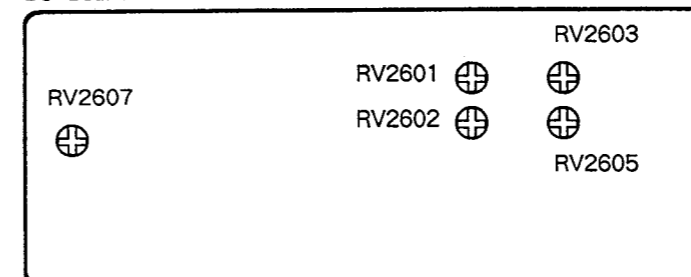
#### 4-1. D3 BOARD ADJUSTMENTS

##### V • ANGLE ADJUSTMENT (RV2607)

Adjust V • ANGLE with RV2607



D3 Board



RV2601 (TOP PIN)  
 RV2602 (BOTTOM PIN)  
 RV2603 (PIN PHASE 50)  
 RV2605 (PIN AMP 50)  
 RV2607 (V • ANGLE)

(Component side)

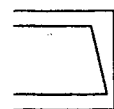
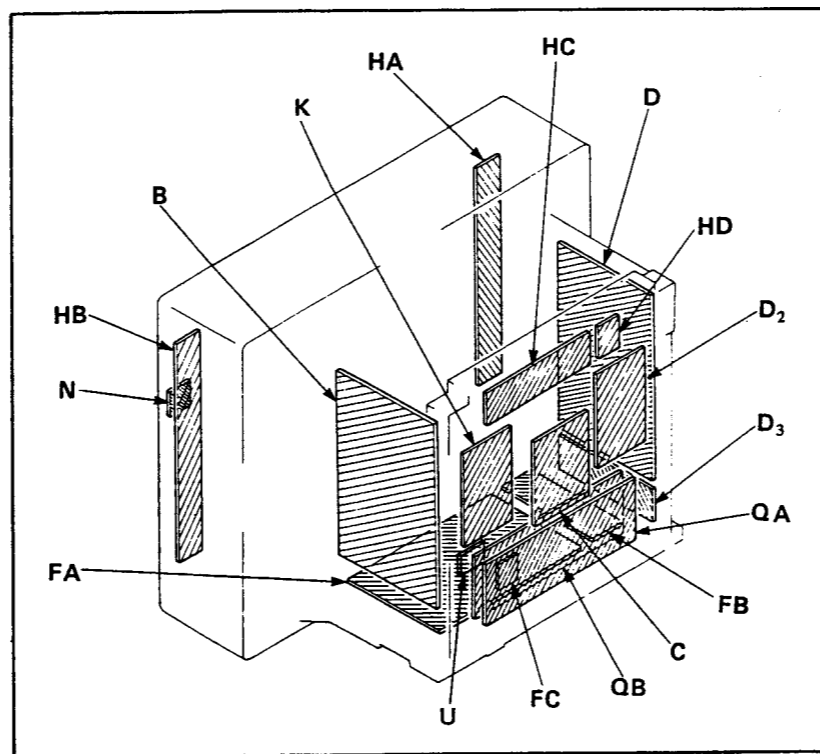
PVM-2730QM RM-668 PVM-2730QM RM-668

PVM-2730QM RM-668

SECTION 4  
CUI T ADJUSTMENTS

SECTION 5  
DIAGRAMS

5-1. CIRCUIT BOARDS LOCATION



RV2603

⊕

⊕

RV2605

- RV2601 (TOP PIN)
- RV2602 (BOTTOM PIN)
- RV2603 (PIN PHASE 50)
- RV2605 (PIN AMP 50)
- RV2607 (V • ANGLE)

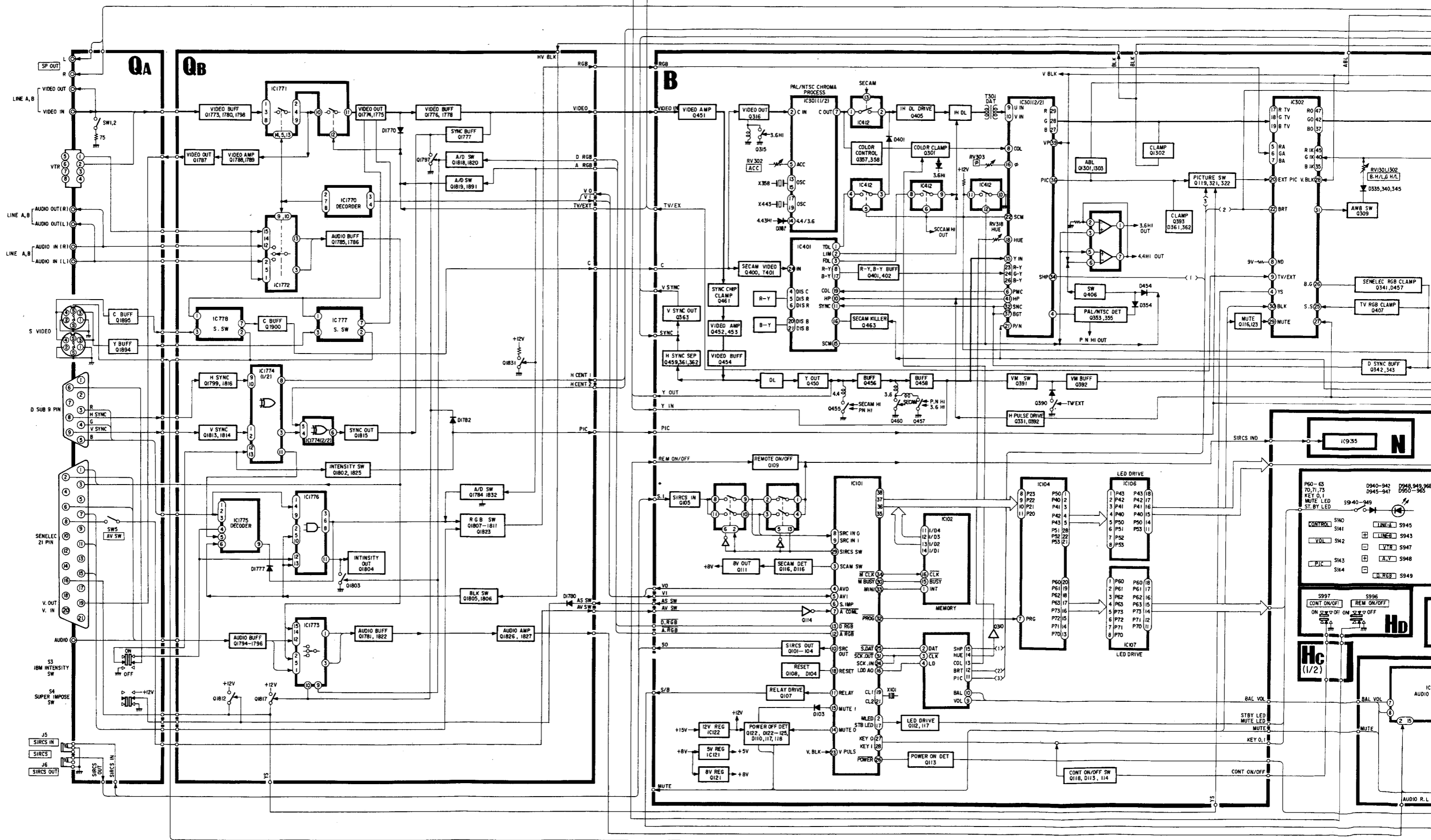


PVM-2730QM  
RM-668

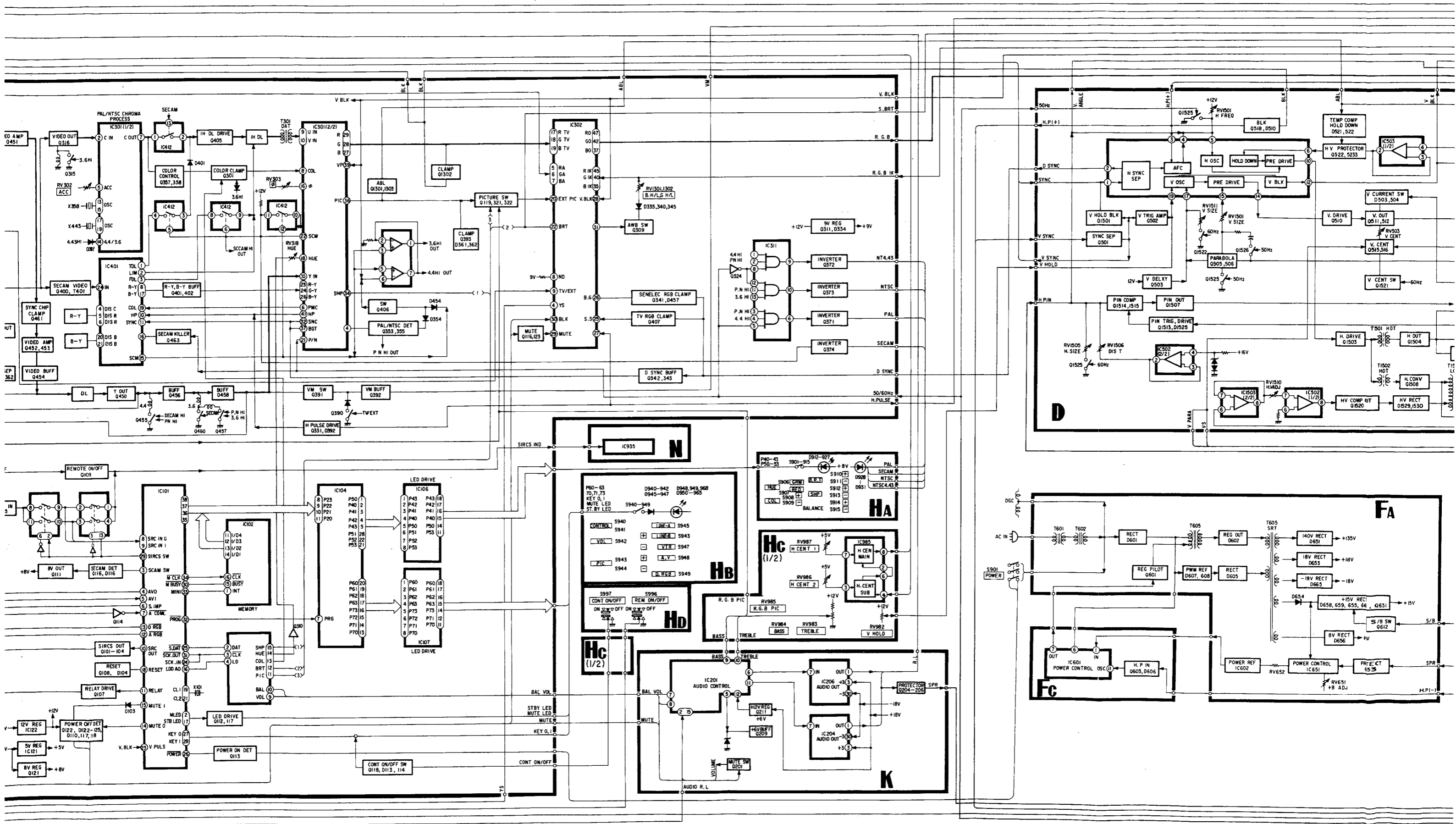
PVM-2730QM  
RM-668

PVM-2730QM  
RM-668

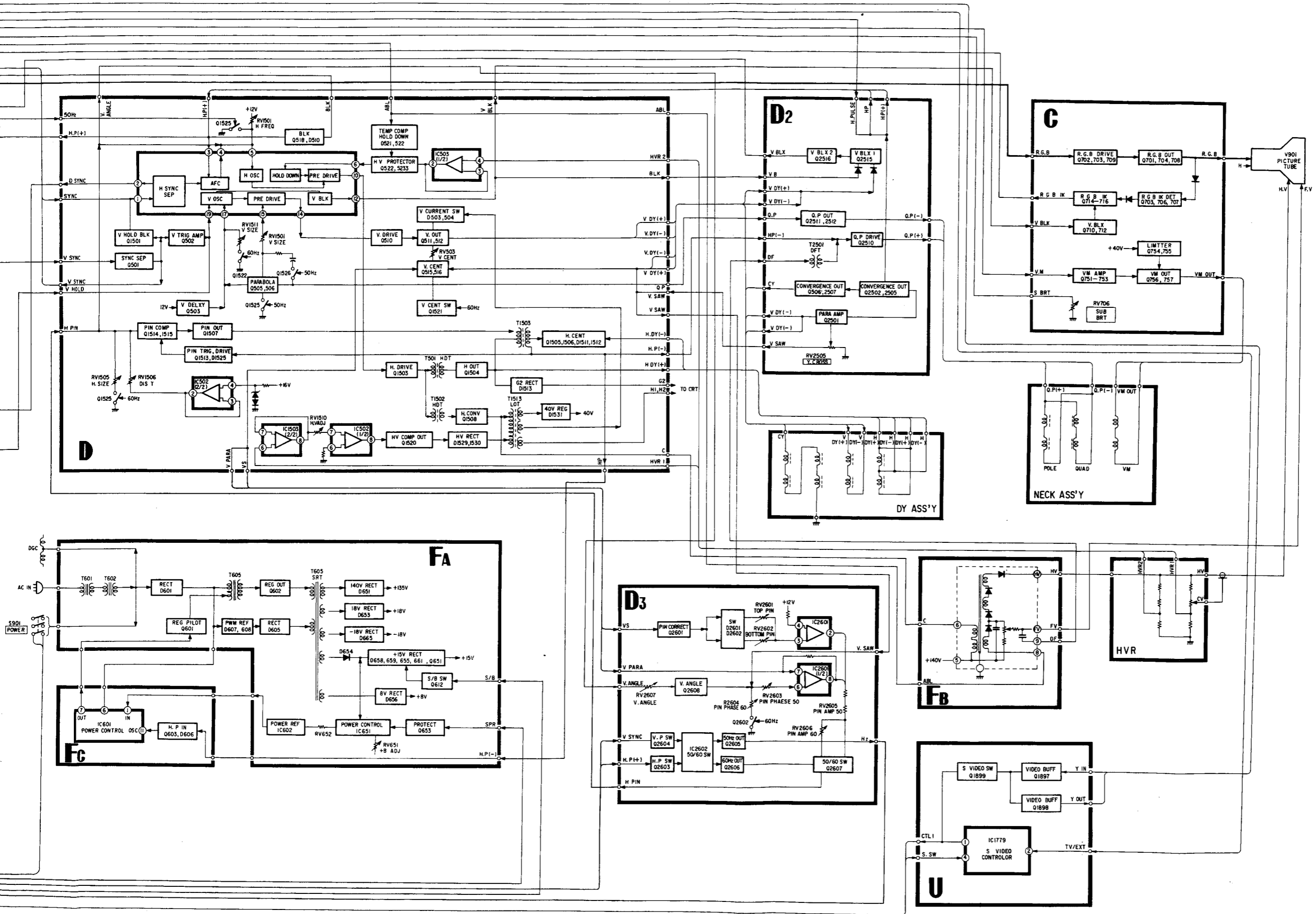
5-2. BLOCK DIAGRAM



PVM-2730QM RM-668 PVM-2730QM RM-668



PVM-2730QM RM-668 PVM-2730QM RM-668

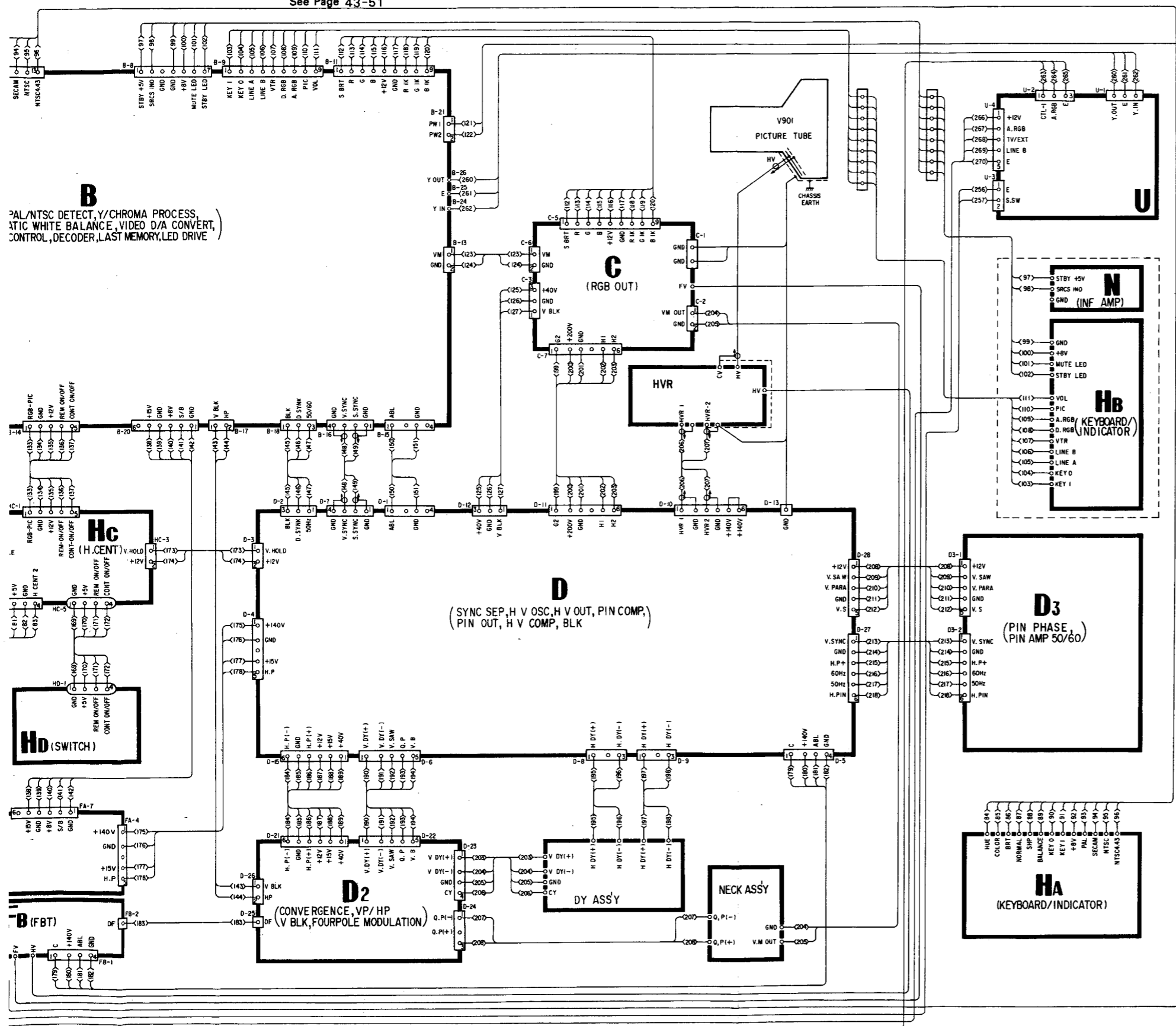






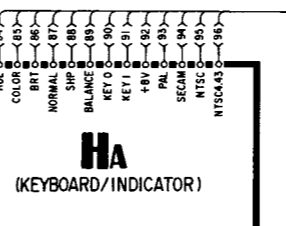
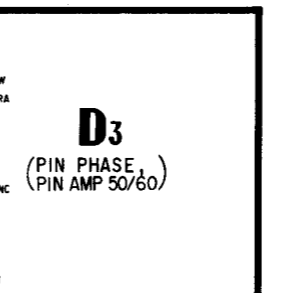
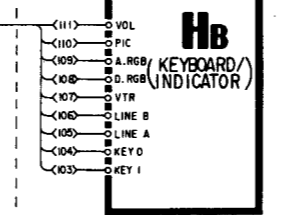
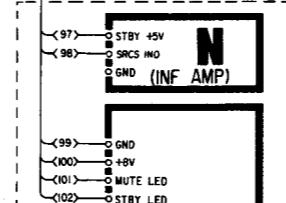
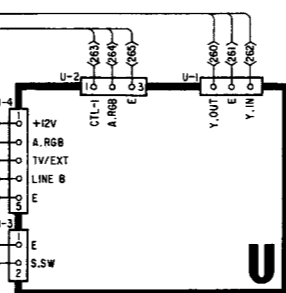
10 11 12 13 14 15 16 17 18 19 20 21 22 23

See Page 43-51



See Page 52-61

**B**  
PAL/NTSC DETECT, Y/CHROMA PROCESS,  
STIC WHITE BALANCE, VIDEO D/A CONVERT,  
CONTROL, DECODER, LAST MEMORY, LED DRIVE

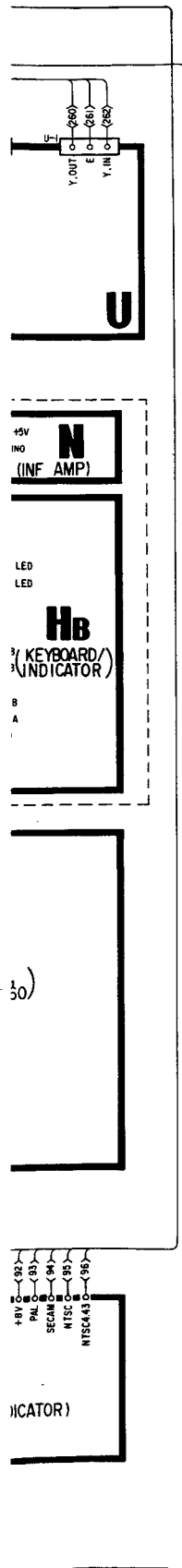


PVM-2730QM  
RM-668

PVM-2730QM  
RM-668

PVM-2730QM  
RM-668

19 | 20 | 21 | 22 | 23






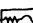

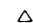
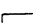
PVM-2730QM RM-668

PVM-2730QM RM-668

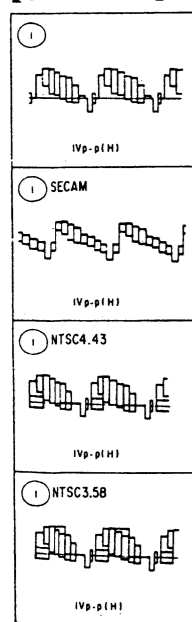
PVM-2730QM RM-668

5-4. SCHEMATIC DIAGRAM AND PRINTED WIRING BOARDS

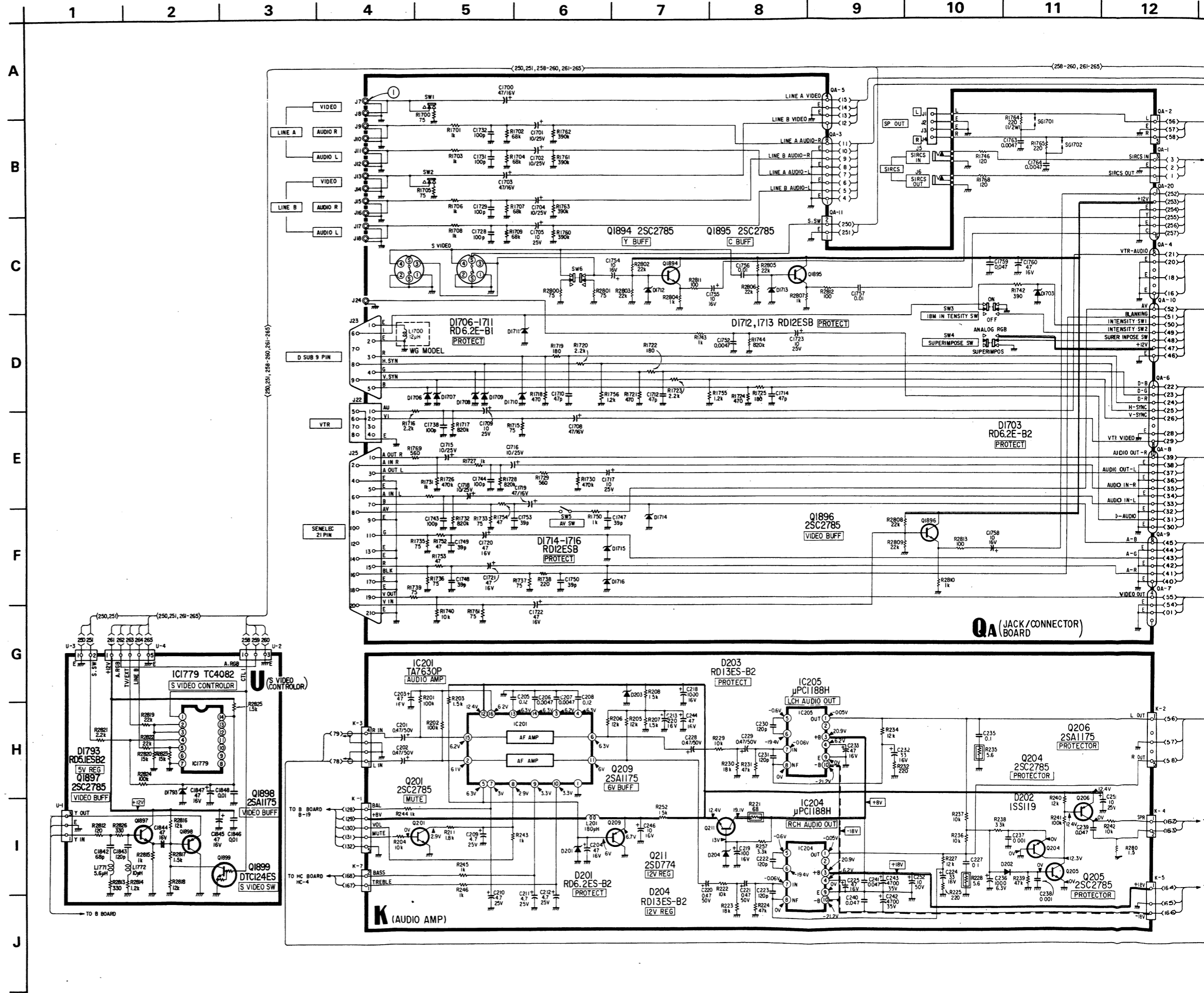
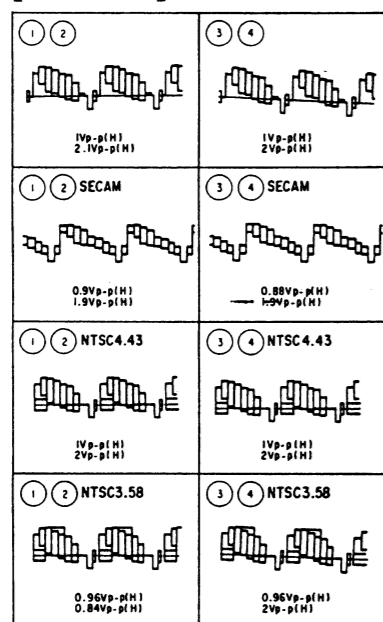
Note:

- All resistors are in ohms, 1/6W unless otherwise noted. kΩ: 1000Ω, MΩ: 1000kΩ.
- All capacitors are in μF unless otherwise noted. pF: μμF. 50WV or less are not indicated except for electrolytics.
- All variable and adjustable resistors have characteristic curve B, unless otherwise noted.
-  : nonflammable resistor.
-  : fusible resistor.
-  : panel designation.
-  : internal component.
- Voltages are dc with respect to ground unless otherwise noted.
- Readings are taken with a color-bar signal input.
- Readings are taken with a digital multimeter (DC10MΩ).
- Voltage variations may be noted due to normal production tolerances.
-  : adjustment for repair.
- Circled numbers refer to waveforms.
- no mark: with PAL color-bar signal input.
  - ( ) : with SECAM color-bar signal input.
  - (( )) : with NTSC 3.58MHz color-bar signal input.
  - [ ] : with NTSC 4.43MHz color-bar signal input.
- \* : Selected to yield optimum performance.

[QA BOARD]



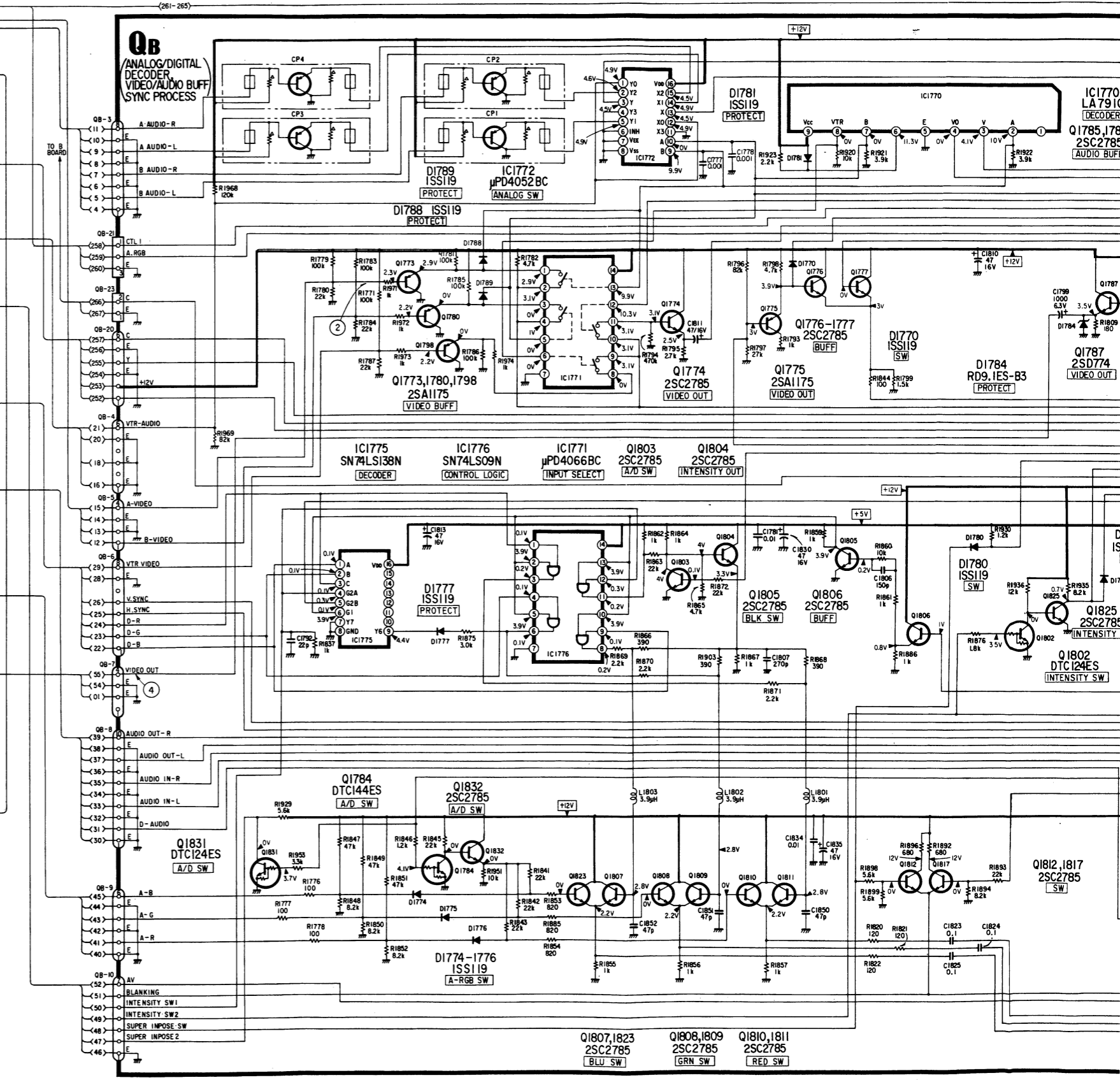
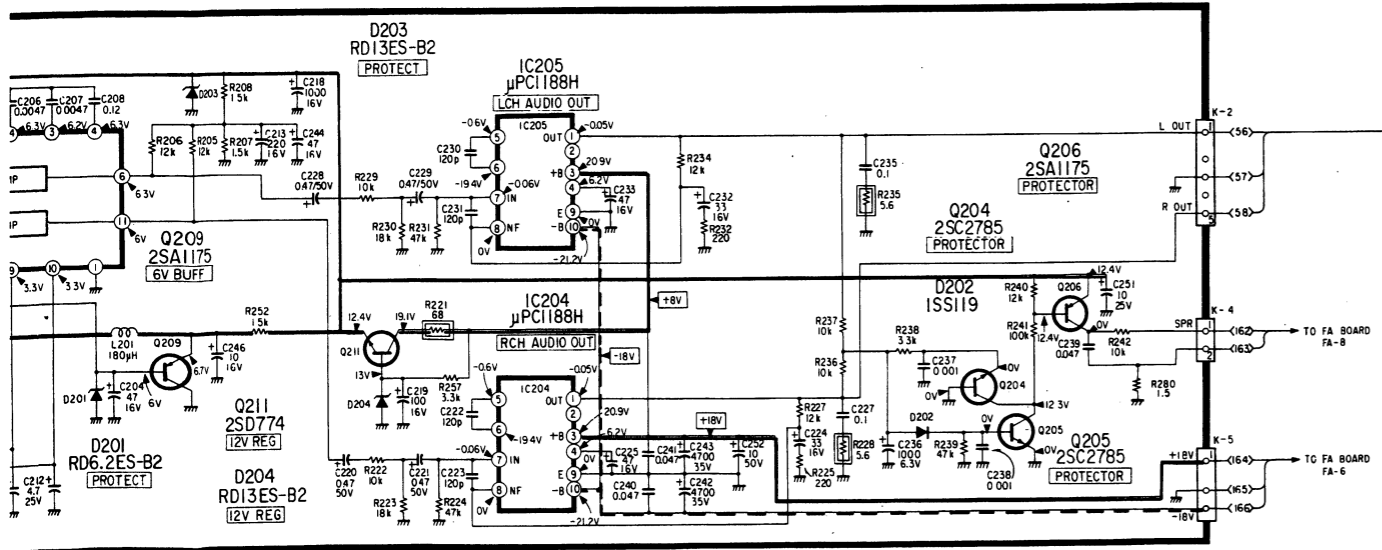
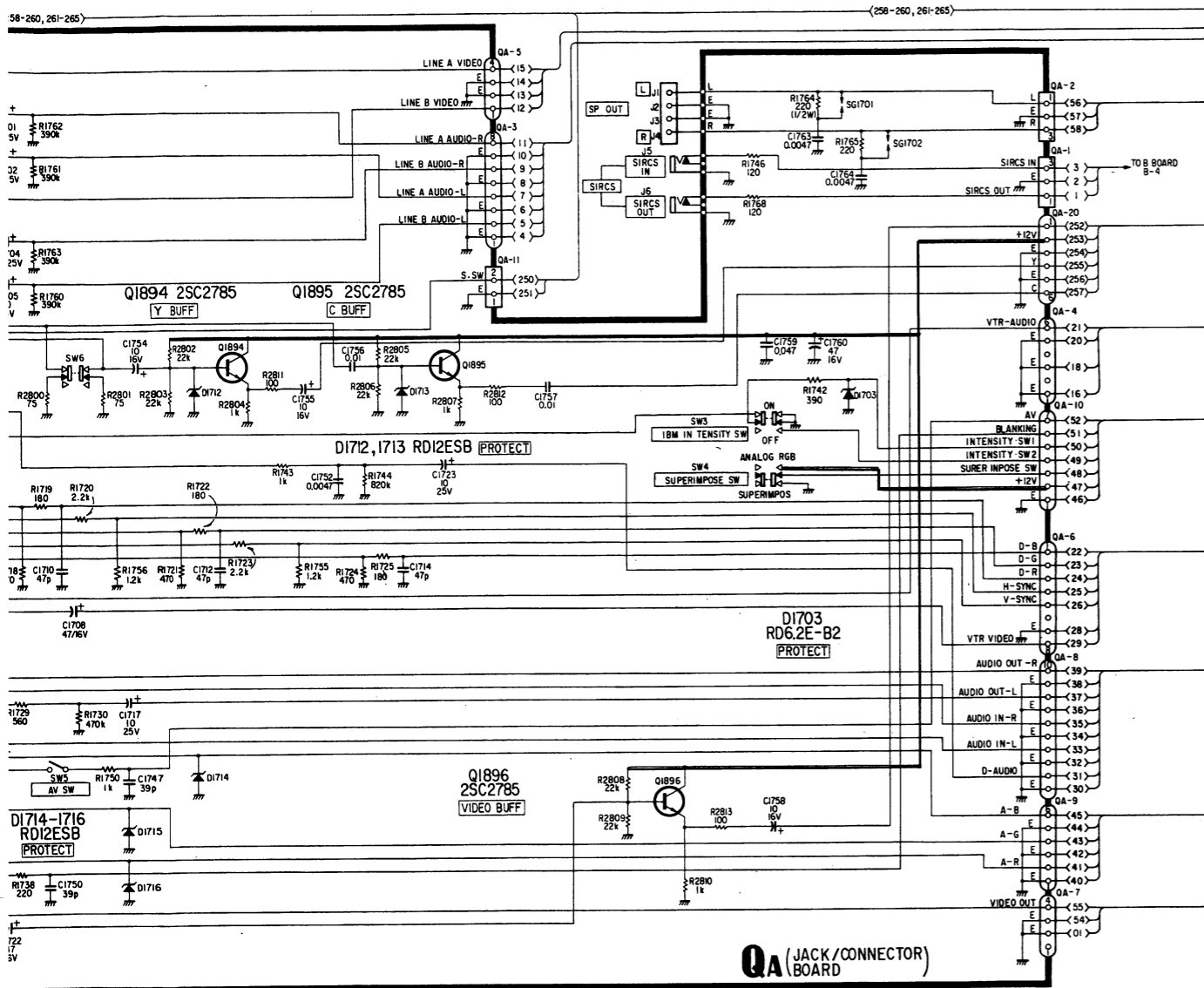
[QB BOARD]



PVM-2730QM RM-668

PVM-

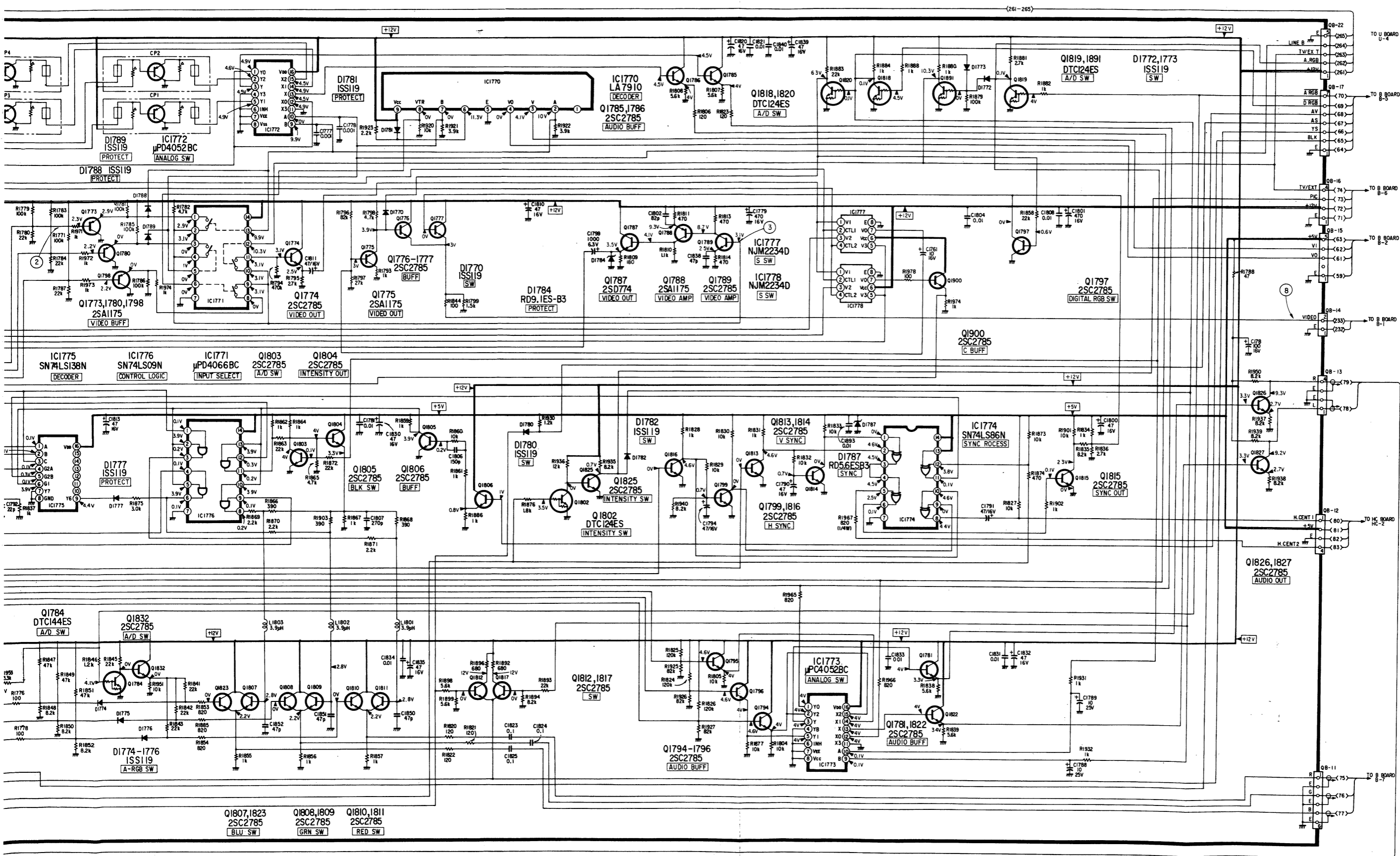
6 7 8 9 10 11 12 13 14 15 16 17 18 19 20 21 22





**PVM-2730QM RM-668**      **PVM-2730QM RM-668**

16      17      18      19      20      21      22      23      24      25      26      27      28      29      30





PVM-2730QM  
RM-668

PVM-2730QM  
RM-668

- Conductor Side -

[ ANALOG/DIGITAL DECODER,  
VIDEO/AUDIO BUFF SYNC PROCES ]

**QB**

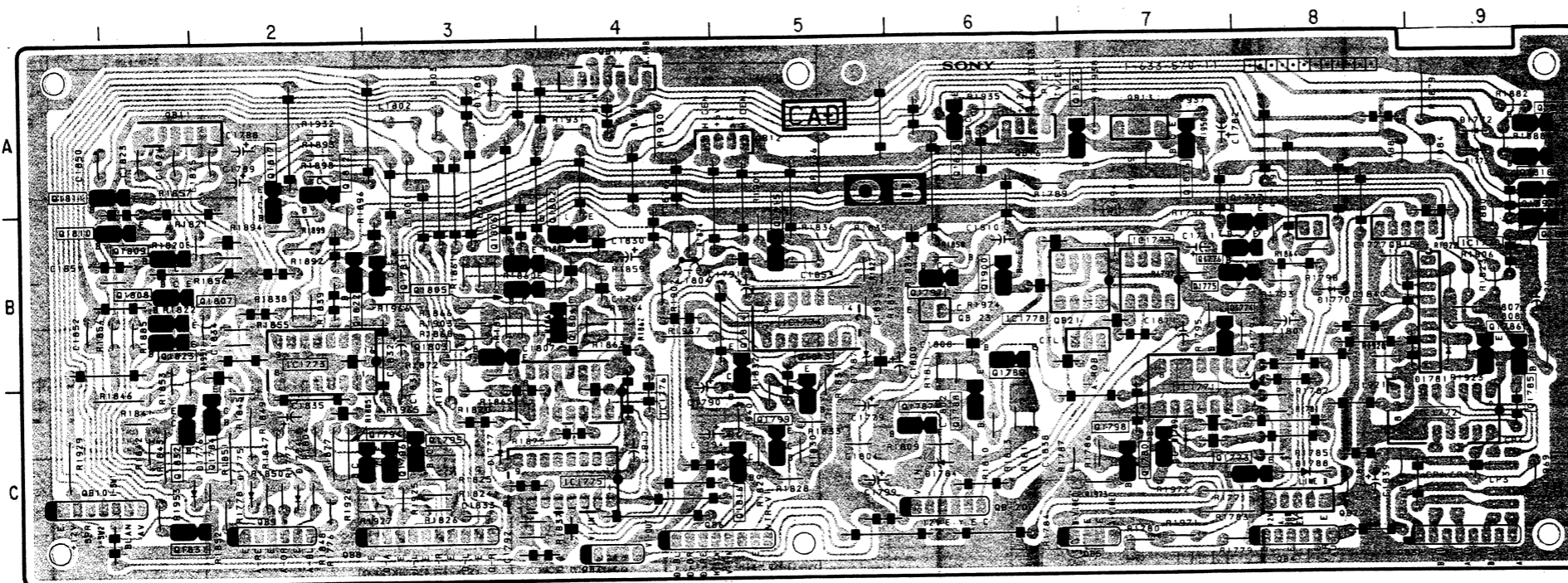
[ JACK/CONNECTOR  
BOARD ]

**QA**

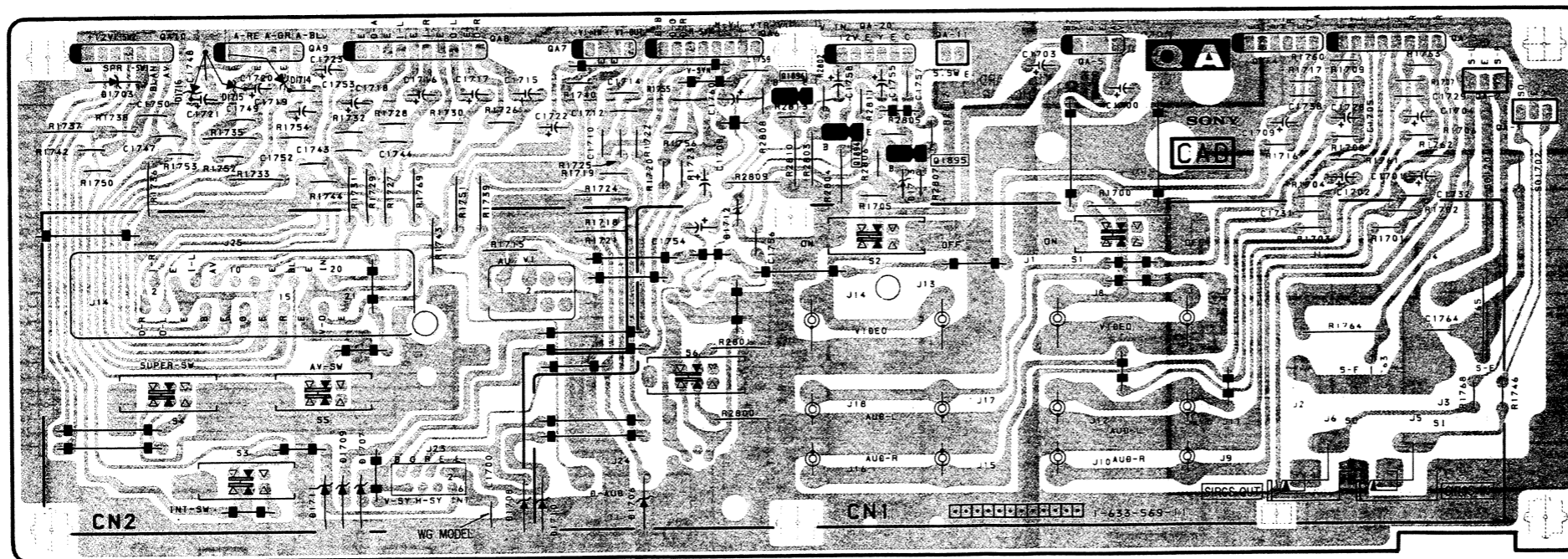
**QB**

**QA**

- QB Board -



- QA Board -



- QB BOARD -

IC		Q1808	B-1
IC1770	B-9	Q1809	B-1
IC1771	C-7	Q1810	B-1
IC1772	C-9	Q1811	A-1
IC1773	B-2	Q1812	A-2
IC1774	B-5	Q1813	B-5
IC1775	C-4	Q1814	B-5
IC1776	C-4	Q1815	B-5
IC1777	B-7	Q1816	C-5
IC1778	B-7	Q1817	A-2
		Q1818	A-9
		Q1819	A-9
		Q1820	B-9
		Q1822	B-2
		Q1823	B-1
		Q1825	A-6
		Q1826	A-7
		Q1827	A-7
		Q1831	C-1
		Q1832	C-1
		Q1891	A-9
		Q1990	B-6
TRANSISTOR		DIODE	
Q1773	C-8	D1770	B-8
Q1774	B-7	D1772	A-9
Q1775	B-8	D1773	A-9
Q1776	B-8	D1774	C-2
Q1777	B-8	D1775	C-2
Q1780	C-7	D1776	C-2
Q1781	B-3	D1777	C-3
Q1784	C-2	D1780	A-3
Q1785	B-9	D1781	B-9
Q1786	B-9	D1782	A-6
Q1787	C-6	D1784	C-6
Q1788	C-6	D1787	B-5
Q1789	B-6	D1788	C-8
Q1794	C-3	D1789	C-7
Q1795	C-3		
Q1796	C-3		
Q1797	B-6		
Q1798	C-7		
Q1799	C-5		
Q1802	B-4		
Q1803	B-3		
Q1804	B-4		
Q1805	B-3		
Q1806	B-3		
Q1807	B-1		



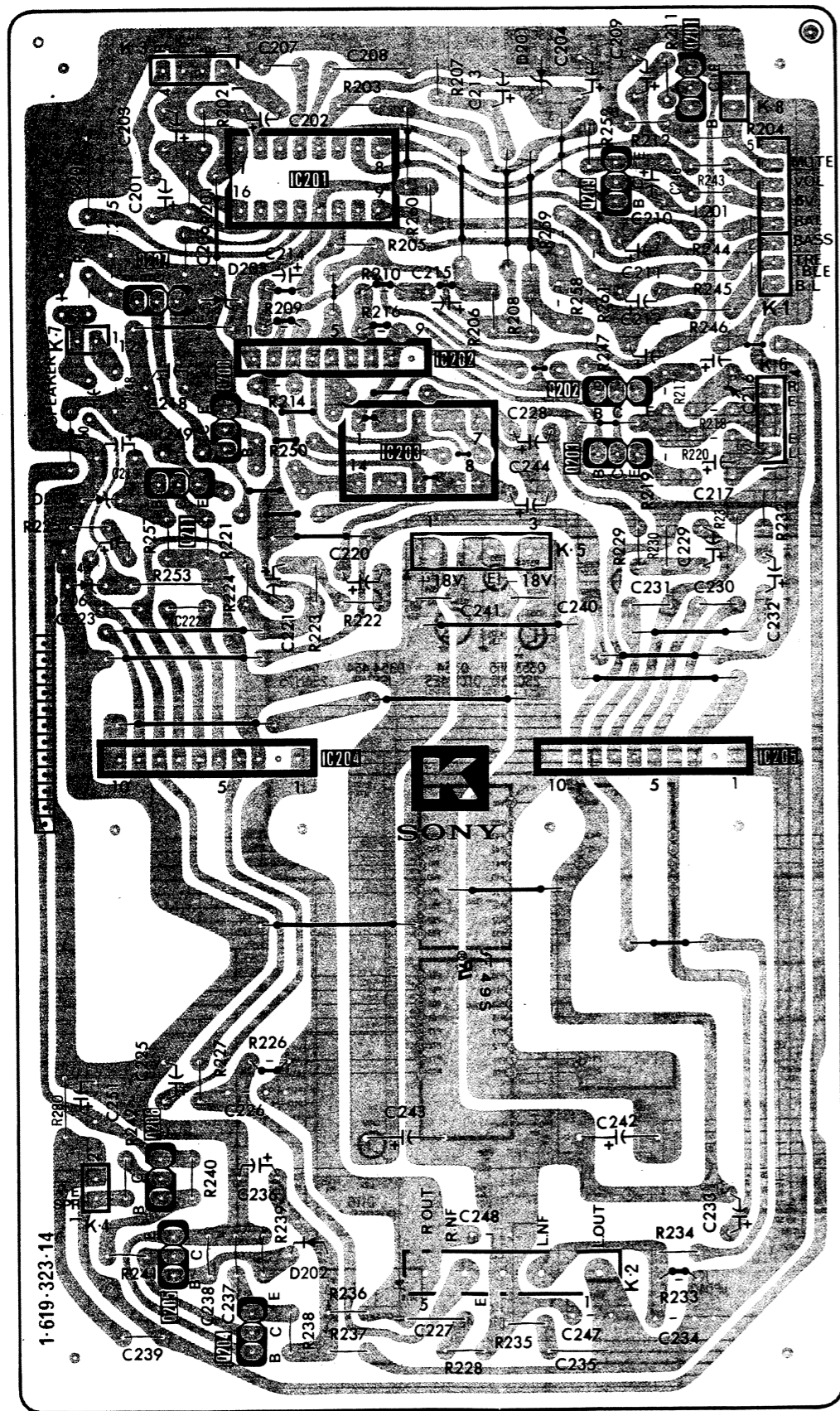
PVM-2730QM  
RM-668

PVM-2730QM  
RM-668

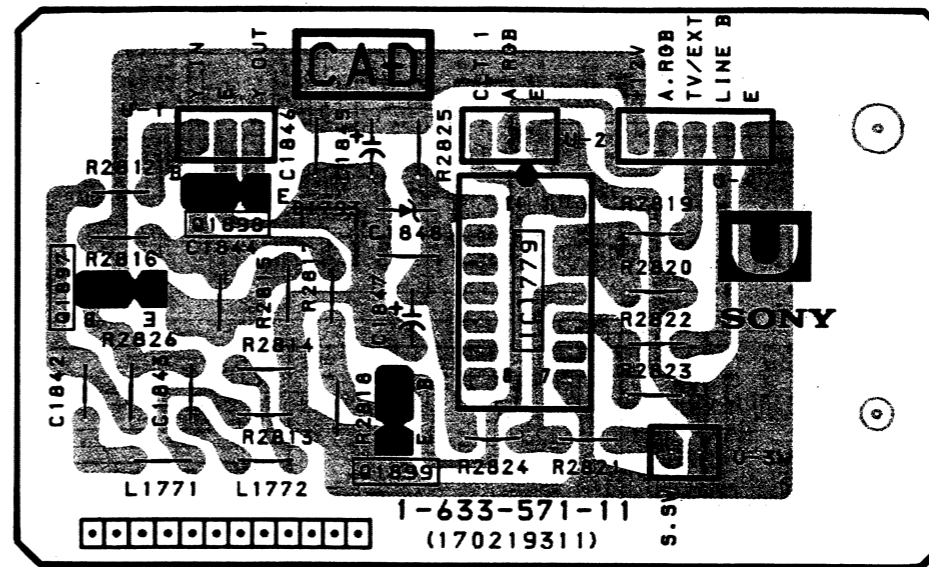
[AUDIO AMP] **K**

**U** [S VIDEO CONTROLOR]

- K Board -

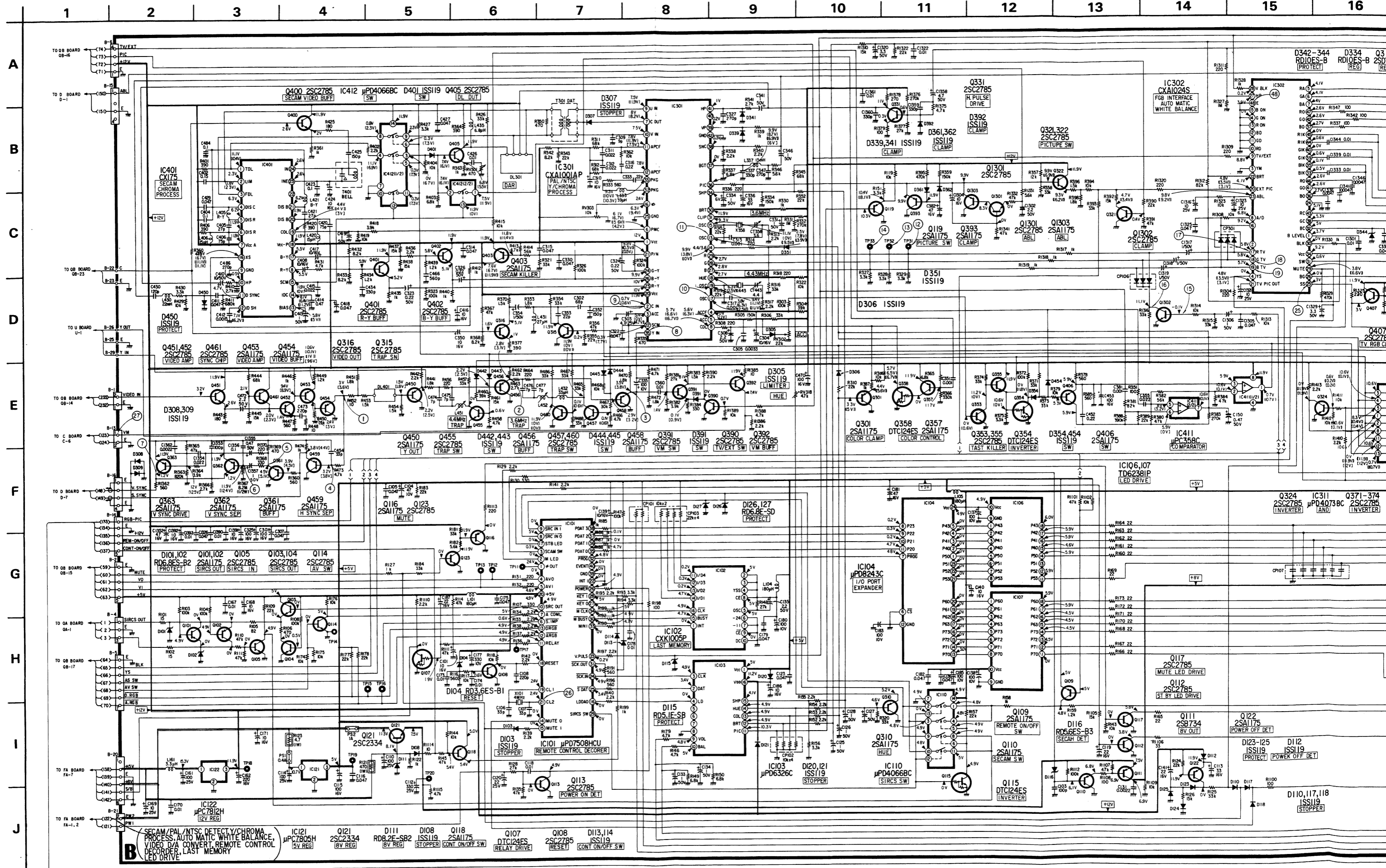


- U Board -





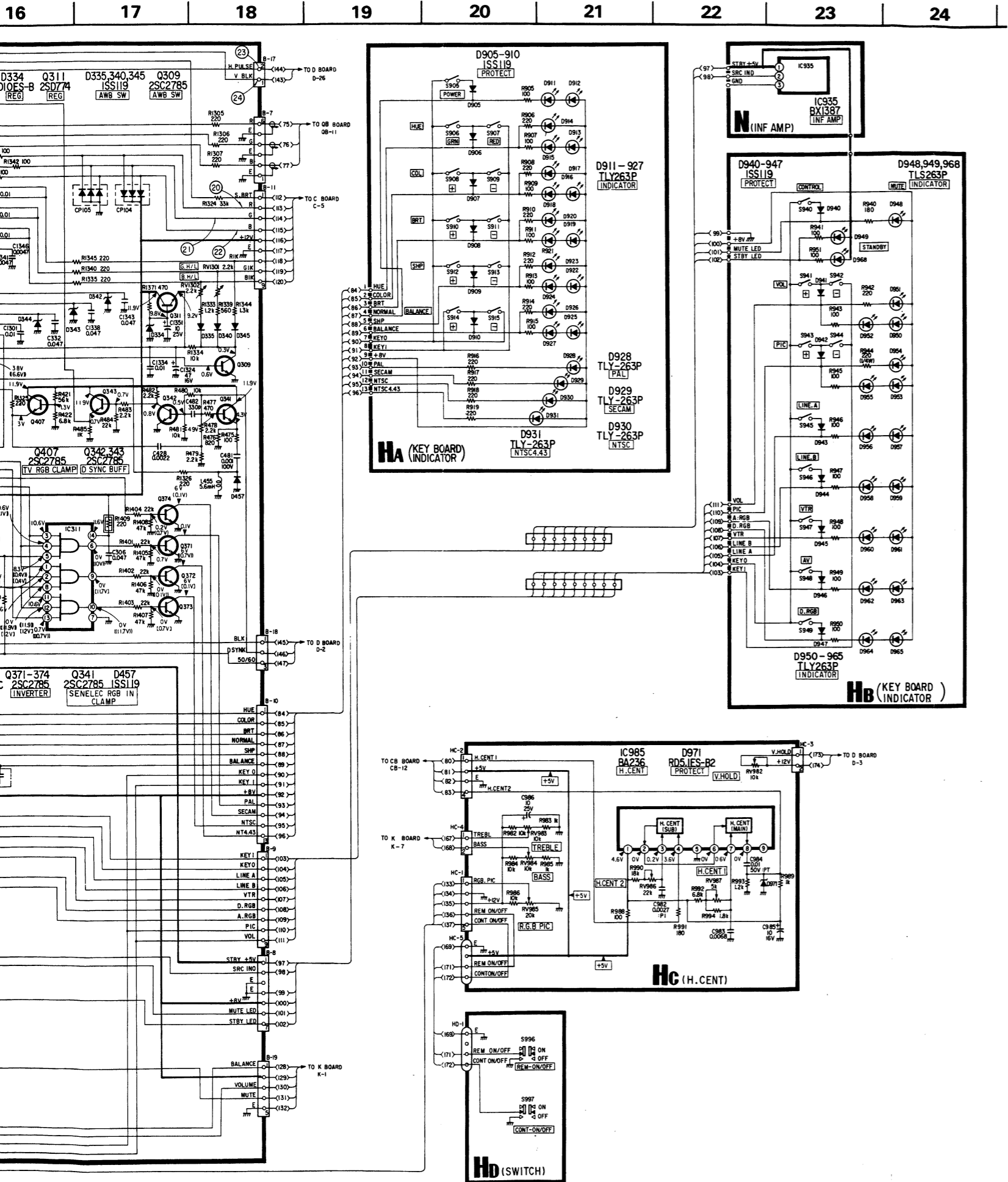
PVM-2730QM RM-668 PVM-2730QM RM-668



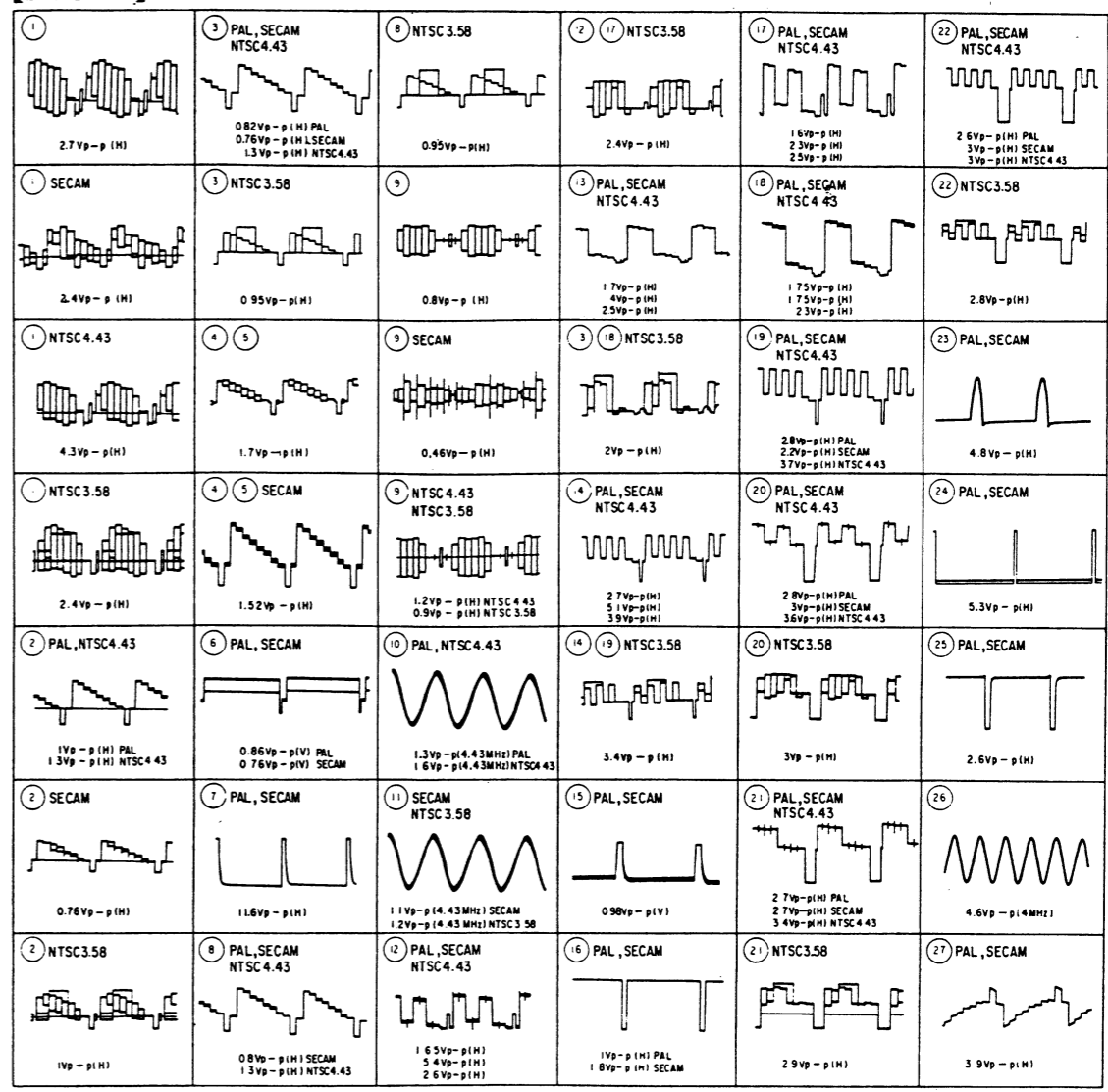


PVM-2730QM RM-668

PVM-2730QM RM-668



[B BOARD]





PVM-2730QM  
RM-668

PVM-2730QM  
RM-668

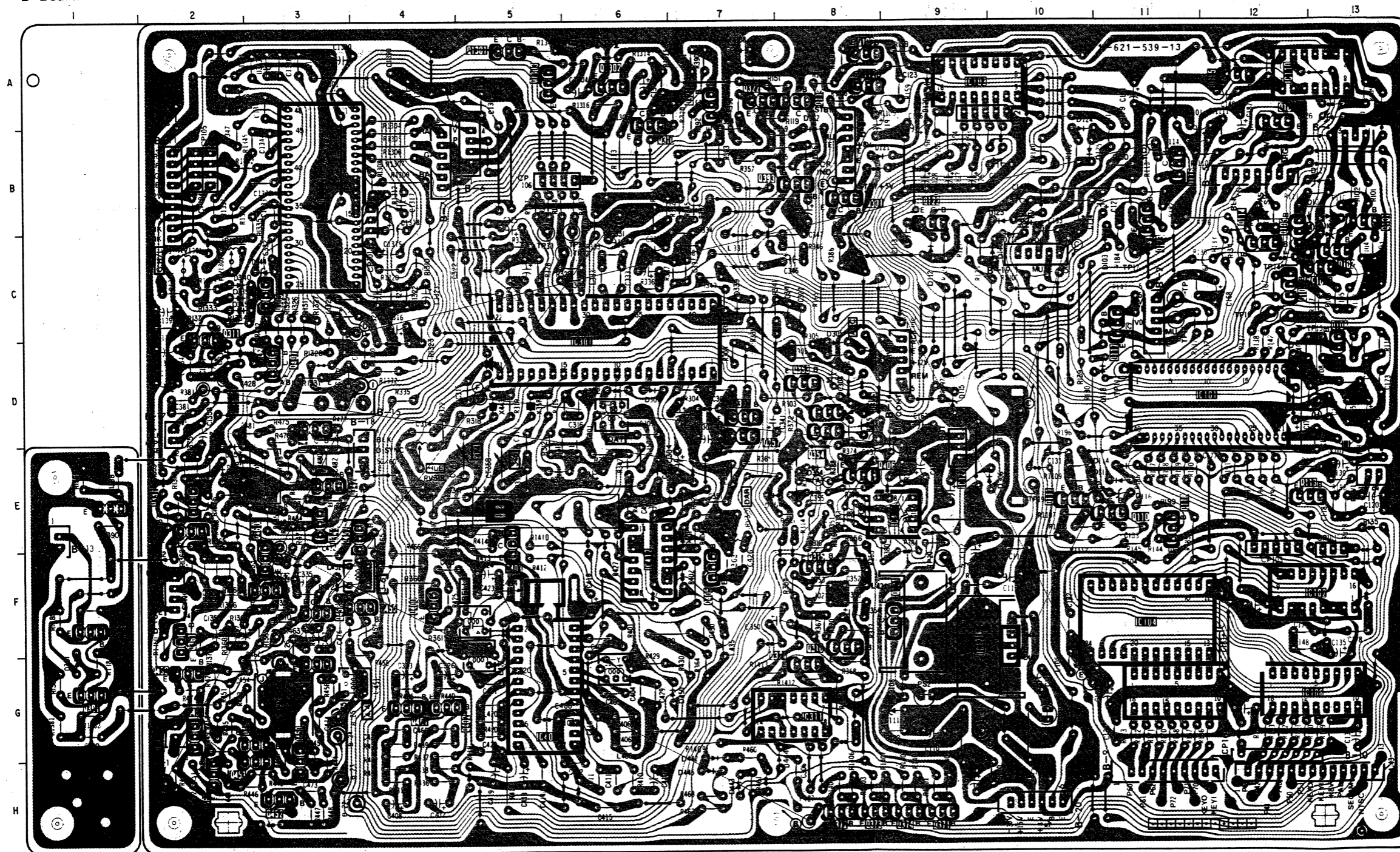
SECAM/PAL/NTSC DETECT, Y/CHROMA  
PROCESS, AUTO MATIC WHITE BALANCE,  
VIDEO D/A CONVERT, REMOTO CONTROL  
DECORDER, LAST MEMORY  
LED DRIVE

B

B

- Conductor Side -

- B Board -



- B BOARD -

IC		E-2		DIODE	
IC101	D-12	Q341	D-3	D101	B-13
IC102	F-13	Q342	E-3	D102	B-13
IC103	A-9	Q343	E-3	D103	C-11
IC104	F-11	Q353	D-8	D104	D-12
IC106	G-13	Q354	D-8	D108	G-9
IC107	G-11	Q355	D-8	D110	C-10
IC110	A-13	Q357	D-7	D111	G-9
IC121	F-10	Q358	D-7	D112	C-9
IC122	E-9	Q361	F-2	D113	E-11
IC301	D-6	Q362	F-3	D114	E-11
IC302	B-3	Q363	E-2	D115	D-9
IC311	G-8	Q371	H-9	D116	E-11
IC401	G-5	Q372	H-8	D117	C-10
IC411	E-9	Q373	H-8	D118	D-18
IC412	F-6	Q374	H-9	D120	A-9
		Q390	E-1	D121	B-8
		Q391	G-1	D123	B-10
		Q392	F-1	D124	B-10
		Q393	B-8	D125	B-10
TRANSISTOR		Q400	F-4	D126	A-13
Q101	B-13	Q401	G-4	D127	B-13
Q102	C-13	Q402	G-4	D305	D-8
Q103	C-12	Q403	E-5	D306	E-10
Q104	C-13	Q405	F-7	D307	D-6
Q105	C-12	Q406	E-8	D308	A-7
Q107	A-12	Q407	D-3	D309	A-7
Q108	D-13	Q450	H-3	D334	D-2
Q109	A-8	Q451	G-2	D335	C-2
Q110	E-11	Q452	H-3	D339	C-7
Q111	E-10	Q453	H-3	D340	C-2
Q112	A-8	Q454	G-3	D341	C-8
Q113	E-12	Q455	F-4	D342	A-2
Q114	C-12	Q456	G-3	D343	A-3
Q115	A-12	Q457	E-4	D344	C-3
Q116	B-11	Q458	F-3	D345	C-2
Q117	C-11	Q459	G-2	D351	E-8
Q118	E-11	Q460	F-3	D354	E-8
Q119	A-8	Q461	H-2	D361	B-8
Q121	F-9	Q1301	A-5	D362	B-8
Q122	B-9	Q1302	A-6	D391	G-1
Q123	B-11	Q1303	A-5	D392	E-2
Q301	B-8			D401	E-7
Q309	C-3			D442	H-7
Q310	A-6			D443	H-7
Q311	C-2			D444	H-8
Q315	F-8			D445	H-7
Q316	F-8			D450	G-7
Q321	A-7			D454	E-7
Q322	A-7			D457	E-2
Q324	G-8				
VARIABLE RESISTOR					
RV301	E-6				
RV302	D-7				
RV303	A-3				
RV318	E-3				
RV1301	C-1				
RV1302	C-1				



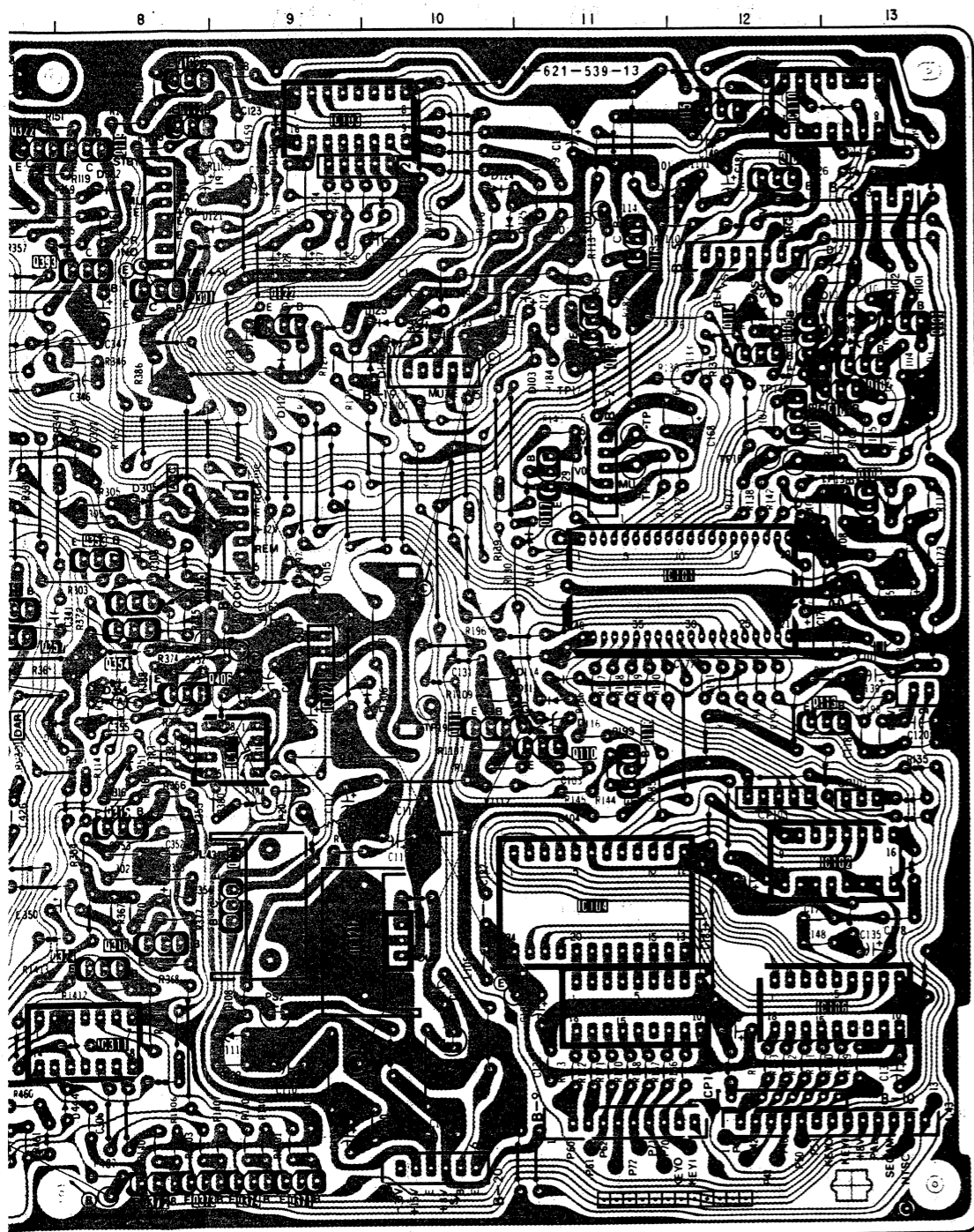
I-2730QM RM-668 PVM-2730QM RM-668

PVM-2730QM RM-668

ROMA  
ANCE,  
NTROL

**B** **B**

[KEY BOARD INDICATOR] **HA** [KEY BOARD INDICATOR] **HB** [H. CENT] **HC**



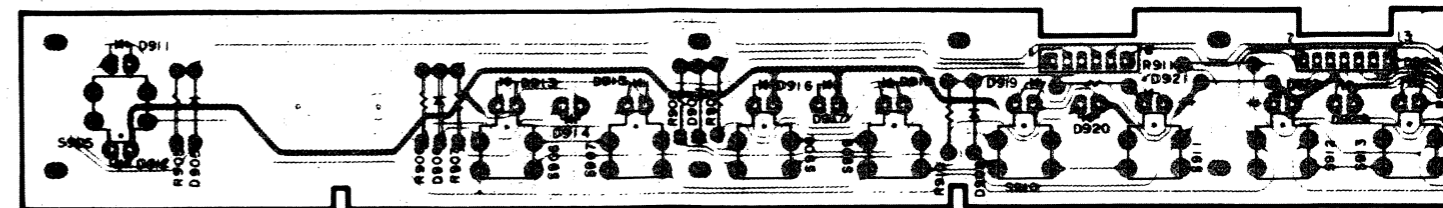
- B BOARD -

IC		DIODE	
IC101	D-12	Q331	E-2
IC102	F-13	Q341	D-3
IC103	A-9	Q342	E-3
IC104	F-11	Q343	E-3
IC106	G-13	Q353	D-8
IC107	G-11	Q354	D-8
IC110	A-13	Q355	D-8
IC121	F-10	Q357	D-7
IC122	E-9	Q358	D-7
IC301	D-6	Q361	F-2
IC302	B-3	Q362	F-3
IC311	G-8	Q363	E-2
IC401	G-5	Q371	H-9
IC411	E-9	Q372	H-8
IC412	F-6	Q373	H-8
		Q374	H-9
		Q390	E-1
		Q391	G-1
		Q392	F-1
		Q393	B-8
		Q400	F-4
		Q401	G-4
		Q402	G-4
		Q403	E-5
		Q405	F-7
		Q406	E-8
		Q407	D-3
		Q450	H-3
		Q451	G-2
		Q452	H-3
		Q453	H-3
		Q454	G-3
		Q455	F-4
		Q456	G-3
		Q457	E-4
		Q458	F-3
		Q459	G-2
		Q460	F-3
		Q461	H-2
		Q1301	A-5
		Q1302	A-6
		Q1303	A-5
		D305	D-8
		D306	E-10
		D307	D-6
		D308	A-7
		D309	A-7
		D334	D-2
		D335	C-2
		D339	C-7
		D340	C-2
		D341	C-8
		D342	A-2
		D343	A-3
		D344	C-3
		D345	C-2
		D351	E-8
		D354	E-8
		D361	B-8
		D362	B-8
		D391	G-1
		D392	E-2
		D401	E-7
		D442	H-7
		D443	H-7
		D444	H-8
		D445	H-7
		D450	G-7
		D454	E-7
		D457	E-2

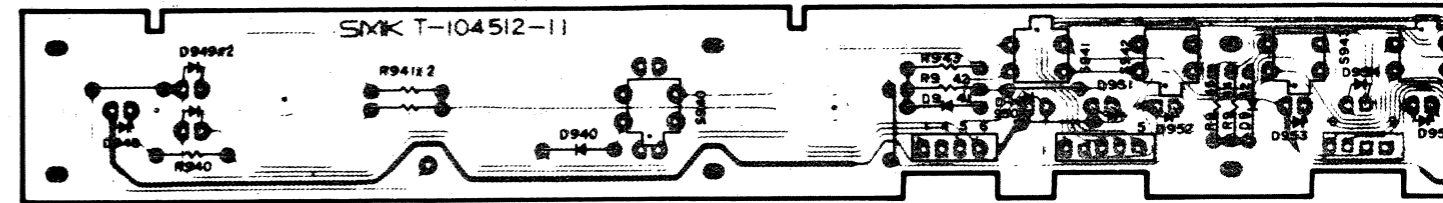
  

TRANSISTOR		VARIABLE RESISTOR	
Q101	B-13	RV301	E-6
Q102	C-13	RV302	D-7
Q103	C-12	RV303	A-3
Q104	C-13	RV318	E-3
Q105	C-12	RV1301	C-1
Q107	A-12	RV1302	C-1
Q108	D-13		
Q109	A-8		
Q110	E-11		
Q111	E-10		
Q112	A-8		
Q113	E-12		
Q114	C-12		
Q115	A-12		
Q116	B-11		
Q117	C-11		
Q118	E-11		
Q119	A-8		
Q121	F-9		
Q122	B-9		
Q123	B-11		
Q301	B-8		
Q309	C-3		
Q310	A-6		
Q311	C-2		
Q315	F-8		
Q316	F-8		
Q321	A-7		
Q322	A-7		
Q324	G-8		

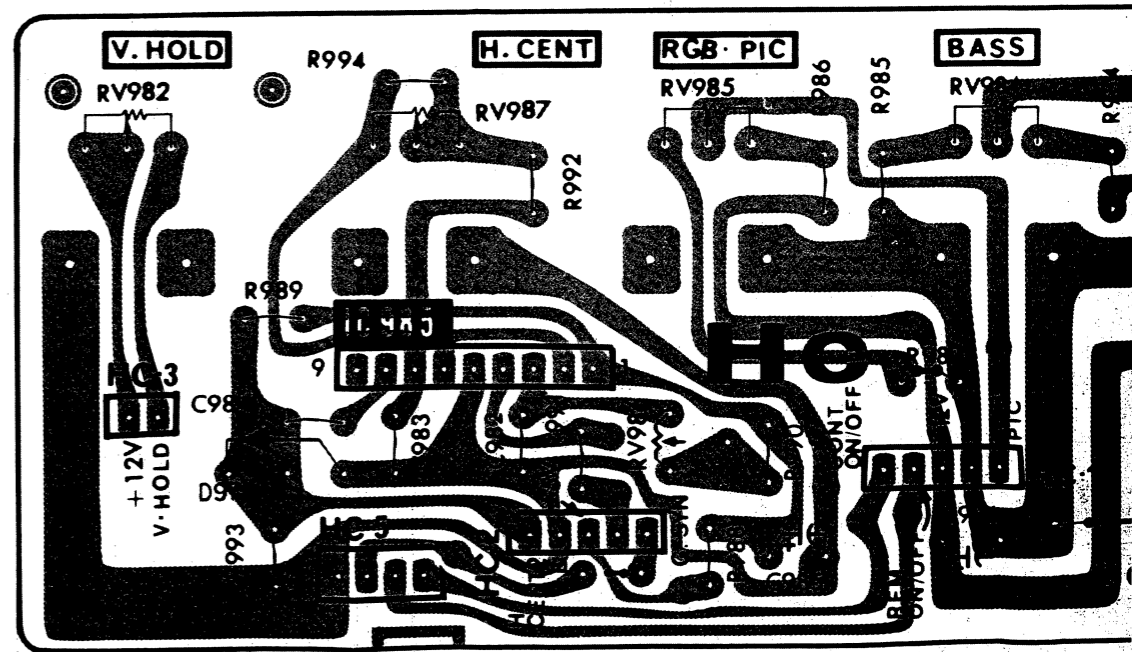
- HA Board -



- HB Board -



- HC Board -







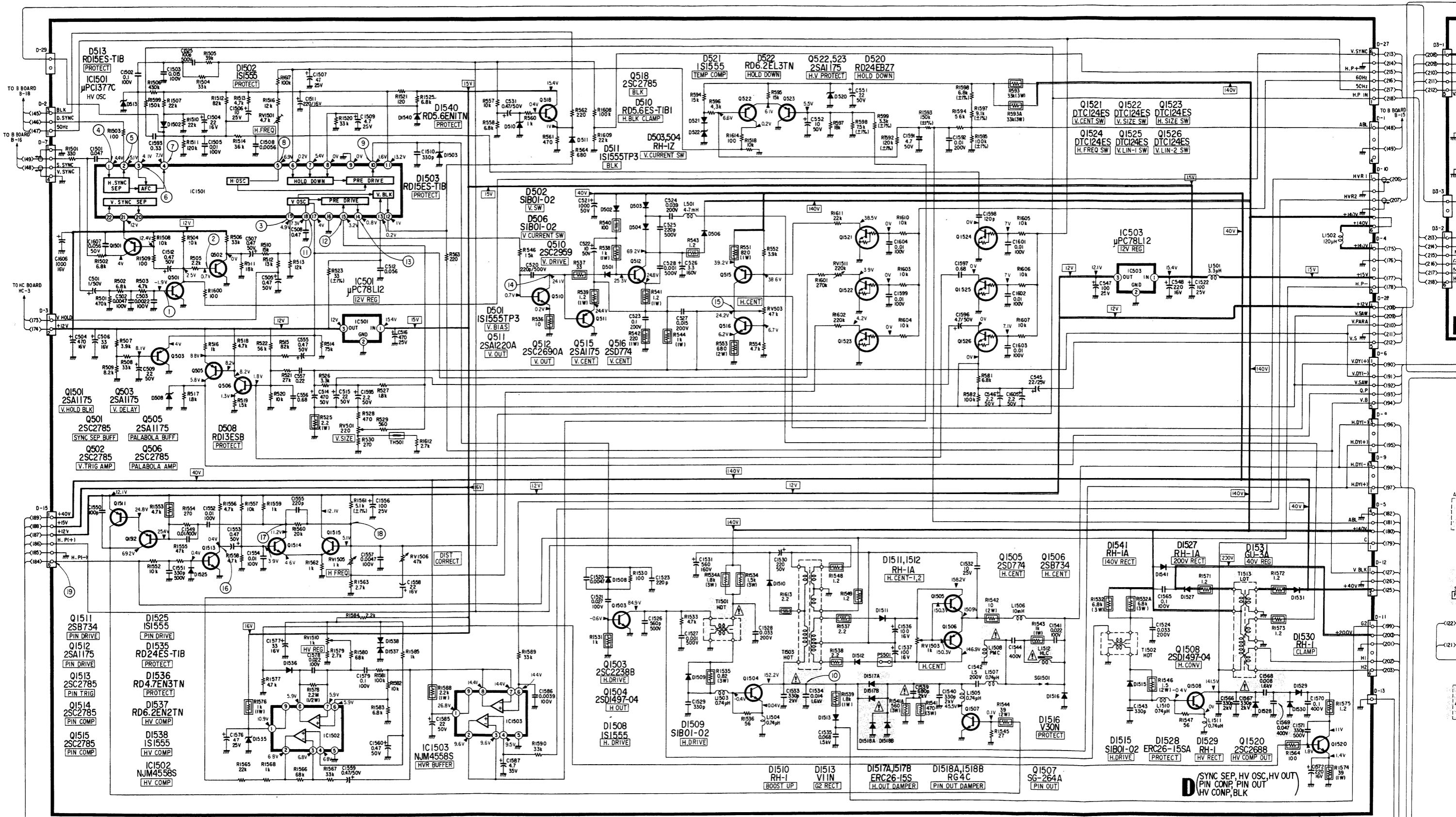
PVM-2730QM  
RM-668

PVM-2730QM  
RM-668

PVM-2730QM  
RM-668

1 2 3 4 5 6 7 8 9 10 11 12 13 14 15 16

A  
B  
C  
D  
E  
F  
G  
H  
I  
J





PVM-2730QM RM-668

PVM-2730QM RM-668

PVM

10

11

12

13

14

15

16

17

18

19

20

21

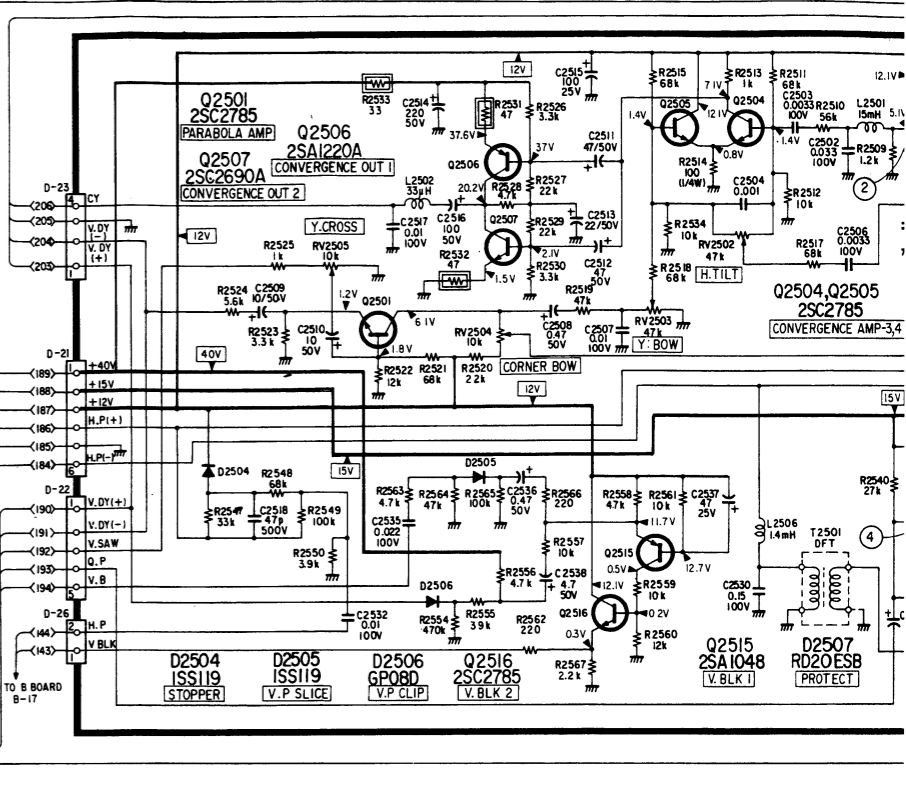
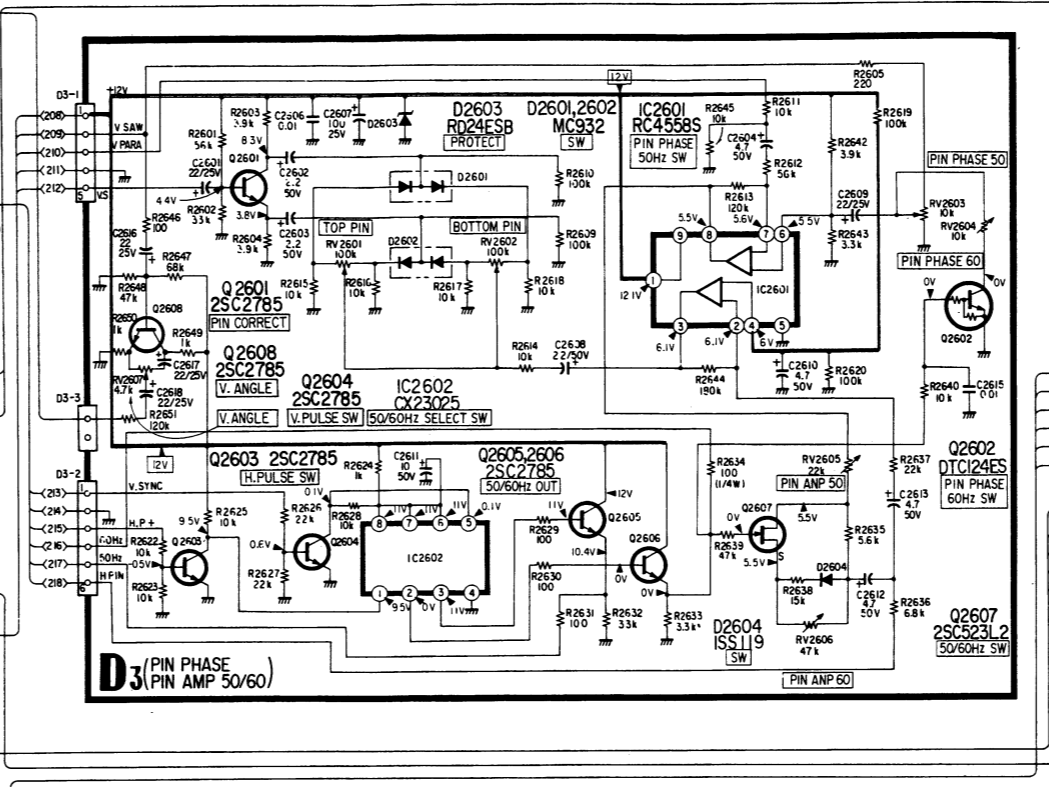
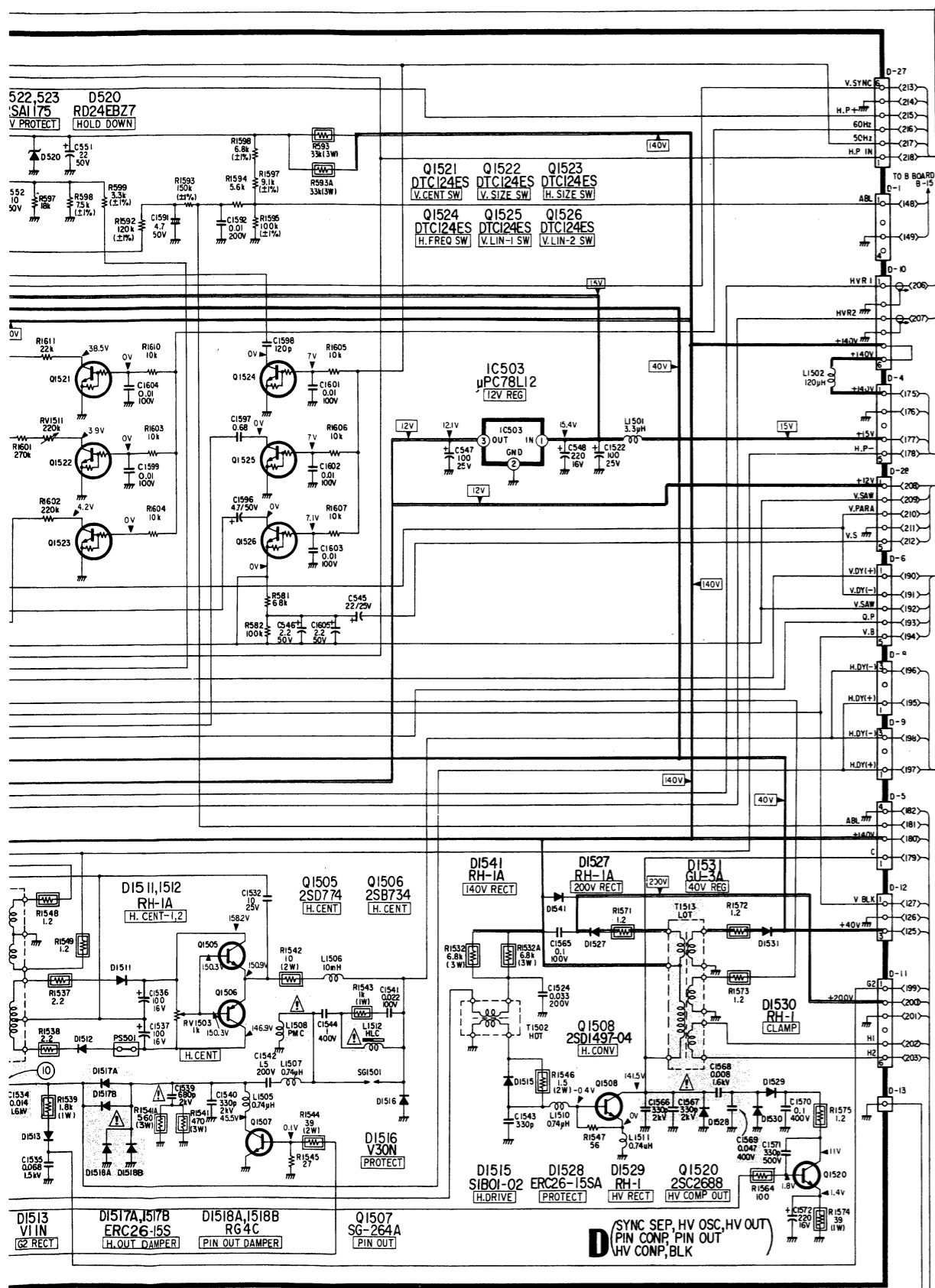
22

23

24

25

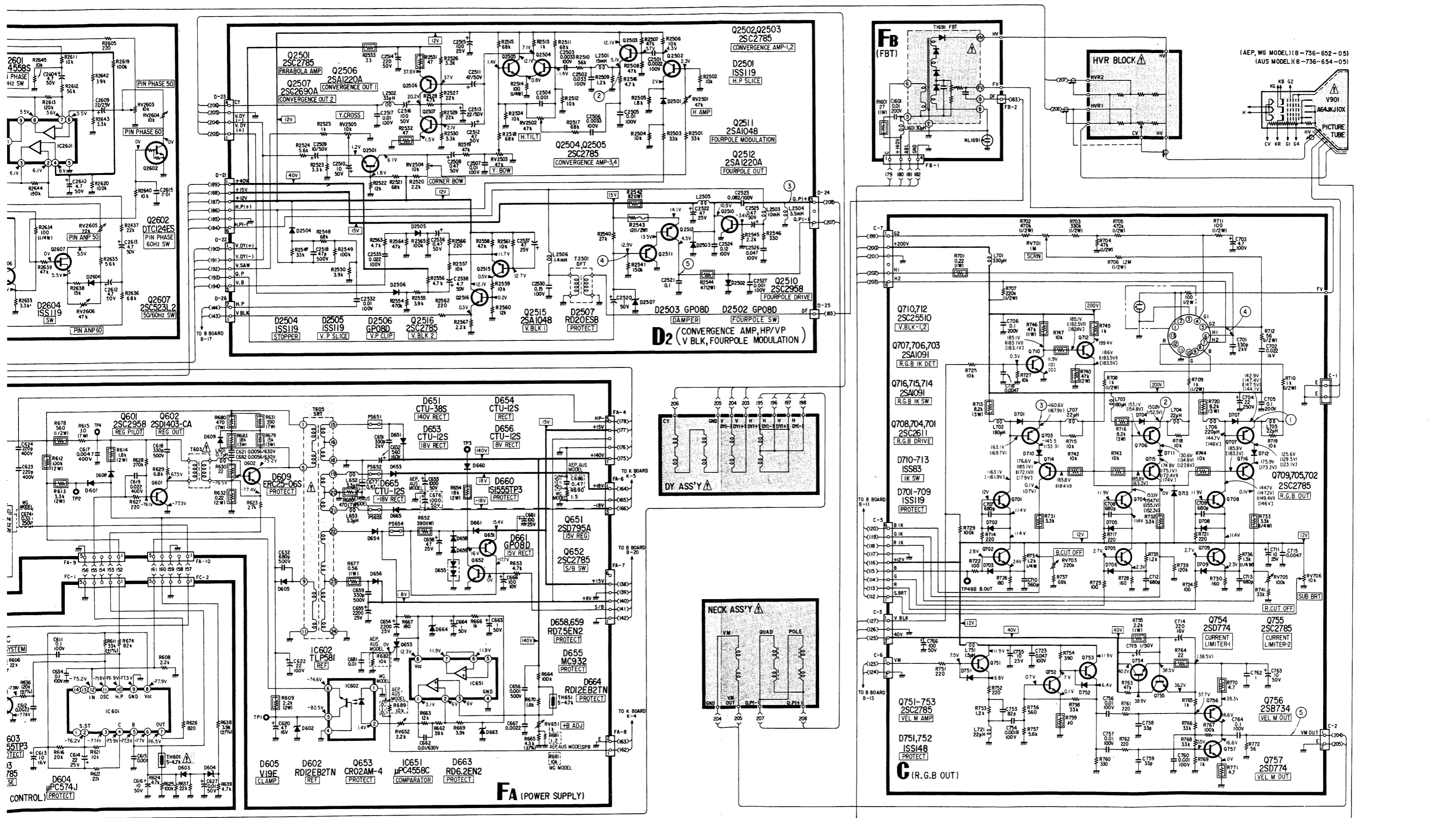
26





PVM-2730QM RM-668

20 21 22 23 24 25 26 27 28 29 30 31 32 33 34 35













PVM-2730QM  
RM-668

PVM-2730QM  
RM-668

PVM-2730QM  
RM-668

VERGENCE AMP, HP/VP  
K, FOURPOLE MODULATION

**D2**

[POWER CONTROL]

**FC**

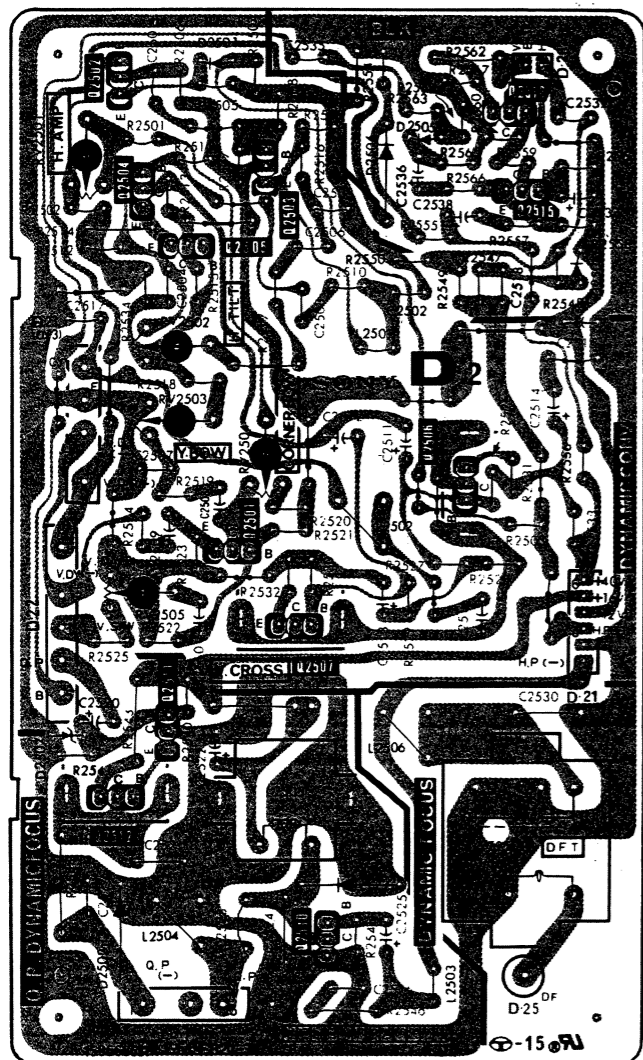
**FA**

[POWER SUPPLY]

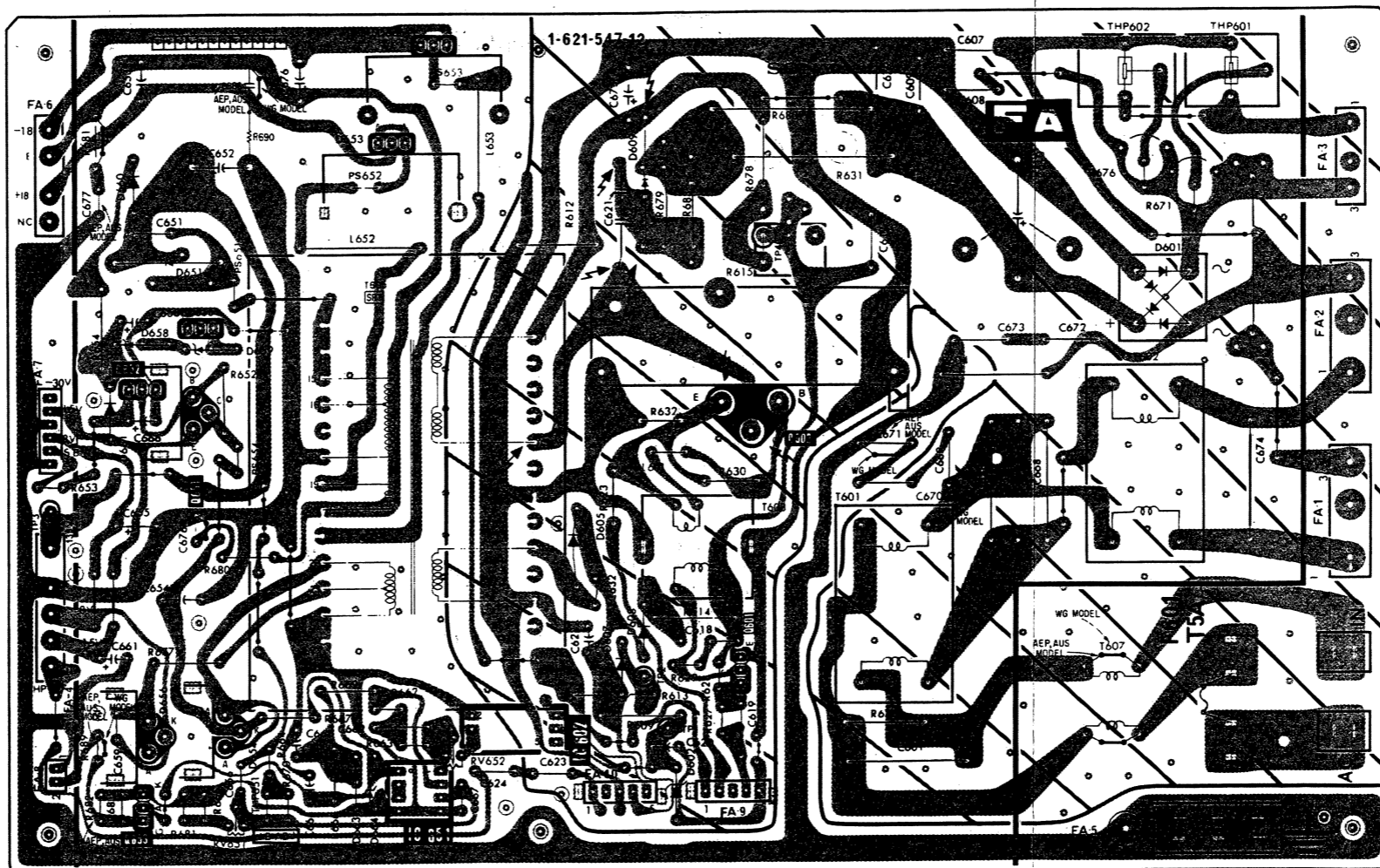
**D3**

[PIN PHASE  
PIN AMP 50/60]

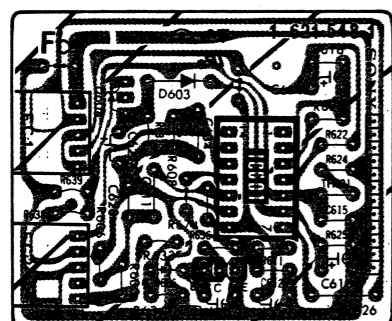
- D2 Board -



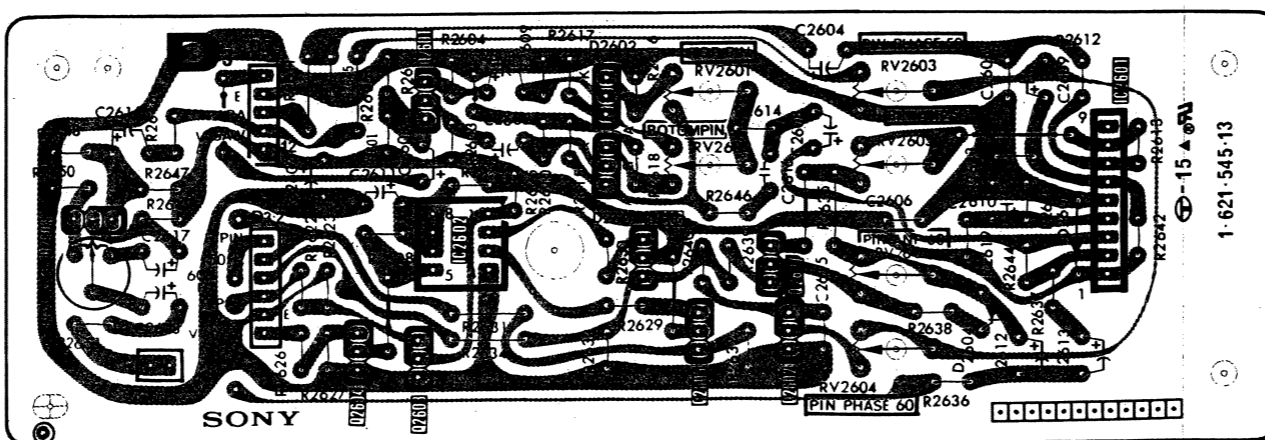
- FA Board -



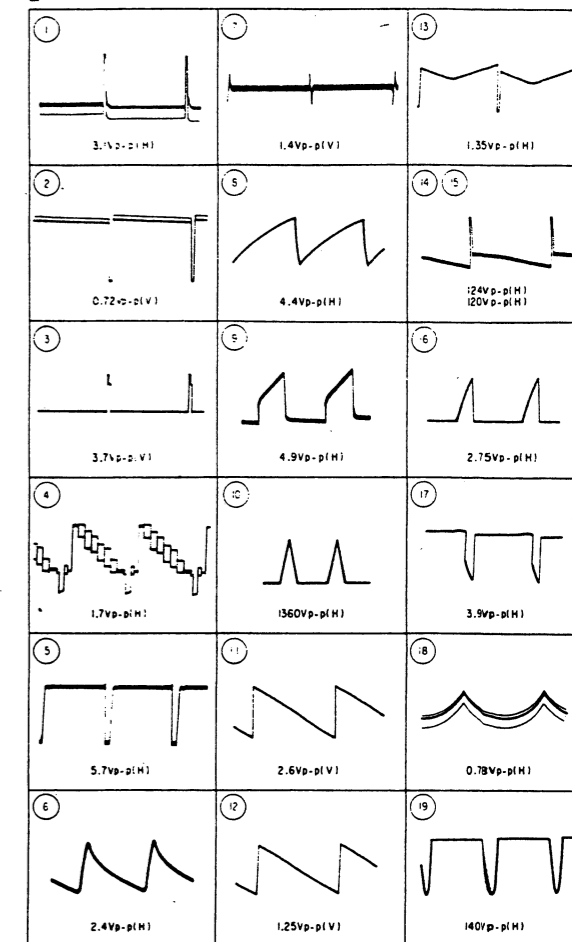
- FC Board -



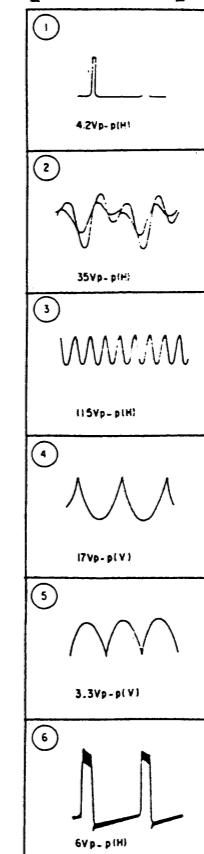
- D3 Board -



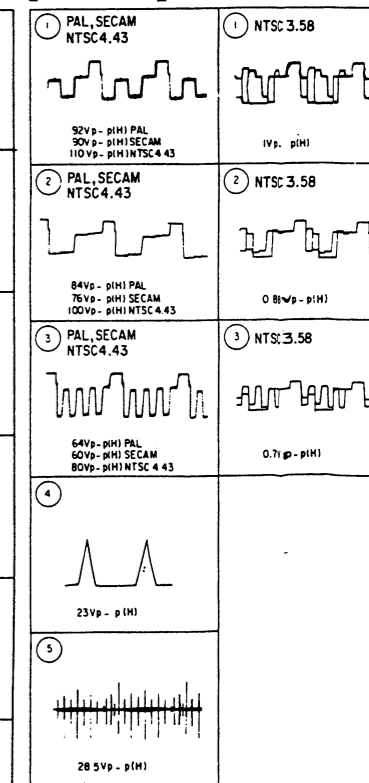
[D BOARD]



[D2 BOARD]



[C BOARD]





PVM-2730QM  
RM-668

PVM-2730QM  
RM-668

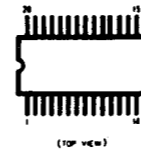
PVM-2730QM  
RM-668

5-5. SEMICONDUCTORS

BA236  
LA7910  
RC4558S



CX7947



μ PC574J



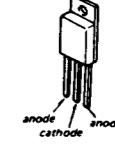
2SA1091  
2SC2551



2SC2673



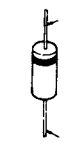
CTU-12S



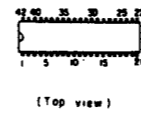
MC911



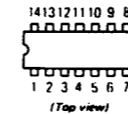
RG41



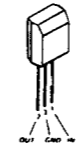
CXA1001AP



SN74LS09N  
SN74LS86N  
TC4073BP  
TC4082BP  
μ PC1394C  
μ PD4066BC  
μ PD4073BC



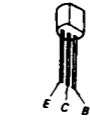
μ PC78L12



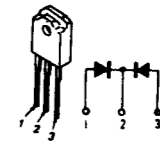
2SA1175  
2SC2785



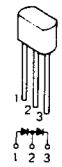
2SD788



CTU-38S



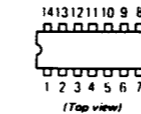
MC931



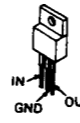
SG26



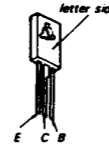
CXA1024S



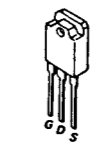
μ PC7805H  
μ PC7812H



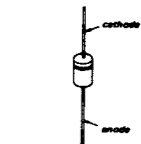
2SA1220A  
2SC2611  
2SC2688  
2SC2690A



2SD1403-CA



ERC25-06S  
RH-1  
RH-1A  
RH-1Z



RD12E-R2  
RD24E-BZ7TN  
RD5.6E-N1TN  
RD6.2E-B1  
RD6.2E-N2TN  
RD6.2E-L3TN  
RD6.2E-N2  
RD7.5E-N2  
1SS83  
1S1555  
10E-2

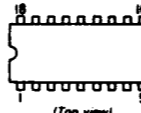
S3WB



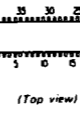
CXK1005P  
SN74LS138N  
TA7630P  
μ PD4052BC  
μ PD6326C



TD62381P



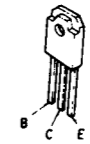
μ PD7508HCU-258



2SB734  
2SC2958  
2SC2959  
2SD773  
2SD774



2SD1497-04



ERC26-15S  
ERC26-15SA  
GU-3A  
V11N  
V19E  
V30N

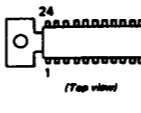


RD10ES-B2  
RD12ES-B  
RD13ES-B  
RD13ES-B2  
RD15ES-B  
RD20ES-B  
RD24ES-B  
RD3.6ES-B1  
RD5.1ES-B  
RD5.1ES-B2  
RD5.6ES-B1  
RD5.6ES-B3  
RD6.2ES-B2  
RD6.8ES-B  
RD6.8ES-B2  
RD8.2ES-B2  
RD9.1ES-B3  
1SS119

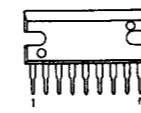
SLR-93



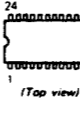
CX175



μ PC1188H



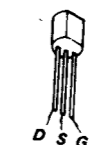
μ PD8243C



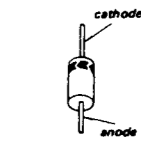
2SC2238B  
2SC2334-L  
2SD795A



2SK523-L2



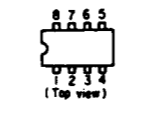
GP08D



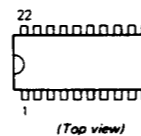
TLP58



CX23025  
NJM4558C  
μ PC358C  
μ PC4558C



μ PC1377C



DTC124ES  
DTC144ES  
2SA1048



CR02AM-4



GP08D

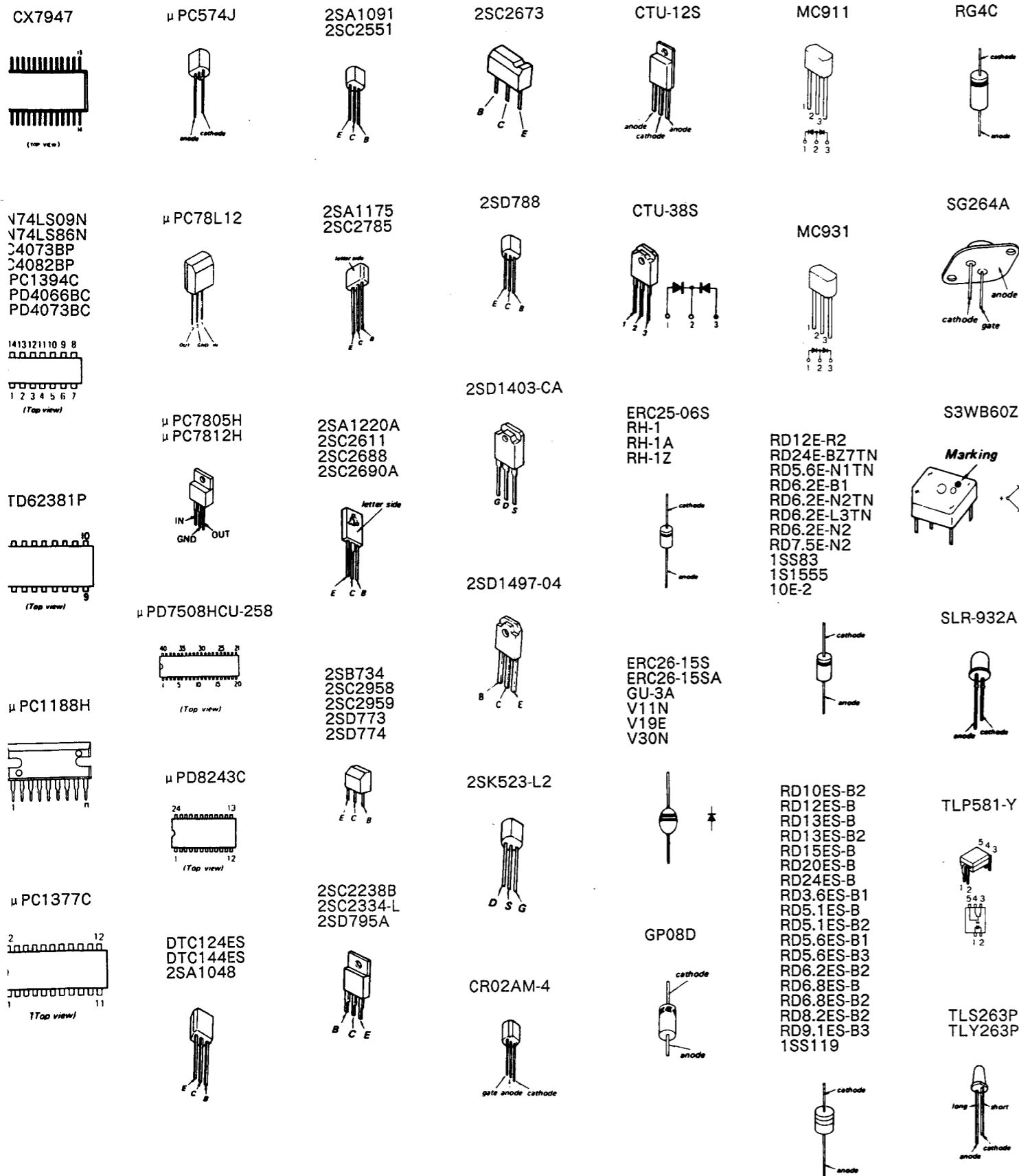


TLS26



**PVM-2730QM**  
RM-668

**PVM-2730QM**  
RM-668



**SECTION 6**  
**EXPLODED VIEWS**

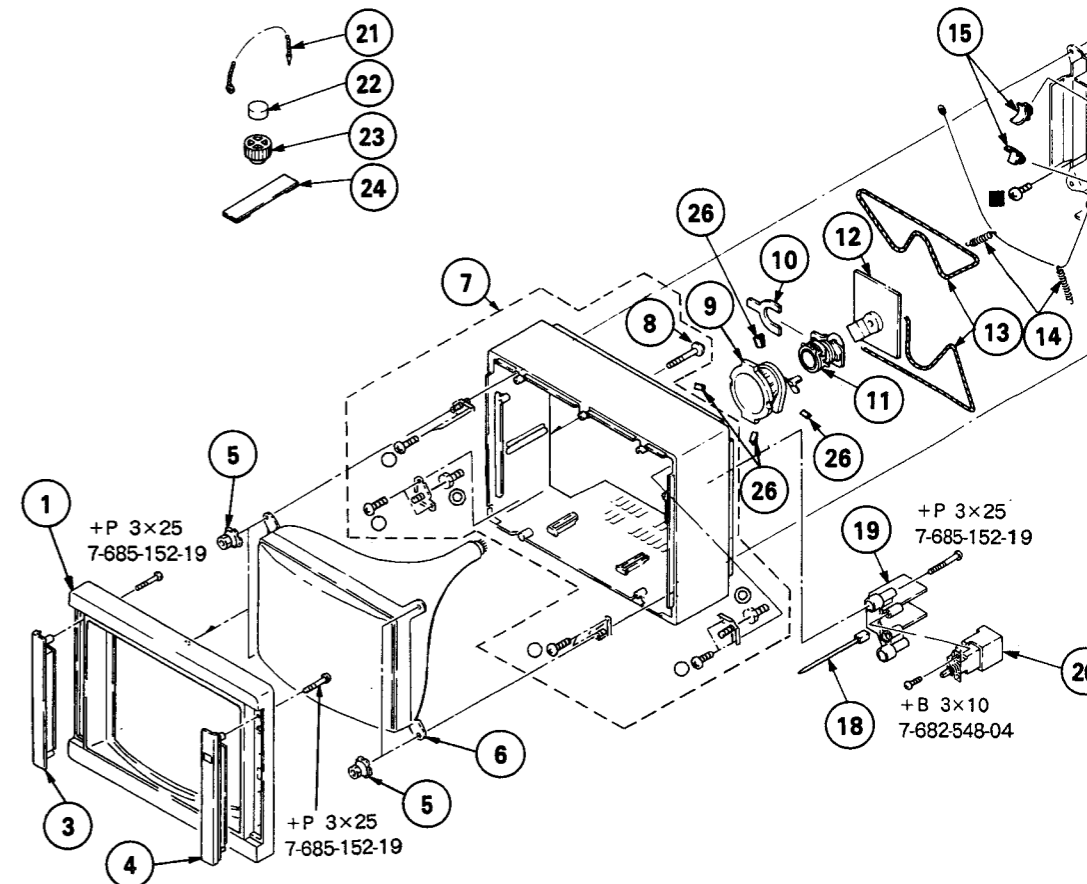
The components identified by shading and mark  $\Delta$  are critical for safety. Replace only with part number specified.

**NOTE:**

- Items with no part number and no description are not stocked because they are seldom required for routine service.
- The construction parts of an assembled part are indicated with a collation number in the remark column.
- Items marked "★" are not stocked since they are seldom required for routine service. Some delay should be anticipated when ordering these items.

**6-1. PICTURE TUBE**

- $\Delta$ : +BVTP 4×12 7-685-661-14
- ⊙: BOLT, HEXAGON 5×20 7-683-340-07
- : +BVTP 4×20 7-685-664-79
- : +BVTP 3×8 7-685-646-79



No.	Part No.	Description	Remark	No.	Part No.	Description
1	X-4374-191-1	BEZEL ASSY		14	4-303-774-XX	SPRING
2	3-703-083-00	+ BV 3X25		15	*4-371-629-01	STOPPER, WI
3	1-464-792-11	KEY BOARD UNIT (A)		16	4-306-034-00	FLANGE NUT,
4	1-464-793-11	KEY BOARD UNIT (B)		17	$\Delta$ 1-230-712-22	RESISTOR AS
5	4-376-980-01	NUT, SPECIAL, PICTURE TUBE		18	*4-371-182-01	SHAFT
6	$\Delta$ 8-736-652-05	PICTURE TUBE (A64JKJ10X) (AEP, WG ONLY)		19	*4-371-183-01	COVER, MAIN
	$\Delta$ 8-736-654-05	PICTURE TUBE (A64JKJ10X) (AUS ONLY)		20	$\Delta$ 1-554-966-12	SWITCH, PUS
7	X-4374-192-1	CABINET ASSY	8	21	4-308-870-00	CLIP, LEAD
8	4-319-520-11	SCREW, SPECIAL (+PW4X30)		22	1-452-032-00	MAGNET, DIS
9	$\Delta$ 1-451-255-23	DEFLECTION YOKE (Y27FXA)		23	1-452-094-00	MAGNET, ROT
10	1-452-146-21	MAGNET, BMC		24	X-4308-815-0	PERMALOY A
11	$\Delta$ 1-452-351-22	NECK ASSY, PICTURE TUBE (NA302)		26	3-703-003-00	SPACER, DY
12	*A-1330-789-A	C BOARD, COMPLETE				
13	$\Delta$ 1-426-278-22	COIL, DEMAGNETIZATION				

**PVM-2730QM**  
RM-668

**PVM-2730QM**  
RM-668

**SECTION 6**  
**EXPLODED VIEWS**

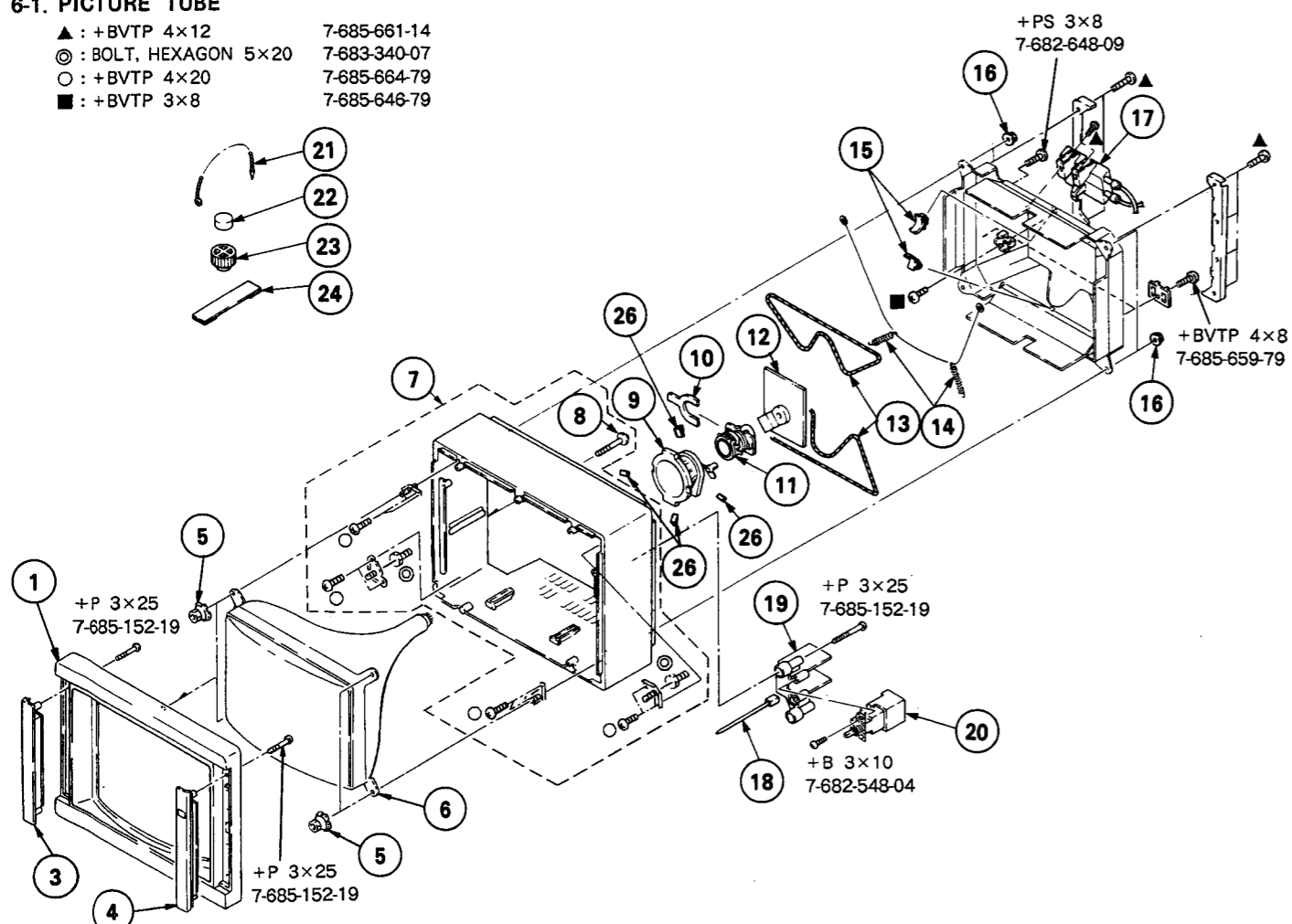
**NOTE:**

- Items with no part number and no description are not stocked because they are seldom required for routine service.
- The construction parts of an assembled part are indicated with a collation number in the remark column.
- Items marked " \* " are not stocked since they are seldom required for routine service. Some delay should be anticipated when ordering these items.

The components identified by shading and mark  $\Delta$  are critical for safety. Replace only with part number specified.

**6-1. PICTURE TUBE**

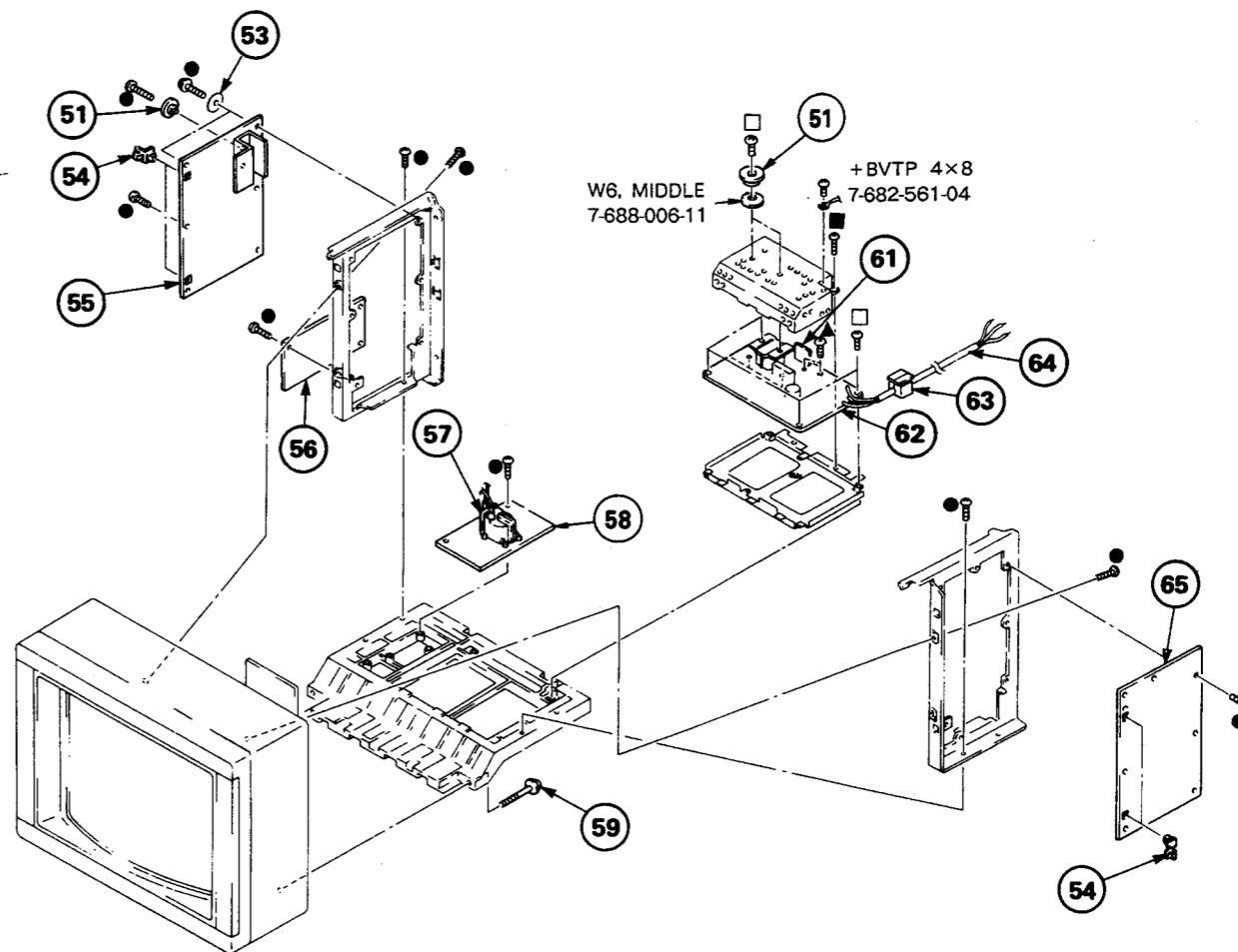
- $\Delta$ : +BVTP 4x12 7-685-661-14
- ⊙: BOLT, HEXAGON 5x20 7-683-340-07
- : +BVTP 4x20 7-685-664-79
- : +BVTP 3x8 7-685-646-79



No.	Part No.	Description	Remark	No.	Part No.	Description	Remark
1	X-4374-191-1	BEZEL ASSY	2	14	4-303-774-XX	SPRING	
2	3-703-083-00	+ BV 3x25		15	*4-371-629-01	STOPPER, WIRE	
3	1-464-792-11	KEY BOARD UNIT (A)		16	4-306-034-00	F-ANGE NUT, (B) 5MM	
4	1-464-793-11	KEY BOARD UNIT (B)		17	$\Delta$ 1-230-712-22	RESISTOR ASSY, HIGH-VOLTAGE	
5	4-376-980-01	NUT, SPECIAL, PICTURE TUBE		18	*4-371-182-01	SHAFT	
6	$\Delta$ 8-736-652-05	PICTURE TUBE (A64JKJ10X) (AEP, WG ONLY)		19	*4-371-183-01	COVER, MAIN SWITCH	
	$\Delta$ 8-736-654-05	PICTURE TUBE (A64JKJ10X) (AUS ONLY)		20	$\Delta$ 1-554-966-12	SWITCH, PUSH (AC POWER)(1 KEY)	
7	X-4374-192-1	CABINET ASSY	8	21	4-308-870-00	CLIP, LEAD WIRE	
8	4-319-520-11	SCREW, SPECIAL (+PW4X30)		22	1-452-032-00	MAGNET, DISK; 10MM $\phi$	
9	$\Delta$ 1-451-255-23	DEFLECTION YOKE (Y27FXA)		23	1-452-094-00	MAGNET, ROTATABLE DISK; 15MM $\phi$	
10	1-452-146-21	MAGNET, BMC		24	X-4308-815-0	PERMALLOY ASSY, CONVERGENCE	
11	$\Delta$ 1-452-351-22	NECK ASSY, PICTURE TUBE (NA302)		26	3-703-003-00	SPACER, DY	
12	*A-1330-789-A	C BOARD, COMPLETE					
13	$\Delta$ 1-426-278-22	COIL, DEMAGNETIZATION					

**6-2. CHASSIS**

- : +BVTP 3x12 7-685-648-79
- : +BVTP 3x8 7-685-646-79
- : +P 3x12 7-682-150-01
- $\Delta$ : +BVTP 4x12 7-685-661-14



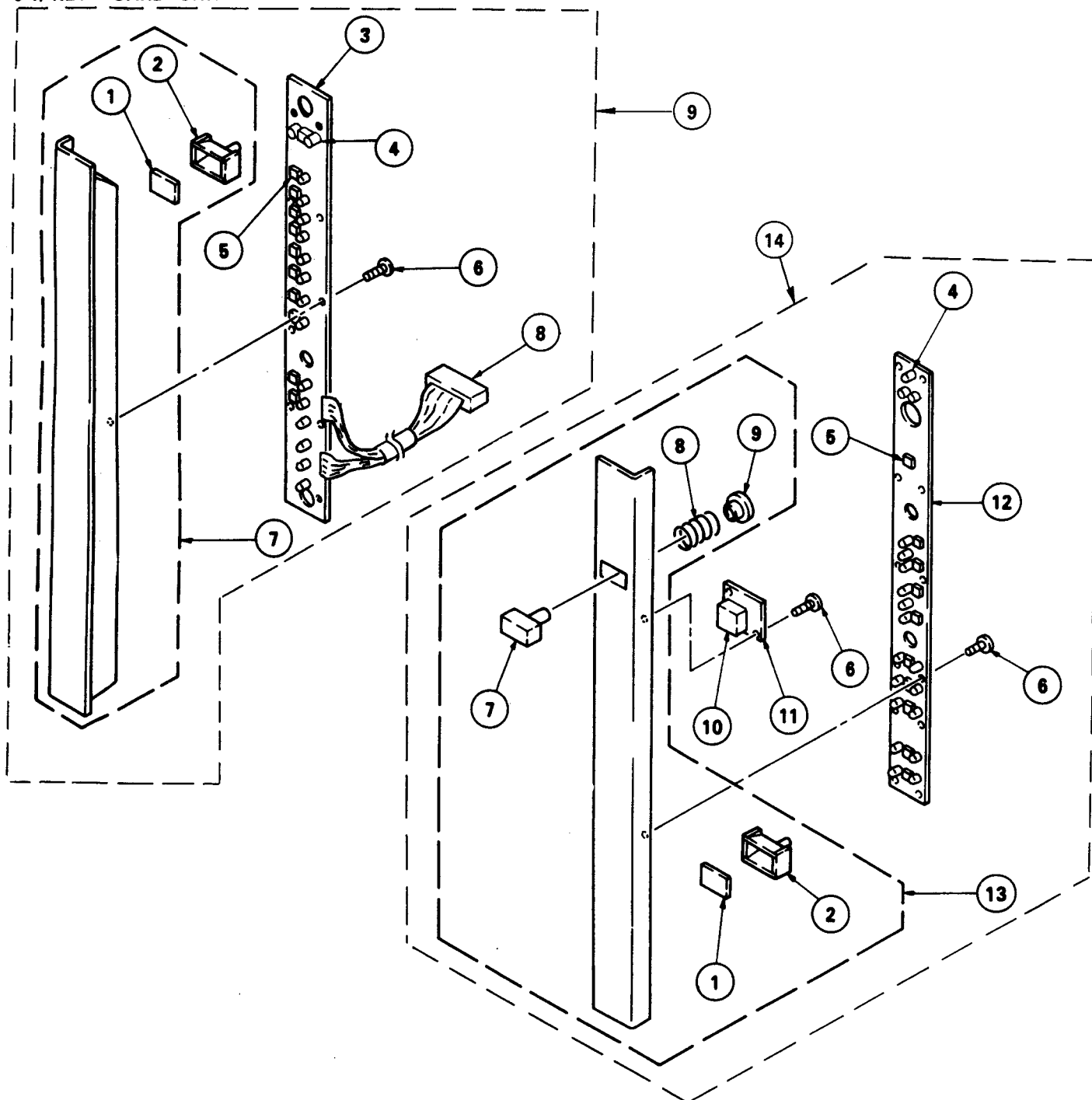
The components identified by shading and mark  $\Delta$  are critical for safety. Replace only with part number specified.

No.	Part No.	Description	Remark	No.	Part No.	Description	Remark
51	3-703-320-00	BUSHING (A), TRANSISTOR		61	*1-621-548-11	FC BOARD	
53	4-383-101-01	WASHER (DIA.14)		62	*A-1245-387-A	FA BOARD, COMPLETE (AEP, AUS ONLY)	61
54	*4-313-732-00	CLIP, HINGE, CIRCUIT BOARD			*A-1245-411-A	FA BOARD, COMPLETE (WG, ONLY)	61
55	*A-1345-699-A	D BOARD, COMPLETE		63	$\Delta$ *4-364-726-01	BUSHING, AC CORD (WG, ONLY)	
56	*A-1340-941-A	D3 BOARD, COMPLETE			$\Delta$ *4-364-745-01	BUSHING, AC CORD (AEP, AUS ONLY)	
57	$\Delta$ 1-439-339-14	TRANSFORMER ASSY, FLYBACK		64	$\Delta$ 1-559-409-12	POWER CORD (WG ONLY)	
58	*1-621-546-13	FB BOARD			$\Delta$ 1-534-820-13	POWER CORD (AEP, AUS ONLY)	
59	4-319-520-11	SCREW, SPECIAL (+PW4X30)		65	*A-1135-442-A	B BOARD, COMPLETE	



**PVM-2730QM**  
RM-668

**6-4. KEY BOARD UNIT**



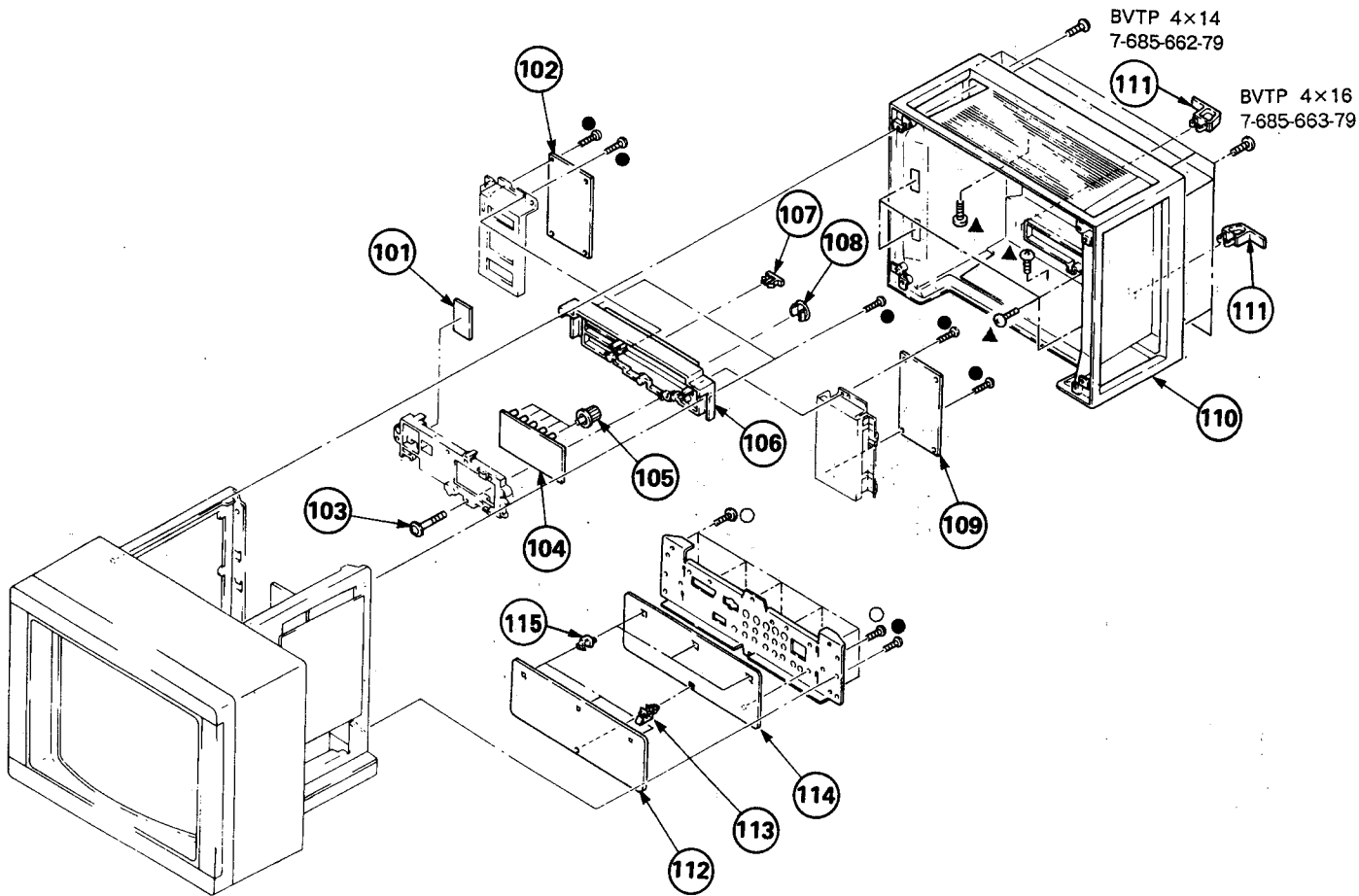
No.	Part No.	Description	Remark
1	9-990-892-01	ILLUMINATOR A	
2	9-990-891-01	REFLECTOR A	
3	*9-992-308-01	HA BOARD	
4	9-990-895-01	SPACER	
5	1-553-766-00	MT SWITCH (KEY BOARD SWITCH)	
6	9-990-894-01	TAPPING SCREW	
7	9-992-310-01	FRAME ASSY	1,2
8	9-992-309-01	HARNESS	
9	1-464-803-11	KEY BOARD UNIT(A)	1-8

No.	Part No.	Description	Remark
1	9-990-892-01	ILLUMINATOR A	
2	9-990-891-01	REFLECTOR A	
4	9-990-895-01	SPACER	
5	1-553-766-00	MT SWITCH (KEY BOARD SWITCH)	
6	9-990-894-01	TAPPING SCREW	
7	9-990-899-01	KEY TOP	
8	9-990-902-01	COIL SPRING	
9	9-990-900-01	STOPPER	
10	8-741-138-70	DETECTOR (BX1387)	
11	*9-990-898-01	N BOARD	
12	*9-992-401-01	HB BOARD	
13	9-992-402-01	FRAME ASSY	1,2,7,8,9
14	1-464-804-11	KEY BOARD UNIT(B)	1-13

**PVM-2730QM**  
RM-668

**6-3. BACK COVER**

- : +BVTP 3×12 7-685-648-79
- : +BVTP 3×10 7-685-647-79
- ▲ : +BVTP 4×12 7-685-661-14



No.	Part No.	Description	Remark	No.	Part No.	Description	Remark
101	*1-621-541-11	HD. BOARD		108	4-371-181-01	CAP	
102	*A-1340-940-A	D2 BOARD, COMPLETE		109	*A-1380-192-A	K BOARD, COMPLETE	
103	4-319-520-11	SCREW, SPECIAL (+PW4X30)		110	X-4374-448-3	COVER ASSY, REAR	111
104	*A-1375-066-A	HC BOARD, COMPLETE		111	4-316-003-21	HOLDER, CORD	
105	4-381-166-01	KNØS (A), CONTROL		112	*A-1270-282-A	QB BOARD, COMPLETE	
106	4-382-005-31	PANEL, CONTROL		113	*3-703-141-00	HOLDER, PCB	
107	4-371-176-01	CAP, SQUARE		114	*A-1270-281-A	QA BOARD, COMPLETE	
				115	4-353-620-02	HINGE PC BOARD	

# SECTION 7 ELECTRICAL PARTS LIST

**PVM-2730QM**  
RM-668

B

**NOTE:**

The components identified by shading and mark  $\Delta$  are critical for safety.  
Replace only with part number specified.

• Items marked " \* " are not stocked since they are seldom required for routine service. Some delay should be anticipated when ordering these items.

When indicating parts by reference number, please include the board name.

• All variable and adjustable resistors have characteristic curve B, unless otherwise noted.

**CAPACITORS**                      **COILS**  
• MF :  $\mu$ F, PF :  $\mu$ F              • MMH : mH, UH :  $\mu$ H

Note: In this parts list, the mounting diagram is for a different product. Therefore, an excess of parts is listed.

**RESISTORS**

• All resistors are in ohms  
• F : nonflammable

REF. NO.	PART NO.	DESCRIPTION	REMARK	REF. NO.	PART NO.	DESCRIPTION	REMARK
	*A-1135-442-A	B BOARD, COMPLETE *****					
		<CONNECTOR>					
B1	*1-566-054-11	PIN, CONNECTOR 2P		C136	1-101-006-00	CERAMIC 0.047MF	50V
B2	*1-566-057-11	PIN, CONNECTOR 5P		C137	1-126-101-11	ELECT 100MF	20% 10V
B4	*1-566-055-11	PIN, CONNECTOR 3P		C138	1-126-101-11	ELECT 100MF	20% 10V
B5	*1-566-059-11	PIN, CONNECTOR 7P		C139	1-123-356-00	ELECT 10MF	20% 16V
B6	*1-566-056-11	PIN, CONNECTOR 4P		C140	1-123-356-00	ELECT 10MF	20% 16V
B7	*1-566-058-11	PIN, CONNECTOR 6P		C141	1-123-330-00	ELECT 22MF	20% 16V
B8	*1-566-059-11	PIN, CONNECTOR 7P		C150	1-123-379-00	ELECT 0.47MF	20% 50V
B9	*1-566-061-11	PIN, CONNECTOR 9P		C161	1-123-333-00	ELECT 100MF	20% 25V
B10	*1-566-065-11	PIN, CONNECTOR 13P		C162	1-123-321-00	ELECT 220MF	20% 16V
B11	*1-566-061-11	PIN, CONNECTOR 9P		C167	1-101-004-00	CERAMIC 0.01MF	50V
B13	*1-566-054-11	PIN, CONNECTOR 2P		C168	1-123-356-00	ELECT 10MF	20% 16V
B14	*1-566-057-11	PIN, CONNECTOR 5P		C169	1-123-356-00	ELECT 10MF	20% 25V
B15	*1-508-766-00	PIN, CONNECTOR (5MM PITCH) 4P		C170	1-101-004-00	CERAMIC 0.01MF	50V
B16	*1-566-056-11	PIN, CONNECTOR 4P		C171	1-123-356-00	ELECT 10MF	20% 16V
B17	*1-566-054-11	PIN, CONNECTOR 2P		C173	1-101-004-00	CERAMIC 0.01MF	50V
B18	*1-566-055-11	PIN, CONNECTOR 3P		C174	1-101-004-00	CERAMIC 0.01MF	50V
B19	*1-566-057-11	PIN, CONNECTOR 5P		C175	1-101-006-00	CERAMIC 0.047MF	50V
B20	*1-566-058-11	PIN, CONNECTOR 6P		C177	1-119-354-00	ELECT 330MF	10V
B21	*1-566-054-11	PIN, CONNECTOR 2P		C178	1-101-004-00	CERAMIC 0.01MF	50V
		<CAPACITOR>		C179	1-101-006-00	CERAMIC 0.047MF	50V
C101	1-123-356-00	ELECT 10MF	20% 16V	C180	1-126-101-11	ELECT 100MF	20% 10V
C103	1-102-973-00	CERAMIC 100PF	5% 50V	C181	1-123-332-00	ELECT 47MF	20% 16V
C104	1-123-306-00	ELECT 47MF	20% 10V	C182	1-101-006-00	CERAMIC 0.047MF	50V
C105	1-136-161-00	FILM 0.047MF	5% 50V	C183	1-119-352-00	ELECT 100MF	10V
C106	1-102-963-00	CERAMIC 33PF	5% 50V	C185	1-126-101-11	ELECT 100MF	20% 10V
C107	1-102-963-00	CERAMIC 33PF	5% 50V	C186	1-123-356-00	ELECT 10MF	20% 16V
C108	1-102-978-00	CERAMIC 220PF	5% 50V	C187	1-123-330-00	ELECT 22MF	20% 16V
C110	1-123-333-00	ELECT 100MF	20% 25V	C301	1-123-333-00	ELECT 100MF	20% 16V
C112	1-123-335-00	ELECT 330MF	20% 25V	C302	1-101-888-00	CERAMIC 68PF	5% 50V
C113	1-124-963-11	ELECT 33MF	20% 16V	C303	1-123-369-00	ELECT 4.7MF	20% 25V
C114	1-123-333-00	ELECT 100MF	20% 25V	C304	1-123-356-00	ELECT 10MF	20% 16V
C115	1-123-333-00	ELECT 100MF	20% 16V	C305	1-130-477-00	MYLAR 0.0033MF	5% 50V
C116	1-101-006-00	CERAMIC 0.047MF	50V	C306	1-101-006-00	CERAMIC 0.047MF	50V
C118	1-101-004-00	CERAMIC 0.01MF	50V	C307	1-101-006-00	CERAMIC 0.047MF	50V
C119	1-123-330-00	ELECT 22MF	20% 16V	C308	1-123-381-00	ELECT 2.2MF	20% 50V
C120	1-123-330-00	ELECT 22MF	20% 25V	C309	1-102-946-00	CERAMIC 9PF	0.5PF 50V
C123	1-101-006-00	CERAMIC 0.047MF	50V	C310	1-123-356-00	ELECT 10MF	20% 16V
C125	1-123-380-00	ELECT 1MF	20% 50V	C311	1-136-157-00	FILM 0.022MF	5% 50V
C126	1-123-380-00	ELECT 1MF	20% 50V	C312	1-136-157-00	FILM 0.022MF	5% 50V
C127	1-123-380-00	ELECT 1MF	20% 50V	C313	1-102-074-00	CERAMIC 0.001MF	10% 50V
C128	1-123-380-00	ELECT 1MF	20% 50V	C314	1-101-006-00	CERAMIC 0.047MF	50V
C131	1-130-475-00	MYLAR 0.0022MF	5% 50V	C315	1-101-006-00	CERAMIC 0.047MF	50V
C133	1-123-380-00	ELECT 1MF	20% 50V	C316	1-136-169-00	FILM 0.22MF	5% 50V
C134	1-123-380-00	ELECT 1MF	20% 50V	C317	1-102-074-00	CERAMIC 0.001MF	10% 50V
C135	1-123-381-00	ELECT 2.2MF	20% 50V	C322	1-101-006-00	CERAMIC 0.047MF	50V
				C323	1-124-464-11	ELECT 0.22MF	20% 50V
				C324	1-124-464-11	ELECT 0.22MF	20% 50V
				C325	1-123-333-00	ELECT 100MF	20% 16V
				C326	1-124-464-11	ELECT 0.22MF	20% 50V
				C327	1-102-111-00	CERAMIC 270PF	10% 50V



**PVM-2730QM**  
 RM-668

**B**

REF. NO.	PART NO.	DESCRIPTION	REMARK	REF. NO.	PART NO.	DESCRIPTION	REMARK
C330	1-101-006-00	CERAMIC	0.047MF	50V	C1305	1-136-161-00	FILM 0.047MF 5% 50V
C331	1-123-380-00	ELECT	1MF	20% 50V	C1306	1-123-380-00	ELECT 1MF 20% 50V
C332	1-136-161-00	FILM	0.047MF	5% 50V	C1316	1-123-356-00	ELECT 10MF 20% 25V
C333	1-102-959-00	CERAMIC	22PF	5% 50V	C1317	1-123-380-00	ELECT 1MF 20% 50V
C334	1-123-380-00	ELECT	1MF	20% 50V	C1318	1-123-380-00	ELECT 1MF 20% 50V
C335	1-126-101-11	ELECT	100MF	20% 10V	C1319	1-123-380-00	ELECT 1MF 20% 50V
C336	1-124-963-11	ELECT	33MF	20% 16V	C1320	1-123-382-00	ELECT 3.3MF 20% 50V
C337	1-102-112-00	CERAMIC	330PF	10% 50V	C1321	1-123-356-00	ELECT 10MF 20% 25V
C341	1-123-380-00	ELECT	1MF	20% 50V	C1322	1-101-004-00	CERAMIC 0.01MF 50V
C346	1-123-380-00	ELECT	1MF	20% 50V	C1323	1-123-356-00	ELECT 10MF 20% 25V
C347	1-102-111-00	CERAMIC	270PF	10% 50V	C1324	1-123-332-00	ELECT 47MF 20% 16V
C350	1-123-356-00	ELECT	10MF	20% 16V	C1325	1-101-006-00	CERAMIC 0.047MF 50V
C351	1-102-074-00	CERAMIC	0.001MF	10% 50V	C1326	1-101-006-00	CERAMIC 0.047MF 50V
C352	1-101-361-00	CERAMIC	150PF	5% 50V	C1329	1-123-382-00	ELECT 3.3MF 20% 50V
C353	1-102-959-00	CERAMIC	22PF	5% 50V	C1333	1-136-153-00	FILM 0.01MF 5% 50V
C354	1-123-380-00	ELECT	1MF	20% 50V	C1334	1-101-004-00	CERAMIC 0.01MF 50V
C355	1-101-005-00	CERAMIC	0.022MF	50V	C1336	1-130-479-00	MYLAR 0.0047MF 5% 50V
C360	1-136-153-00	FILM	0.01MF	5% 50V	C1338	1-136-161-00	FILM 0.047MF 5% 50V
C381	1-102-074-00	CERAMIC	0.001MF	10% 50V	C1339	1-136-153-00	FILM 0.01MF 5% 50V
C382	1-123-332-00	ELECT	47MF	20% 16V	C1341	1-130-479-00	MYLAR 0.0047MF 5% 50V
C402	1-136-167-00	FILM	0.15MF	5% 50V	C1343	1-136-161-00	FILM 0.047MF 5% 50V
C404	1-136-165-00	FILM	0.1MF	5% 50V	C1344	1-136-153-00	FILM 0.01MF 5% 50V
C405	1-102-961-00	CERAMIC	27PF	5% 50V	C1346	1-130-479-00	MYLAR 0.0047MF 5% 25V
C406	1-101-890-00	CERAMIC	75PF	5% 50V	C1351	1-123-356-00	ELECT 10MF 20% 25V
C408	1-123-356-00	ELECT	10MF	20% 16V	C1352	1-123-332-00	ELECT 47MF 20% 16V
C410	1-123-356-00	ELECT	10MF	20% 50V	C1353	1-102-973-00	CERAMIC 100PF 5% 50V
C411	1-136-161-00	FILM	0.047MF	5% 50V	C1354	1-136-157-00	FILM 0.022MF 5% 50V
C412	1-102-119-00	CERAMIC	0.0015MF	10% 50V	C1355	1-123-379-00	ELECT 0.47MF 20% 50V
C413	1-123-380-00	ELECT	1MF	20% 50V	C1356	1-136-165-00	FILM 0.1MF 5% 50V
C414	1-136-173-00	FILM	0.47MF	5% 50V	C1357	1-123-380-00	ELECT 1MF 20% 50V
C415	1-101-005-00	CERAMIC	0.022MF	50V	C1358	1-123-369-00	ELECT 4.7MF 20% 50V
C416	1-123-356-00	ELECT	10MF	20% 16V	C1359	1-102-820-00	CERAMIC 330PF 5% 50V
C417	1-123-356-00	ELECT	10MF	20% 16V	C1360	1-102-820-00	CERAMIC 330PF 5% 50V
C418	1-108-634-11	MYLAR	0.047MF	10% 100V	C1361	1-102-129-00	CERAMIC 0.01MF 10% 50V
C419	1-123-380-00	ELECT	1MF	20% 50V	C1362	1-130-475-00	MYLAR 0.0022MF 5% 50V
C420	1-101-890-00	CERAMIC	75PF	5% 50V	C1390	1-101-004-00	CERAMIC 0.01MF 50V
C421	1-102-961-00	CERAMIC	27PF	5% 50V	C1391	1-123-356-00	ELECT 10MF 20% 16V
C423	1-136-165-00	FILM	0.1MF	5% 50V	C1392	1-123-356-00	ELECT 10MF 20% 16V
C424	1-123-356-00	ELECT	10MF	20% 16V	C1393	1-101-004-00	CERAMIC 0.01MF 50V
C425	1-101-361-00	CERAMIC	150PF	5% 50V			
C426	1-136-153-00	FILM	0.01MF	5% 50V			<COMPOSITION CIRCUIT BLOCK>
C427	1-101-006-00	CERAMIC	0.047MF	50V	CP105	1-232-096-00	COMPOSITION CIRCUIT BLOCK
C428	1-102-121-00	CERAMIC	0.0022MF	10% 50V			<TRIMMER>
C429	1-136-161-00	FILM	0.047MF	5% 50V	CT358	1-141-181-11	CAP, TRIMMER
C430	1-102-816-00	CERAMIC	120PF	5% 50V	CT443	1-141-181-11	CAP, TRIMMER
C434	1-102-112-00	CERAMIC	330PF	10% 50V			<DIODE>
C452	1-136-169-00	FILM	0.22MF	5% 50V	D101	8-719-109-97	DIODE RD6.8ES-B2
C453	1-123-333-00	ELECT	100MF	20% 16V	D102	8-719-109-97	DIODE RD6.8ES-B2
C454	1-102-963-00	CERAMIC	33PF	5% 50V	D103	8-719-911-19	DIODE 1SS119
C466	1-102-115-00	CERAMIC	560PF	10% 50V	D104	8-719-109-68	DIODE RD3.6ES-B1
C470	1-123-333-00	ELECT	100MF	20% 16V	D108	8-719-911-19	DIODE 1SS119
C472	1-123-381-00	ELECT	2.2MF	20% 50V	D110	8-719-911-19	DIODE 1SS119
C473	1-102-978-00	CERAMIC	220PF	5% 50V	D111	8-719-110-08	DIODE RD8.2ES-B2
C474	1-102-944-00	CERAMIC	7PF	0.5PF 50V	D112	8-719-911-19	DIODE 1SS119
C475	1-102-944-00	CERAMIC	7PF	0.5PF 50V	D113	8-719-911-19	DIODE 1SS119
C476	1-102-944-00	CERAMIC	7PF	0.5PF 50V	D114	8-719-911-19	DIODE 1SS119
C477	1-102-944-00	CERAMIC	7PF	0.5PF 50V	D115	8-719-109-84	DIODE RD5.1ES-B1
C481	1-108-614-11	MYLAR	0.001MF	10% 100V	D116	8-719-109-90	DIODE RD5.6ES-B3
C482	1-102-820-00	CERAMIC	330PF	5% 50V			
C484	1-136-165-00	FILM	0.1MF	5% 50V			
C486	1-102-980-00	CERAMIC	270PF	5% 50V			
C1301	1-101-004-00	CERAMIC	0.01MF	50V			
C1302	1-124-767-00	ELECT	2.2MF	20% 50V			
C1304	1-123-356-00	ELECT	10MF	20% 16V			

**PVM-2730QM**  
 RM-668

**B**

REF. NO.	PART NO.	DESCRIPTION	REMARK	REF. NO.	PART NO.	DESCRIPTION	REMARK
Q355	8-729-119-78	TRANSISTOR 2SC2785-HFE		R130	1-247-706-11	CARBON 330 5%	1/4W
Q357	8-729-119-76	TRANSISTOR 2SA1175-HFE		R131	1-249-409-11	CARBON 220 5%	1/4W
Q358	8-729-900-36	TRANSISTOR DTC124ES		R132	1-249-409-11	CARBON 220 5%	1/4W
Q361	8-729-119-76	TRANSISTOR 2SA1175-HFE		R133	1-249-421-11	CARBON 2.2K 5%	1/4W
Q362	8-729-119-76	TRANSISTOR 2SA1175-HFE		R134	1-249-421-11	CARBON 2.2K 5%	1/4W
Q363	8-729-119-76	TRANSISTOR 2SA1175-HFE		R135	1-249-437-11	CARBON 47K 5%	1/4W
Q371	8-729-119-78	TRANSISTOR 2SC2785-HFE		R136	1-249-417-11	CARBON 1K 5%	1/4W
Q372	8-729-119-78	TRANSISTOR 2SC2785-HFE		R137	1-249-421-11	CARBON 2.2K 5%	1/4W
Q373	8-729-119-78	TRANSISTOR 2SC2785-HFE		R138	1-249-421-11	CARBON 2.2K 5%	1/4W
Q374	8-729-119-78	TRANSISTOR 2SC2785-HFE		R139	1-249-421-11	CARBON 2.2K 5%	1/4W
Q390	8-729-178-55	TRANSISTOR 2SC2785-E		R140	1-249-421-11	CARBON 2.2K 5%	1/4W
Q391	8-729-178-55	TRANSISTOR 2SC2785-E		R141	1-247-717-11	CARBON 2.2K 5%	1/4W
Q392	8-729-178-55	TRANSISTOR 2SC2785-E		R142	1-249-421-11	CARBON 2.2K 5%	1/4W
Q393	8-729-119-76	TRANSISTOR 2SA1175-HFE		R143	1-249-429-11	CARBON 10K 5%	1/4W
Q400	8-729-178-55	TRANSISTOR 2SC2785-E		R144	1-249-429-11	CARBON 10K 5%	1/4W
Q401	8-729-178-55	TRANSISTOR 2SC2785-E		R145	1-249-437-11	CARBON 47K 5%	1/4W
Q402	8-729-178-55	TRANSISTOR 2SC2785-E		R146	1-249-425-11	CARBON 4.7K 5%	1/4W
Q403	8-729-119-76	TRANSISTOR 2SA1175-HFE		R147	1-249-441-11	CARBON 100K 5%	1/4W
Q405	8-729-178-55	TRANSISTOR 2SC2785-E		R148	1-249-434-11	CARBON 27K 5%	1/4W
Q406	8-729-119-76	TRANSISTOR 2SA1175-HFE		R149	1-249-427-11	CARBON 6.8K 5%	1/4W
Q407	8-729-178-55	TRANSISTOR 2SC2785-E		R150	1-249-427-11	CARBON 6.8K 5%	1/4W
Q450	8-729-119-76	TRANSISTOR 2SA1175-HFE		R151	1-249-423-11	CARBON 3.3K 5%	1/4W
Q451	8-729-178-55	TRANSISTOR 2SC2785-E		R152	1-249-421-11	CARBON 2.2K 5%	1/4W
Q452	8-729-178-55	TRANSISTOR 2SC2785-E		R153	1-249-421-11	CARBON 2.2K 5%	1/4W
Q453	8-729-119-76	TRANSISTOR 2SA1175-HFE		R154	1-249-421-11	CARBON 2.2K 5%	1/4W
Q454	8-729-119-76	TRANSISTOR 2SA1175-HFE		R155	1-247-717-11	CARBON 2.2K 5%	1/4W
Q455	8-729-178-55	TRANSISTOR 2SC2785-E		R156	1-249-423-11	CARBON 3.3K 5%	1/4W
Q456	8-729-119-76	TRANSISTOR 2SA1175-HFE		R157	1-249-433-11	CARBON 22K 5%	1/4W
Q457	8-729-178-55	TRANSISTOR 2SC2785-E		R158	1-249-417-11	CARBON 1K 5%	1/4W
Q458	8-729-119-76	TRANSISTOR 2SA1175-HFE		R159	1-249-418-11	CARBON 1.2K 5%	1/4W
Q459	8-729-119-76	TRANSISTOR 2SA1175-HFE		R160	1-249-397-11	CARBON 22 5%	1/4W
Q460	8-729-178-55	TRANSISTOR 2SC2785-E		R161	1-249-397-11	CARBON 22 5%	1/4W
Q461	8-729-178-55	TRANSISTOR 2SC2785-E		R162	1-249-397-11	CARBON 22 5%	1/4W
Q1301	8-729-178-55	TRANSISTOR 2SC2785-E		R163	1-249-397-11	CARBON 22 5%	1/4W
Q1302	8-729-178-55	TRANSISTOR 2SC2785-E		R164	1-249-397-11	CARBON 22 5%	1/4W
Q1303	8-729-119-76	TRANSISTOR 2SA1175-HFE		R165	1-247-692-11	CARBON 22 5%	1/4W
				R166	1-249-397-11	CARBON 22 5%	1/4W
				R167	1-249-397-11	CARBON 22 5%	1/4W
				R168	1-249-397-11	CARBON 22 5%	1/4W
				R169	1-249-397-11	CARBON 22 5%	1/4W
				R170	1-249-397-11	CARBON 22 5%	1/4W
				R171	1-249-397-11	CARBON 22 5%	1/4W
				R172	1-249-397-11	CARBON 22 5%	1/4W
				R173	1-249-397-11	CARBON 22 5%	1/4W
				R174	1-249-429-11	CARBON 10K 5%	1/4W
				R175	1-249-429-11	CARBON 10K 5%	1/4W
				R176	1-247-725-11	CARBON 10K 5%	1/4W
				R177	1-249-433-11	CARBON 22K 5%	1/4W
				R178	1-249-433-11	CARBON 22K 5%	1/4W
				R179	1-249-425-11	CARBON 4.7K 5%	1/4W
				R181	1-249-435-11	CARBON 33K 5%	1/4W
				R182	1-249-426-11	CARBON 5.6K 5%	1/4W
				R183	1-249-433-11	CARBON 22K 5%	1/4W
				R184	1-249-435-11	CARBON 33K 5%	1/4W
				R185	1-247-713-11	CARBON 1K 5%	1/4W
				R186	1-249-417-11	CARBON 1K 5%	1/4W
				R187	1-249-417-11	CARBON 1K 5%	1/4W
				R188	1-249-417-11	CARBON 1K 5%	1/4W
				R189	1-249-417-11	CARBON 1K 5%	1/4W
				R190	1-249-417-11	CARBON 1K 5%	1/4W
				R191	1-249-414-11	CARBON 560 5%	1/4W
				R192	1-249-417-11	CARBON 1K 5%	1/4W
				R193	1-249-423-11	CARBON 3.3K 5%	1/4W
R101	1-249-395-11	CARBON	15 5%	1/4W			
R102	1-249-395-11	CARBON	15 5%	1/4W			
R103	1-249-441-11	CARBON	100K 5%	1/4W			
R104	1-249-441-11	CARBON	100K 5%	1/4W			
R105	1-249-404-00	CARBON	82 5%	1/4W			
R106	1-249-413-11	CARBON	470 5%	1/4W			
R107	1-249-411-11	CARBON	330 5%	1/4W			
R108	1-249-441-11	CARBON	100K 5%	1/4W			
R109	1-249-433-11	CARBON	22K 5%	1/4W			
R110	1-249-465-11	CARBON	47K 5%	1/4W			
R111	1-249-437-11	CARBON	47K 5%	1/4W			
R114	1-249-437-11	CARBON	47K 5%	1/4W			
R116	1-249-414-11	CARBON	560 5%	1/4W			
R117	1-249-429-11	CARBON	10K 5%	1/4W			
R118	1-249-429-11	CARBON	10K 5%	1/4W			
R119	1-249-429-11	CARBON	10K 5%	1/4W			
R121	1-215-867-00	METAL OXIDE	470 5%	1W	F		
R122	1-249-417-11	CARBON	1K 5%	1/4W			
R123	1-216-357-00	METAL OXIDE	4.7 5%	1W	F		
R124	1-249-433-11	CARBON	22K 5%	1/4W			
R125	1-249-435-11	CARBON	33K 5%	1/4W			
R126	1-249-431-11	CARBON	15K 5%	1/4W			
R127	1-249-417-11	CARBON	1K 5%	1/4W			
R128	1-249-434-11	CARBON	27K 5%	1/4W			
R129	1-247-717-11	CARBON	2.2K 5%	1/4W			

PVM-2730QM  
RM-668

B

REF. NO.	PART NO.	DESCRIPTION	REMARK	REF. NO.	PART NO.	DESCRIPTION	REMARK
D117	8-719-911-19	DIODE 1SS119					
D118	8-719-911-19	DIODE 1SS119					
D120	8-719-911-19	DIODE 1SS119					
D121	8-719-911-19	DIODE 1SS119					
D123	8-719-911-19	DIODE 1SS119					
D124	8-719-911-19	DIODE 1SS119					
D125	8-719-911-19	DIODE 1SS119					
D126	8-719-109-96	DIODE RD6.8ES-B1					
D127	8-719-109-96	DIODE RD6.8ES-B1					
D305	8-719-911-19	DIODE 1SS119					
D306	8-719-911-19	DIODE 1SS119					
D307	8-719-911-19	DIODE 1SS119					
D308	8-719-911-19	DIODE 1SS119					
D309	8-719-911-19	DIODE 1SS119					
D334	8-719-110-17	DIODE RD10ES-B2					
D335	8-719-911-19	DIODE 1SS119					
D339	8-719-911-19	DIODE 1SS119					
D340	8-719-911-19	DIODE 1SS119					
D341	8-719-911-19	DIODE 1SS119					
D342	8-719-110-17	DIODE RD10ES-B2					
D343	8-719-110-17	DIODE RD10ES-B2					
D344	8-719-110-17	DIODE RD10ES-B2					
D345	8-719-911-19	DIODE 1SS119					
D351	8-719-911-19	DIODE 1SS119					
D354	8-719-911-19	DIODE 1SS119					
D361	8-719-911-19	DIODE 1SS119					
D362	8-719-911-19	DIODE 1SS119					
D391	8-719-911-19	DIODE 1SS119					
D392	8-719-911-19	DIODE 1SS119					
D401	8-719-911-19	DIODE 1SS119					
D442	8-719-911-19	DIODE 1SS119					
D443	8-719-911-19	DIODE 1SS119					
D444	8-719-911-19	DIODE 1SS119					
D445	8-719-911-19	DIODE 1SS119					
D450	8-719-911-19	DIODE 1SS119					
D454	8-719-911-19	DIODE 1SS119					
D457	8-719-911-19	DIODE 1SS119					
<DELAY LINE>							
DL301	1-415-122-31	DELAY LINE, 1H (PAL)					
DL401	1-415-380-11	DELAY LINE, Y					
<IC>							
IC101	8-759-140-16	IC UPD7508HCU-258					
IC102	8-752-321-18	IC CXK1005P					
IC103	8-759-102-28	IC UPD6326C					
IC104	8-759-182-43	IC UPD8243C(M)					
IC106	8-759-207-07	IC TD62381P					
IC107	8-759-207-07	IC TD62381P					
IC110	8-759-140-66	IC UPD4066BC					
IC121	8-759-604-29	IC M5F7805					
IC122	*4-363-146-00	HEAT SINK, V.OUT; IC121					
IC122	8-759-982-13	IC RC7812FA					
IC301	*4-323-833-00	HEAT SINK, PIN OUT; IC122					
IC301	8-752-030-86	IC CXA1001AP					
IC302	8-752-030-31	IC CXA1024S					
IC311	8-759-240-73	IC TC4073BP					
IC401	8-751-750-00	IC CX-175					
IC411	8-759-135-80	IC UPC358C					
IC412	8-759-140-66	IC UPD4066BC					
						<COIL>	
L101	1-408-424-00	INDUCTOR 180UH					
L104	1-408-424-00	INDUCTOR 180UH					
L105	1-408-424-00	INDUCTOR 180UH					
L161	1-408-159-00	COIL, SPOOK CHOKE 3.3UH					
L333	1-408-416-00	INDUCTOR 39UH					
L337	1-408-160-00	INDUCTOR 15MMH					
L405	1-404-496-00	COIL					
L406	1-408-411-00	INDUCTOR 15UH					
L420	1-408-411-00	INDUCTOR 15UH					
L421	1-404-496-00	COIL					
L430	1-408-245-00	INDUCTOR 22MMH					
L431	1-408-414-00	INDUCTOR 27UH					
L432	1-410-476-11	INDUCTOR 33UH					
L435	1-408-406-00	INDUCTOR 5.6UH					
L451	1-404-495-00	COIL					
L452	1-404-495-00	COIL					
L455	1-408-163-00	INDUCTOR 5.6MMH					
						<IC LINK>	
PS1	1-532-605-00	LINK, IC (ICP-N10)					
PS2	1-532-637-00	LINK, IC					
						<TRANSISTOR>	
Q101	8-729-119-76	TRANSISTOR 2SA1175-HFE					
Q102	8-729-119-76	TRANSISTOR 2SA1175-HFE					
Q103	8-729-119-78	TRANSISTOR 2SC2785-HFE					
Q104	8-729-119-78	TRANSISTOR 2SC2785-HFE					
Q105	8-729-119-78	TRANSISTOR 2SC2785-HFE					
Q107	8-729-900-36	TRANSISTOR DTC124ES					
Q108	8-729-119-78	TRANSISTOR 2SC2785-HFE					
Q109	8-729-119-76	TRANSISTOR 2SA1175-HFE					
Q110	8-729-119-76	TRANSISTOR 2SA1175-HFE					
Q111	8-729-140-97	TRANSISTOR 2SB734-34					
Q112	8-729-119-78	TRANSISTOR 2SC2785-HFE					
Q113	8-729-119-78	TRANSISTOR 2SC2785-HFE					
Q114	8-729-119-78	TRANSISTOR 2SC2785-HFE					
Q115	8-729-900-36	TRANSISTOR DTC124ES					
Q116	8-729-119-76	TRANSISTOR 2SA1175-HFE					
Q117	8-729-119-78	TRANSISTOR 2SC2785-HFE					
Q118	8-729-119-76	TRANSISTOR 2SA1175-HFE					
Q119	8-729-119-76	TRANSISTOR 2SA1175-HFE					
Q121	8-729-133-42	TRANSISTOR 2SC2334-L					
	*4-363-146-00	HEAT SINK, V.OUT; Q121					
Q122	8-729-119-76	TRANSISTOR 2SA1175-HFE					
Q123	8-729-119-78	TRANSISTOR 2SC2785-HFE					
Q301	8-729-119-76	TRANSISTOR 2SA1175-HFE					
Q309	8-729-119-78	TRANSISTOR 2SC2785-HFE					
Q310	8-729-119-76	TRANSISTOR 2SA1175-HFE					
Q311	8-729-378-84	TRANSISTOR 2SD788-5					
Q315	8-729-119-78	TRANSISTOR 2SC2785-HFE					
Q316	8-729-119-78	TRANSISTOR 2SC2785-HFE					
Q321	8-729-119-78	TRANSISTOR 2SC2785-HFE					
Q322	8-729-119-78	TRANSISTOR 2SC2785-HFE					
Q324	8-729-119-78	TRANSISTOR 2SC2785-HFE					
Q331	8-729-119-78	TRANSISTOR 2SC2785-HFE					
Q341	8-729-119-78	TRANSISTOR 2SC2785-HFE					
Q342	8-729-119-78	TRANSISTOR 2SC2785-HFE					
Q343	8-729-119-78	TRANSISTOR 2SC2785-HFE					
Q353	8-729-119-78	TRANSISTOR 2SC2785-HFE					
Q354	8-729-900-36	TRANSISTOR DTC124ES					



**PVM-2730QM**  
**RM-668**
**B**

REF. NO.	PART NO.	DESCRIPTION	REMARK	REF. NO.	PART NO.	DESCRIPTION	REMARK
R445	1-249-431-11	CARBON	15K 5% 1/4W	R1313	1-247-725-11	CARBON	10K 5% 1/4W
R446	1-249-417-11	CARBON	1K 5% 1/4W	R1314	1-249-429-11	CARBON	10K 5% 1/4W
R447	1-249-414-11	CARBON	560 5% 1/4W	R1315	1-249-435-11	CARBON	33K 5% 1/4W
R448	1-249-393-11	CARBON	10 5% 1/4W	R1316	1-249-435-11	CARBON	33K 5% 1/4W
R449	1-249-418-11	CARBON	1.2K 5% 1/4W	R1317	1-249-417-11	CARBON	1K 5% 1/4W
R450	1-249-419-11	CARBON	1.5K 5% 1/4W	R1318	1-249-417-11	CARBON	1K 5% 1/4W
R451	1-249-420-11	CARBON	1.8K 5% 1/4W	R1319	1-249-417-11	CARBON	1K 5% 1/4W
R452	1-249-393-11	CARBON	10 5% 1/4W	R1320	1-249-409-11	CARBON	220 5% 1/4W
R453	1-249-419-11	CARBON	1.5K 5% 1/4W	R1322	1-249-433-11	CARBON	22K 5% 1/4W
R454	1-249-419-11	CARBON	1.5K 5% 1/4W	R1323	1-249-429-11	CARBON	10K 5% 1/4W
R456	1-249-409-11	CARBON	220 5% 1/4W	R1324	1-249-435-11	CARBON	33K 5% 1/4W
R457	1-249-435-11	CARBON	33K 5% 1/4W	R1325	1-249-409-11	CARBON	220 5% 1/4W
R458	1-249-425-11	CARBON	4.7K 5% 1/4W	R1326	1-249-409-11	CARBON	220 5% 1/4W
R460	1-249-436-11	CARBON	39K 5% 1/4W	R1327	1-247-903-00	CARBON	1K 5% 1/4W
R461	1-249-431-11	CARBON	15K 5% 1/4W	R1328	1-249-417-11	CARBON	1K 5% 1/4W
R462	1-249-421-11	CARBON	2.2K 5% 1/4W	R1329	1-247-895-00	CARBON	470K 5% 1/4W
R463	1-249-422-11	CARBON	2.7K 5% 1/4W	R1330	1-249-417-11	CARBON	1K 5% 1/4W
R464	1-249-409-11	CARBON	220 5% 1/4W	R1331	1-249-426-11	CARBON	5.6K 5% 1/4W
R465	1-249-435-11	CARBON	33K 5% 1/4W	R1332	1-249-437-11	CARBON	47K 5% 1/4W
R466	1-247-721-11	CARBON	4.7K 5% 1/4W	R1333	1-249-418-11	CARBON	1.2K 5% 1/4W
R467	1-247-866-11	CARBON	30K 5% 1/4W	R1334	1-249-429-11	CARBON	10K 5% 1/4W
R468	1-249-429-11	CARBON	10K 5% 1/4W	R1335	1-249-409-11	CARBON	220 5% 1/4W
R470	1-249-420-11	CARBON	1.8K 5% 1/4W	R1337	1-249-405-11	CARBON	100 5% 1/4W
R471	1-249-425-11	CARBON	4.7K 5% 1/4W	R1339	1-249-414-11	CARBON	560 5% 1/4W
R472	1-249-420-11	CARBON	1.8K 5% 1/4W	R1340	1-249-409-11	CARBON	220 5% 1/4W
R473	1-249-425-11	CARBON	4.7K 5% 1/4W	R1341	1-249-437-11	CARBON	47K 5% 1/4W
R474	1-249-417-11	CARBON	1K 5% 1/4W	R1342	1-249-405-11	CARBON	100 5% 1/4W
R475	1-249-405-11	CARBON	100 5% 1/4W	R1344	1-247-834-11	CARBON	1.3K 5% 1/4W
R476	1-249-416-11	CARBON	820 5% 1/4W	R1345	1-249-409-11	CARBON	220 5% 1/4W
R477	1-249-413-11	CARBON	470 5% 1/4W	R1347	1-249-405-11	CARBON	100 5% 1/4W
R478	1-249-421-11	CARBON	2.2K 5% 1/4W	R1360	1-249-414-11	CARBON	560 5% 1/4W
R479	1-249-421-11	CARBON	2.2K 5% 1/4W	R1362	1-249-414-11	CARBON	560 5% 1/4W
R480	1-249-429-11	CARBON	10K 5% 1/4W	R1363	1-247-901-11	CARBON	820K 5% 1/4W
R481	1-249-429-11	CARBON	10K 5% 1/4W	R1364	1-249-424-11	CARBON	3.9K 5% 1/4W
R482	1-249-421-11	CARBON	2.2K 5% 1/4W	R1365	1-249-437-11	CARBON	47K 5% 1/4W
R483	1-249-421-11	CARBON	2.2K 5% 1/4W	R1366	1-249-422-11	CARBON	2.7K 5% 1/4W
R484	1-249-433-11	CARBON	22K 5% 1/4W	R1367	1-202-730-00	SOLID	8.2M 10% 1/2W
R485	1-249-417-11	CARBON	1K 5% 1/4W	R1368	1-249-411-11	CARBON	330 5% 1/4W
R486	1-249-435-11	CARBON	33K 5% 1/4W	R1369	1-249-413-11	CARBON	470 5% 1/4W
R487	1-249-435-11	CARBON	33K 5% 1/4W	R1370	1-249-409-11	CARBON	220 5% 1/4W
R488	1-249-435-11	CARBON	33K 5% 1/4W	R1371	1-249-413-11	CARBON	470 5% 1/4W
R1100	1-249-405-11	CARBON	100 5% 1/4W	R1375	1-249-425-11	CARBON	4.7K 5% 1/4W
R1101	1-249-437-11	CARBON	47K 5% 1/4W	R1376	1-247-889-00	CARBON	270K 5% 1/4W
R1102	1-249-429-11	CARBON	10K 5% 1/4W	R1377	1-249-434-11	CARBON	27K 5% 1/4W
R1105	1-249-431-11	CARBON	15K 5% 1/4W	R1378	1-249-410-11	CARBON	270 5% 1/4W
R1106	1-249-399-11	CARBON	33 5% 1/4W	R1379	1-249-405-11	CARBON	100 5% 1/4W
R1107	1-249-437-11	CARBON	47K 5% 1/4W	R1381	1-249-434-11	CARBON	27K 5% 1/4W
R1108	1-249-405-11	CARBON	100 5% 1/4W	R1382	1-249-424-11	CARBON	3.9K 5% 1/4W
R1109	1-249-429-11	CARBON	10K 5% 1/4W	R1383	1-249-419-11	CARBON	1.5K 5% 1/4W
R1110	1-249-421-11	CARBON	2.2K 5% 1/4W	R1384	1-249-411-11	CARBON	330 5% 1/4W
R1111	1-249-437-11	CARBON	47K 5% 1/4W	R1385	1-249-393-11	CARBON	10 5% 1/4W
R1112	1-249-441-11	CARBON	100K 5% 1/4W	R1386	1-249-421-11	CARBON	2.2K 5% 1/4W
R1113	1-249-409-11	CARBON	220 5% 1/4W	R1388	1-249-425-11	CARBON	4.7K 5% 1/4W
R1115	1-249-393-11	CARBON	10 5% 1/4W	R1389	1-249-429-11	CARBON	10K 5% 1/4W
R1115	1-249-425-11	CARBON	4.7K 5% 1/4W	R1390	1-249-421-11	CARBON	2.2K 5% 1/4W
R1304	1-247-704-11	CARBON	220 5% 1/4W	R1401	1-249-433-11	CARBON	22K 5% 1/4W
R1305	1-247-704-11	CARBON	220 5% 1/4W	R1402	1-249-433-11	CARBON	22K 5% 1/4W
R1306	1-247-704-11	CARBON	220 5% 1/4W	R1403	1-249-433-11	CARBON	22K 5% 1/4W
R1307	1-247-704-11	CARBON	220 5% 1/4W	R1404	1-249-433-11	CARBON	22K 5% 1/4W
R1308	1-249-429-11	CARBON	10K 5% 1/4W	R1405	1-249-437-11	CARBON	47K 5% 1/4W
R1309	1-247-704-11	CARBON	220 5% 1/4W	R1406	1-249-437-11	CARBON	47K 5% 1/4W
R1310	1-249-431-11	CARBON	15K 5% 1/4W	R1407	1-249-437-11	CARBON	47K 5% 1/4W
R1311	1-249-409-11	CARBON	220 5% 1/4W	R1408	1-249-437-11	CARBON	47K 5% 1/4W
R1312	1-249-440-11	CARBON	82K 5% 1/4W				

**PVM-2730QM**  
 RM-668

**B**

REF. NO.	PART NO.	DESCRIPTION	REMARK	REF. NO.	PART NO.	DESCRIPTION	REMARK
R194	1-249-423-11	CARBON	3.3K 5% 1/4W	R368	1-249-428-11	CARBON	8.2K 5% 1/4W
R195	1-249-421-11	CARBON	2.2K 5% 1/4W	R370	1-249-419-11	CARBON	1.5K 5% 1/4W
R196	1-249-414-11	CARBON	560 5% 1/4W	R371	1-249-435-11	CARBON	33K 5% 1/4W
R197	1-249-421-11	CARBON	2.2K 5% 1/4W	R372	1-249-441-11	CARBON	100K 5% 1/4W
R198	1-249-405-11	CARBON	100 5% 1/4W	R373	1-249-435-11	CARBON	33K 5% 1/4W
R199	1-249-417-11	CARBON	1K 5% 1/4W	R374	1-249-435-11	CARBON	33K 5% 1/4W
R303	1-249-469-11	CARBON	100K 5% 1/4W	R375	1-249-423-11	CARBON	3.3K 5% 1/4W
R304	1-249-436-11	CARBON	39K 5% 1/4W	R377	1-249-412-11	CARBON	390 5% 1/4W
R305	1-247-883-00	CARBON	150K 5% 1/4W	R378	1-249-414-11	CARBON	560 5% 1/4W
R306	1-249-435-11	CARBON	33K 5% 1/4W	R379	1-249-429-11	CARBON	10K 5% 1/4W
R308	1-249-409-11	CARBON	220 5% 1/4W	R380	1-249-437-11	CARBON	47K 5% 1/4W
R310	1-249-462-11	CARBON	22K 5% 1/4W	R381	1-249-440-11	CARBON	82K 5% 1/4W
R311	1-249-439-11	CARBON	68K 5% 1/4W	R382	1-249-438-11	CARBON	56K 5% 1/4W
R312	1-249-439-11	CARBON	68K 5% 1/4W	R383	1-247-889-00	CARBON	270K 5% 1/4W
R313	1-249-421-11	CARBON	2.2K 5% 1/4W	R384	1-249-425-11	CARBON	4.7K 5% 1/4W
R314	1-249-409-11	CARBON	220 5% 1/4W	R385	1-249-414-11	CARBON	560 5% 1/4W
R315	1-249-433-11	CARBON	22K 5% 1/4W	R386	1-249-429-11	CARBON	10K 5% 1/4W
R316	1-249-435-11	CARBON	33K 5% 1/4W	R387	1-249-417-11	CARBON	1K 5% 1/4W
R317	1-249-421-11	CARBON	2.2K 5% 1/4W	R388	1-247-893-11	CARBON	390K 5% 1/4W
R318	1-249-409-11	CARBON	220 5% 1/4W	R389	1-249-433-11	CARBON	22K 5% 1/4W
R319	1-249-433-11	CARBON	22K 5% 1/4W	R390	1-249-433-11	CARBON	22K 5% 1/4W
R320	1-249-435-11	CARBON	33K 5% 1/4W	R391	1-249-437-11	CARBON	47K 5% 1/4W
R321	1-249-435-11	CARBON	33K 5% 1/4W	R392	1-249-431-11	CARBON	15K 5% 1/4W
R322	1-249-429-11	CARBON	10K 5% 1/4W	R393	1-249-435-11	CARBON	33K 5% 1/4W
R323	1-249-441-11	CARBON	100K 5% 1/4W	R394	1-249-429-11	CARBON	10K 5% 1/4W
R324	1-249-441-11	CARBON	100K 5% 1/4W	R395	1-247-895-00	CARBON	470K 5% 1/4W
R326	1-249-441-11	CARBON	100K 5% 1/4W	R396	1-249-419-11	CARBON	1.5K 5% 1/4W
R327	1-249-423-11	CARBON	3.3K 5% 1/4W	R398	1-249-420-11	CARBON	1.8K 5% 1/4W
R328	1-249-423-11	CARBON	3.3K 5% 1/4W	R401	1-249-412-11	CARBON	390 5% 1/4W
R329	1-249-423-11	CARBON	3.3K 5% 1/4W	R402	1-247-717-11	CARBON	2.2K 5% 1/4W
R330	1-249-417-11	CARBON	1K 5% 1/4W	R403	1-249-427-11	CARBON	6.8K 5% 1/4W
R331	1-247-903-00	CARBON	1M 5% 1/4W	R404	1-249-429-11	CARBON	10K 5% 1/4W
R332	1-247-889-00	CARBON	270K 5% 1/4W	R406	1-249-412-11	CARBON	390 5% 1/4W
R333	1-249-414-11	CARBON	560 5% 1/4W	R410	1-249-422-11	CARBON	2.7K 5% 1/4W
R334	1-247-883-00	CARBON	150K 5% 1/4W	R411	1-247-899-11	CARBON	680K 5% 1/4W
R335	1-249-413-11	CARBON	470 5% 1/4W	R412	1-249-417-11	CARBON	1K 5% 1/4W
R336	1-249-409-11	CARBON	220 5% 1/4W	R413	1-249-425-11	CARBON	4.7K 5% 1/4W
R337	1-249-427-11	CARBON	6.8K 5% 1/4W	R414	1-249-438-11	CARBON	56K 5% 1/4W
R338	1-249-421-11	CARBON	2.2K 5% 1/4W	R415	1-249-429-11	CARBON	10K 5% 1/4W
R339	1-249-417-11	CARBON	1K 5% 1/4W	R418	1-247-720-11	CARBON	3.9K 5% 1/4W
R340	1-249-421-11	CARBON	2.2K 5% 1/4W	R419	1-249-429-11	CARBON	10K 5% 1/4W
R341	1-249-422-11	CARBON	2.7K 5% 1/4W	R420	1-249-412-11	CARBON	390 5% 1/4W
R342	1-249-428-11	CARBON	8.2K 5% 1/4W	R421	1-249-438-11	CARBON	56K 5% 1/4W
R343	1-249-433-11	CARBON	22K 5% 1/4W	R422	1-249-427-11	CARBON	6.8K 5% 1/4W
R345	1-249-439-11	CARBON	68K 5% 1/4W	R425	1-249-408-11	CARBON	180 5% 1/4W
R346	1-249-426-11	CARBON	5.6K 5% 1/4W	R426	1-249-435-11	CARBON	33K 5% 1/4W
R350	1-249-413-11	CARBON	470 5% 1/4W	R427	1-249-423-11	CARBON	3.3K 5% 1/4W
R351	1-249-405-11	CARBON	100 5% 1/4W	R429	1-249-429-11	CARBON	10K 5% 1/4W
R352	1-249-433-11	CARBON	22K 5% 1/4W	R430	1-249-423-11	CARBON	3.3K 5% 1/4W
R353	1-249-420-11	CARBON	1.8K 5% 1/4W	R431	1-249-425-11	CARBON	4.7K 5% 1/4W
R354	1-249-435-11	CARBON	33K 5% 1/4W	R432	1-249-428-11	CARBON	8.2K 5% 1/4W
R355	1-249-433-11	CARBON	22K 5% 1/4W	R433	1-249-428-11	CARBON	8.2K 5% 1/4W
R356	1-249-437-11	CARBON	47K 5% 1/4W	R434	1-249-418-11	CARBON	1.2K 5% 1/4W
R357	1-249-430-11	CARBON	12K 5% 1/4W	R435	1-249-417-11	CARBON	1K 5% 1/4W
R358	1-249-435-11	CARBON	33K 5% 1/4W	R436	1-249-421-11	CARBON	2.2K 5% 1/4W
R359	1-247-883-00	CARBON	150K 5% 1/4W	R437	1-249-431-11	CARBON	15K 5% 1/4W
R360	1-247-708-11	CARBON	470 5% 1/4W	R438	1-249-431-11	CARBON	15K 5% 1/4W
R361	1-249-417-11	CARBON	1K 5% 1/4W	R439	1-249-418-11	CARBON	1.2K 5% 1/4W
R362	1-249-429-11	CARBON	10K 5% 1/4W	R440	1-249-417-11	CARBON	1K 5% 1/4W
R363	1-249-417-11	CARBON	1K 5% 1/4W	R441	1-249-420-11	CARBON	1.8K 5% 1/4W
R364	1-249-412-11	CARBON	390 5% 1/4W	R442	1-249-421-11	CARBON	2.2K 5% 1/4W
R365	1-247-723-11	CARBON	6.8K 5% 1/4W	R443	1-249-408-11	CARBON	180 5% 1/4W
R366	1-247-891-00	CARBON	330K 5% 1/4W	R444	1-249-439-11	CARBON	68K 5% 1/4W
R367	1-249-437-11	CARBON	47K 5% 1/4W				

**PVM-2730QM**  
RM-668

The components identified by shading and mark **Δ** are critical for safety.  
Replace only with part number specified.

**B FB FA**

REF.NO.	PART NO.	DESCRIPTION	REMARK	REF.NO.	PART NO.	DESCRIPTION	REMARK
R1409	1-247-704-11	CARBON 220 5% 1/4W	F	C608	Δ 1-162-738-12	CERAMIC 0.0047MF	20% 400V
R1410	1-249-421-11	CARBON 2.2K 5% 1/4W		C610	1-125-222-41	ELECT(BLOCK) 330MF	20% 400V
R1411	1-247-725-11	CARBON 10K 5% 1/4W		C617	1-162-599-12	CERAMIC 0.0047MF	20% 400V
R1412	1-249-429-11	CARBON 10K 5% 1/4W		C618	1-102-030-00	CERAMIC 330PF	10% 500V
R1413	1-249-421-11	CARBON 2.2K 5% 1/4W		C619	1-130-202-00	FILM 0.022MF	10% 400V
<VARIABLE RESISTOR>				C620	1-124-126-00	BLECT 47MF	20% 16V
RV301	1-228-989-00	RES, ADJ, CARBON 470		C621	1-130-062-00	FILM 0.0056MF	5% 630V
RV302	1-228-995-00	RES, ADJ, CARBON 22K		C622	1-124-929-11	BLECT 22MF	20% 100V
RV303	1-228-994-00	RES, ADJ, CARBON 10K		C623	1-161-973-00	CERAMIC 220PF	10% 400V
RV318	1-228-993-00	RES, ADJ, CARBON 4.7K		C624	1-161-973-00	CERAMIC 220PF	10% 400V
RV1301	1-228-991-00	RES, ADJ, CARBON 2.2K		C632	1-102-002-00	CERAMIC 680PF	10% 500V
RV1302	1-228-991-00	RES, ADJ, CARBON 2.2K		C651	1-162-115-00	CERAMIC 330PF	10% 2KV
<TRANSFORMER>				C652	1-125-494-11	ELECT(BLOCK) 560MR	20% 160V
T301	1-404-524-11	DAT		C653	1-126-170-11	ELECT 1000MF	20% 50V
T401	1-404-584-11	COIL		C654	1-124-563-11	ELECT 2200MF	20% 25V
<CRYSTAL>				C655	1-124-563-11	ELECT 2200MF	20% 25V
X101	1-567-192-11	OSCILLATOR, CERAMIC		C656	1-162-318-11	CERAMIC 0.001MF	10% 500V
X358	1-567-505-11	OSCILLATOR, CRYSTAL		C658	1-124-126-00	ELECT 47MF	20% 25V
X443	1-567-504-11	OSCILLATOR, CRYSTAL		C659	1-102-030-00	CERAMIC 330PF	10% 500V
*****				C661	1-123-333-00	ELECT 100MF	20% 25V
*1-621-546-11	FB BOARD	*****		C662	1-136-601-11	FILM 0.01MF	5% 630V
<CAPACITOR>				C663	1-124-791-11	ELECT 1MF	20% 50V
C1601	1-108-692-11	MYLAR 0.01MF 10% 200V		C664	1-124-791-11	ELECT 1MF	20% 50V
<CONNECTOR>				C666	1-126-101-11	ELECT 100MF	20% 10V
FB1	*1-506-348-99	PIN, CONNECTOR 4P		C667	1-102-121-00	CERAMIC 0.0022MF	10% 50V
FB2	*1-508-784-00	PIN, CONNECTOR (5MM PITCH) 1P		C668	Δ 1-136-360-51	FILM 0.22MF	20% 250V (ABP, AUS ONLY)
<COIL>				Δ 1-136-415-51	FILM 0.33MF	20% 250V (WG ONLY)	
L1601	1-459-407-00	COIL, FERRITE CHOKE		C669	Δ 1-161-738-12	CERAMIC 0.0047MF	20% 400V
<NEON LAMP>				C670	Δ 1-161-738-12	CERAMIC 0.0047MF	20% 400V
NL1691	1-519-108-99	LAMP, NEON		C671	Δ 1-161-738-12	CERAMIC 0.0047MF	20% 400V
<RESISTOR>				C672	Δ 1-161-738-12	CERAMIC 0.0047MF	20% 400V
R1601	1-216-423-11	METAL OXIDE 27 5% 1W	F	C673	Δ 1-161-738-12	CERAMIC 0.0047MF	20% 400V
*****				C674	Δ 1-136-360-51	FILM 0.22MF	20% 250V (ABP, AUS ONLY)
*A-1245-387-A	FA BOARD, COMPLETE	(ABP, AUS ONLY)		Δ 1-136-415-51	FILM 0.33MF	20% 250V (WG ONLY)	
*A-1245-411-A	FA BOARD, COMPLETE	(WG ONLY)		C676	1-126-170-11	ELECT 1000MF	20% 50V (ABP, AUS ONLY)
<CAPACITOR>				1-136-173-00	FILM 0.47MF	5% 50V (WG ONLY)	
C601	Δ 1-136-360-51	FILM 0.22MF	20% 250V (ABP, AUS ONLY)	C677	1-136-173-00	FILM 0.47MF	5% 50V (ABP, AUS ONLY)
Δ 1-136-415-51	FILM 0.33MF	20% 250V (WG ONLY)		C678	1-136-415-51	FILM 0.33MF	20% 250V (WG ONLY)
C607	1-162-599-12	CERAMIC 0.0047MF	20% 400V	C681	1-136-153-00	FILM 0.01MF	5% 50V
*****				C682	1-130-062-00	FILM 0.0056MF	5% 630V
<DIODE>				C686	1-136-173-00	FILM 0.47MF	5% 50V (ABP, AUS ONLY)
D601	8-719-503-06	DIODE S3WB60Z		<DIODE>			
D602	8-719-110-31	DIODE RD12ES-B2		D609	8-719-300-33	DIODE RU-3AM	
D605	8-719-971-20	DIODE ERC38-06		D651	8-719-300-53	DIODE CTU-38S	
D607	8-719-911-19	DIODE ISS119		D653	8-719-300-59	DIODE CTU-12S	
D608	8-719-911-19	DIODE ISS119		D654	8-719-300-59	DIODE CTU-12S	
*****				*4-347-706-00	HEAT SINK (TR); D654		



**PVM-2730QM**  
RM-668



The components identified by shading and mark **Δ** are critical for safety. Replace only with part number specified.

REF.NO.	PART NO.	DESCRIPTION	REMARK	REF.NO.	PART NO.	DESCRIPTION	REMARK
D655	8-719-016-42	DIODE MC932		R613	1-215-895-11	METAL OXIDE 3.3K 5% 2W	F
D656	8-719-300-59	DIODE CTU-12S		R614	1-216-458-11	METAL OXIDE 1.8K 5% 2W	F
	*4-347-706-00	HEAT SINK (TR); D656		R615	1-205-737-00	WIREWOUND 30 10% 7W	
D658	8-719-110-03	DIODE RD7.5ES-B2		R623	1-247-718-11	CARBON 2.7K 5% 1/4W	
D659	8-719-110-03	DIODE RD7.5ES-B2		R627	1-249-409-11	CARBON 220 5% 1/4W	
D660	8-719-911-19	DIODE 1SS119		R628	1-247-889-00	CARBON 270K 5% 1/4W	
D661	8-719-911-55	DIODE U05G		R629	1-249-427-11	CARBON 6.8K 5% 1/4W	
D663	8-719-109-93	DIODE RD6.2ES-B2		R630	1-247-692-11	CARBON 22 5% 1/4W	F
D664	8-719-110-31	DIODE RD12ES-B2		R631	1-207-945-00	WIREWOUND 390 10% 7W	F
D665	8-719-300-59	DIODE CTU-12S		R632	1-217-192-21	WIREWOUND 0.22 10% 2W	F
D666	8-719-911-19	DIODE 1SS119		R652	1-216-430-11	METAL OXIDE 390 5% 1W	F
D667	8-719-911-55	DIODE U05G		R653	1-249-425-11	CARBON 4.7K 5% 1/4W	
<FUSE>				R654	1-216-464-11	METAL OXIDE 18K 5% 2W	F
F601	Δ 1-532-299-11	FUSE, TIME-LAG 5A/250V		R662	1-249-436-11	CARBON 39K 5% 1/4W	
	*1-533-189-11	HOLDER, FUSE; F601		R663	1-249-430-11	CARBON 12K 5% 1/4W	
<CONNECTOR>				R664	1-249-441-11	CARBON 100K 5% 1/4W	
FA1	*1-506-348-99	PIN, CONNECTOR 3P		R665	1-215-436-00	METAL 4.3K 1% 1/6W	
FA2	*1-506-348-99	PIN, CONNECTOR 3P		R666	1-247-713-11	CARBON 1K 5% 1/4W	
FA3	*1-508-765-00	PIN, CONNECTOR (5MM PITCH) 3P		R667	1-247-703-11	CARBON 180 5% 1/4W	
FA4	*1-508-767-00	PIN, CONNECTOR (5MM PITCH) 5P		R669	1-247-720-11	CARBON 3.9K 5% 1/4W	
FA6	*1-508-765-00	PIN, CONNECTOR (5MM PITCH) 3P		R670	1-249-420-11	CARBON 1.8K 5% 1/4W	
FA7	*1-566-058-11	PIN, CONNECTOR 6P		R671	Δ 1-205-758-11	WIREWOUND 100 10% 10W	F
FA8	*1-566-054-11	PIN, CONNECTOR 2P		R673	Δ 1-244-945-91	CARBON 1M 5% 1/2W	
FA9	*1-564-529-11	CONNECTOR, BOARD TO BOARD 5P		R677	1-216-346-00	METAL OXIDE 0.56 5% 1W	F
FA10	*1-564-529-11	CONNECTOR, BOARD TO BOARD 5P		R678	1-247-749-11	CARBON 560 5% 1/2W	F
<IC>				R679	1-215-924-00	METAL OXIDE 15K 5% 3W	F
IC602	8-719-802-22	DIODE TLP581-Y		R680	1-207-971-00	WIREWOUND 470 10% 7W	F
IC651	8-759-945-58	IC RC4558P		R681	1-249-448-11	CARBON 1.2 5% 1/4W	(AEP, AUS ONLY)
<COIL>				R682	1-249-429-11	CARBON 10K 5% 1/4W	(WG ONLY)
L601	1-407-365-00	COIL, CHOKE		R683	1-216-488-11	METAL OXIDE 18K 5% 3W	(AEP, AUS ONLY)
L652	1-408-159-00	COIL, SPOOK CHOKE		R684	1-249-448-11	CARBON 1.2 5% 1/4W	(AEP, AUS ONLY)
L653	1-408-159-00	COIL, SPOOK CHOKE		R685	1-249-440-11	CARBON 82K 5% 1/4W	
<IC LINK>				R689	1-249-429-11	CARBON 10K 5% 1/4W	(AEP, AUS ONLY)
PS651	1-532-675-00	LINK, IC		R690	1-249-449-11	CARBON 1.5 5% 1/4W	(AEP, AUS ONLY)
PS652	1-532-686-00	LINK, IC		<VARIABLE RESISTOR>			
PS653	1-532-686-00	LINK, IC		RV651	1-226-771-11	RES, ADJ, METAL GLAZE 1K	
PS654	1-532-637-00	LINK, IC		RV652	1-226-702-00	RES, ADJ, METAL GLAZE 2.2K	
<TRANSISTOR>				<TRANSFORMER>			
Q601	8-729-195-82	TRANSISTOR 2SC2958-L		T601	Δ 1-421-758-11	TRANSFORMER, LINE FILTER (LFT)	(AEP, AUS ONLY)
Q602	8-729-802-07	TRANSISTOR 2SD1403-CA			Δ 1-421-974-11	TRANSFORMER, LINE FILTER (WG ONLY)	
	3-704-359-01	SCREW (M3X10), SW (+) P; Q602		T602	Δ 1-421-758-11	TRANSFORMER, LINE FILTER (LFT)	(AEP, AUS ONLY)
	4-365-216-00	SPACER, MICA; Q602			Δ 1-421-974-11	TRANSFORMER, LINE FILTER (WG ONLY)	
Q651	8-729-109-55	TRANSISTOR 2SD795A-Q1		T603	Δ 1-437-079-11	TRANSFORMER, HORIZONTAL DRIVE	
	*4-347-706-00	HEAT SINK (TR); Q651		T605	Δ 1-448-901-11	SRT	
Q652	8-729-178-55	TRANSISTOR 2SC2785-E		T607	1-421-975-11	TRANSFORMER, LINE FILTER (WG ONLY)	
Q653	8-719-000-28	THYRISTOR CRO2AM-8		<THERMISTOR>			
<RESISTOR>				TH651	1-800-070-99	THERMISTOR TH-4700	
R601	Δ 1-217-328-11	WIREWOUND 2.7 10% 7W	F	THP601	Δ 1-806-387-12	THERMISTOR (POSITIVE)	
R604	Δ 1-247-289-11	CARBON 8.2M 5% 1W	F	*****			
R609	1-215-894-11	METAL OXIDE 2.2K 5% 2W	F				
R612	1-215-904-11	METAL OXIDE 100K 5% 2W	F				

**PVM-2730QM**  
RM-668



REF.NO.	PART NO.	DESCRIPTION
<JACK>		
J25	1-561-534-41	SOCKET 21P
<COIL>		
L1700	1-408-410-00	INDUCTOR 12UH (WG ONLY)
<TRANSISTOR>		
Q1894	8-729-119-78	TRANSISTOR 2SC2785-HFE
Q1895	8-729-119-78	TRANSISTOR 2SC2785-HFE
Q1896	8-729-119-78	TRANSISTOR 2SC2785-HFE
<CONNECTOR>		
QA1	*1-566-055-11	PIN, CONNECTOR 3P
QA2	*1-560-278-00	PLUG, CONNECTOR 3P
QA11	*1-566-054-11	PIN, CONNECTOR 2P
<RESISTOR>		
R1700	1-247-104-00	CARBON 75 5% 1/4W
R1701	1-249-417-11	CARBON 1K 5% 1/4W
R1702	1-249-439-11	CARBON 68K 5% 1/4W
R1703	1-249-417-11	CARBON 1K 5% 1/4W
R1704	1-249-439-11	CARBON 68K 5% 1/4W
R1705	1-247-804-11	CARBON 75 5% 1/4W
R1706	1-249-417-11	CARBON 1K 5% 1/4W
R1707	1-249-439-11	CARBON 68K 5% 1/4W
R1708	1-249-417-11	CARBON 1K 5% 1/4W
R1709	1-249-439-11	CARBON 68K 5% 1/4W
R1715	1-247-104-00	CARBON 75 5% 1/4W
R1716	1-249-421-11	CARBON 2.2K 5% 1/4W
R1717	1-247-901-11	CARBON 820K 5% 1/4W
R1718	1-247-708-11	CARBON 470 5% 1/4W
R1719	1-249-408-11	CARBON 180 5% 1/4W
R1720	1-249-421-11	CARBON 2.2K 5% 1/4W
R1721	1-247-708-11	CARBON 470 5% 1/4W
R1722	1-249-408-11	CARBON 180 5% 1/4W
R1723	1-249-421-11	CARBON 2.2K 5% 1/4W
R1724	1-247-708-11	CARBON 470 5% 1/4W
R1725	1-249-408-11	CARBON 180 5% 1/4W
R1726	1-247-895-00	CARBON 470K 5% 1/4W
R1727	1-247-713-11	CARBON 1K 5% 1/4W
R1728	1-247-901-11	CARBON 820K 5% 1/4W
R1729	1-247-710-11	CARBON 560 5% 1/4W
R1730	1-247-895-00	CARBON 470K 5% 1/4W
R1731	1-247-713-11	CARBON 1K 5% 1/4W
R1732	1-247-901-11	CARBON 820K 5% 1/4W
R1733	1-247-104-00	CARBON 75 5% 1/4W
R1735	1-247-104-00	CARBON 75 5% 1/4W
R1736	1-247-104-00	CARBON 75 5% 1/4W
R1737	1-247-104-00	CARBON 75 5% 1/4W
R1738	1-249-409-11	CARBON 220 5% 1/4W
R1739	1-247-104-00	CARBON 75 5% 1/4W
R1740	1-249-429-11	CARBON 10K 5% 1/4W
R1742	1-249-412-11	CARBON 390 5% 1/4W
R1743	1-247-713-11	CARBON 1K 5% 1/4W
R1744	1-247-901-11	CARBON 820K 5% 1/4W
R1746	1-249-406-11	CARBON 120 5% 1/4W
R1750	1-249-417-11	CARBON 1K 5% 1/4W

REMARK	REF.NO.	PART NO.	DESCRIPTION	REMARK
	R1751	1-247-104-00	CARBON 75 5% 1/4W	
	R1752	1-247-696-11	CARBON 47 5% 1/4W	
	R1753	1-247-696-11	CARBON 47 5% 1/4W	
	R1754	1-247-696-11	CARBON 47 5% 1/4W	
	R1755	1-249-418-11	CARBON 1.2K 5% 1/4W	
	R1756	1-249-418-11	CARBON 1.2K 5% 1/4W	
	R1760	1-247-893-11	CARBON 390K 5% 1/4W	
	R1761	1-247-893-11	CARBON 390K 5% 1/4W	
	R1762	1-247-893-11	CARBON 390K 5% 1/4W	
	R1763	1-247-893-11	CARBON 390K 5% 1/4W	
	R1764	1-247-743-11	CARBON 220 5% 1/2W	
	R1765	1-247-743-11	CARBON 220 5% 1/2W	
	R1768	1-249-406-11	CARBON 120 5% 1/4W	
	R1769	1-247-710-11	CARBON 560 5% 1/4W	
	R2800	1-247-104-00	CARBON 75 5% 1/4W	
	R2801	1-247-104-00	CARBON 75 5% 1/4W	
	R2802	1-249-433-11	CARBON 22K 5% 1/4W	
	R2803	1-249-462-11	CARBON 22K 5% 1/4W	
	R2804	1-247-713-11	CARBON 1K 5% 1/4W	
	R2805	1-249-433-11	CARBON 22K 5% 1/4W	
	R2806	1-249-433-11	CARBON 22K 5% 1/4W	
	R2807	1-249-417-11	CARBON 1K 5% 1/4W	
	R2808	1-249-433-11	CARBON 22K 5% 1/4W	
	R2809	1-249-462-11	CARBON 22K 5% 1/4W	
	R2810	1-247-713-11	CARBON 1K 5% 1/4W	
	R2811	1-249-405-11	CARBON 100 5% 1/4W	
	R2812	1-249-405-11	CARBON 100 5% 1/4W	
	R2813	1-249-405-11	CARBON 100 5% 1/4W	
<SWITCH>				
	S1	1-570-145-11	SWITCH, SLIDE	
	S2	1-570-145-11	SWITCH, SLIDE	
	S3	1-570-145-11	SWITCH, SLIDE	
	S4	1-570-145-11	SWITCH, SLIDE	
	S5	1-570-145-11	SWITCH, SLIDE	
	S6	1-570-145-11	SWITCH, SLIDE	
<SPARK GAP>				
	SG1701	1-519-063-99	DISCHARGING GAP	
	SG1702	1-519-063-99	DISCHARGING GAP	
*****				
	*A-1270-282-A QB BOARD, COMPLETE			
*****				
<CAPACITOR>				
	C1761	1-123-356-00	ELECT 10MF 20% 16V	
	C1777	1-102-074-00	CERAMIC 0.001MF 10% 50V	
	C1778	1-102-074-00	CERAMIC 0.001MF 10% 50V	
	C1779	1-126-103-11	ELECT 470MF 20% 16V	
	C1781	1-101-004-00	CERAMIC 0.01MF 50V	
	C1782	1-126-101-11	ELECT 100MF 20% 16V	
	C1788	1-123-356-00	ELECT 10MF 20% 25V	
	C1789	1-123-356-00	ELECT 10MF 20% 25V	
	C1790	1-124-477-11	ELECT 47MF 20% 16V	
	C1791	1-124-477-11	ELECT 47MF 20% 16V	
	C1792	1-102-959-00	CERAMIC 22PF 5% 50V	
	C1794	1-124-477-11	ELECT 47MF 20% 16V	
	C1799	1-124-471-00	ELECT 1000MF 20% 6.3V	
	C1800	1-124-477-11	ELECT 47MF 20% 16V	
	C1801	1-126-103-11	ELECT 470MF 20% 16V	

The components identified by shading and mark **△** are critical for safety.  
Replace only with part number specified.

**PVM-2730QM**  
RM-668

**FC QA**

REF.NO.	PART NO.	DESCRIPTION	REMARK	REF.NO.	PART NO.	DESCRIPTION	REMARK
	*1-621-548-11	FC BOARD *****		1-537-075-21	TERMINAL BOARD, INPUT/OUTPUT		
				1-537-076-11	TERMINAL BOARD, INPUT/OUTPUT		
		<CAPACITOR>			<CAPACITOR>		
C611	1-108-638-11	MYLAR 0.1MF	10% 100V	C1700	1-124-477-11	ELECT 47MF	20% 16V
C612	1-108-796-11	MYLAR 0.0022MF	5% 50V	C1701	1-126-096-11	ELECT 10MF	20% 25V
C613	1-123-356-00	ELECT 10MF	20% 16V	C1702	1-126-096-11	ELECT 10MF	20% 25V
C614	1-123-330-00	ELECT 22MF	20% 25V	C1703	1-124-477-11	ELECT 47MF	20% 16V
C615	1-102-074-00	CERAMIC 0.001MF	10% 50V	C1704	1-126-096-11	ELECT 10MF	20% 25V
C616	1-123-875-11	ELECT 10MF	20% 50V	C1705	1-126-096-11	ELECT 10MF	20% 25V
C625	1-123-380-00	ELECT 1MF	20% 50V	C1708	1-124-589-11	ELECT 47MF	20% 16V
C627	1-136-153-00	FILM 0.01MF	5% 50V	C1709	1-126-096-11	ELECT 10MF	20% 25V
C628	1-102-820-00	CERAMIC 330PF	5% 50V	C1710	1-101-880-00	CERAMIC 47PF	5% 50V
C634	1-108-638-11	MYLAR 0.1MF	10% 100V	C1712	1-101-880-00	CERAMIC 47PF	5% 50V
		<DIODE>		C1714	1-101-880-00	CERAMIC 47PF	5% 50V
D603	8-719-911-19	DIODE ISS119		C1715	1-123-356-00	ELECT 10MF	20% 25V
D604	8-759-157-40	IC UPC574J		C1716	1-123-356-00	ELECT 10MF	20% 25V
D606	8-719-911-19	DIODE ISS119		C1717	1-123-356-00	ELECT 10MF	20% 25V
		<CONNECTOR>		C1718	1-123-356-00	ELECT 10MF	20% 25V
FC1	*1-562-516-11	CONNECTOR, BOARD TO BOARD 5P		C1719	1-124-477-11	ELECT 47MF	20% 16V
FC2	*1-562-516-11	CONNECTOR, BOARD TO BOARD 5P		C1720	1-124-477-11	ELECT 47MF	20% 16V
		<IC>		C1721	1-124-477-11	ELECT 47MF	20% 16V
IC601	8-759-100-75	IC UPC1394C		C1722	1-124-589-11	ELECT 47MF	20% 16V
		<TRANSISTOR>		C1723	1-123-356-00	ELECT 10MF	20% 25V
Q603	8-729-178-55	TRANSISTOR 2SC2785-E		C1728	1-102-973-00	CERAMIC 100PF	5% 50V
		<RESISTOR>		C1729	1-102-973-00	CERAMIC 100PF	5% 50V
R605	1-247-891-00	CARBON 330K	5% 1/4W	C1731	1-102-973-00	CERAMIC 100PF	5% 50V
R606	1-249-433-11	CARBON 22K	5% 1/4W	C1732	1-102-973-00	CERAMIC 100PF	5% 50V
R608	1-249-421-11	CARBON 2.2K	5% 1/4W	C1738	1-102-973-00	CERAMIC 100PF	5% 50V
R611	1-215-457-00	METAL 33K	1% 1/6W	C1743	1-102-973-00	CERAMIC 100PF	5% 50V
R616	1-247-862-11	CARBON 20K	5% 1/4W	C1744	1-102-973-00	CERAMIC 100PF	5% 50V
R621	1-249-429-11	CARBON 10K	5% 1/4W	C1747	1-102-965-00	CERAMIC 39PF	5% 50V
R622	1-249-433-11	CARBON 22K	5% 1/4W	C1748	1-102-965-00	CERAMIC 39PF	5% 50V
R624	1-249-425-11	CARBON 4.7K	5% 1/4W	C1749	1-102-965-00	CERAMIC 39PF	5% 50V
R625	1-249-441-11	CARBON 100K	5% 1/4W	C1750	1-102-965-00	CERAMIC 39PF	5% 50V
R626	1-247-712-11	CARBON 820	5% 1/4W	C1752	1-161-047-00	CERAMIC 0.0047MF	10% 50V
R633	1-247-887-00	CARBON 220K	5% 1/4W	C1753	1-102-965-00	CERAMIC 39PF	5% 50V
R634	1-249-437-11	CARBON 47K	5% 1/4W	C1754	1-126-157-11	ELECT 10MF	20% 16V
R636	1-215-471-00	METAL 120K	1% 1/6W	C1755	1-123-356-00	ELECT 10MF	20% 16V
R637	1-249-433-11	CARBON 22K	5% 1/4W	C1756	1-101-004-00	CERAMIC 0.01MF	50V
R638	1-215-435-00	METAL 3.9K	1% 1/6W	C1757	1-101-004-00	CERAMIC 0.01MF	50V
R639	1-249-425-11	CARBON 4.7K	5% 1/4W	C1758	1-123-356-00	ELECT 10MF	20% 16V
R674	1-249-440-11	CARBON 82K	5% 1/4W	C1759	1-101-006-00	CERAMIC 0.047MF	50V
		<THERMISTOR>		C1760	1-124-477-11	ELECT 47MF	20% 16V
TH601A	1-800-944-11	THERMISTOR TH-4700		C1763	1-130-479-00	MYLAR 0.0047MF	5% 50V
		*****		C1764	1-130-479-00	MYLAR 0.0047MF	5% 50V
	*A-1270-281-A	QA BOARD, COMPLETE (AEP,AUS ONLY)			<DIODE>		
	*A-1270-283-A	QA BOARD, COMPLETE (WG ONLY)		D1703	8-719-109-93	DIODE RD6.2ES-B2	
		*****		D1706	8-719-109-93	DIODE RD6.2ES-B2	
				D1707	8-719-109-93	DIODE RD6.2ES-B2	
				D1708	8-719-109-93	DIODE RD6.2ES-B2	
				D1709	8-719-109-93	DIODE RD6.2ES-B2	
				D1710	8-719-109-93	DIODE RD6.2ES-B2	
				D1711	8-719-109-93	DIODE RD6.2ES-B2	
				D1712	8-719-110-30	DIODE RD12ES-B1	
				D1713	8-719-110-30	DIODE RD12ES-B1	
				D1714	8-719-110-30	DIODE RD12ES-B1	
				D1715	8-719-110-30	DIODE RD12ES-B1	
				D1716	8-719-110-30	DIODE RD12ES-B1	



PVM-2730QM  
RM-668

QB

REF. NO.	PART NO.	DESCRIPTION	REMARK	REF. NO.	PART NO.	DESCRIPTION	REMARK
C1802	1-102-971-00	CERAMIC	82PF	5%	50V		
C1804	1-101-004-00	CERAMIC	0.01MF		50V		
C1806	1-101-361-00	CERAMIC	150PF	5%	50V		
C1807	1-102-111-00	CERAMIC	270PF	10%	50V		
C1808	1-101-004-00	CERAMIC	0.01MF		50V		
C1810	1-124-477-11	ELECT	47MF	20%	16V		
C1811	1-124-477-11	ELECT	47MF	20%	16V		
C1813	1-124-477-11	ELECT	47MF	20%	16V		
C1820	1-124-477-11	ELECT	47MF	20%	16V		
C1821	1-101-004-00	CERAMIC	0.01MF		50V		
C1823	1-136-165-00	FILM	0.1MF	5%	50V		
C1824	1-136-165-00	FILM	0.1MF	5%	50V		
C1825	1-136-165-00	FILM	0.1MF	5%	50V		
C1830	1-124-477-11	ELECT	47MF	20%	16V		
C1831	1-101-004-00	CERAMIC	0.01MF		50V		
C1832	1-124-477-11	ELECT	47MF	20%	16V		
C1833	1-101-004-00	CERAMIC	0.01MF		50V		
C1834	1-101-004-00	CERAMIC	0.01MF		50V		
C1835	1-124-477-11	ELECT	47MF	20%	16V		
C1838	1-101-880-00	CERAMIC	47PF	5%	50V		
C1839	1-124-477-11	ELECT	47MF	20%	16V		
C1840	1-101-004-00	CERAMIC	0.01MF		50V		
C1850	1-101-880-00	CERAMIC	47PF	5%	50V		
C1851	1-101-880-00	CERAMIC	47PF	5%	50V		
C1852	1-101-880-00	CERAMIC	47PF	5%	50V		
C1893	1-101-004-00	CERAMIC	0.01MF		50V		
C1894	1-102-129-00	CERAMIC	0.01MF	10%	50V		
<DIODE>							
D1770	8-719-911-19	DIODE	1SS119				
D1772	8-719-911-19	DIODE	1SS119				
D1773	8-719-911-19	DIODE	1SS119				
D1774	8-719-911-19	DIODE	1SS119				
D1775	8-719-911-19	DIODE	1SS119				
D1776	8-719-911-19	DIODE	1SS119				
D1777	8-719-911-19	DIODE	1SS119				
D1780	8-719-911-19	DIODE	1SS119				
D1781	8-719-911-19	DIODE	1SS119				
D1782	8-719-911-19	DIODE	1SS119				
D1784	8-719-110-14	DIODE	RD9.1ES-B3				
D1787	8-719-109-90	DIODE	RD5.6ES-B3				
D1788	8-719-911-19	DIODE	1SS119				
D1789	8-719-911-19	DIODE	1SS119				
<IC>							
IC1770	8-759-800-65	IC	LA7910				
IC1771	8-759-140-66	IC	UPD4066BC				
IC1772	8-759-102-37	IC	UPD4052BC				
IC1773	8-759-102-37	IC	UPD4052BC				
IC1774	8-759-989-69	IC	SN74LS86AN				
IC1775	8-759-901-38	IC	SN74LS138N				
IC1776	8-759-900-09	IC	SN74LS09N				
IC1777	8-759-710-40	IC	NJM2234D				
IC1778	8-759-710-40	IC	NJM2234D				
<COIL>							
L1801	1-408-404-00	INDUCTOR	3.9UH				
L1802	1-408-404-00	INDUCTOR	3.9UH				
L1803	1-408-404-00	INDUCTOR	3.9UH				
<TRANSISTOR>							
Q1773	8-729-119-76	TRANSISTOR	2SA1175-HFE				
Q1774	8-729-119-78	TRANSISTOR	2SC2785-HFE				
Q1775	8-729-119-76	TRANSISTOR	2SA1175-HFE				
Q1776	8-729-119-78	TRANSISTOR	2SC2785-HFE				
Q1777	8-729-119-78	TRANSISTOR	2SC2785-HFE				
Q1780	8-729-119-76	TRANSISTOR	2SA1175-HFE				
Q1781	8-729-119-78	TRANSISTOR	2SC2785-HFE				
Q1784	8-729-900-89	TRANSISTOR	DTC144ES				
Q1785	8-729-119-78	TRANSISTOR	2SC2785-HFE				
Q1786	8-729-119-78	TRANSISTOR	2SC2785-HFE				
Q1787	8-729-140-96	TRANSISTOR	2SD774-34				
Q1788	8-729-119-76	TRANSISTOR	2SA1175-HFE				
Q1789	8-729-119-78	TRANSISTOR	2SC2785-HFE				
Q1794	8-729-119-78	TRANSISTOR	2SC2785-HFE				
Q1795	8-729-119-78	TRANSISTOR	2SC2785-HFE				
Q1796	8-729-119-78	TRANSISTOR	2SC2785-HFE				
Q1797	8-729-119-78	TRANSISTOR	2SC2785-HFE				
Q1798	8-729-119-76	TRANSISTOR	2SA1175-HFE				
Q1799	8-729-119-78	TRANSISTOR	2SC2785-HFE				
Q1802	8-729-900-36	TRANSISTOR	DTC124ES				
Q1803	8-729-119-78	TRANSISTOR	2SC2785-HFE				
Q1804	8-729-119-78	TRANSISTOR	2SC2785-HFE				
Q1805	8-729-119-78	TRANSISTOR	2SC2785-HFE				
Q1806	8-729-119-78	TRANSISTOR	2SC2785-HFE				
Q1807	8-729-119-78	TRANSISTOR	2SC2785-HFE				
Q1808	8-729-119-78	TRANSISTOR	2SC2785-HFE				
Q1809	8-729-119-78	TRANSISTOR	2SC2785-HFE				
Q1810	8-729-119-78	TRANSISTOR	2SC2785-HFE				
Q1811	8-729-119-78	TRANSISTOR	2SC2785-HFE				
Q1812	8-729-119-78	TRANSISTOR	2SC2785-HFE				
Q1813	8-729-119-78	TRANSISTOR	2SC2785-HFE				
Q1814	8-729-119-78	TRANSISTOR	2SC2785-HFE				
Q1815	8-729-119-78	TRANSISTOR	2SC2785-HFE				
Q1816	8-729-119-78	TRANSISTOR	2SC2785-HFE				
Q1817	8-729-119-78	TRANSISTOR	2SC2785-HFE				
Q1818	8-729-900-36	TRANSISTOR	DTC124ES				
Q1819	8-729-900-36	TRANSISTOR	DTC124ES				
Q1820	8-729-900-36	TRANSISTOR	DTC124ES				
Q1822	8-729-119-78	TRANSISTOR	2SC2785-HFE				
Q1823	8-729-119-78	TRANSISTOR	2SC2785-HFE				
Q1825	8-729-119-78	TRANSISTOR	2SC2785-HFE				
Q1826	8-729-119-78	TRANSISTOR	2SC2785-HFE				
Q1827	8-729-119-78	TRANSISTOR	2SC2785-HFE				
Q1831	8-729-900-36	TRANSISTOR	DTC124ES				
Q1832	8-729-119-78	TRANSISTOR	2SC2785-HFE				
Q1891	8-729-900-36	TRANSISTOR	DTC124ES				
Q1900	8-729-119-78	TRANSISTOR	2SC2785-HFE				
<CONNECTOR>							
QB11	*1-566-058-11	PIN, CONNECTOR	6P				
QB12	*1-566-056-11	PIN, CONNECTOR	4P				
QB13	*1-566-056-11	PIN, CONNECTOR	4P				
QB14	*1-566-054-11	PIN, CONNECTOR	2P				
QB15	*1-566-057-11	PIN, CONNECTOR	5P				
QB16	*1-566-056-11	PIN, CONNECTOR	4P				
QB17	*1-566-059-11	PIN, CONNECTOR	7P				
QB21	*1-566-055-11	PIN, CONNECTOR	3P				
QB22	*1-566-057-11	PIN, CONNECTOR	5P				
QB23	*1-566-054-11	PIN, CONNECTOR	2P				

**PVM-2730QM**  
**RM-668**
**QB**

REF. NO.	PART NO.	DESCRIPTION	REMARK	REF. NO.	PART NO.	DESCRIPTION	REMARK
<RESISTOR>							
R1771	1-249-469-11	CARBON	100K 5% 1/4W	R1854	1-249-416-11	CARBON	820 5% 1/4W
R1776	1-249-405-11	CARBON	100 5% 1/4W	R1855	1-249-417-11	CARBON	1K 5% 1/4W
R1777	1-249-405-11	CARBON	100 5% 1/4W	R1856	1-249-417-11	CARBON	1K 5% 1/4W
R1778	1-249-405-11	CARBON	100 5% 1/4W	R1857	1-247-713-11	CARBON	1K 5% 1/4W
R1779	1-249-441-11	CARBON	100K 5% 1/4W	R1858	1-249-433-11	CARBON	22K 5% 1/4W
				R1859	1-249-417-11	CARBON	1K 5% 1/4W
R1780	1-249-433-11	CARBON	22K 5% 1/4W	R1860	1-249-429-11	CARBON	10K 5% 1/4W
R1781	1-249-441-11	CARBON	100K 5% 1/4W	R1861	1-249-417-11	CARBON	1K 5% 1/4W
R1782	1-249-425-11	CARBON	4.7K 5% 1/4W	R1862	1-249-417-11	CARBON	1K 5% 1/4W
R1783	1-249-469-11	CARBON	100K 5% 1/4W	R1863	1-249-433-11	CARBON	22K 5% 1/4W
R1784	1-249-433-11	CARBON	22K 5% 1/4W	R1864	1-249-417-11	CARBON	1K 5% 1/4W
R1785	1-249-441-11	CARBON	100K 5% 1/4W	R1865	1-249-425-11	CARBON	4.7K 5% 1/4W
R1786	1-249-441-11	CARBON	100K 5% 1/4W	R1866	1-249-412-11	CARBON	390 5% 1/4W
R1787	1-249-433-11	CARBON	22K 5% 1/4W	R1867	1-249-417-11	CARBON	1K 5% 1/4W
R1789	1-249-401-11	CARBON	47 5% 1/4W	R1868	1-249-412-11	CARBON	390 5% 1/4W
R1793	1-249-417-11	CARBON	1K 5% 1/4W	R1869	1-249-421-11	CARBON	2.2K 5% 1/4W
R1794	1-247-895-00	CARBON	470K 5% 1/4W	R1870	1-249-421-11	CARBON	2.2K 5% 1/4W
R1795	1-249-422-11	CARBON	2.7K 5% 1/4W	R1871	1-249-421-11	CARBON	2.2K 5% 1/4W
R1796	1-249-440-11	CARBON	82K 5% 1/4W	R1872	1-249-433-11	CARBON	22K 5% 1/4W
R1797	1-249-434-11	CARBON	27K 5% 1/4W	R1873	1-249-429-11	CARBON	10K 5% 1/4W
R1798	1-249-425-11	CARBON	4.7K 5% 1/4W	R1874	1-249-413-11	CARBON	470 5% 1/4W
R1799	1-249-419-11	CARBON	1.5K 5% 1/4W	R1875	1-247-842-11	CARBON	3K 5% 1/4W
R1804	1-249-429-11	CARBON	10K 5% 1/4W	R1876	1-249-420-11	CARBON	1.8K 5% 1/4W
R1805	1-247-725-11	CARBON	10K 5% 1/4W	R1877	1-247-725-11	CARBON	10K 5% 1/4W
R1806	1-249-406-11	CARBON	120 5% 1/4W	R1879	1-249-469-11	CARBON	100K 5% 1/4W
R1807	1-249-426-11	CARBON	5.6K 5% 1/4W	R1880	1-249-417-11	CARBON	1K 5% 1/4W
R1808	1-249-426-11	CARBON	5.6K 5% 1/4W	R1881	1-249-422-11	CARBON	2.7K 5% 1/4W
R1809	1-249-408-11	CARBON	180 5% 1/4W	R1882	1-249-417-11	CARBON	1K 5% 1/4W
R1810	1-247-832-11	CARBON	1.1K 5% 1/4W	R1883	1-249-433-11	CARBON	22K 5% 1/4W
R1811	1-249-413-11	CARBON	470 5% 1/4W	R1884	1-249-417-11	CARBON	1K 5% 1/4W
R1813	1-249-413-11	CARBON	470 5% 1/4W	R1885	1-249-416-11	CARBON	820 5% 1/4W
R1814	1-249-413-11	CARBON	470 5% 1/4W	R1886	1-249-417-11	CARBON	1K 5% 1/4W
R1820	1-249-406-11	CARBON	120 5% 1/4W	R1888	1-249-417-11	CARBON	1K 5% 1/4W
R1821	1-249-406-11	CARBON	120 5% 1/4W	R1892	1-249-415-11	CARBON	680 5% 1/4W
R1822	1-249-406-11	CARBON	120 5% 1/4W	R1893	1-249-433-11	CARBON	22K 5% 1/4W
R1823	1-249-406-11	CARBON	120 5% 1/4W	R1894	1-249-428-11	CARBON	8.2K 5% 1/4W
R1824	1-247-881-00	CARBON	120K 5% 1/4W	R1896	1-249-415-11	CARBON	680 5% 1/4W
R1825	1-247-881-00	CARBON	120K 5% 1/4W	R1898	1-249-426-11	CARBON	5.6K 5% 1/4W
R1826	1-247-881-00	CARBON	120K 5% 1/4W	R1899	1-249-426-11	CARBON	5.6K 5% 1/4W
R1827	1-249-429-11	CARBON	10K 5% 1/4W	R1901	1-249-429-11	CARBON	10K 5% 1/4W
R1828	1-249-417-11	CARBON	1K 5% 1/4W	R1902	1-249-417-11	CARBON	1K 5% 1/4W
R1829	1-249-429-11	CARBON	10K 5% 1/4W	R1903	1-249-412-11	CARBON	390 5% 1/4W
R1830	1-249-429-11	CARBON	10K 5% 1/4W	R1920	1-249-429-11	CARBON	10K 5% 1/4W
R1831	1-249-417-11	CARBON	1K 5% 1/4W	R1921	1-249-424-11	CARBON	3.9K 5% 1/4W
R1832	1-249-429-11	CARBON	10K 5% 1/4W	R1922	1-249-424-11	CARBON	3.9K 5% 1/4W
R1833	1-249-429-11	CARBON	10K 5% 1/4W	R1923	1-249-421-11	CARBON	2.2K 5% 1/4W
R1834	1-249-417-11	CARBON	1K 5% 1/4W	R1925	1-249-440-11	CARBON	82K 5% 1/4W
R1835	1-249-428-11	CARBON	8.2K 5% 1/4W	R1926	1-249-440-11	CARBON	82K 5% 1/4W
R1836	1-249-422-11	CARBON	2.7K 5% 1/4W	R1927	1-249-440-11	CARBON	82K 5% 1/4W
R1837	1-249-417-11	CARBON	1K 5% 1/4W	R1929	1-247-722-11	CARBON	5.6K 5% 1/4W
R1838	1-249-426-11	CARBON	5.6K 5% 1/4W	R1930	1-247-714-11	CARBON	1.2K 5% 1/4W
R1839	1-249-426-11	CARBON	5.6K 5% 1/4W	R1931	1-249-417-11	CARBON	1K 5% 1/4W
R1841	1-249-433-11	CARBON	22K 5% 1/4W	R1932	1-249-417-11	CARBON	1K 5% 1/4W
R1842	1-249-433-11	CARBON	22K 5% 1/4W	R1935	1-249-428-11	CARBON	8.2K 5% 1/4W
R1843	1-249-462-11	CARBON	22K 5% 1/4W	R1936	1-249-459-11	CARBON	12K 5% 1/4W
R1844	1-249-405-11	CARBON	100 5% 1/4W	R1937	1-249-428-11	CARBON	8.2K 5% 1/4W
R1845	1-249-433-11	CARBON	22K 5% 1/4W	R1938	1-249-428-11	CARBON	8.2K 5% 1/4W
R1846	1-247-714-11	CARBON	1.2K 5% 1/4W	R1939	1-249-428-11	CARBON	8.2K 5% 1/4W
R1847	1-249-437-11	CARBON	47K 5% 1/4W	R1940	1-249-428-11	CARBON	8.2K 5% 1/4W
R1848	1-249-428-11	CARBON	8.2K 5% 1/4W	R1950	1-249-428-11	CARBON	8.2K 5% 1/4W
R1849	1-249-465-11	CARBON	47K 5% 1/4W	R1951	1-249-429-11	CARBON	10K 5% 1/4W
R1850	1-249-428-11	CARBON	8.2K 5% 1/4W	R1953	1-249-423-11	CARBON	3.3K 5% 1/4W
R1851	1-249-465-11	CARBON	47K 5% 1/4W	R1965	1-247-712-11	CARBON	820 5% 1/4W
R1852	1-249-428-11	CARBON	8.2K 5% 1/4W				
R1853	1-249-416-11	CARBON	820 5% 1/4W				

**PVM-2730QM**  
**RM-668**
**C D2**

REF. NO.	PART NO.	DESCRIPTION	REMARK	REF. NO.	PART NO.	DESCRIPTION	REMARK
R716	1-216-486-00	METAL OXIDE	8.2K 5% 3W F	*A-1340-940-A	D2 BOARD, COMPLETE		
R717	1-249-409-11	CARBON	220 5% 1/4W		*****		
R718	1-249-429-11	CARBON	10K 5% 1/4W				
R719	1-249-429-11	CARBON	10K 5% 1/4W				
R720	1-216-486-00	METAL OXIDE	8.2K 5% 3W F		<CAPACITOR>		
R721	1-249-409-11	CARBON	220 5% 1/4W	C2501	1-106-351-00	MYLAR 0.0022MF	10% 100V
R722	1-249-405-11	CARBON	100 5% 1/4W	C2502	1-108-632-11	MYLAR 0.033MF	10% 100V
R723	1-247-700-11	CARBON	100 5% 1/4W	C2503	1-108-620-11	MYLAR 0.0033MF	10% 100V
R724	1-249-405-11	CARBON	100 5% 1/4W	C2504	1-102-074-00	CERAMIC 0.001MF	10% 50V
R725	1-249-429-11	CARBON	10K 5% 1/4W	C2505	1-108-626-11	MYLAR 0.01MF	10% 100V
R726	1-249-408-11	CARBON	180 5% 1/4W	C2506	1-108-620-11	MYLAR 0.0033MF	10% 100V
R727	1-249-429-11	CARBON	10K 5% 1/4W	C2507	1-108-626-11	MYLAR 0.01MF	10% 100V
R728	1-247-812-11	CARBON	160 5% 1/4W	C2508	1-123-379-00	ELECT 0.47MF	20% 50V
R729	1-249-441-11	CARBON	100K 5% 1/4W	C2509	1-123-356-00	ELECT 10MF	20% 50V
R730	1-247-812-11	CARBON	160 5% 1/4W	C2510	1-123-356-00	ELECT 10MF	20% 50V
R731	1-247-719-11	CARBON	3.3K 5% 1/4W F	C2511	1-123-359-00	ELECT 47MF	20% 50V
R732	1-247-719-11	CARBON	3.3K 5% 1/4W F	C2512	1-123-359-00	ELECT 47MF	20% 50V
R733	1-247-719-11	CARBON	3.3K 5% 1/4W F	C2513	1-123-357-00	ELECT 22MF	20% 50V
R734	1-247-714-11	CARBON	1.2K 5% 1/4W	C2514	1-123-361-00	ELECT 220MF	20% 50V
R735	1-247-714-11	CARBON	1.2K 5% 1/4W	C2515	1-123-333-00	ELECT 100MF	20% 25V
R736	1-247-134-00	CARBON	1.3K 5% 1/4W	C2516	1-123-360-00	ELECT 100MF	20% 50V
R737	1-249-439-11	CARBON	68K 5% 1/4W	C2517	1-130-736-11	FILM 0.01MF	5% 100V
R739	1-247-881-00	CARBON	120K 5% 1/4W	C2518	1-102-231-11	CERAMIC 47PF	10% 500V
R740	1-215-902-11	METAL OXIDE	47K 5% 2W F	C2520	1-123-380-00	ELECT 1MF	20% 50V
R741	1-249-435-11	CARBON	33K 5% 1/4W	C2521	1-108-816-11	MYLAR 0.1MF	5% 50V
R742	1-247-725-11	CARBON	10K 5% 1/4W F	C2522	1-123-332-00	ELECT 47MF	20% 25V
R743	1-247-725-11	CARBON	10K 5% 1/4W F	C2523	1-108-637-11	MYLAR 0.082MF	10% 100V
R744	1-247-725-11	CARBON	10K 5% 1/4W F	C2524	1-106-393-00	MYLAR 0.12MF	10% 100V
R745	1-247-713-11	CARBON	1K 5% 1/4W F	C2525	1-123-379-00	ELECT 0.47MF	20% 50V
R746	1-215-902-11	METAL OXIDE	47K 5% 1W F	C2526	1-108-634-11	MYLAR 0.047MF	10% 100V
R747	1-247-725-11	CARBON	10K 5% 1/4W F	C2527	1-108-614-11	MYLAR 0.001MF	10% 100V
R751	1-249-409-11	CARBON	220 5% 1/4W	C2530	1-108-640-11	MYLAR 0.15MF	10% 100V
R752	1-249-409-11	CARBON	220 5% 1/4W	C2532	1-108-626-11	MYLAR 0.01MF	10% 100V
R753	1-249-418-11	CARBON	1.2K 5% 1/4W	C2535	1-106-375-12	MYLAR 0.022MF	10% 100V
R754	1-249-412-11	CARBON	390 5% 1/4W	C2536	1-123-379-00	ELECT 0.47MF	20% 50V
R755	1-215-871-11	METAL OXIDE	2.2K 5% 1W F	C2537	1-123-332-00	ELECT 47MF	20% 25V
R756	1-249-414-11	CARBON	560 5% 1/4W	C2538	1-123-369-00	ELECT 4.7MF	20% 50V
R757	1-249-426-11	CARBON	5.6K 5% 1/4W		<CONNECTOR>		
R758	1-249-435-11	CARBON	33K 5% 1/4W	D21	*1-566-058-11	PIN, CONNECTOR 6P	
R759	1-249-393-11	CARBON	10 5% 1/4W F	D22	*1-508-767-00	PIN, CONNECTOR (5MM PITCH) 5P	
R760	1-249-411-11	CARBON	330 5% 1/4W	D23	*1-508-766-00	PIN, CONNECTOR (5MM PITCH) 4P	
R761	1-249-409-11	CARBON	220 5% 1/4W	D24	*1-508-765-00	PIN, CONNECTOR (5MM PITCH) 3P	
R762	1-249-409-11	CARBON	220 5% 1/4W	D25	*1-508-784-00	PIN, CONNECTOR (5MM PITCH) 1P	
R763	1-249-437-11	CARBON	47K 5% 1/4W	D26	*1-566-054-11	PIN, CONNECTOR 2P	
R764	1-249-397-11	CARBON	22 5% 1/4W F		<DIODE>		
R765	1-249-417-11	CARBON	1K 5% 1/4W	D2501	8-719-911-19	DIODE 1SS119	
R766	1-249-435-11	CARBON	33K 5% 1/4W	D2502	8-719-911-55	DIODE U05G	
R767	1-249-441-11	CARBON	100K 5% 1/4W	D2503	8-719-911-55	DIODE U05G	
R768	1-249-435-11	CARBON	33K 5% 1/4W	D2504	8-719-911-19	DIODE 1SS119	
R769	1-249-417-11	CARBON	1K 5% 1/4W	D2505	8-719-911-19	DIODE 1SS119	
R770	1-249-389-11	CARBON	4.7 5% 1/4W F	D2506	8-719-911-55	DIODE U05G	
R771	1-249-389-11	CARBON	4.7 5% 1/4W F	D2507	8-719-110-53	DIODE RD20ES-B2	
R772	1-249-402-11	CARBON	56 5% 1/4W		<COIL>		
RV701	1-226-157-00	RES, ADJ, METAL GLAZE 1M		L2501	1-410-748-11	INDUCTOR 15MMH	
RV703	1-228-729-00	RES, ADJ, CERAMIC CARBON 220K		L2502	1-459-119-00	COIL, DUST CORE (ARC)	
RV705	1-228-728-00	RES, ADJ, CERAMIC CARBON 100K		L2503	1-407-504-00	INDUCTOR 10MMH	
RV706	1-228-724-00	RES, ADJ, CERAMIC CARBON 10K		L2504	1-459-583-11	COIL (WITH CORE)	
				L2505	1-443-012-00	TRANSFORMER, DYNAMIC CONVERSION	
				L2506	1-459-123-00	COIL, DUST CORE (PAC)	



PVM-2730QM  
RM-668



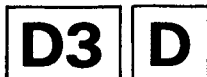
REF.NO.	PART NO.	DESCRIPTION	REMARK	REF.NO.	PART NO.	DESCRIPTION	REMARK
R1966	1-247-712-11	CARBON 820 5% 1/4W		D706	8-719-911-19	DIODE 1SS119	
R1967	1-247-712-11	CARBON 820 5% 1/4W		D707	8-719-911-19	DIODE 1SS119	
R1968	1-247-881-00	CARBON 120K 5% 1/4W		D708	8-719-911-19	DIODE 1SS119	
R1969	1-249-440-11	CARBON 82K 5% 1/4W		D709	8-719-911-19	DIODE 1SS119	
R1971	1-249-417-11	CARBON 1K 5% 1/4W		D710	8-719-901-83	DIODE 1SS83	
R1972	1-249-417-11	CARBON 1K 5% 1/4W		D711	8-719-901-83	DIODE 1SS83	
R1973	1-249-417-11	CARBON 1K 5% 1/4W		D712	8-719-901-83	DIODE 1SS83	
R1974	1-249-417-11	CARBON 1K 5% 1/4W		D713	8-719-901-83	DIODE 1SS83	
R1978	1-249-405-11	CARBON 100 5% 1/4W		D751	8-719-911-19	DIODE 1SS119	
*****				*****			
*A-1330-789-A C BOARD, COMPLETE				<COIL>			
*****				L701	1-408-092-00	INDUCTOR	330UH
1-526-644-71 SOCKET, PICTURE TUBE				L702	1-407-708-00	INDUCTOR	180UH
<CONNECTOR>				L703	1-407-708-00	INDUCTOR	180UH
C1	*1-506-371-00	PIN, CONNECTOR 2P		L704	1-408-121-00	INDUCTOR	22UH
C2	*1-566-054-11	PIN, CONNECTOR 2P		L705	1-408-121-00	INDUCTOR	22UH
C3	*1-566-055-11	PIN, CONNECTOR 3P		L706	1-408-088-00	INDUCTOR	220UH
C5	*1-566-061-11	PIN, CONNECTOR 9P		L707	1-408-121-00	INDUCTOR	22UH
C6	*1-566-054-11	PIN, CONNECTOR 2P		L721	1-408-413-00	INDUCTOR	22UH
C7	*1-508-768-00	PIN, CONNECTOR (5MM PITCH) 6P		L751	1-408-399-00	INDUCTOR	1.5UH
<CAPACITOR>				<TRANSISTOR>			
C701	1-162-115-00	CERAMIC 330PF 10% 2KV		Q701	8-729-326-11	TRANSISTOR 2SC2611	
C702	1-129-779-00	FILM 0.022MF 20% 1KV		Q702	8-729-178-55	TRANSISTOR 2SC2785-E	
C703	1-124-927-11	ELECT 4.7MF 20% 100V		Q703	8-729-200-17	TRANSISTOR 2SA1091-0	
C704	1-123-948-00	ELECT 22MF 20% 250V		Q704	8-729-326-11	TRANSISTOR 2SC2611	
C705	1-108-704-11	MYLAR 0.1MF 10% 200V		Q705	8-729-178-55	TRANSISTOR 2SC2785-E	
C706	1-108-704-11	MYLAR 0.1MF 10% 200V		Q706	8-729-200-17	TRANSISTOR 2SA1091-0	
C707	1-102-116-00	CERAMIC 680PF 10% 50V		Q707	8-729-200-17	TRANSISTOR 2SA1091-0	
C708	1-102-116-00	CERAMIC 680PF 10% 50V		Q708	8-729-326-11	TRANSISTOR 2SC2611	
C709	1-102-116-00	CERAMIC 680PF 10% 50V		Q709	8-729-178-55	TRANSISTOR 2SC2785-E	
C710	1-102-115-00	CERAMIC 560PF 10% 50V		Q710	8-729-255-12	TRANSISTOR 2SC2551-0	
C711	1-123-356-00	ELECT 10MF 20% 25V		Q712	8-729-255-12	TRANSISTOR 2SC2551-0	
C712	1-102-116-00	CERAMIC 680PF 10% 50V		Q714	8-729-200-17	TRANSISTOR 2SA1091-0	
C713	1-102-116-00	CERAMIC 680PF 10% 50V		Q715	8-729-200-17	TRANSISTOR 2SA1091-0	
C714	1-123-321-00	ELECT 220MF 20% 16V		Q716	8-729-200-17	TRANSISTOR 2SA1091-0	
C715	1-102-125-00	CERAMIC 0.0047MF 10% 50V		Q751	8-729-178-55	TRANSISTOR 2SC2785-E	
C718	1-102-125-00	CERAMIC 0.0047MF 10% 50V		Q752	8-729-178-55	TRANSISTOR 2SC2785-E	
C723	1-108-634-11	MYLAR 0.047MF 10% 100V		Q753	8-729-178-55	TRANSISTOR 2SC2785-E	
C753	1-102-971-00	CERAMIC 82PF 5% 50V		Q754	8-729-140-96	TRANSISTOR 2SD774-34	
C754	1-108-617-11	MYLAR 0.0018MF 10% 100V		Q755	8-729-178-55	TRANSISTOR 2SC2785-E	
C755	1-123-356-00	ELECT 10MF 20% 25V		Q756	8-729-140-97	TRANSISTOR 2SB734-34	
C756	1-108-626-11	MYLAR 0.01MF 10% 100V		Q757	8-729-140-96	TRANSISTOR 2SD774-34	
C757	1-108-626-11	MYLAR 0.01MF 10% 100V		<RESISTOR>			
C758	1-102-963-00	CERAMIC 33PF 5% 50V		R701	1-216-341-11	METAL OXIDE 0.22 5% 1W	F
C759	1-102-963-00	CERAMIC 33PF 5% 50V		R702	1-202-846-00	SOLID 470K 10% 1/2W	
C760	1-108-614-11	MYLAR 0.001MF 10% 100V		R703	1-202-844-00	SOLID 330K 10% 1/2W	
C762	1-136-177-00	FILM 1MF 5% 50V		R704	1-202-815-11	SOLID 47K 10% 1/2W	
C763	1-123-356-00	ELECT 10MF 20% 50V		R705	1-202-846-00	SOLID 470K 10% 1/2W	
C764	1-108-638-11	MYLAR 0.1MF 10% 100V		R706	1-202-720-00	SOLID 1.2M 10% 1/2W	
C765	1-123-380-00	ELECT 1MF 20% 50V		R707	1-202-842-11	SOLID 220K 10% 1/2W	
C766	1-124-122-11	ELECT 100MF 20% 50V		R708	1-202-818-00	SOLID 1K 10% 1/2W	
<DIODE>				R709	1-202-818-00	SOLID 1K 10% 1/2W	
D701	8-719-911-19	DIODE 1SS119		R710	1-202-818-00	SOLID 1K 10% 1/2W	
D702	8-719-911-19	DIODE 1SS119		R711	1-202-549-00	SOLID 100 10% 1/2W	
D703	8-719-911-19	DIODE 1SS119		R712	1-202-543-00	SOLID 56 10% 1/2W	
D704	8-719-911-19	DIODE 1SS119		R713	1-216-486-00	METAL OXIDE 8.2K 5% 3W	F
D705	8-719-911-19	DIODE 1SS119		R714	1-249-409-11	CARBON 220 5% 1/4W	
				R715	1-249-429-11	CARBON 10K 5% 1/4W	

PVM-2730QM  
RM-668

D2 D3

REF.NO.	PART NO.	DESCRIPTION	REMARK	REF.NO.	PART NO.	DESCRIPTION	REMARK
<TRANSISTOR>							
Q2501	8-729-178-55	TRANSISTOR 2SC2785-E		R2554	1-247-895-00	CARBON 470K 5%	1/4W
Q2502	8-729-178-55	TRANSISTOR 2SC2785-E		R2555	1-249-424-11	CARBON 3.9K 5%	1/4W
Q2503	8-729-178-55	TRANSISTOR 2SC2785-E		R2556	1-249-425-11	CARBON 4.7K 5%	1/4W
Q2504	8-729-178-55	TRANSISTOR 2SC2785-E		R2557	1-249-429-11	CARBON 10K 5%	1/4W
Q2505	8-729-178-55	TRANSISTOR 2SC2785-E		R2558	1-249-425-11	CARBON 4.7K 5%	1/4W
Q2506	8-729-122-03	TRANSISTOR 2SA1220A-P		R2559	1-249-429-11	CARBON 10K 5%	1/4W
Q2507	8-729-169-02	TRANSISTOR 2SC2690A-Q		R2560	1-249-430-11	CARBON 12K 5%	1/4W
Q2510	8-729-195-82	TRANSISTOR 2SC2958-L		R2561	1-249-429-11	CARBON 10K 5%	1/4W
Q2511	8-729-119-76	TRANSISTOR 2SA1175-HFE		R2562	1-247-704-11	CARBON 220 5%	1/4W
Q2512	8-729-122-03	TRANSISTOR 2SA1220A-P		R2563	1-249-425-11	CARBON 4.7K 5%	1/4W
Q2515	8-729-119-76	TRANSISTOR 2SA1175-HFE		R2564	1-249-437-11	CARBON 47K 5%	1/4W
Q2516	8-729-178-55	TRANSISTOR 2SC2785-E		R2565	1-249-441-11	CARBON 100K 5%	1/4W
<RESISTOR>				<VARIABLE RESISTOR>			
R2501	1-249-435-11	CARBON 33K 5%	1/4W	RV2501	1-228-727-00	RES, ADJ, CERAMIC CARBON	47K
R2502	1-249-429-11	CARBON 10K 5%	1/4W	RV2502	1-228-727-00	RES, ADJ, CERAMIC CARBON	47K
R2503	1-249-435-11	CARBON 33K 5%	1/4W	RV2503	1-228-727-00	RES, ADJ, CERAMIC CARBON	47K
R2504	1-249-429-11	CARBON 10K 5%	1/4W	RV2504	1-228-724-00	RES, ADJ, CERAMIC CARBON	10K
R2505	1-249-420-11	CARBON 1.8K 5%	1/4W	RV2505	1-228-724-00	RES, ADJ, CERAMIC CARBON	10K
R2506	1-249-429-11	CARBON 10K 5%	1/4W	<TRANSFORMER>			
R2507	1-249-437-11	CARBON 47K 5%	1/4W	T2501	1-407-849-00	TRANSFORMER, D.F	
R2508	1-249-437-11	CARBON 47K 5%	1/4W	*****			
R2509	1-249-418-11	CARBON 1.2K 5%	1/4W	*A-1340-941-A	D3 BOARD, COMPLETE		
R2510	1-249-438-11	CARBON 56K 5%	1/4W	*****			
R2511	1-249-439-11	CARBON 68K 5%	1/4W	*1-566-054-11	PIN, CONNECTOR 2P		
R2512	1-249-429-11	CARBON 10K 5%	1/4W	*1-566-057-11	PIN, CONNECTOR 5P		
R2513	1-249-417-11	CARBON 1K 5%	1/4W	*1-566-058-11	PIN, CONNECTOR 6P		
R2514	1-247-700-11	CARBON 100 5%	1/4W	<CAPACITOR>			
R2515	1-249-439-11	CARBON 68K 5%	1/4W	C2601	1-124-598-11	ELECT 22MF	20% 25V
R2516	1-249-425-11	CARBON 4.7K 5%	1/4W	C2602	1-123-381-00	ELECT 2.2MF	20% 50V
R2517	1-249-439-11	CARBON 68K 5%	1/4W	C2603	1-123-381-00	ELECT 2.2MF	20% 50V
R2518	1-249-439-11	CARBON 68K 5%	1/4W	C2604	1-123-369-00	ELECT 4.7MF	20% 50V
R2519	1-249-437-11	CARBON 47K 5%	1/4W	C2606	1-101-004-00	CERAMIC 0.01MF	50V
R2520	1-249-421-11	CARBON 2.2K 5%	1/4W	C2607	1-123-333-00	ELECT 100MF	20% 25V
R2521	1-249-439-11	CARBON 68K 5%	1/4W	C2608	1-123-381-00	ELECT 2.2MF	20% 50V
R2522	1-249-430-11	CARBON 12K 5%	1/4W	C2609	1-124-598-11	ELECT 22MF	20% 25V
R2523	1-249-423-11	CARBON 3.3K 5%	1/4W	C2610	1-126-163-11	ELECT 4.7MF	20% 50V
R2524	1-249-426-11	CARBON 5.6K 5%	1/4W	C2611	1-124-261-00	ELECT 10MF	20% 50V
R2525	1-249-417-11	CARBON 1K 5%	1/4W	C2612	1-126-163-11	ELECT 4.7MF	20% 50V
R2526	1-249-423-11	CARBON 3.3K 5%	1/4W	C2613	1-126-163-11	ELECT 4.7MF	20% 50V
R2527	1-249-433-11	CARBON 22K 5%	1/4W	C2615	1-101-004-00	CERAMIC 0.01MF	50V
R2528	1-249-425-11	CARBON 4.7K 5%	1/4W	C2616	1-124-598-11	ELECT 22MF	20% 25V
R2529	1-249-433-11	CARBON 22K 5%	1/4W	C2617	1-124-598-11	ELECT 22MF	20% 25V
R2530	1-249-423-11	CARBON 3.3K 5%	1/4W	C2618	1-124-598-11	ELECT 22MF	20% 25V
R2531	1-249-401-11	CARBON 47 5%	1/4W	<DIODE>			
R2532	1-249-401-11	CARBON 47 5%	1/4W	D2601	8-719-016-42	DIODE MC932	
R2533	1-249-399-11	CARBON 33 5%	1/4W	D2602	8-719-016-42	DIODE MC932	
R2534	1-249-429-11	CARBON 10K 5%	1/4W	D2603	8-719-110-60	DIODE RD24ES-B	
R2540	1-249-434-11	CARBON 27K 5%	1/4W	D2604	8-719-911-19	DIODE ISS119	
R2541	1-247-883-00	CARBON 150K 5%	1/4W	<IC>			
R2542	1-216-426-11	METAL OXIDE 82 5%	1W	IC2601	8-759-981-95	IC RC4558S	
R2543	1-212-960-00	FUSIBLE 12 5%	1/2W	IC2602	8-759-909-70	IC CX23025	
R2544	1-215-884-11	METAL OXIDE 47 5%	2W				
R2545	1-249-421-11	CARBON 2.2K 5%	1/4W				
R2546	1-247-706-11	CARBON 330 5%	1/4W				
R2547	1-249-435-11	CARBON 33K 5%	1/4W				
R2548	1-249-439-11	CARBON 68K 5%	1/4W				
R2549	1-249-441-11	CARBON 100K 5%	1/4W				
R2550	1-249-424-11	CARBON 3.9K 5%	1/4W				

**PVM-2730QM**  
RM-668



REF. NO.	PART NO.	DESCRIPTION	REMARK	REF. NO.	PART NO.	DESCRIPTION	REMARK
<TRANSISTOR>				<VARIABLE RESISTOR>			
Q2601	8-729-119-78	TRANSISTOR 2SC2785-HFE		RV2601	1-228-728-00	RES, ADJ, CERAMIC CARBON 100K	
Q2602	8-729-900-36	TRANSISTOR DTC124ES		RV2602	1-228-728-00	RES, ADJ, CERAMIC CARBON 100K	
Q2603	8-729-119-78	TRANSISTOR 2SC2785-HFE		RV2603	1-228-724-00	RES, ADJ, CERAMIC CARBON 10K	
Q2604	8-729-119-78	TRANSISTOR 2SC2785-HFE		RV2604	1-228-724-00	RES, ADJ, CERAMIC CARBON 10K	
Q2605	8-729-119-78	TRANSISTOR 2SC2785-HFE		RV2605	1-228-725-00	RES, ADJ, CERAMIC CARBON 22K	
Q2606	8-729-119-78	TRANSISTOR 2SC2785-HFE		RV2606	1-228-727-00	RES, ADJ, CERAMIC CARBON 47K	
Q2607	8-729-105-73	TRANSISTOR 2SK523-L2		RV2607	1-228-993-00	RES, ADJ, CARBON 4.7K	
Q2608	8-729-119-78	TRANSISTOR 2SC2785-HFE		*****			
<RESISTOR>				*A-1345-699-A D BOARD, COMPLETE			
*****				*****			
R2601	1-249-438-11	CARBON	56K 5% 1/4W	<CAPACITOR>			
R2602	1-249-435-11	CARBON	33K 5% 1/4W	C501	1-123-380-00	ELECT	1MF 20% 50V
R2603	1-249-424-11	CARBON	3.9K 5% 1/4W	C502	1-108-622-11	MYLAR	0.0047MF 10% 100V
R2604	1-249-424-11	CARBON	3.9K 5% 1/4W	C503	1-106-351-00	MYLAR	0.0022MF 10% 100V
R2605	1-247-704-11	CARBON	220 5% 1/4W	C504	1-126-103-11	ELECT	470MF 20% 16V
R2609	1-249-441-11	CARBON	100K 5% 1/4W	C505	1-123-379-00	ELECT	0.47MF 20% 50V
R2610	1-249-441-11	CARBON	100K 5% 1/4W	C506	1-124-963-11	ELECT	33MF 20% 16V
R2611	1-247-725-11	CARBON	10K 5% 1/4W	C507	1-123-379-00	ELECT	0.47MF 20% 50V
R2612	1-249-438-11	CARBON	56K 5% 1/4W	C508	1-136-173-00	FILM	0.47MF 5% 50V
R2613	1-247-881-00	CARBON	120K 5% 1/4W	C509	1-123-357-00	ELECT	22MF 20% 50V
R2614	1-249-429-11	CARBON	10K 5% 1/4W	C512	1-136-162-00	FILM	0.056MF 5% 50V
R2615	1-249-429-11	CARBON	10K 5% 1/4W	C514	1-124-517-11	ELECT	470MF 10% 50V
R2616	1-249-429-11	CARBON	10K 5% 1/4W	C515	1-126-233-11	ELECT	22MF 10% 50V
R2617	1-249-429-11	CARBON	10K 5% 1/4W	C516	1-123-336-00	ELECT	470MF 20% 25V
R2618	1-249-429-11	CARBON	10K 5% 1/4W	C520	1-102-244-00	CERAMIC	220PF 10% 500V
R2619	1-249-441-11	CARBON	100K 5% 1/4W	C521	1-126-170-11	ELECT	1000MF 20% 50V
R2620	1-249-441-11	CARBON	100K 5% 1/4W	C522	1-123-875-11	ELECT	10MF 20% 50V
R2622	1-249-429-11	CARBON	10K 5% 1/4W	C523	1-108-704-11	MYLAR	0.1MF 10% 200V
R2623	1-249-429-11	CARBON	10K 5% 1/4W	C524	1-106-381-12	MYLAR	0.039MF 10% 200V
R2624	1-249-417-11	CARBON	1K 5% 1/4W	C525	1-102-244-00	CERAMIC	220PF 10% 500V
R2625	1-249-429-11	CARBON	10K 5% 1/4W	C526	1-124-342-00	ELECT	3.3MF 20% 160V
R2626	1-249-433-11	CARBON	22K 5% 1/4W	C527	1-106-371-00	MYLAR	0.015MF 10% 200V
R2627	1-249-433-11	CARBON	22K 5% 1/4W	C528	1-162-318-11	CERAMIC	0.001MF 10% 500V
R2628	1-249-429-11	CARBON	10K 5% 1/4W	C531	1-123-379-00	ELECT	0.47MF 20% 50V
R2629	1-249-405-11	CARBON	100 5% 1/4W	C545	1-123-330-00	ELECT	22MF 20% 25V
R2630	1-249-405-11	CARBON	100 5% 1/4W	C546	1-123-381-00	ELECT	2.2MF 20% 50V
R2631	1-247-700-11	CARBON	100 5% 1/4W	C547	1-123-333-00	ELECT	100MF 20% 25V
R2632	1-249-423-11	CARBON	3.3K 5% 1/4W	C548	1-123-321-00	ELECT	220MF 20% 16V
R2633	1-249-423-11	CARBON	3.3K 5% 1/4W	C551	1-123-357-00	ELECT	22MF 20% 50V
R2634	1-247-700-11	CARBON	100 5% 1/4W	C552	1-123-356-00	ELECT	10MF 20% 50V
R2635	1-247-722-11	CARBON	5.6K 5% 1/4W	C555	1-123-379-00	ELECT	0.47MF 20% 50V
R2636	1-249-427-11	CARBON	6.8K 5% 1/4W	C556	1-136-175-00	FILM	0.68MF 5% 50V
R2637	1-249-433-11	CARBON	22K 5% 1/4W	C557	1-136-169-00	FILM	0.22MF 5% 50V
R2638	1-249-431-11	CARBON	15K 5% 1/4W	C1501	1-136-161-00	FILM	0.047MF 5% 50V
R2639	1-249-437-11	CARBON	47K 5% 1/4W	C1502	1-108-638-11	MYLAR	0.1MF 10% 100V
R2640	1-249-429-11	CARBON	10K 5% 1/4W	C1503	1-108-628-11	MYLAR	0.015MF 10% 100V
R2642	1-249-424-11	CARBON	3.9K 5% 1/4W	C1504	1-123-330-00	ELECT	22MF 20% 16V
R2643	1-249-423-11	CARBON	3.3K 5% 1/4W	C1505	1-108-626-11	MYLAR	0.01MF 10% 100V
R2644	1-247-885-00	CARBON	180K 5% 1/4W	C1506	1-123-356-00	ELECT	10MF 20% 25V
R2645	1-249-429-11	CARBON	10K 5% 1/4W	C1507	1-123-332-00	ELECT	47MF 20% 25V
R2646	1-249-405-11	CARBON	100 5% 1/4W	C1508	1-130-480-00	FILM	0.0056MF 5% 50V
R2647	1-249-439-11	CARBON	68K 5% 1/4W	C1509	1-123-369-00	ELECT	4.7MF 20% 25V
R2648	1-249-437-11	CARBON	47K 5% 1/4W	C1510	1-102-820-00	CERAMIC	330PF 5% 50V
R2649	1-249-417-11	CARBON	1K 5% 1/4W	C1511	1-123-321-00	ELECT	220MF 20% 16V
R2650	1-249-417-11	CARBON	1K 5% 1/4W	C1512	1-123-379-00	ELECT	0.47MF 20% 50V
R2651	1-247-881-00	CARBON	120K 5% 1/4W	C1520	1-102-125-00	CERAMIC	0.0047MF 10% 50V
				C1521	1-108-631-11	MYLAR	0.027MF 10% 100V
				C1522	1-123-333-00	ELECT	100MF 20% 25V
				C1523	1-102-978-00	CERAMIC	220PF 5% 50V
				C1524	1-108-698-11	MYLAR	0.033MF 10% 200V
				C1525	1-162-117-00	CERAMIC	100PF 10% 500V



**PVM-2730QM**  
RM-668

**D**

The components identified by shading and mark **△** are critical for safety. Replace only with part number specified.

REF. NO.	PART NO.	DESCRIPTION	REMARK	REF. NO.	PART NO.	DESCRIPTION	REMARK
<COIL>				<RESISTOR>			
L501	1-459-060-00	COIL, DYNAMIC CONVERSION CHOKE		R501	1-247-895-00	CARBON 470K 5%	1/4W
L1501	1-408-159-00	COIL, SPOOK CHOKE 3.3UH		R502	1-249-427-11	CARBON 6.8K 5%	1/4W
L1502	1-459-215-00	CORE COIL		R503	1-249-425-11	CARBON 4.7K 5%	1/4W
L1503	1-407-365-00	COIL, CHOKE		R504	1-249-429-11	CARBON 10K 5%	1/4W
L1504	1-407-365-00	COIL, CHOKE		R505	1-249-421-11	CARBON 2.2K 5%	1/4W
L1505	1-407-365-00	COIL, CHOKE		R506	1-249-435-11	CARBON 33K 5%	1/4W
L1506	1-459-104-00	COIL, DUST CORE		R507	1-249-424-11	CARBON 3.9K 5%	1/4W
L1507	1-407-365-00	COIL, CHOKE		R508	1-247-726-11	CARBON 33K 5%	1/4W
L1508△	1-424-059-11	PMC		R509	1-249-428-11	CARBON 8.2K 5%	1/4W
L1510	1-407-365-00	COIL, CHOKE		R510	1-249-431-11	CARBON 15K 5%	1/4W
L1511	1-407-365-00	COIL, CHOKE		R511	1-249-432-11	CARBON 18K 5%	1/4W
L1512△	1-459-308-32	COIL, HORIZONTAL LINEARITY		R512	1-247-858-11	CARBON 13K 5%	1/4W
<IC LINK>				<RESISTOR>			
PS501	1-532-727-11	LINK, IC		R513	1-249-430-11	CARBON 12K 5%	1/4W
<TRANSISTOR>				<RESISTOR>			
Q501	8-729-178-55	TRANSISTOR 2SC2785-E		R514	1-247-876-11	CARBON 75K 5%	1/4W
Q502	8-729-178-55	TRANSISTOR 2SC2785-E		R515	1-249-468-11	CARBON 82K 5%	1/4W
Q503	8-729-119-76	TRANSISTOR 2SA1175-HFE		R516	1-247-713-11	CARBON 1K 5%	1/4W
Q505	8-729-119-76	TRANSISTOR 2SA1175-HFE		R517	1-249-420-11	CARBON 1.8K 5%	1/4W
Q506	8-729-178-55	TRANSISTOR 2SC2785-E		R518	1-247-721-11	CARBON 4.7K 5%	1/4W
Q510	8-729-195-82	TRANSISTOR 2SC2958-L		R519	1-247-715-11	CARBON 1.5K 5%	1/4W
Q511	8-729-122-03	TRANSISTOR 2SA1220A-P		R520	1-249-429-11	CARBON 10K 5%	1/4W
Q512	8-729-169-02	TRANSISTOR 2SC2690A-Q		R521	1-249-434-11	CARBON 27K 5%	1/4W
Q515	8-729-119-76	TRANSISTOR 2SA1175-HFE		R522	1-249-438-11	CARBON 56K 5%	1/4W
Q516	8-729-140-96	TRANSISTOR 2SD774-34		R523	1-214-765-00	METAL 33K 1%	1/4W
Q518	8-729-178-55	TRANSISTOR 2SC2785-E		R525	1-216-353-00	METAL OXIDE 2.2 5%	1W F
Q522	8-729-119-76	TRANSISTOR 2SA1175-HFE		R526	1-249-423-11	CARBON 3.3K 5%	1/4W
Q523	8-729-119-76	TRANSISTOR 2SA1175-HFE		R527	1-249-420-11	CARBON 1.8K 5%	1/4W
Q1501	8-729-119-76	TRANSISTOR 2SA1175-HFE		R528	1-249-413-11	CARBON 470 5%	1/4W
Q1503	8-729-203-81	TRANSISTOR 2SC2238B-0		R529	1-249-414-11	CARBON 560 5%	1/4W
Q1504	8-729-301-74	TRANSISTOR 2SD1497-04		R530	1-247-705-11	CARBON 270 5%	1/4W
	4-374-410-01	SPACER, MICA; Q1504		R536	1-249-393-11	CARBON 10 5%	1/4W F
	*4-374-413-01	RETAINER (A), TR; Q1504		R537	1-249-399-11	CARBON 33 5%	1/4W F
Q1505	8-729-140-96	TRANSISTOR 2SD774-34		R538	1-215-869-11	METAL OXIDE 1K 5%	1W F
Q1506	8-729-140-97	TRANSISTOR 2SB734-34		R539	1-216-350-11	METAL OXIDE 1.2 5%	1W F
Q1507	8-769-330-03	THYRISTOR SG-264A		R540	1-249-405-11	CARBON 100 5%	1/4W F
	3-701-609-00	BUSHING (B), TR; Q1507		R541	1-216-350-11	METAL OXIDE 1.2 5%	1W F
	4-303-844-00	SPACER, MICA (4) MD-17; Q1507		R542	1-215-865-11	METAL OXIDE 220 5%	1W F
	*4-309-762-00	RETAINER (MD-17), TRANSISTOR; Q1507		R543	1-249-382-11	CARBON 1.2 5%	1/4W F
Q1508	8-729-301-74	TRANSISTOR 2SD1497-04		R544	1-215-869-11	METAL OXIDE 1K 5%	1W F
	4-374-410-01	SPACER, MICA; Q1508		R546	1-247-715-11	CARBON 1.5K 5%	1/4W
	*4-374-413-01	RETAINER (A), TR; Q1508		R551	1-216-432-00	METAL OXIDE 820 5%	1W F
Q1511	8-729-140-97	TRANSISTOR 2SB734-34		R552	1-247-720-11	CARBON 3.9K 5%	1/4W
Q1512	8-729-119-76	TRANSISTOR 2SA1175-HFE		R553	1-215-891-11	METAL OXIDE 680 5%	2W F
Q1513	8-729-178-55	TRANSISTOR 2SC2785-E		R554	1-247-721-11	CARBON 4.7K 5%	1/4W
Q1514	8-729-178-55	TRANSISTOR 2SC2785-E		R557	1-247-725-11	CARBON 10K 5%	1/4W
Q1515	8-729-178-55	TRANSISTOR 2SC2785-E		R558	1-249-427-11	CARBON 6.8K 5%	1/4W
Q1520	8-729-119-80	TRANSISTOR 2SC2688-LK		R560	1-249-417-11	CARBON 1K 5%	1/4W
	4-377-115-01	SPACER, MICA; Q1520		R561	1-247-708-11	CARBON 470 5%	1/4W
	*4-381-170-01	HOLDER, TR; Q1520		R562	1-247-704-11	CARBON 220 5%	1/4W
Q1521	8-729-900-36	TRANSISTOR DTC124ES		R563	1-247-704-11	CARBON 220 5%	1/4W
Q1522	8-729-900-36	TRANSISTOR DTC124ES		R564	1-247-711-11	CARBON 680 5%	1/4W
Q1523	8-729-900-36	TRANSISTOR DTC124ES		R581	1-249-427-11	CARBON 6.8K 5%	1/4W
Q1524	8-729-900-36	TRANSISTOR DTC124ES		R582	1-249-441-11	CARBON 100K 5%	1/4W
Q1525	8-729-900-36	TRANSISTOR DTC124ES		R593	1-215-926-00	METAL OXIDE 33K 5%	3W F
Q1526	8-729-900-36	TRANSISTOR DTC124ES		R593A	1-215-926-00	METAL OXIDE 33K 5%	3W F
				R594	1-249-460-11	CARBON 15K 5%	1/4W
				R595	1-249-431-11	CARBON 15K 5%	1/4W
				R596	1-247-146-00	CARBON 4.3K 5%	1/4W
				R597	1-249-461-11	CARBON 18K 5%	1/4W
				R598	1-214-750-00	METAL 7.5K 1%	1/4W
				R599	1-214-741-00	METAL 3.3K 1%	1/4W

**PVM-2730QM**  
RM-668

The components identified by shading and mark  $\Delta$  are critical for safety.  
Replace only with part number specified.

**D**

REF.NO.	PART NO.	DESCRIPTION	REMARK	REF.NO.	PART NO.	DESCRIPTION	REMARK
C1526	1-102-157-00	CERAMIC	560PF 10%	500V	D2	*1-566-055-11	PIN, CONNECTOR 3P
C1527	1-102-038-00	CERAMIC	0.001MF	500V	D3	*1-566-054-11	PIN, CONNECTOR 2P
C1528	1-108-698-11	MYLAR	0.033MF 10%	200V	D4	*1-508-767-00	PIN, CONNECTOR (5MM PITCH) 5P
C1529	1-102-820-00	CERAMIC	330PF 5%	50V	D5	*1-506-348-99	PIN, CONNECTOR 4P
C1530	1-123-361-00	ELECT	220MF 20%	50V	D6	*1-508-767-00	PIN, CONNECTOR (5MM PITCH) 5P
C1531	1-125-494-11	ELECT (BLOCK)	560MF 20%	160V	D7	*1-566-056-11	PIN, CONNECTOR 4P
C1532	1-124-006-11	ELECT	10MF 20%	25V	D8	*1-508-765-00	PIN, CONNECTOR (5MM PITCH) 3P
C1533 $\Delta$	1-162-115-51	CERAMIC	330PF 10%	2KV	D9	*1-508-765-00	PIN, CONNECTOR (5MM PITCH) 3P
C1534 $\Delta$	1-136-330-11	FILM	0.014MF 3%	1.6KV	D10	*1-508-768-00	PIN, CONNECTOR (5MM PITCH) 6P
C1535	1-129-953-00	FILM	0.068MF 20%	1.5KV	D11	*1-508-768-00	PIN, CONNECTOR (5MM PITCH) 6P
C1536	1-123-333-00	ELECT	100MF 20%	16V	D12	*1-566-055-11	PIN, CONNECTOR 3P
C1537	1-123-333-00	ELECT	100MF 20%	16V	D15	*1-566-058-11	PIN, CONNECTOR 6P
C1539 $\Delta$	1-162-116-11	CERAMIC	680PF 10%	2KV	D27	*1-566-058-11	PIN, CONNECTOR 6P
C1540	1-162-115-00	CERAMIC	330PF 10%	2KV	D28	*1-566-057-11	PIN, CONNECTOR 5P
C1541	1-106-375-12	MYLAR	0.022MF 10%	100V	D29	*1-566-054-11	PIN, CONNECTOR 2P
C1542	1-136-541-11	FILM	1.5MF 5%	200V			
C1543	1-102-820-00	CERAMIC	330PF 5%	50V			
C1544	1-136-127-00	FILM	1MF 5%	400V			
C1549	1-108-626-11	MYLAR	0.01MF 10%	100V			
C1550	1-102-973-00	CERAMIC	100PF 5%	50V			
C1551	1-102-030-00	CERAMIC	330PF 10%	500V			
C1552	1-108-626-11	MYLAR	0.01MF 10%	100V			
C1553	1-123-379-00	ELECT	0.47MF 20%	50V			
C1554	1-108-626-11	MYLAR	0.01MF 10%	100V			
C1555	1-102-110-00	CERAMIC	220PF 10%	50V			
C1556	1-123-333-00	ELECT	100MF 20%	25V			
C1557	1-108-622-11	MYLAR	0.0047MF 10%	100V			
C1558	1-123-330-00	ELECT	22MF 20%	16V			
C1559	1-123-379-00	ELECT	0.47MF 20%	50V			
C1560	1-123-379-00	ELECT	0.47MF 20%	50V			
C1565	1-108-638-11	MYLAR	0.1MF 10%	100V			
C1566 $\Delta$	1-162-115-51	CERAMIC	330PF 10%	2KV			
C1567 $\Delta$	1-162-115-51	CERAMIC	330PF 10%	2KV			
C1568 $\Delta$	1-130-706-11	FILM	0.008MF 3%	1.6KV			
C1569 $\Delta$	1-129-747-11	FILM	0.047MF 10%	400V			
C1570	1-129-751-00	FILM	0.1MF 20%	400V			
C1571	1-102-030-00	CERAMIC	330PF 10%	500V			
C1572	1-123-321-00	ELECT	220MF 20%	16V			
C1576	1-123-332-00	ELECT	47MF 20%	25V			
C1577	1-124-963-11	ELECT	33MF 20%	16V			
C1578	1-106-375-12	MYLAR	0.022MF 10%	100V			
C1579	1-108-638-11	MYLAR	0.1MF 10%	100V			
C1585	1-123-357-00	ELECT	22MF 20%	50V			
C1586	1-108-621-11	MYLAR	0.0039MF 10%	100V			
C1587	1-131-351-00	TANTALUM	4.7MF 10%	35V			
C1591	1-124-768-11	ELECT	4.7MF 20%	50V			
C1592	1-108-692-11	MYLAR	0.01MF 10%	200V			
C1593	1-136-171-00	FILM	0.33MF 5%	50V			
C1595	1-123-381-00	ELECT	2.2MF 20%	50V			
C1596	1-123-369-00	ELECT	4.7MF 20%	50V			
C1597	1-136-175-00	FILM	0.68MF 5%	50V			
C1598	1-102-816-00	CERAMIC	120PF 5%	50V			
C1599	1-108-626-11	MYLAR	0.01MF 10%	100V			
C1601	1-108-626-11	MYLAR	0.01MF 10%	100V			
C1602	1-108-626-11	MYLAR	0.01MF 10%	100V			
C1603	1-108-626-11	MYLAR	0.01MF 10%	100V			
C1604	1-108-626-11	MYLAR	0.01MF 10%	100V			
C1605	1-123-381-00	ELECT	2.2MF 20%	50V			
C1606	1-124-360-00	ELECT	1000MF 20%	16V			
C1607	1-136-162-00	FILM	0.056MF 5%	50V			
		<CONNECTOR>					
D1	*1-508-766-00	PIN, CONNECTOR (5MM PITCH) 4P					
		<DIODE>					
D501	8-719-911-19	DIODE 1SS119					
D502	8-719-200-02	DIODE 10E-2					
D503	8-719-300-76	DIODE RH-1A					
D504	8-719-300-76	DIODE RH-1A					
D506	8-719-200-02	DIODE 10E-2					
D508	8-719-110-36	DIODE RD13ES-B2					
D510	8-719-109-88	DIODE RD5.6ES-B1					
D511	8-719-911-19	DIODE 1SS119					
D513	8-719-110-41	DIODE RD15ES-B2					
D520	8-719-190-00	DIODE RD24E-BZ7					
D521	8-719-911-19	DIODE 1SS119					
D522	8-719-101-61	DIODE RD6.2E-L2					
D1502	8-719-911-19	DIODE 1SS119					
D1503	8-719-110-41	DIODE RD15ES-B2					
D1508	8-719-911-19	DIODE 1SS119					
D1509	8-719-200-02	DIODE 10E-2					
D1510	8-719-300-76	DIODE RH-1A					
D1511	8-719-300-76	DIODE RH-1A					
D1512	8-719-300-76	DIODE RH-1A					
D1513	8-719-901-19	DIODE V11N					
D1515	8-719-200-02	DIODE 10E-2					
D1516	8-719-903-09	DIODE V30N					
D1517 $\Delta$	8-719-906-15	DIODE ERC26-15S					
D1517 $\Delta$	8-719-906-15	DIODE ERC26-15S					
D1518 $\Delta$	8-719-302-98	DIODE RG4C					
D1518 $\Delta$	8-719-302-98	DIODE RG4C					
D1525	8-719-911-19	DIODE 1SS119					
D1527	8-719-300-76	DIODE RH-1A					
D1528	8-719-945-81	DIODE ERC26-15SA					
D1529	8-719-300-76	DIODE RH-1A					
D1530	8-719-300-76	DIODE RH-1A					
D1531	8-719-300-38	DIODE GU-3A					
D1535	8-719-110-60	DIODE RD24ES-B					
D1536	8-719-109-81	DIODE RD4.7ES-B2					
D1537	8-719-109-93	DIODE RD6.2ES-B2					
D1538	8-719-911-19	DIODE 1SS119					
D1540	8-719-109-89	DIODE RD5.6ES-B2					
D1541	8-719-300-76	DIODE RH-1A					
		<IC>					
IC501	8-759-982-26	IC RC78L12A					
IC503	8-759-982-26	IC RC78L12A					
IC1501	8-759-100-60	IC UPCL1377C					
IC1502	8-759-981-95	IC RC4558S					
IC1503	8-759-981-95	IC RC4558S					

**PVM-2730QM**  
RM-668



REF. NO.	PART NO.	DESCRIPTION	REMARK
	*1-621-541-11	HD BOARD *****	
		<SWITCH>	
S996	1-570-145-11	SWITCH, SLIDE	
S997	1-570-145-11	SWITCH, SLIDE	
		*****	
	*1-633-571-11	U BOARD *****	
		<CAPACITOR>	
C1842	1-101-888-00	CERAMIC 68PF	5% 50V
C1843	1-102-816-00	CERAMIC 120PF	5% 50V
C1844	1-124-631-11	ELECT 47MF	20% 16V
C1845	1-124-477-11	ELECT 47MF	20% 16V
C1846	1-101-004-00	CERAMIC 0.01MF	50V
C1847	1-124-477-11	ELECT 47MF	20% 16V
C1848	1-101-004-00	CERAMIC 0.01MF	50V
		<DIODE>	
D1793	8-719-109-85	DIODE RD5.1ES-B2	
		<IC>	
IC1779	8-759-240-82	IC TC4082BP	
		<COIL>	
L1771	1-408-406-00	INDUCTOR 5.6UH	
L1772	1-408-409-00	INDUCTOR 10UH	
		<TRANSISTOR>	
Q1897	8-729-119-78	TRANSISTOR 2SC2785-HFE	
Q1898	8-729-119-76	TRANSISTOR 2SA1175-HFE	
Q1899	8-729-900-36	TRANSISTOR DTC124ES	
		<RESISTOR>	
R2812	1-249-406-11	CARBON 120	5% 1/4W
R2813	1-249-411-11	CARBON 330	5% 1/4W
R2814	1-249-418-11	CARBON 1.2K	5% 1/4W
R2815	1-249-417-11	CARBON 1K	5% 1/4W
R2816	1-249-430-11	CARBON 12K	5% 1/4W
R2817	1-249-419-11	CARBON 1.5K	5% 1/4W
R2818	1-249-430-11	CARBON 12K	5% 1/4W
R2819	1-249-433-11	CARBON 22K	5% 1/4W
R2820	1-249-431-11	CARBON 15K	5% 1/4W
R2821	1-249-421-11	CARBON 2.2K	5% 1/4W
R2822	1-249-433-11	CARBON 22K	5% 1/4W
R2823	1-249-431-11	CARBON 15K	5% 1/4W
R2824	1-249-441-11	CARBON 100K	5% 1/4W
R2825	1-249-419-11	CARBON 1.5K	5% 1/4W
R2826	1-249-411-11	CARBON 330	5% 1/4W
		<CONNECTOR>	
U1	*1-566-055-11	PIN, CONNECTOR 3P	
U2	*1-566-055-11	PIN, CONNECTOR 3P	
U3	*1-566-054-11	PIN, CONNECTOR 2P	

REF. NO.	PART NO.	DESCRIPTION	REMARK
U4	*1-566-057-11	PIN, CONNECTOR 5P	
		*****	
	*A-1375-066-A	HC BOARD, COMPLETE *****	
		<CAPACITOR>	
C982	1-130-729-00	FILM 0.0027MF	5% 50V
C983	1-130-734-00	FILM 0.0068MF	5% 50V
C984	1-130-483-00	MYLAR 0.01MF	5% 50V
C985	1-126-157-11	ELECT 10MF	20% 16V
C986	1-123-356-00	ELECT 10MF	20% 25V
		<DIODE>	
D971	8-719-109-85	DIODE RD5.1ES-B2	
		<CONNECTOR>	
HC1	*1-566-057-11	PIN, CONNECTOR 5P	
HC2	*1-566-056-11	PIN, CONNECTOR 4P	
HC3	*1-566-054-11	PIN, CONNECTOR 2P	
HC4	*1-566-054-11	PIN, CONNECTOR 2P	
		<IC>	
IC985	8-759-933-23	IC BA236	
		<RESISTOR>	
R982	1-249-429-11	CARBON 10K	5% 1/4W
R983	1-249-417-11	CARBON 1K	5% 1/4W
R984	1-249-429-11	CARBON 10K	5% 1/4W
R985	1-249-417-11	CARBON 1K	5% 1/4W
R986	1-249-429-11	CARBON 10K	5% 1/4W
R988	1-249-405-11	CARBON 100	5% 1/4W
R989	1-249-417-11	CARBON 1K	5% 1/4W
R990	1-249-432-11	CARBON 18K	5% 1/4W
R991	1-249-408-11	CARBON 180	5% 1/4W
R992	1-249-427-11	CARBON 6.8K	5% 1/4W
R993	1-249-418-11	CARBON 1.2K	5% 1/4W
R994	1-249-420-11	CARBON 1.8K	5% 1/4W
		<VARIABLE RESISTOR>	
RV982	1-237-349-11	RES, VAR, CARBON 10K	
RV983	1-237-712-11	RES, VAR, CARBON 10K	
RV984	1-237-712-11	RES, VAR, CARBON 10K	
RV985	1-237-350-11	RES, VAR, CARBON 20K	
RV986	1-228-995-00	RES, ADJ, CARBON 22K	
RV987	1-237-348-11	RES, VAR, CARBON 5K	
		*****	
	*A-1380-192-A	K BOARD, COMPLETE *****	
	4-309-378-00	WASHER	
		<CAPACITOR>	
C201	1-123-379-00	ELECT 0.47MF	20% 50V
C202	1-123-379-00	ELECT 0.47MF	20% 50V
C203	1-124-477-11	ELECT 47MF	20% 16V



The components identified by shading and mark  $\Delta$  are critical for safety.  
Replace only with part number specified.

**PVM-2730QM**  
RM-668

**D**

REF.NO.	PART NO.	DESCRIPTION	REMARK	REF.NO.	PART NO.	DESCRIPTION	REMARK
R1501	1-249-411-11	CARBON	330 5% 1/4W	R1577	1-249-425-11	CARBON	4.7K 5% 1/4W
R1502	1-247-723-11	CARBON	6.8K 5% 1/4W	R1578	1-202-723-00	SOLID	2.2M 10% 1/2W
R1503	1-249-405-11	CARBON	100 5% 1/4W	R1579	1-247-718-11	CARBON	2.7K 5% 1/4W
R1504	1-249-435-11	CARBON	33K 5% 1/4W	R1580	1-249-439-11	CARBON	68K 5% 1/4W
R1505	1-249-436-11	CARBON	39K 5% 1/4W	R1581	1-249-441-11	CARBON	100K 5% 1/4W
R1506	1-247-894-11	CARBON	430K 5% 1/4W	R1582	1-249-429-11	CARBON	10K 5% 1/4W
R1507	1-249-462-11	CARBON	22K 5% 1/4W	R1583	1-249-427-11	CARBON	6.8K 5% 1/4W
R1508	1-249-429-11	CARBON	10K 5% 1/4W	R1584	1-249-421-11	CARBON	2.2K 5% 1/4W
R1509	1-249-405-11	CARBON	100 5% 1/4W	R1585	1-247-713-11	CARBON	1K 5% 1/4W
R1510	1-249-433-11	CARBON	22K 5% 1/4W	R1588	1-215-871-11	METAL OXIDE	2.2K 5% 1W F
R1511	1-247-881-00	CARBON	120K 5% 1/4W	R1589	1-247-726-11	CARBON	33K 5% 1/4W
R1512	1-249-440-11	CARBON	82K 5% 1/4W	R1590	1-247-726-11	CARBON	33K 5% 1/4W
R1513	1-249-425-11	CARBON	4.7K 5% 1/4W	R1592	1-214-779-00	METAL	120K 1% 1/4W
R1514	1-247-868-11	CARBON	36K 5% 1/4W	R1593	1-214-781-00	METAL	150K 1% 1/4W
R1516	1-249-430-11	CARBON	12K 5% 1/4W	R1594	1-247-722-11	CARBON	5.6K 5% 1/4W
R1518	1-249-429-11	CARBON	10K 5% 1/4W	R1595	1-214-777-00	METAL	100K 1% 1/4W
R1520	1-249-435-11	CARBON	33K 5% 1/4W	R1597	1-214-752-00	METAL	9.1K 1% 1/4W
R1521	1-247-701-11	CARBON	120 5% 1/4W	R1598	1-214-749-00	METAL	6.8K 1% 1/4W
R1525	1-247-723-11	CARBON	6.8K 5% 1/4W	R1599	1-247-883-00	CARBON	150K 5% 1/4W
R1530	1-247-700-11	CARBON	100 5% 1/4W	R1600	1-249-405-11	CARBON	100 5% 1/4W
R1531	1-247-713-11	CARBON	1K 5% 1/4W F	R1601	1-246-531-00	CARBON	270K 5% 1/4W
R1532	1-215-922-11	METAL OXIDE	6.8K 5% 3W F	R1602	1-247-887-00	CARBON	220K 5% 1/4W
R1532A	1-215-922-11	METAL OXIDE	6.8K 5% 3W F	R1603	1-247-725-11	CARBON	10K 5% 1/4W
R1533	1-247-721-11	CARBON	4.7K 5% 1/4W	R1604	1-247-725-11	CARBON	10K 5% 1/4W
R1534	1-215-918-00	METAL OXIDE	1.5K 5% 3W F	R1605	1-247-725-11	CARBON	10K 5% 1/4W
R1534A	1-216-482-11	METAL OXIDE	1.8K 5% 3W F	R1606	1-247-725-11	CARBON	10K 5% 1/4W
R1535	1-216-388-11	METAL OXIDE	0.82 5% 3W F	R1607	1-247-725-11	CARBON	10K 5% 1/4W
R1536	1-247-697-11	CARBON	56 5% 1/4W	R1608	1-249-469-11	CARBON	100K 5% 1/4W
R1537	1-249-385-11	CARBON	2.2 5% 1/4W F	R1609	1-249-433-11	CARBON	22K 5% 1/4W
R1538	1-249-385-11	CARBON	2.2 5% 1/4W F	R1610	1-247-725-11	CARBON	10K 5% 1/4W
R1539	1-216-434-11	METAL OXIDE	1.8K 5% 1W F	R1611	1-249-433-11	CARBON	22K 5% 1/4W
R1541	1-215-915-11	METAL OXIDE	470 5% 3W F	R1612	1-249-422-11	CARBON	2.7K 5% 1/4W
R1541A	1-216-479-11	METAL OXIDE	560 5% 3W F	R1613	1-249-451-11	CARBON	2.2 5% 1/4W F
R1542	1-215-880-00	METAL OXIDE	10 5% 2W F	R1614	1-247-700-11	CARBON	100 5% 1/4W
R1543	1-215-869-11	METAL OXIDE	1K 5% 1W F	R1617	1-249-469-11	CARBON	100K 5% 1/4W
R1544	1-216-448-11	METAL OXIDE	39 5% 2W F	<VARIABLE RESISTOR>			
R1545	1-247-693-11	CARBON	27 5% 1/4W	RV501	1-228-717-00	RES, ADJ, CERAMIC CARBON	220
R1546	1-216-371-00	METAL OXIDE	1.5 5% 2W F	RV503	1-228-727-00	RES, ADJ, CERAMIC CARBON	47K
R1547	1-247-697-11	CARBON	56 5% 1/4W	RV1501	1-228-723-00	RES, ADJ, CERAMIC CARBON	4.7K
R1548	1-249-382-11	CARBON	1.2 5% 1/4W F	RV1503	1-228-720-00	RES, ADJ, CERAMIC CARBON	1K
R1549	1-249-382-11	CARBON	1.2 5% 1/4W F	RV1505	1-228-720-00	RES, ADJ, CERAMIC CARBON	1K
R1552	1-247-725-11	CARBON	10K 5% 1/4W	RV1506	1-228-727-00	RES, ADJ, CERAMIC CARBON	47K
R1553	1-249-425-11	CARBON	4.7K 5% 1/4W F	RV1510	1-228-720-00	RES, ADJ, CERAMIC CARBON	1K
R1554	1-247-705-11	CARBON	270 5% 1/4W	RV1511	1-228-729-00	RES, ADJ, CERAMIC CARBON	220K
R1555	1-249-465-11	CARBON	47K 5% 1/4W	<SPARK GAP>			
R1556	1-249-425-11	CARBON	4.7K 5% 1/4W	SG1501	1-519-063-99	DISCHARGING GAP	
R1557	1-249-429-11	CARBON	10K 5% 1/4W	<TRANSFORMER>			
R1558	1-249-425-11	CARBON	4.7K 5% 1/4W	T1501 $\Delta$	1-437-089-11	TRANSFORMER, HORIZONTAL DRIVE	
R1559	1-249-417-11	CARBON	1K 5% 1/4W	T1502	1-437-089-00	TRANSFORMER, HORIZONTAL DRIVE	
R1560	1-247-862-11	CARBON	20K 5% 1/4W	T1503 $\Delta$	1-439-356-11	HOT	
R1561	1-214-746-00	METAL	5.1K 1% 1/4W	T1513 $\Delta$	1-421-388-11	LOT	
R1562	1-247-713-11	CARBON	1K 5% 1/4W	<THERMISTOR>			
R1563	1-249-422-11	CARBON	2.7K 5% 1/4W	TH501	1-800-070-99	THERMISTOR TH-4700	
R1564	1-249-405-11	CARBON	100 5% 1/4W F	*****			
R1565	1-249-462-11	CARBON	22K 5% 1/4W				
R1566	1-249-439-11	CARBON	68K 5% 1/4W				
R1567	1-249-435-11	CARBON	33K 5% 1/4W				
R1568	1-247-713-11	CARBON	1K 5% 1/4W				
R1571	1-249-382-11	CARBON	1.2 5% 1/4W F				
R1572	1-249-448-11	CARBON	1.2 5% 1/4W F				
R1573	1-249-382-11	CARBON	1.2 5% 1/4W F				
R1574	1-216-424-11	METAL OXIDE	39 5% 1W F				
R1575	1-249-382-11	CARBON	1.2 5% 1/4W F				
R1576	1-215-869-11	METAL OXIDE	1K 5% 1W F				



REF. NO.	PART NO.	DESCRIPTION	REMARK	REF. NO.	PART NO.	DESCRIPTION	REMARK
C204	1-124-477-11	ELECT	47MF 20%			<COIL>	
C205	1-130-496-00	MYLAR	0.12MF 5%				
C206	1-102-125-00	CERAMIC	0.0047MF 10%	L201	1-408-424-00	INDUCTOR 180UH	
C207	1-102-125-00	CERAMIC	0.0047MF 10%			<TRANSISTOR>	
C208	1-130-496-00	MYLAR	0.12MF 5%				
C209	1-123-369-00	ELECT	4.7MF 20%	Q201	8-729-178-55	TRANSISTOR 2SC2785-E	
C210	1-123-369-00	ELECT	4.7MF 20%	Q204	8-729-178-55	TRANSISTOR 2SC2785-E	
C211	1-123-369-00	ELECT	4.7MF 20%	Q205	8-729-178-55	TRANSISTOR 2SC2785-E	
C212	1-123-369-00	ELECT	4.7MF 20%	Q206	8-729-119-76	TRANSISTOR 2SA1175-HFE	
C213	1-124-120-11	ELECT	220MF 20%	Q209	8-729-119-76	TRANSISTOR 2SA1175-HFE	
C218	1-124-360-00	ELECT	1000MF 20%	Q211	8-729-140-96	TRANSISTOR 2SD774-34	
C219	1-126-101-11	ELECT	100MF 20%			<RESISTOR>	
C220	1-123-379-00	ELECT	0.47MF 20%	R201	1-249-441-11	CARBON 100K 5%	1/4W
C221	1-123-379-00	ELECT	0.47MF 20%	R202	1-249-441-11	CARBON 100K 5%	1/4W
C222	1-162-283-31	CERAMIC	120PF 10%	R203	1-249-419-11	CARBON 1.5K 5%	1/4W
C223	1-162-283-31	CERAMIC	120PF 10%	R204	1-249-429-11	CARBON 10K 5%	1/4W
C224	1-124-963-11	ELECT	33MF 20%	R205	1-249-430-11	CARBON 12K 5%	1/4W
C225	1-124-477-11	ELECT	47MF 20%	R206	1-249-430-11	CARBON 12K 5%	1/4W
C227	1-108-816-11	MYLAR	0.1MF 5%	R207	1-249-419-11	CARBON 1.5K 5%	1/4W
C228	1-123-379-00	ELECT	0.47MF 20%	R208	1-249-419-11	CARBON 1.5K 5%	1/4W
C229	1-123-379-00	ELECT	0.47MF 20%	R211	1-249-420-11	CARBON 1.8K 5%	1/4W
C230	1-162-283-31	CERAMIC	120PF 10%	R221	1-249-403-11	CARBON 68 5%	1/4W F
C231	1-162-283-31	CERAMIC	120PF 10%	R222	1-249-429-11	CARBON 10K 5%	1/4W
C232	1-124-963-11	ELECT	33MF 20%	R223	1-249-432-11	CARBON 18K 5%	1/4W
C233	1-124-477-11	ELECT	47MF 20%	R224	1-249-437-11	CARBON 47K 5%	1/4W
C235	1-108-816-11	MYLAR	0.1MF 5%	R225	1-249-409-11	CARBON 220 5%	1/4W
C236	1-124-471-00	ELECT	1000MF 20%	R227	1-249-430-11	CARBON 12K 5%	1/4W
C237	1-102-074-00	CERAMIC	0.001MF 10%	R228	1-249-390-11	CARBON 5.6 5%	1/4W F
C238	1-102-074-00	CERAMIC	0.001MF 10%	R229	1-249-429-11	CARBON 10K 5%	1/4W
C239	1-101-006-00	CERAMIC	0.047MF 50V	R230	1-249-432-11	CARBON 18K 5%	1/4W
C240	1-101-006-00	CERAMIC	0.047MF 50V	R231	1-249-437-11	CARBON 47K 5%	1/4W
C241	1-101-006-00	CERAMIC	0.047MF 50V	R232	1-249-409-11	CARBON 220 5%	1/4W
C242	1-125-296-00	ELECT (BLOCK)	4700MF 35V	R234	1-249-430-11	CARBON 12K 5%	1/4W
C243	1-125-296-00	ELECT (BLOCK)	4700MF 35V	R235	1-249-390-11	CARBON 5.6 5%	1/4W F
C244	1-124-477-11	ELECT	47MF 20%	R236	1-249-429-11	CARBON 10K 5%	1/4W
C246	1-123-356-00	ELECT	10MF 20%	R237	1-249-429-11	CARBON 10K 5%	1/4W
C251	1-123-356-00	ELECT	10MF 20%	R238	1-249-423-11	CARBON 3.3K 5%	1/4W
C252	1-123-875-11	ELECT	10MF 20%	R239	1-249-437-11	CARBON 47K 5%	1/4W
C253	1-123-875-11	ELECT	10MF 20%	R240	1-249-430-11	CARBON 12K 5%	1/4W
		<DIODE>		R241	1-249-441-11	CARBON 100K 5%	1/4W
D201	8-719-109-93	DIODE RD6.2ES-B2		R242	1-249-429-11	CARBON 10K 5%	1/4W
D202	8-719-911-19	DIODE 1SS119		R243	1-249-417-11	CARBON 1K 5%	1/4W
D203	8-719-110-36	DIODE RD13ES-B2		R244	1-249-417-11	CARBON 1K 5%	1/4W
D204	8-719-110-36	DIODE RD13ES-B2		R245	1-249-417-11	CARBON 1K 5%	1/4W
		<IC>		R246	1-249-417-11	CARBON 1K 5%	1/4W
IC201	8-759-276-30	IC TA7630P		R252	1-249-419-11	CARBON 1.5K 5%	1/4W
IC204	8-759-111-88	IC UPC1188H		R257	1-249-423-11	CARBON 3.3K 5%	1/4W
IC205	8-759-111-88	IC UPC1188H		R280	1-249-449-11	CARBON 1.5 5%	1/4W
		<CONNECTOR>		*****			
K1	*1-566-057-11	PIN, CONNECTOR 5P		*9-992-247-01 HA BOARD (KEY BOARD UNIT A)			
K2	*1-508-767-00	PIN, CONNECTOR (5MM PITCH) 5P		*****			
K3	*1-566-056-11	PIN, CONNECTOR 4P				<DIODE>	
K4	*1-566-054-11	PIN, CONNECTOR 2P		D905	8-719-911-19	DIODE 1SS119	
K5	*1-508-765-00	PIN, CONNECTOR (5MM PITCH) 3P		D906	8-719-911-19	DIODE 1SS119	
K7	*1-566-054-11	PIN, CONNECTOR 2P		D907	8-719-911-19	DIODE 1SS119	
				D908	8-719-911-19	DIODE 1SS119	
				D909	8-719-911-19	DIODE 1SS119	
				D910	8-719-911-19	DIODE 1SS119	
				D911	9-990-893-01	LED TLY263P	

**PVM-2730QM**  
RM-668



REF.NO.	PART NO.	DESCRIPTION	REMARK
D912	9-990-893-01	LED TLY263P	
D913	9-990-893-01	LED TLY263P	
D914	9-990-893-01	LED TLY263P	
D915	9-990-893-01	LED TLY263P	
D916	9-990-893-01	LED TLY263P	
D917	9-990-893-01	LED TLY263P	
D918	9-990-893-01	LED TLY263P	
D919	9-990-893-01	LED TLY263P	
D920	9-990-893-01	LED TLY263P	
D921	9-990-893-01	LED TLY263P	
D922	9-990-893-01	LED TLY263P	
D923	9-990-893-01	LED TLY263P	
D924	9-990-893-01	LED TLY263P	
D925	9-990-893-01	LED TLY263P	
D926	9-990-893-01	LED TLY263P	
D927	9-990-893-01	LED TLY263P	
D928	9-990-893-01	LED TLY263P	
D929	9-990-893-01	LED TLY263P	
D930	9-990-893-01	LED TLY263P	
D931	9-990-893-01	LED TLY263P	
<RESISTOR>			
R905	1-247-700-11	CARBON	100 5% 1/4W
R906	1-247-704-11	CARBON	220 5% 1/4W
R907	1-247-700-11	CARBON	100 5% 1/4W
R908	1-247-704-11	CARBON	220 5% 1/4W
R909	1-247-700-11	CARBON	100 5% 1/4W
R910	1-247-704-11	CARBON	220 5% 1/4W
R911	1-247-700-11	CARBON	100 5% 1/4W
R912	1-247-704-11	CARBON	220 5% 1/4W
R913	1-247-700-11	CARBON	100 5% 1/4W
R914	1-247-704-11	CARBON	220 5% 1/4W
R915	1-247-700-11	CARBON	100 5% 1/4W
R916	1-247-704-11	CARBON	220 5% 1/4W
R917	1-247-704-11	CARBON	220 5% 1/4W
R918	1-247-704-11	CARBON	220 5% 1/4W
R919	1-247-704-11	CARBON	220 5% 1/4W
<SWITCH>			
S905	1-553-766-00	MT SWITCH (KEY BOARD SWITCH)	
S906	1-553-766-00	MT SWITCH (KEY BOARD SWITCH)	
S907	1-553-766-00	MT SWITCH (KEY BOARD SWITCH)	
S908	1-553-766-00	MT SWITCH (KEY BOARD SWITCH)	
S909	1-553-766-00	MT SWITCH (KEY BOARD SWITCH)	
S910	1-553-766-00	MT SWITCH (KEY BOARD SWITCH)	
S911	1-553-766-00	MT SWITCH (KEY BOARD SWITCH)	
S912	1-553-766-00	MT SWITCH (KEY BOARD SWITCH)	
S913	1-553-766-00	MT SWITCH (KEY BOARD SWITCH)	
S914	1-553-766-00	MT SWITCH (KEY BOARD SWITCH)	
S915	1-553-766-00	MT SWITCH (KEY BOARD SWITCH)	
*****			
*9-992-243-01	HB BOARD (KEY BOARD UNIT B)	*****	
<DIODE>			
D940	8-719-911-19	DIODE 1SS119	
D941	8-719-911-19	DIODE 1SS119	
D942	8-719-911-19	DIODE 1SS119	
D943	8-719-911-19	DIODE 1SS119	
D944	8-719-911-19	DIODE 1SS119	

REF.NO.	PART NO.	DESCRIPTION	REMARK
D945	8-719-911-19	DIODE 1SS119	
D946	8-719-911-19	DIODE 1SS119	
D947	8-719-911-19	DIODE 1SS119	
D948	9-990-901-01	LED TLS263P	
D949	9-990-901-01	LED TLS263P	
D950	9-990-893-01	LED TLY263P	
D951	9-990-893-01	LED TLY263P	
D952	9-990-893-01	LED TLY263P	
D953	9-990-893-01	LED TLY263P	
D954	9-990-893-01	LED TLY263P	
D955	9-990-893-01	LED TLY263P	
D956	9-990-893-01	LED TLY263P	
D957	9-990-893-01	LED TLY263P	
D958	9-990-893-01	LED TLY263P	
D959	9-990-893-01	LED TLY263P	
D960	9-990-893-01	LED TLY263P	
D961	9-990-893-01	LED TLY263P	
D962	9-990-893-01	LED TLY263P	
D963	9-990-893-01	LED TLY263P	
D964	9-990-893-01	LED TLY263P	
D965	9-990-893-01	LED TLY263P	
D968	9-990-901-01	LED TLS263P	
<RESISTOR>			
R940	1-247-703-11	CARBON	180 5% 1/4W
R941	1-247-700-11	CARBON	100 5% 1/4W
R942	1-247-704-11	CARBON	220 5% 1/4W
R943	1-247-700-11	CARBON	100 5% 1/4W
R944	1-247-704-11	CARBON	220 5% 1/4W
R945	1-247-700-11	CARBON	100 5% 1/4W
R946	1-247-700-11	CARBON	100 5% 1/4W
R947	1-247-700-11	CARBON	100 5% 1/4W
R948	1-247-700-11	CARBON	100 5% 1/4W
R949	1-247-700-11	CARBON	100 5% 1/4W
R950	1-247-700-11	CARBON	100 5% 1/4W
R951	1-247-700-11	CARBON	100 5% 1/4W
<SWITCH>			
S940	1-553-766-00	MT SWITCH (KEY BOARD SWITCH)	
S941	1-553-766-00	MT SWITCH (KEY BOARD SWITCH)	
S942	1-553-766-00	MT SWITCH (KEY BOARD SWITCH)	
S943	1-553-766-00	MT SWITCH (KEY BOARD SWITCH)	
S944	1-553-766-00	MT SWITCH (KEY BOARD SWITCH)	
S945	1-553-766-00	MT SWITCH (KEY BOARD SWITCH)	
S946	1-553-766-00	MT SWITCH (KEY BOARD SWITCH)	
S947	1-553-766-00	MT SWITCH (KEY BOARD SWITCH)	
S948	1-553-766-00	MT SWITCH (KEY BOARD SWITCH)	
S949	1-553-766-00	MT SWITCH (KEY BOARD SWITCH)	
*****			
*9-990-898-01	N BOARD (KEY BOARD UNIT B)	*****	
<IC>			
IC935	8-741-138-70	IC BX-1387 (DETECTOR)	
*****			



The components identified by shading and mark  $\Delta$  are critical for safety.  
Replace only with part number specified.

REF.NO.	PART NO.	DESCRIPTION	REMARK
MISCELLANEOUS *****			
	$\Delta$ 1-230-712-22	RESISTOR ASSY, HIGH-VOLTAGE	
	$\Delta$ 1-426-278-22	COIL, DEMAGNETIZATION	
	$\Delta$ 1-451-255-23	DEFLECTION YOKE (Y27FXA)	
	1-452-032-00	MAGNET, DISK; 10MM $\phi$	
	1-452-094-00	MAGNET, ROTATABLE DISK; 15MM $\phi$	
	1-452-146-21	MAGNET, BMC	
	$\Delta$ 1-452-351-22	NECK ASSY, PICTURE TUBE (NA302)	
	1-464-792-11	KEY BOARD UNIT (A)	
	1-464-793-11	KEY BOARD UNIT (B)	
	$\Delta$ 1-534-820-13	POWER CORD (AEP, AUS ONLY)	
	1-559-409-11	CORD POWER (WG ONLY)	
	*1-941-403-25	CONNECTOR ASSY, MICRO 13P	
	*1-941-403-26	CONNECTOR ASSY, MICRO 9P	
	*1-941-403-27	CONNECTOR ASSY, MICRO 7P	
S1901	$\Delta$ 1-554-966-12	SWITCH, PUSH (AC POWER) (1 KEY)	
T1691	$\Delta$ 1-439-339-14	TRANSFORMER ASSY, FLYBACK	
V901	$\Delta$ 8-736-652-05	PICTURE TUBE (A64JKJ10X) (AEP, WG ONLY)	
	$\Delta$ 8-736-654-05	PICTURE TUBE (A64JKJ10X) (AUS ONLY)	
*****			
ACCESSORIES AND PACKING MATERIALS *****			
PART NO.	DESCRIPTION	REMARK	
A-1470-789-A	COMMANDER ASSY (RM-668)		
*4-371-192-01	CUSHION (FRONT)		
*4-382-051-01	CUSHION (LOWER) (ASSY)		
*4-382-053-01	CUSHION (UPPER) (ASSY)		
4-482-400-11	MANUAL, INSTRUCTION		
*4-384-027-01	BAG, PROTECTION		
*4-385-601-01	INDIVIDUAL CARTON		

**PVM-2730QM**  
RM-668